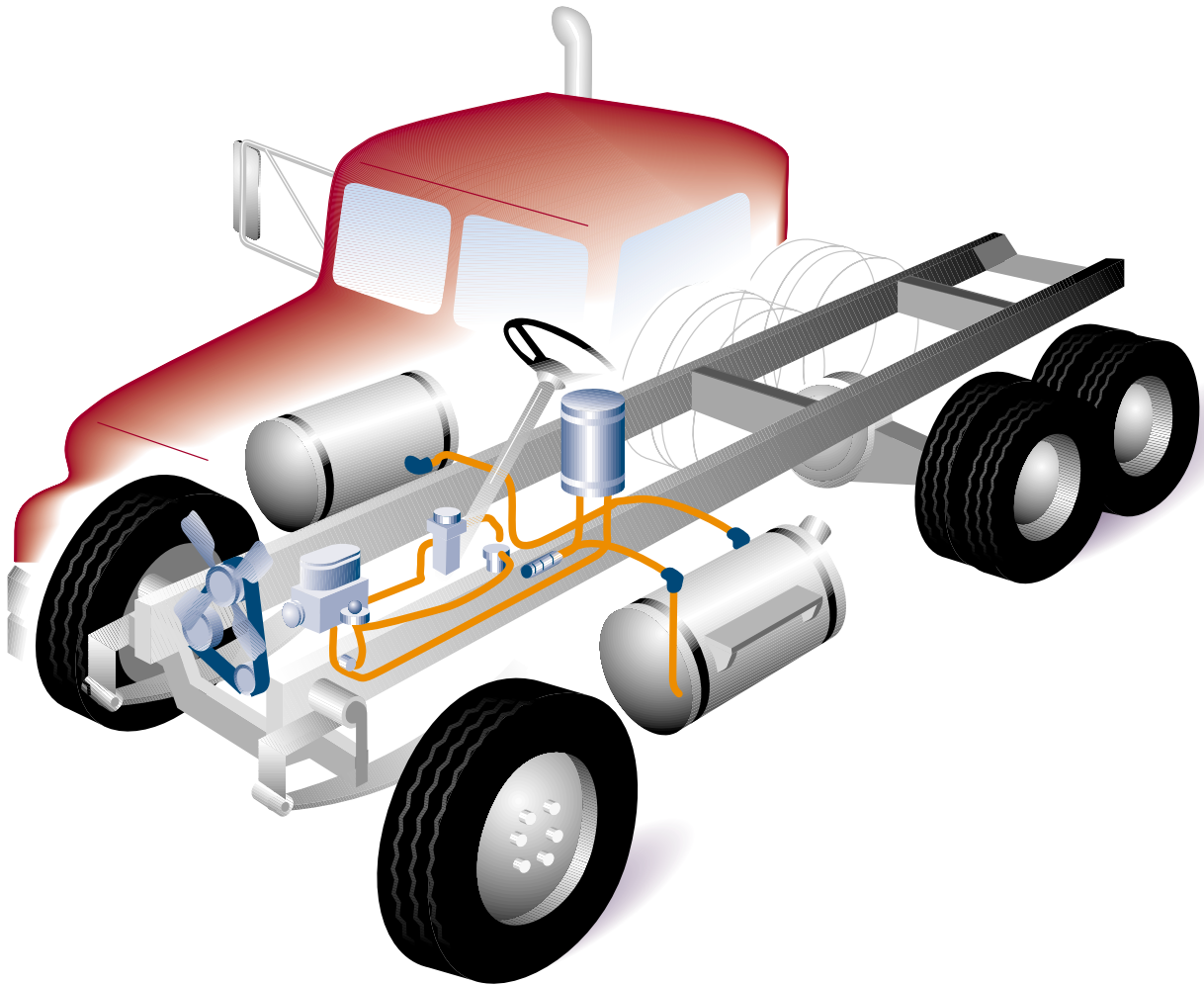


# Fuel and Lube Oil Systems



---

## FC498 Engine and Truck Hose

### Features:

- AQP® elastomer tube and cover
- SAE 100R6 construction
- Standard global OTC crimp fittings

### Benefits:

- Excellent temperature range for extended performance (-40°F to +300°F / -40°C to +150°C)
- Lightweight, flexible construction for ease of routing and installation
- Worldwide fitting selection and availability

# Aeroquip FC498

## AQP<sup>®</sup> Engine and Truck Hose



### Specifications and Performance:

(Exceeds SAE 100R6)

Part Number	Hose I.D. (mm/inch)	Hose O.D. (mm/inch)	Max. Oper. Press. (Bar/psi)	Min. Burst Press. (Bar/psi)	Min. Bend Radius (mm/inch)
FC498-04	6.6/.25	12.7/.50	27/400	108/1600	63.5/2.50
FC498-06	9.5/.38	15.9/.62	27/400	108/1600	76.2/3.00
FC498-08	12.7/.50	19.8/.78	27/400	108/1600	101.6/4.00
FC498-10	15.9/.62	23.1/.91	24/350	96/1400	127.0/5.00
FC498-12	19.1/.75	26.2/1.03	24/350	96/1400	177.8/7.00

#### Operating Temperature Range:

- -40°F to +300°F  
(-40°C to +150°C)

#### Vacuum Rating (in/Hg):

- 28 (sizes -04 through -08)
- 18 (sizes -10 and -12)



**Eaton Aeroquip**  
 Industrial Division  
 3000 Strayer Road, P.O. Box 631  
 Maumee, Ohio 43537-0631  
 419/867-2600, Fax: 419/867-2629  
[www.aeroquip.com](http://www.aeroquip.com)



*Specifications subject to change without notice*