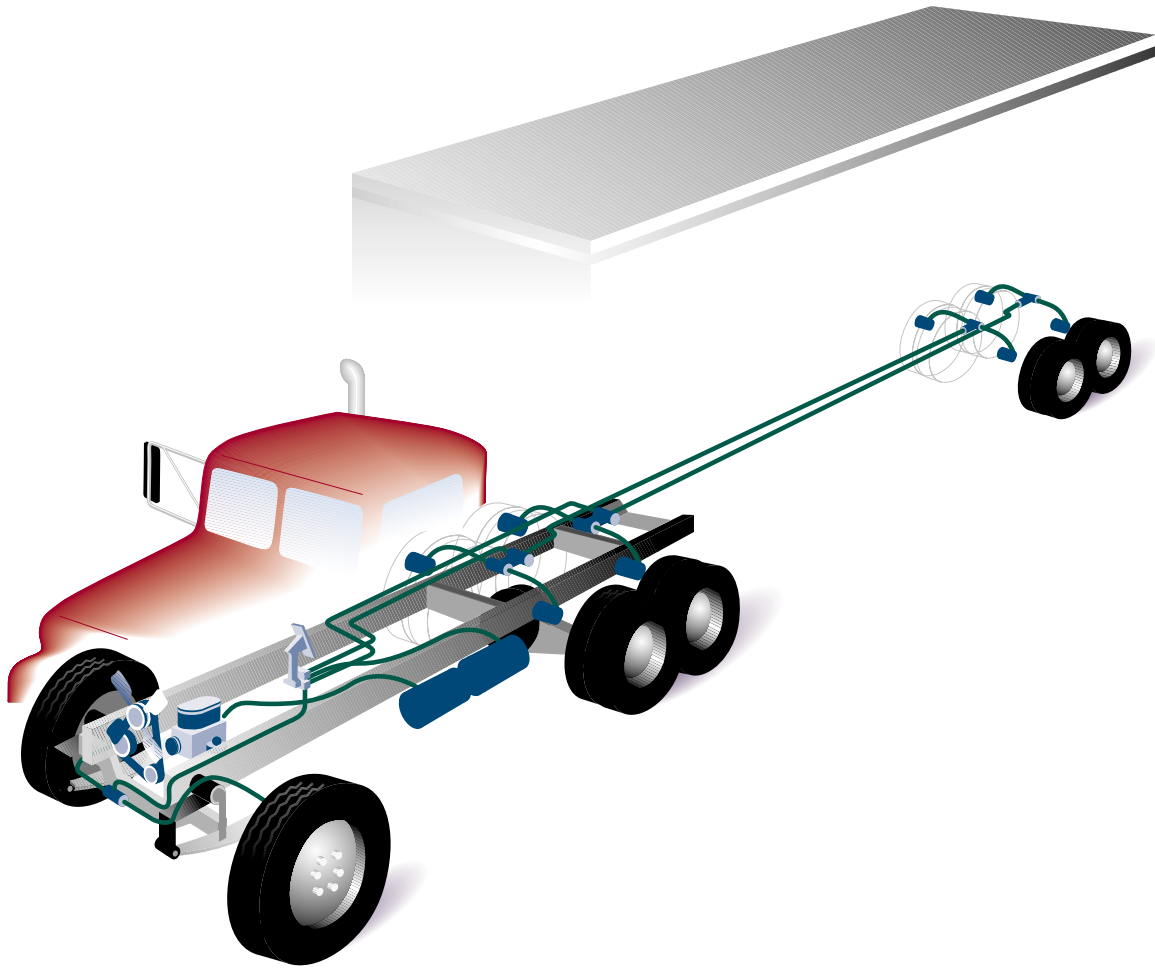


Compressor Air Brake Systems



FC629 Air Brake Hose

Features:

- Synthetic rubber tube and cover
- Single textile braid reinforcement
- Low profile crimp fittings

Benefits:

- Proven heavy-duty elastomers
- Superior flexibility for ease of routing and installation
- Lightweight, low cost design

Aeroquip FC629 Air Brake Hose



Specifications and Performance:

(Meets SAE J1402 DOT/FMVSS 106 Type All requirements)

Part Number	Hose I.D. (mm/inch)	Hose O.D. (mm/inch)	Max. Oper. Press. (Bar/psi)	Min. Burst Press. (Bar/psi)	Min. Bend Radius (mm/inch)
FC629-06	9.5/.38	19.1/.75	16/225	64/900	44.5/1.75
FC629-08	12.7/.50	22.4/.88	16/225	64/900	50.8/2.00
FC629-10	15.9/.63	26.9/1.06	16/225	64/900	57.2/2.25

Operating Temperature Range:

- -40°F to +212°F
(-40°C to +100°C)

Applications:

- Tractor to trailer lines
- Frame to axle chamber lines
- Tractor service lines



Eaton Aeroquip
Industrial Division
3000 Strayer Road, P.O. Box 631
Maumee, Ohio 43537-0631
419/867-2600, Fax: 419/867-2629
www.aeroquip.com

