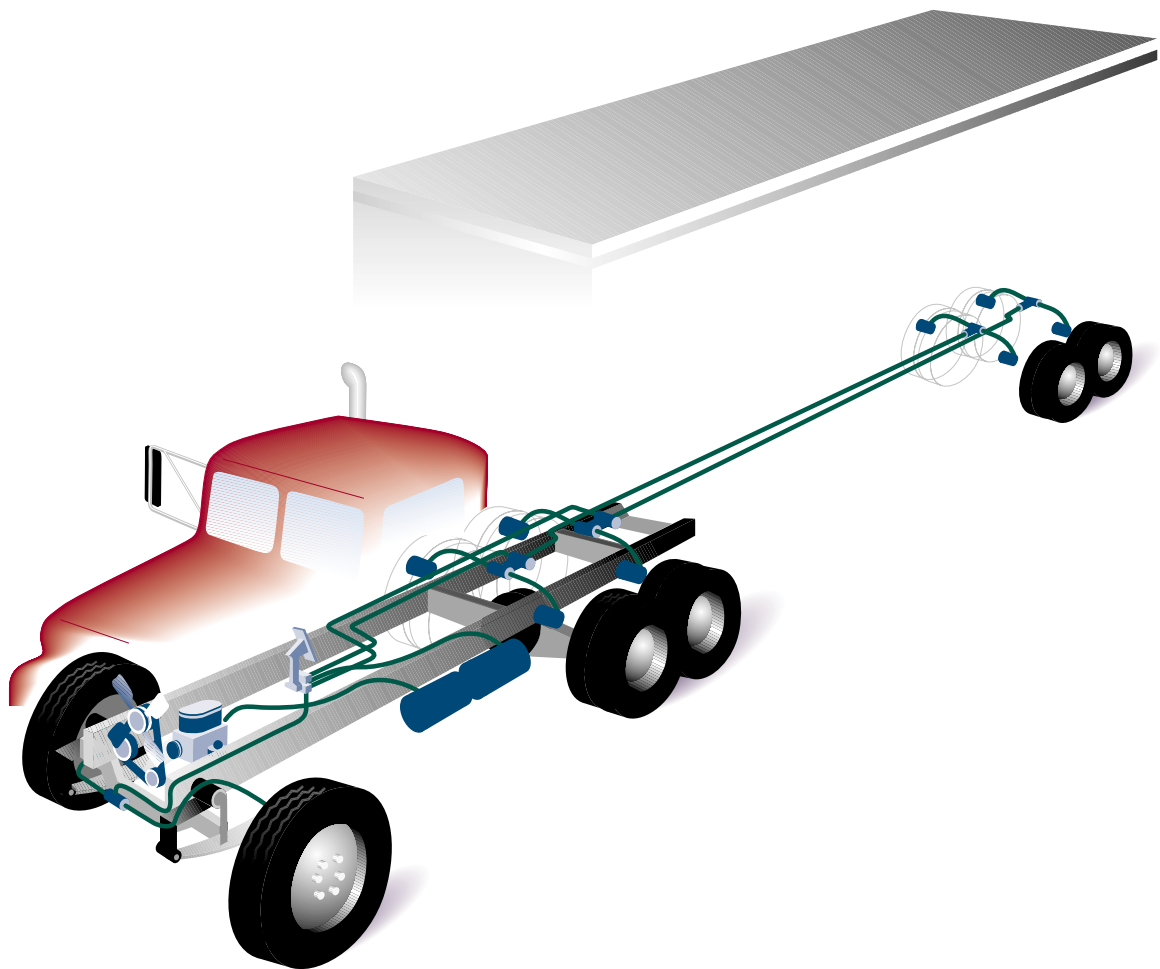


# Compressor Air Brake Systems



---

## FC186 Compressor Discharge Hose

### Features:

- Extruded Teflon\* tube
- Stainless steel braid reinforcement
- Standard crimp and screw-together reusable fittings

### Benefits:

- Excellent temperature performance (-65°F to +400°F / -54°C to +204°C) for air compressor discharge applications
- Excellent abrasion and corrosion resistance
- Wide selection of available fitting designs



\* Teflon is a trademark of DuPont

---

# Aeroquip FC186

## Compressor Discharge Hose



### Specifications and Performance:

Part Number	Hose I.D. (mm/inch)	Hose O.D. (mm/inch)	Max. Oper. Press. (Bar/psi)	Min. Burst Press. (Bar/psi)	Min. Bend Radius (mm/inch)
FC186-04	4.8/.19	7.6/.30	69/1000	414/6000	50.8/2.00
FC186-05	6.6/.26	9.4/.37	69/1000	414/6000	76.2/3.00
FC186-06	8.1/.32	10.9/.43	69/1000	414/6000	101.6/4.00
FC186-08	10.7/.42	13.7/.54	52/750	312/4500	133.4/5.25
FC186-10	13.0/.51	16.0/.63	41/600	276/4000	165.1/6.50
FC186-12	16.3/.64	19.3/.76	41/600	276/4000	196.9/7.75

#### Operating Temperature Range:

- -65°F to +400°F  
(-54°C to +204°C)

#### Vacuum Rating (in/Hg):

- 28

CAUTION: Internal support coils must be used for -06 and larger hoses when used in applications where there will be extended or continuous service at high temperature with low or negative pressure. Unsupported hose may collapse in this application with a potential for property damage.



#### Aeroquip Corporation

Aeroquip Industrial Group  
1695 Indian Wood Circle, P.O. Box 700, Maumee, Ohio 43537-0700  
419/891-5100, Fax: 419/891-7890, [www.aeroquip.com](http://www.aeroquip.com)

Specifications are subject to change without notice / Aeroquip products are protected by patents internationally.