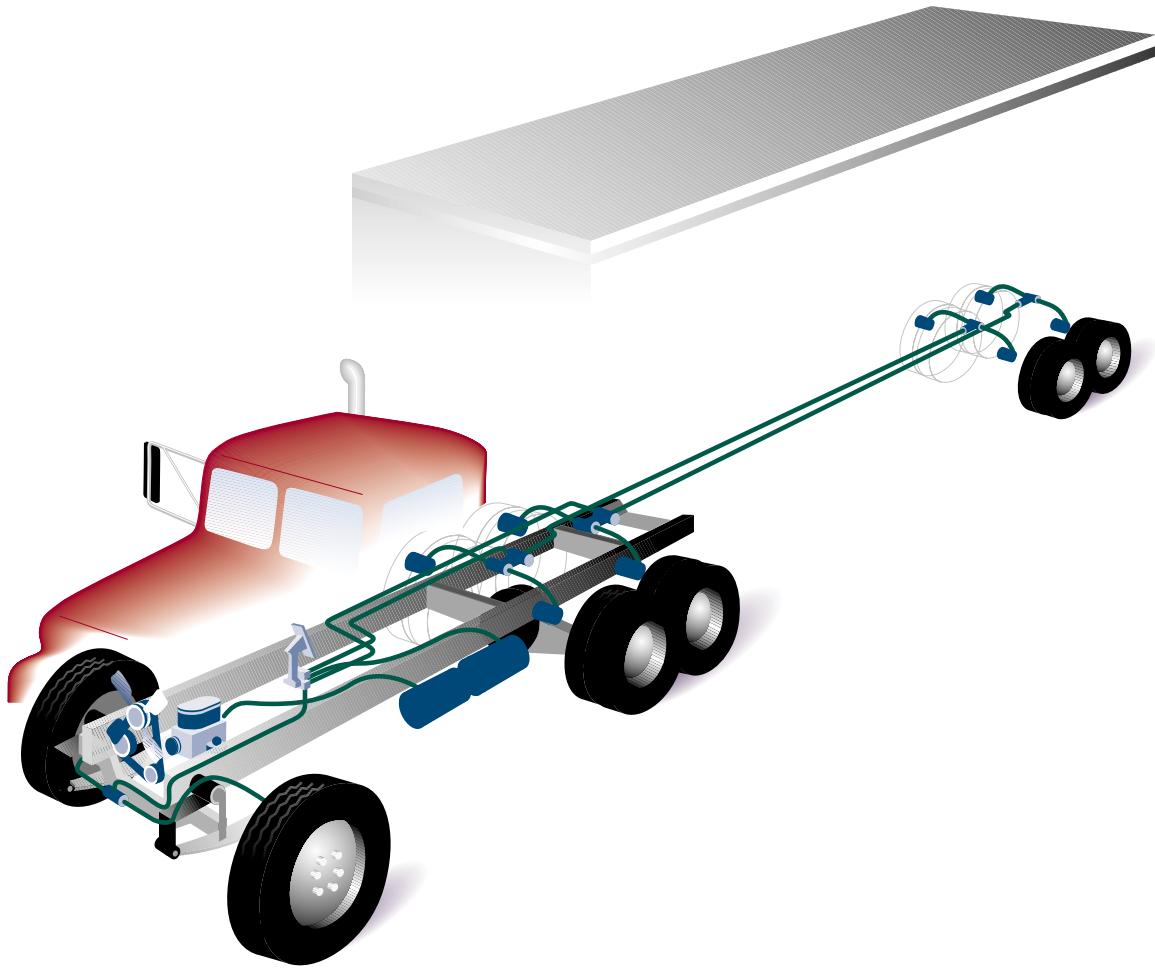


Compressor Air Brake Systems



2807 Compressor Discharge Hose

Features:

- Extruded PTFE tube
- Stainless steel braid reinforcement
- Standard crimp and screw-together reusable fittings

Benefits:

- Superior temperature performance (-100°F to +500°F/-73°C to +260°C) for air compressor discharge applications
- Excellent abrasion and corrosion resistance
- Wide selection of available fitting designs

Aeroquip 2807 Compressor Discharge Hose



Specifications and Performance:

(Exceeds SAE 100R14)

| Part Number | Hose I.D. (mm/inch) | Hose O.D. (mm/inch) | Max. Oper. Press. (Bar/psi) | Min. Burst Press. (Bar/psi) | Min. Bend Radius (mm/inch) |
|-------------|------------------------|------------------------|--------------------------------|--------------------------------|-------------------------------|
| 2807-3 | 3.6/.14 | 6.6/.25 | 207/3000 | 828/12000 | 38.1/1.50 |
| 2807-4 | 4.8/.19 | 7.6/.30 | 207/3000 | 828/12000 | 50.8/2.00 |
| 2807-5 | 6.6/.26 | 9.4/.37 | 207/3000 | 828/12000 | 76.2/3.00 |
| 2807-6 | 8.1/.32 | 10.9/.43 | 172/2500 | 688/10000 | 101.6/4.00 |
| 2807-8 | 10.7/.42 | 13.7/.54 | 138/2000 | 552/8000 | 133.4/5.25 |
| 2807-10 | 13.0/.51 | 16.0/.63 | 103/1500 | 412/6000 | 165.1/6.50 |
| 2807-12 | 16.3/.64 | 19.3/.76 | 83/1200 | 332/4800 | 196.9/7.75 |

Operating Temperature Range:

- -100°F to +500°F
(-73°C to +260°C)

Vacuum Rating (in/Hg):

- 28
CAUTION: Internal support coils must be used for -06 and larger hoses when used in applications where there will be extended or continuous service at high temperature with low or negative pressure. Unsupported hose may collapse in this application with a potential for property damage.



Eaton Aeroquip
Industrial Division
3000 Strayer Road, P.O. Box 631
Maumee, Ohio 43537-0631
419/867-2600, Fax: 419/867-2629
www.aeroquip.com

