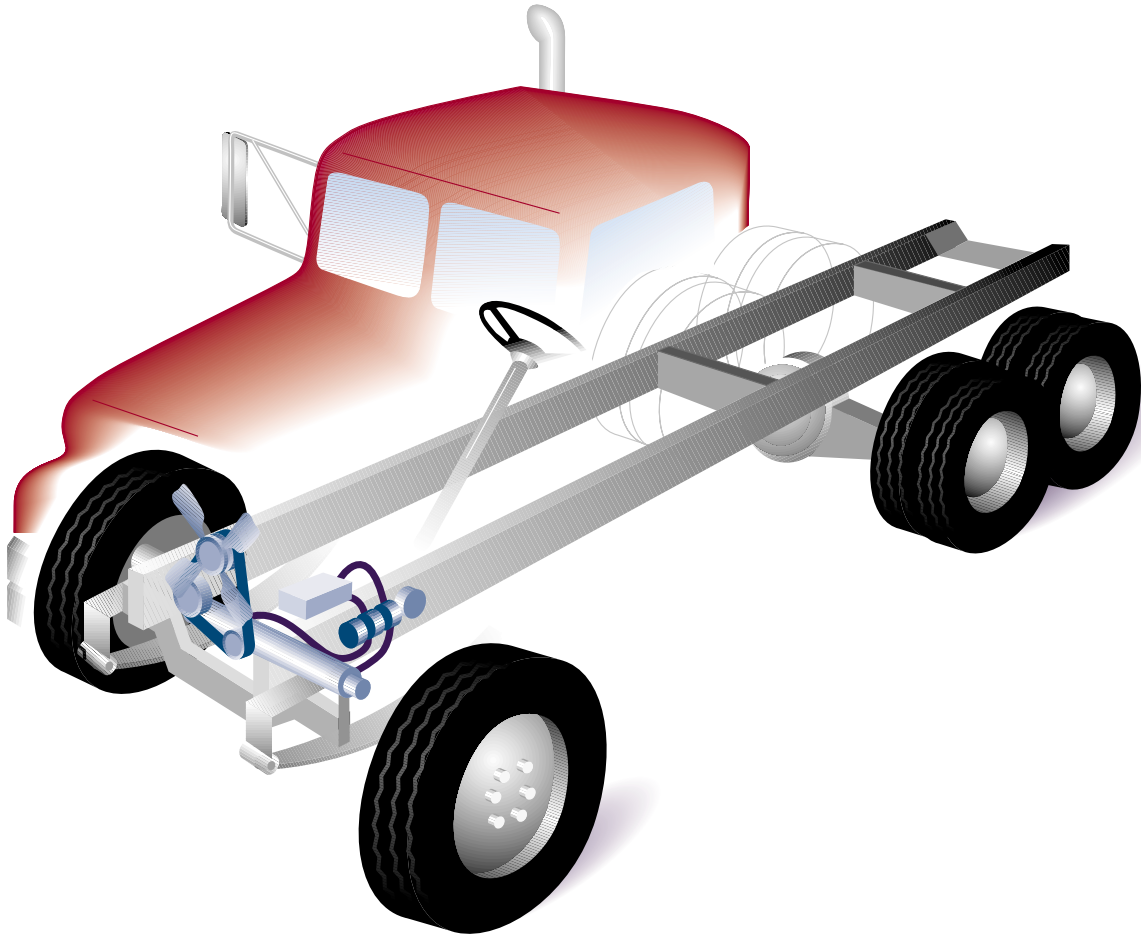


Power Steering Systems



FC510 Power Steering Hose

Features:

- AQP® elastomer tube and cover
- Single Hi-Pac wire reinforcement
- Flexible hose construction
- Standard global crimp fittings

Benefits:

- Superior temperature range for extended performance (-40°F to +300°F/-40°C to +150°C)
- 2-wire braid operating performance; reduced bend radius
- Ease of routing and installation
- Worldwide fitting selection and availability

Aeroquip FC510

AQP[®] Power Steering Pressure Hose



Specifications and Performance:

(Exceeds SAE 100R2 performance)

Part Number	Hose I.D. (mm/inch)	Hose O.D. (mm/inch)	Max. Oper. Press. (Bar/psi)	Min. Burst Press. (Bar/psi)	Min. Bend Radius (mm/inch)
FC510-04	6.6/.25	14.5/.57	345/5000	1380/20000	76.2/3.00
FC510-06	9.5/.38	17.5/.69	276/4000	1104/16000	88.9/3.50
FC510-08	12.7/.50	20.3/.80	241/3500	964/14000	127.0/5.00
FC510-10	15.9/.62	23.6/.93	190/2750	760/11000	152.4/6.00
FC510-12	19.1/.75	27.7/1.09	155/2250	620/9000	177.8/7.00
FC510-16	25.4/1.00	34.0/1.37	138/2000	552/8000	228.6/9.00
FC510-20	31.8/1.25	43.2/1.70	112/1625	448/6500	279.4/11.00

Operating Temperature Range:

- -40°F to +300°F
(-40°C to +150°C)

Applications:

- Power steering pressure lines (pump outlet to steering gear inlet)



Eaton Aeroquip
 Industrial Division
 3000 Strayer Road, P.O. Box 631
 Maumee, Ohio 43537-0631
 419/867-2600, Fax: 419/867-2629
 www.aeroquip.com



Specifications subject to change without notice