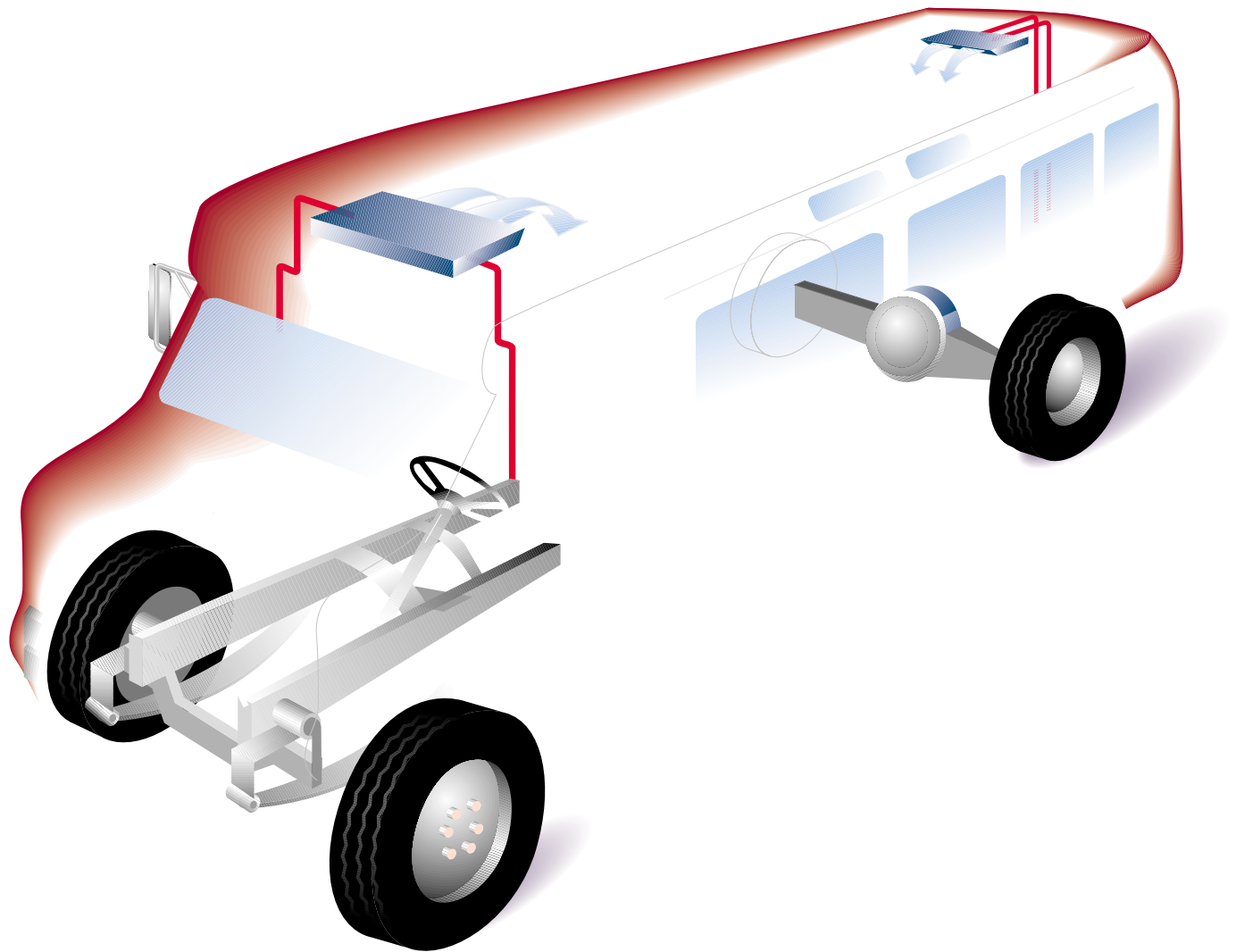


# A/C & Refrigeration Systems



---

## FC558 Refrigerant Hose for R134a

### Features:

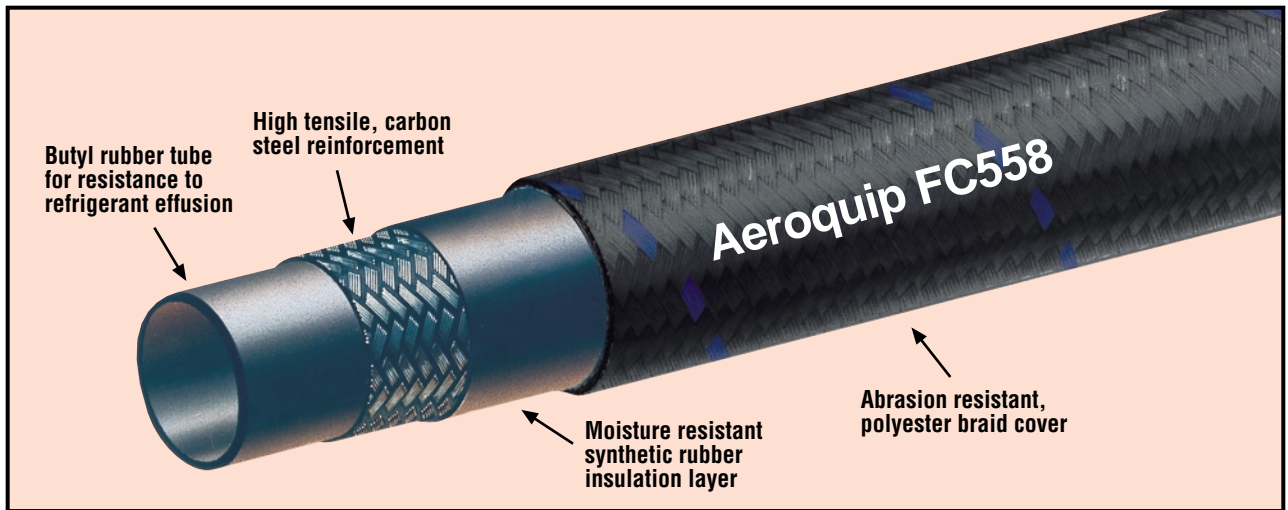
- Butyl rubber tube
- High tensile steel wire reinforcement
- Synthetic rubber insulation layer
- Polyester braid cover
- SAE 10OR5 field attachable fittings

### Benefits:

- Excellent effusion resistance
- Extended service life
- Maximum resistance to moisture ingress
- Superior abrasion resistance
- Field attachable

# Aeroquip FC558

## R134a Refrigerant Hose



### Specifications and Performance:

(meets or exceeds SAE J2064 Type B Class 1)

Part Number	Hose I.D. (mm/in)	Hose O.D. (mm/in)	Minimum Bend Radius (mm/in)
FC558-10	12.7/.50	23.4/.92	139/5.50
FC558-12	15.9/.62	26.9/1.06	165/6.50
FC558-16	22.2/.88	31.5/1.24	187/7.38
FC558-20	28.6/1.12	38.4/1.51	229/9.0
FC558-24	34.9/1.38	44.5/1.75	267/10.50

#### Maximum Operating Pressure (Bar/PSI)

- 35/500

#### Minimum Burst Pressure (Bar/PSI)

- 175/2500

#### Temperature Range

- -40°F to +250°F  
(-40°C to +121°C)

#### HFC 134a Effusion

- 5.5 lbs./ft<sup>2</sup>/yr. at 176°F  
(26.62 Kg/m<sup>2</sup>/yr. at 80°C)

#### Moisture Ingression

- .08 gm./in.<sup>2</sup>/yr.  
(.013/cm<sup>2</sup>/yr.)

#### Fittings

- Standard Aeroquip SAE 10OR5 reusable fittings



#### Eaton

14615 Lone Oak Rd.  
Eden Prairie, MN 55344-2287  
952/937-9800, Fax: 952/974-7722  
www.aeroquip.com



*Specifications subject to change without notice*