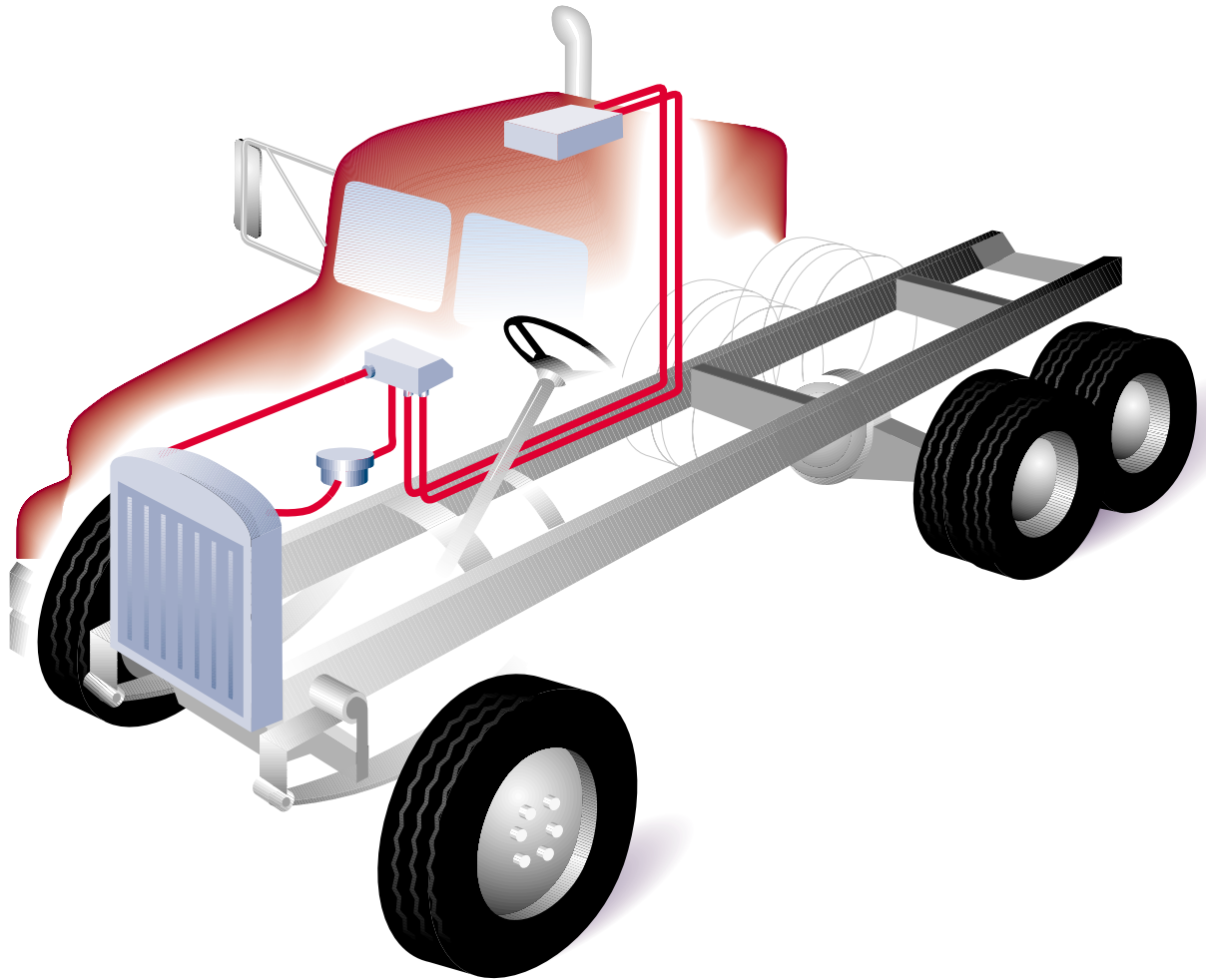


Air Conditioning Systems



GH134 Multi-Refrigerant Hose

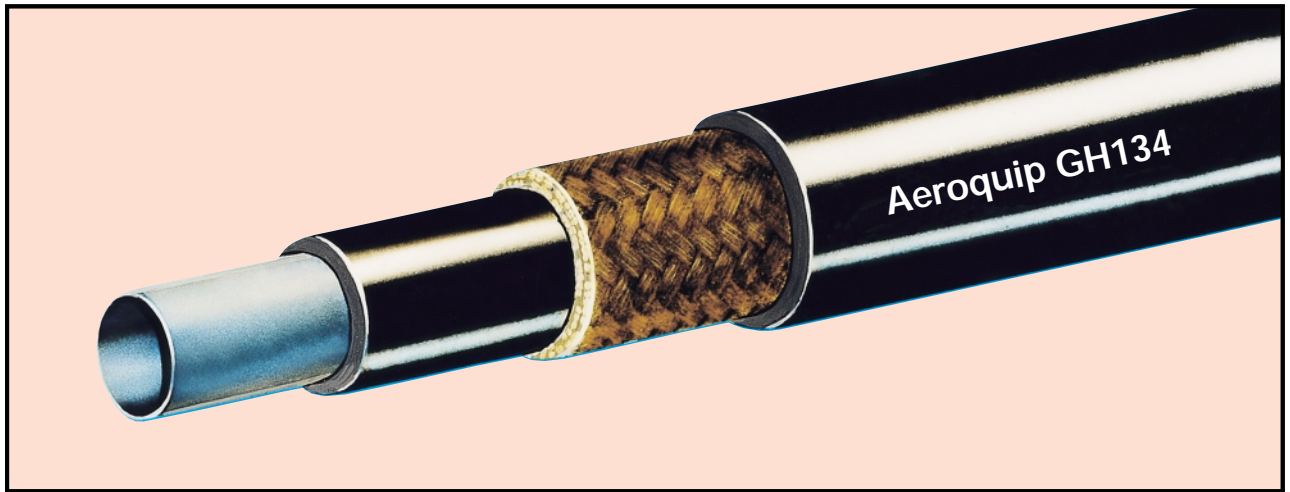
Features:

- Internal polyamide veneer
- Synthetic-rubber backing layer
- Stabilized, synthetic braided reinforcement
- Chlorobutyl rubber cover
- Roll-formed fittings

Benefits:

- Excellent effusion resistance
- Maximum resistance to moisture ingress
- Extended service performance
- Superior flexibility
- Assured coupling integrity, exceeds SAE J2064 performance

Aeroquip GH134 Multi-Refrigerant Hose



Specifications and Performance:

(meets or exceeds SAE J2064 Type E Class 1)

Part Number	Hose I.D. (mm/in)	Hose O.D. (mm/in)	Minimum Bend Radius (mm/in)
GH134-6	7.9/.31	14.7/.58	50.0/2.0
GH134-8	10.3/.41	17.8/.70	63.5/2.5
GH134-10	12.7/.50	19.8/.78	76.2/3.0
GH134-12	15.9/.62	24.9/.98	101.6/4.0

Maximum Operating Pressure (Bar/PSI)

- 35/500

Minimum Burst Pressure (Bar/PSI)

- 175/2500

Temperature Range

- -40°F to +275°F
- -40°C to +135°C

R404a Effusion

- .2 lbs./ft²/yr. at 140°F
- .8 kg./m²/yr. at 60°C

HFC 134a Effusion

- .50 lbs./ft²/yr. at 176°F
- 2.42 kg./m²/yr. at 80°C

R22 Effusion

- 27.7 lbs./ft²/yr. at 158°F
- 135 kg./m²/yr. at 70°C

Moisture Ingression

- .08 gm./in.²/yr.
- .013/cm²/yr.

Fittings

- Request Aeroquip bulletin JA466



Eaton Aeroquip
Industrial Division
3000 Strayer Road, P.O. Box 631
Maumee, Ohio 43537-0631
419/867-2600, Fax: 419/867-2629
www.aeroquip.com



Specifications subject to change without notice