

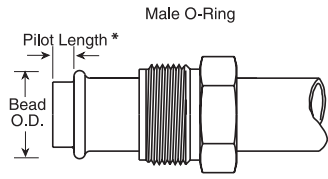
E-Z Clip System

End Connections & O-Rings

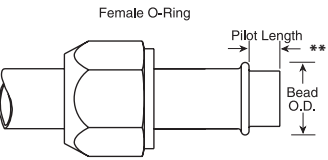
How to Identify O-Ring Pilot Thread Sizes

This connection is common to air conditioning systems, both in vehicle and commercial applications. Both the male and female halves of the connections have a pilot, either long or

short. The seal takes place by compressing an O-ring adjacent to the bead of the tube. The threads hold the connection together mechanically.



MALE THREAD O.D. (INCH)		FEMALE THREAD I.D. (INCH)					
INCH SIZE	DASH SIZE	NOMINAL THREAD	FRACTION	NOMINAL DECIMAL	THREAD	FRACTION	DECIMAL
3/8	06	5/8 - 18	5/8	.62	5/8 - 18	9/16	.57
1/2	08	3/4 - 18	3/4	.75	3/4 - 16	11/16	.69
5/8	10	7/8 - 18	7/8	.87	7/8 - 14	13/16	.81
3/4	12	1-1/16 -16	1-1/16	1.06	1-1/16 -16	1	.99



LONG PILOT**			SHORT PILOT*		
INCH SIZE	NOMINAL BEAD TUBE SIZE	O.D. (INCH)	PILOT LENGTH	BEAD O.D. (INCH)	PILOT LENGTH
3/8	06	.52	.28	.52	.19
1/2	08	.64	.39	.64	.19
5/8	10	.77	.39	.77	.19
3/4	12	.91	.39	.91	.19

Lubricant Compatibility Chart

LUBRICANT	HOSE STYLE GH134
Mineral Oil	Y
PAG	Y
Ester Oil	Y
Alkylbenzene	*

Y = Compatible N = Non-compatible
 *Review application with Engineering Support.

Refrigerant Compatibility Chart of Refrigerant Hoses

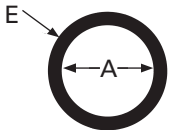
REFRIGERANT	HOSE STYLE GH134
R-12	Y
R-22	*
R-134a	Y
R-502	Y
MP39	Y
MP66	Y
R404a	Y

Tubing Identification

SIZE	TUBING STYLE	WALL THICKNESS
-6	SAE J526	0.035
-0608	SAE J526	0.035
-8	SAE J526	0.035
-0810	SAE J526	0.035
-10	SAE J525	0.049
-1012	SAE J525	0.049
-12	SAE J525	0.049

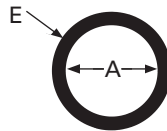
O-rings for Bump Tube O-Ring Seal and O-Ring Pilot Hose Ends

(O-rings for o-ring pilot end must be purchased separately)



ZW747

Material: HNBR
Durometer: 70
Temperature Range:
 -40°F to +250°F
 -40°C to +121°C



FF90178

Material: HNBR
Durometer: 70
Temperature Range:
 -25°F to +300°F
 -31°C to +150°C

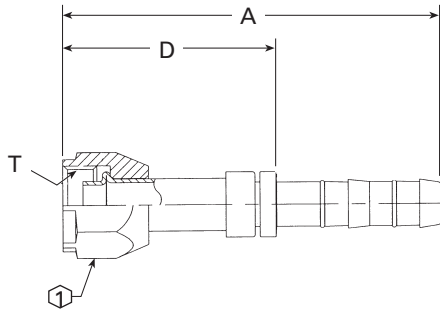
O-RING CATALOG NUMBER	O-RING PILOT DASH SIZE	A	E
ZW74706	-06	.301	.07
ZW74708	-08	.426	.07
ZW74710	-10	.551	.07
ZW74712	-12	.676	.07

O-RING PART NUMBER	O-RING PILOT DASH SIZE	A	E
FF90178-11	-06	.301	.0625
FF90178-13	-08	.426	.0625
FF90178-15	-10	.551	.0625
FF90178-17	-12	.676	.0625

E-Z Clip System™

Hose Ends

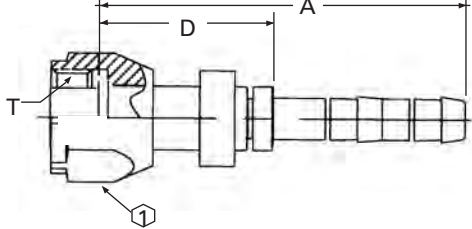
FJ5984



Straight - Female O-ring (short pilot)

PART NUMBER	TH'D "T"	HOSE SIZE	A REF	D REF	F REF	H REF	① REF
FJ5984-0606S	5/8-18	6	3.14	1.62	—	—	0.75
FJ5984-0608S	5/8-18	8	3.16	1.62	—	—	0.75
FJ5984-0808S	3/4-16	8	3.56	2.02	—	—	0.88
FJ5984-0810S	3/4-16	10	3.57	2.02	—	—	0.88
FJ5984-1008S	7/8-14	8	3.62	2.08	—	—	0.88
FJ5984-1010S	7/8-14	10	3.63	2.08	—	—	1.06
FJ5984-1012S	7/8-14	12	3.66	2.08	—	—	1.06
FJ5984-1210S	1-1/16-14	10	4.25	2.62	—	—	1.25
FJ5984-1212S	1-1/16-14	12	4.25	2.67	—	—	1.25

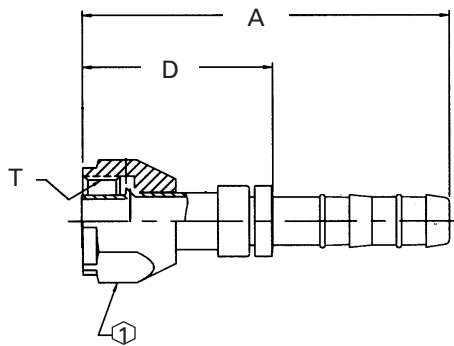
FJ3632



Straight - Female O-ring (long pilot)

PART NUMBER	TH'D "T"	HOSE SIZE	A REF	D REF	F REF	H REF	① REF
FJ3632-0806S	3/4-16	6	2.91	1.36	—	—	0.875

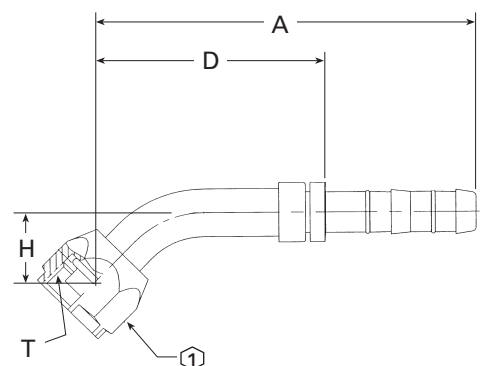
FJ3408



Straight - Female O-ring, Metric Thread (long pilot)

PART NUMBER	TH'D "T"	HOSE SIZE	A REF	D REF	F REF	H REF	① REF
FJ3408-0808S	M20 x 1.5	8	3.20	1.66	—	—	0.94
FJ3408-0810S	M20 x 1.5	10	3.21	1.66	—	—	0.94
FJ3408-1212S	M27 x 2	12	4.25	2.67	—	—	1.25

FJ3055



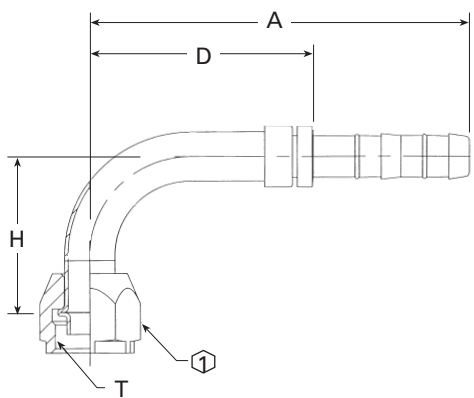
45° Elbow Female O-ring (short pilot)

PART NUMBER	TH'D "T"	HOSE SIZE	A REF	D REF	F REF	H REF	① REF
FJ3055-01-0606S	5/8-18	6	3.60	2.08	—	0.67	0.75
FJ3055-02-0608S	5/8-18	8	3.62	2.08	—	0.67	0.75
FJ3055-03-0808S	3/4-16	8	3.94	2.40	—	0.73	0.88
FJ3055-04-0810S	3/4-16	10	3.95	2.40	—	0.73	0.88
FJ3055-05-1010S	7/8-14	10	4.37	2.81	—	1.19	1.06
FJ3055-06-1012S	7/8-14	12	4.46	2.88	—	1.25	1.06
FJ3055-07-1212S	1-1/16-14	12	5.33	3.75	—	1.47	1.25

E-Z Clip System™

Hose Ends

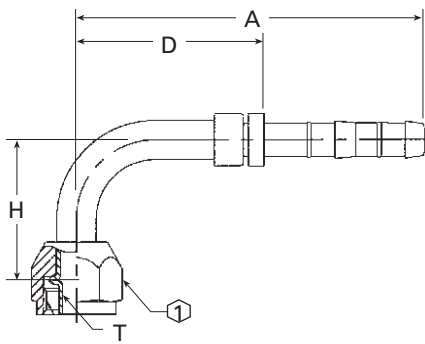
FJ5985



90° Elbow – Female O-ring (short pilot)

PART NUMBER	TH'D "T"	HOSE SIZE	A REF	D REF	F REF	H REF	① REF
FJ5985-0606S	5/8-18	6	3.32	1.79	—	1.38	0.75
FJ5985-0608S	5/8-18	8	3.33	1.79	—	1.38	0.75
FJ5985-0806S	3/4-16	6	3.86	2.33	—	1.62	0.88
FJ5985-0808S	3/4-16	8	3.77	2.23	—	1.62	0.88
FJ5985-0810S	3/4-16	10	3.78	2.23	—	1.62	0.88
FJ5985-1010S	7/8-14	10	4.22	2.67	—	1.89	1.06
FJ5985-1012S	7/8-14	12	4.24	2.67	—	1.89	1.06
FJ5985-1210S	1-1/16-14	10	4.76	3.31	—	2.56	1.25
FJ5985-1212S	1-1/16-14	12	4.74	3.16	—	2.56	1.25

FJ3288

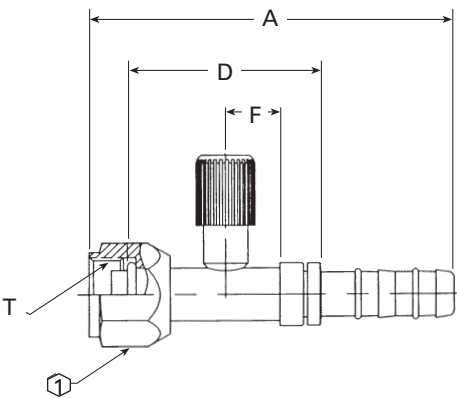


90° Female O-ring (long pilot)

PART NUMBER	TH'D "T"	HOSE SIZE	A REF	D REF	F REF	H REF	① REF
FJ3288-01-0606S	5/8-18	6	3.32	1.79	—	1.38	0.75
FJ3288-02-0808S	3/4-16	8	3.77	2.23	—	1.62	0.88
FJ3288-03-0806S	3/4-16	6	3.75	2.33	—	1.62	0.88
FJ3288-04-0810S*	3/4-16	10	3.78	2.23	—	1.62	0.88
FJ3288-05-1016S*	7/8-14	16	4.40	2.72	—	1.89	1.06
FJ3288-06-1216S*	1-1/16-14	16	4.84	3.16	—	2.58	1.25

*Non-stocked item.

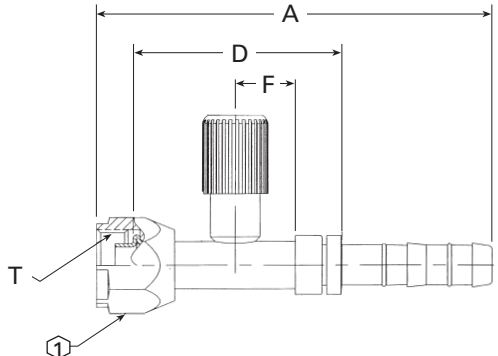
FJ3054



Straight – Female O-ring (short pilot) with R134a Low Side Port

PART NUMBER	TH'D "T"	HOSE SIZE	A REF	D REF	F REF	H REF	① REF
FJ3054-1010S	7/8-14	10	4.24	2.25	0.63	—	1.06
FJ3054-1012S	7/8-14	12	4.27	2.25	0.63	—	1.06
FJ3054-1212S	1-1/16-14	12	4.58	2.43	0.54	—	1.25

FJ3053



Straight – Female O-ring (short pilot) with R134a High Side Port

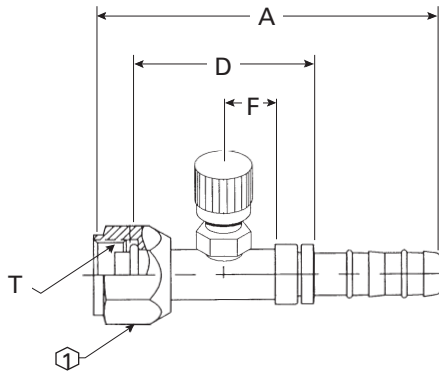
PART NUMBER	TH'D "T"	HOSE SIZE	A REF	D REF	F REF	H REF	① REF
FJ3053-0606S	5/8-18	6	3.91	2.10	0.63	—	0.75
FJ3053-0806S*	3/4-16	6	4.06	2.26	0.63	—	0.88
FJ3053-0808S	3/4-16	8	4.09	2.16	0.63	—	0.88
FJ3053-0810S	3/4-16	10	4.09	2.16	0.63	—	0.88

*Non-stocked item.

E-Z Clip System™

Hose Ends

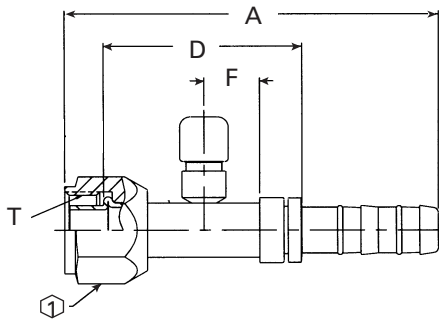
FJ3162



Straight – Female O-ring (long pilot) with Switch Port (7/16-20 thd)

PART NUMBER	TH'D "T"	HOSE SIZE	A REF	D REF	F REF	H REF	① REF
FJ3162-0808S	3/4-16	8	4.09	2.16	0.79	—	0.88
FJ3162-1010S	7/8-14	10	4.25	2.25	0.79	—	1.06
FJ3162-1012S	7/8-14	12	4.27	2.25	0.79	—	1.06
FJ3162-1212S	1-1/16-14	12	4.86	2.71	0.79	—	1.25

FJ3416

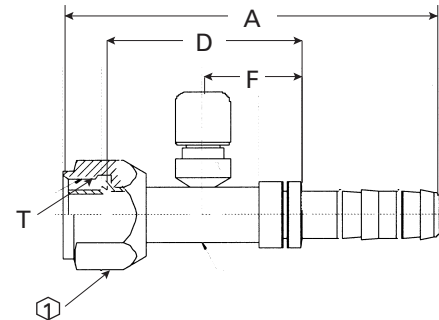


Straight – Female O-ring (long pilot) with Switch Port (M10 X 1.25)

PART NUMBER	TH'D "T"	HOSE SIZE	A REF	D REF	F REF	H REF	① REF
FJ3416-01-1010S	7/8-14	10	4.25	2.25	.63	—	1.06
FJ3416-02-0808S*	3/4-16	8	4.86	2.53	.79	—	1.06

*Non-stocked item.

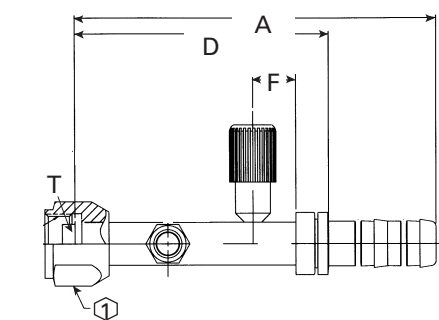
FJ3461



Straight – Female O-ring (long pilot) with Switch Port (M12 X 1.25)

PART NUMBER	TH'D "T"	HOSE SIZE	A REF	D REF	F REF	H REF	① REF
FJ3461-01-1010S	7/8-14	10	4.25	2.25	.63	—	1.06
FJ3461-02-1012S	7/8-14	12	4.27	2.25	.63	—	1.06
FJ3461-03-1212S	1-1/16-14	12	4.86	2.71	.54	—	1.25

FJ3363



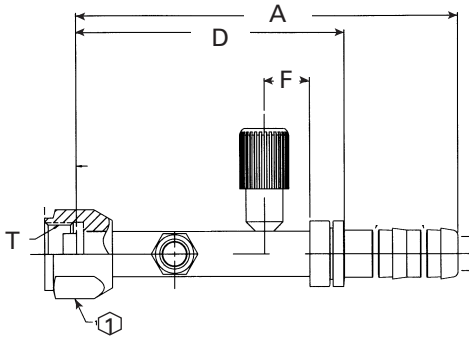
Straight – Female O-ring (short pilot), with R134a High side port and female switch connection, (1/8-27 thread)

PART NUMBER	TH'D "T"	HOSE SIZE	A REF	D REF	F REF	H REF	① REF
FJ3363-03-0808S	3/4-16	8	5.16	3.62	.63	—	.88
FJ3363-02-0810S	3/4-16	10	5.54	3.62	.63	—	.88

E-Z Clip System™

Hose Ends

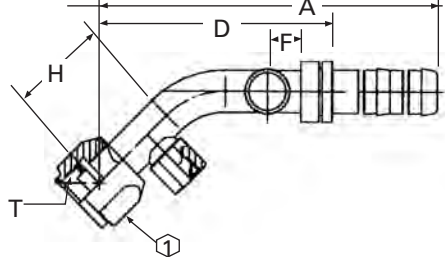
FJ3363



Straight – Female O-ring (short pilot), with R134a Low side port and female switch connection, (1/8-27 thread)

PART NUMBER	TH'D "T"	HOSE SIZE	A REF	D REF	F REF	H REF	① REF
FJ3363-01-1012S	7/8-14	12	5.30	3.72	.63	—	1.06

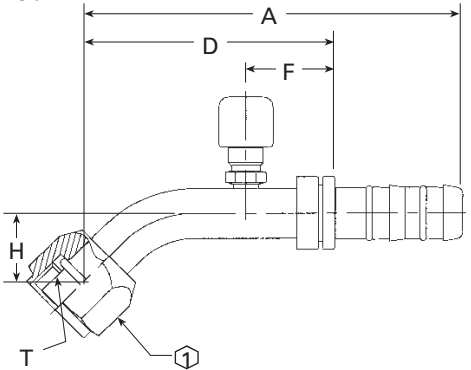
FJ3365



45° - Female O-ring (Short Pilot) with R134a Low Side Port and switch connection

PART NUMBER	TH'D "T"	HOSE SIZE	A REF	D REF	F REF	H REF	① REF
FJ3365-01-1012S	7/8-14	12	5.09	3.51	.50	1.43	1.125

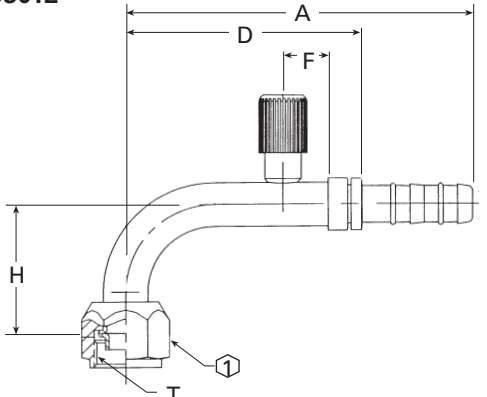
FJ3230



45° Female O-ring (long pilot) with Switch Port (7/16-20 thd)

PART NUMBER	TH'D "T"	HOSE SIZE	A REF	D REF	F REF	H REF	① REF
FJ3230-01-0810S	3/4-16	10	4.61	2.58	0.63	0.80	0.88
FJ3230-02-1012S	7/8-14	12	4.73	2.67	0.63	0.89	1.06
FJ3230-03-0808S	3/4-16	8	4.43	2.40	0.63	0.73	0.88
FJ3230-04-1010S	7/8-14	10	5.00	2.97	0.63	1.19	1.06

FJ3012



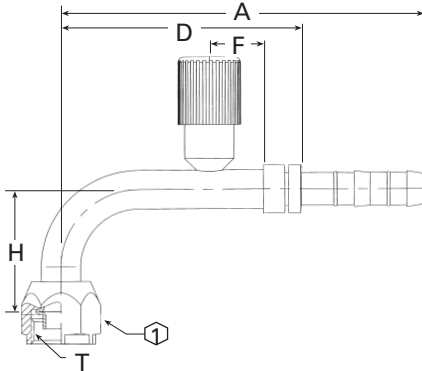
90° Female O-ring (short pilot) with R134a Low Side Port

PART NUMBER	TH'D "T"	HOSE SIZE	A REF	D REF	F REF	H REF	① REF
FJ3012-02-1010S	7/8-14	10	4.88	3.33	0.63	1.89	1.06
FJ3012-01-1012S	7/8-14	12	4.83	3.25	0.63	1.89	1.06
FJ3012-03-1212S	1-1/16-14	12	5.10	3.52	0.63	2.56	1.25

E-Z Clip System™

Hose Ends

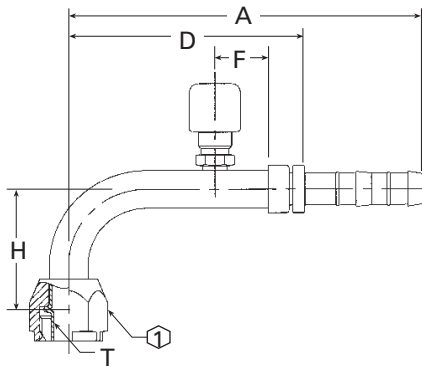
FJ3013



90° Female O-ring (short pilot) with R134a High Side Port

PART NUMBER	TH'D "T"	HOSE SIZE	A REF	D REF	F REF	H REF	① REF
FJ3013-02-0606S	5/8-18	6	4.35	2.82	0.63	1.38	0.75
FJ3013-03-0808S	3/4-16	8	4.61	3.07	0.69	1.62	0.88
FJ3013-01-0810S	3/4-16	10	4.53	2.98	0.69	1.62	0.88

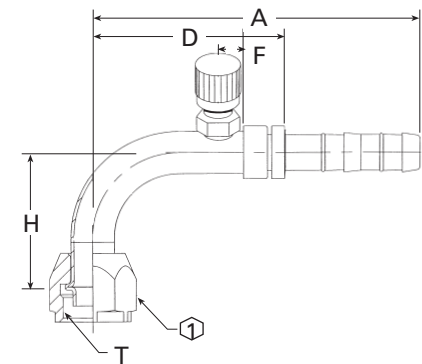
FJ3289



90° Female O-ring (long pilot) with Switch Port (7/16-20 thd)

PART NUMBER	TH'D "T"	HOSE SIZE	A REF	D REF	F REF	H REF	① REF
FJ3289-01-0808S	3/4-16	8	4.61	2.59	0.69	1.62	0.88
FJ3289-02-1010S	7/8-14	10	4.80	2.77	0.63	1.93	1.06
FJ3289-03-0606S	5/8-18	6	4.35	2.82	0.69	1.35	0.75
FJ3289-04-0810S	3/4-16	10	4.62	2.59	0.69	1.62	0.88
FJ3289-05-1012S	7/8-14	12	4.82	2.77	.63	1.93	1.06

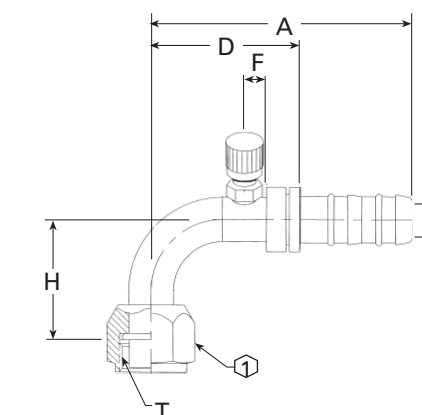
FJ3163



90° Elbow – Female O-ring (short pilot) with Switch Port (7/16-20 thd)

PART NUMBER	TH'D "T"	HOSE SIZE	A REF	D REF	F REF	H REF	① REF
FJ3163-01-1010S	7/8-14	10	4.80	3.25	0.79	1.89	1.06
FJ3163-02-1212S	1-1/16-14	12	5.08	3.50	0.79	2.56	1.25

FJ3047



90° Female O-ring (long pilot) with Charge Port (7/16-20Thd) – 45° Port Rotation

PART NUMBER	TH'D "T"	HOSE SIZE	A REF	D REF	F REF	H REF	① REF
FJ3047-1012S	7/8-14	12	4.06	2.48	0.50	1.69	1.06

APPLICATION DATA

LOW & MEDIUM PRESSURE HOSE

HIGH PRESSURE HOSE

SPECIALTY HOSE

ACCESSORIES & ASSEMBLY INSTRUCTIONS

ADAPTERS & TUBE HOSE ENDS

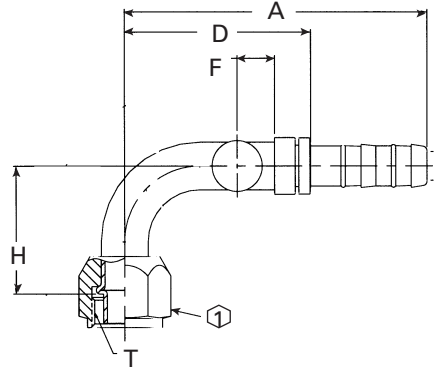
HOSE ASSEMBLY EQUIPMENT

TECHNICAL DATA

E-Z Clip System™

Hose Ends

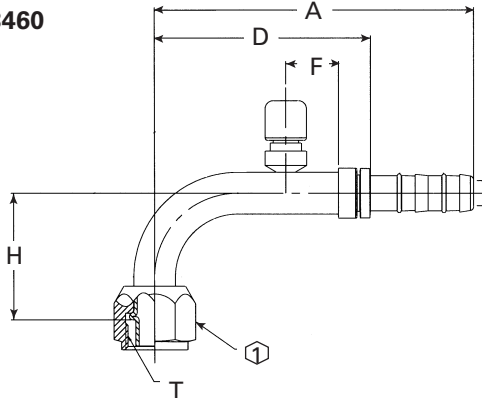
FJ3444



90° Female O-ring (long pilot) with Switch Port (7/16-20Thd) – 90° Port Rotation

PART NUMBER	TH'D "T"	HOSE SIZE	A REF	D REF	F REF	H REF	① REF
FJ3444-1010S	7/8-14	10	4.03	2.48	.50	1.69	1.06

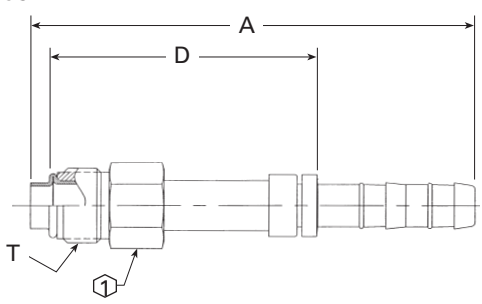
FJ3460



90° Female O-ring (long pilot) with Switchport (M12 X 1.25)

PART NUMBER	TH'D "T"	HOSE SIZE	A REF	D REF	F REF	H REF	① REF
FJ3460-01-1010S	7/8-14	10	4.80	3.25	0.79	1.89	1.06
FJ3460-02-1012S	7/8-14	12	4.83	3.25	0.79	1.89	1.06
FJ3460-03-1212S	1-1/16-14	12	5.08	3.50	.54	2.56	1.25

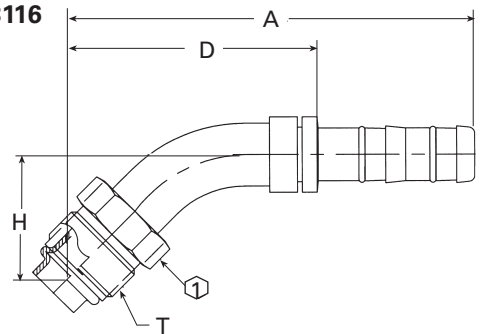
FJ3052



Straight Male O-ring (short pilot)

PART NUMBER	TH'D "T"	HOSE SIZE	A REF	D REF	F REF	H REF	① REF
FJ3052-0606S	5/8-18	6	3.41	1.70	—	—	0.62
FJ3052-0608S	5/8-18	8	3.43	1.70	—	—	0.62
FJ3052-0808S	3/4-18	8	4.37	2.64	—	—	0.75
FJ3052-1010S	7/8-18	10	3.66	1.92	—	—	0.88
FJ3052-1012S	7/8-18	12	3.68	1.92	—	—	0.88
FJ3052-1212S	1-1/16-16	12	3.68	1.92	—	—	1.06
FJ3052-1016S	7/8-18	16	4.33	2.47	—	—	0.88
FJ3052-1216S	1-1/16-16	16	4.28	2.42	—	—	0.88

FJ3116



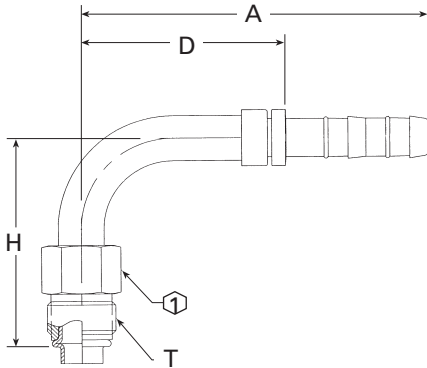
45° Male O-ring (short pilot)

PART NUMBER	TH'D "T"	HOSE SIZE	A REF	D REF	F REF	H REF	① REF
FJ3116-01-0606S	5/8-18	6	3.99	2.47	—	0.94	0.62
FJ3116-03-0808S	3/4-18	8	4.59	2.83	—	1.20	0.75
FJ3116-02-1010S	7/8-18	10	4.65	3.10	—	1.46	0.88
FJ3116-04-0608S	5/8-18	8	4.01	2.47	—	0.94	0.62

E-Z Clip System™

Hose Ends

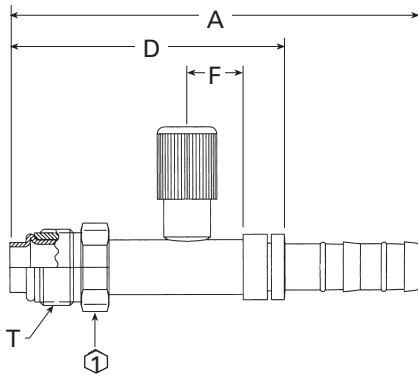
FJ3019



90° Male O-ring (short pilot)

PART NUMBER	TH'D "T"	HOSE SIZE	A REF	D REF	F REF	H REF	① REF
FJ3019-03-0606S	5/8-18	6	3.33	1.80	—	1.77	0.62
FJ3019-02-0608S	5/8-18	8	3.34	1.80	—	1.77	0.62
FJ3019-04-0808S	3/4-18	8	3.77	2.23	—	2.31	0.75
FJ3019-06-0810S	3/4-18	10	3.78	2.23	—	2.31	0.75
FJ3019-01-1012S	7/8-18	12	4.24	2.67	—	2.45	0.88
FJ3019-05-1212S	1-1/16-16	12	4.22	2.64	—	2.79	1.06
FJ3019-07-1010S	7/8-18	10	4.22	2.67	—	2.453	0.88

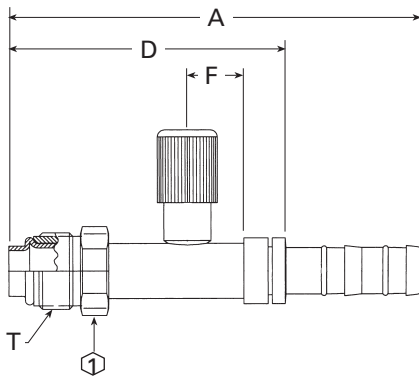
FJ3132



Straight Male O-ring (short pilot) with R134a Low Side Port

PART NUMBER	TH'D "T"	HOSE SIZE	A REF	D REF	F REF	H REF	① REF
FJ3132-01-1010S	7/8-18	10	4.43	2.70	0.63	—	0.88
FJ3132-02-1012S	7/8-18	12	4.46	2.70	0.63	—	0.88

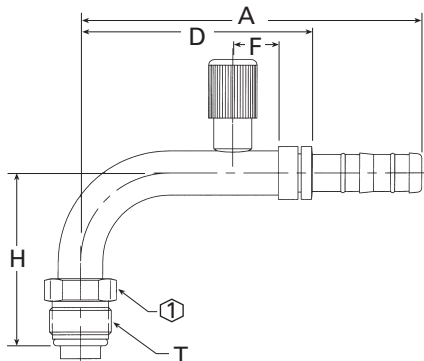
FJ3131



Straight Male O-ring (short pilot) with R134a High Side Port

PART NUMBER	TH'D "T"	HOSE SIZE	A REF	D REF	F REF	H REF	① REF
FJ3131-01-0606S	5/8-18	6	4.18	2.47	0.63	—	0.62
FJ3131-02-0808S	3/4-18	8	4.58	2.85	0.63	—	0.75
FJ3131-03-1010S	7/8-18	10	4.34	2.61	0.63	—	0.88

FJ3134



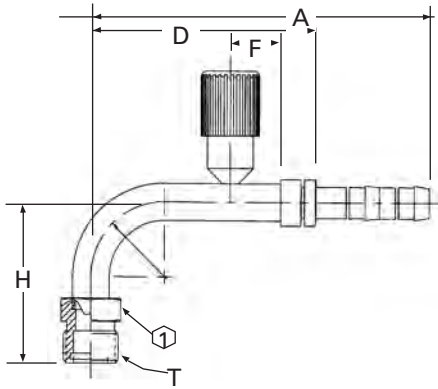
90° Elbow Male O-ring (short pilot) with R134a High Side Port

PART NUMBER	TH'D "T"	HOSE SIZE	A REF	D REF	F REF	H REF	① REF
FJ3134-01-0606S	5/8-18	6	4.34	2.82	0.63	1.75	0.62
FJ3134-02-0808S	3/4-18	8	4.61	3.07	0.63	2.31	0.75
FJ3134-03-1010S	7/8-18	10	4.81	3.25	0.63	2.34	0.88

E-Z Clip System™

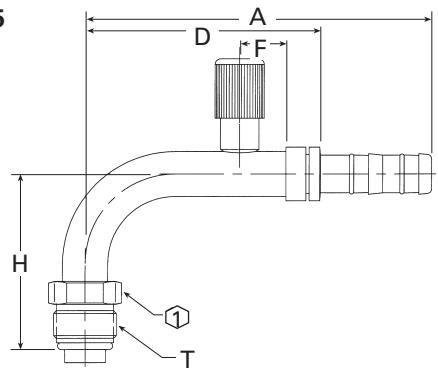
Hose Ends

FJ3611

**90° Male MIO with R134a High Side Port**

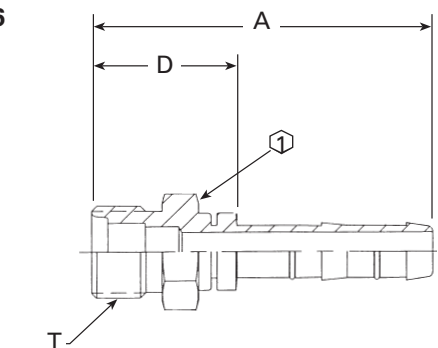
PART NUMBER	TH'D "T"	HOSE SIZE	A REF	D REF	F REF	H REF	① REF
FJ3611-01-0808S	3/4-16	8	4.61	3.07	.69	2.17	0.813

FJ3135

**90° Elbow Male O-ring (short pilot) with R134a Low Side Port**

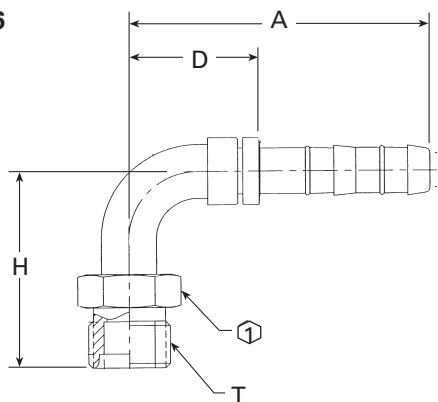
PART NUMBER	TH'D "T"	HOSE SIZE	A REF	D REF	F REF	H REF	① REF
FJ3135-01-1010S	7/8-18	10	4.81	3.25	0.63	2.34	0.88
FJ3135-02-1012S	7/8-18	12	4.81	3.25	0.63	2.34	0.88

FJ3026

**Male MIO (male insert O-ring) Straights**

PART NUMBER	TH'D "T"	HOSE SIZE	A REF	D REF	F REF	H REF	① REF
FJ3026-0606S	5/8-18	6	3.36	1.83	—	—	0.690
FJ3026-0808S	3/4-16	8	2.69	1.15	—	—	0.810
FJ3026-1010S	7/8-14	10	2.90	1.35	—	—	0.940
FJ3026-1012S	7/8-14	12	4.11	2.50	—	—	0.940
FJ3026-1212S	1-1/16-14	12	4.29	2.71	—	—	1.125

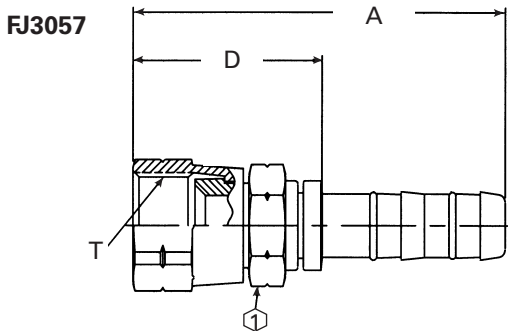
FJ3056

**90° Male MIO - (male insert O-ring)**

PART NUMBER	TH'D "T"	HOSE SIZE	A REF	D REF	F REF	H REF	① REF
FJ3056-01-0606S	5/8-18	6	2.50	0.98	—	1.44	0.69
FJ3056-02-0808S	3/4-16	8	2.74	1.20	—	1.82	0.81
FJ3056-03-1010S	7/8-14	10	3.09	1.54	—	2.13	0.94
FJ3056-04-0810S	3/4-16	10	2.75	1.20	—	1.82	0.81

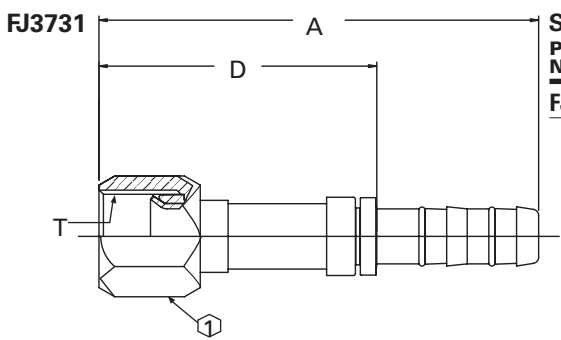
E-Z Clip System™

Hose Ends



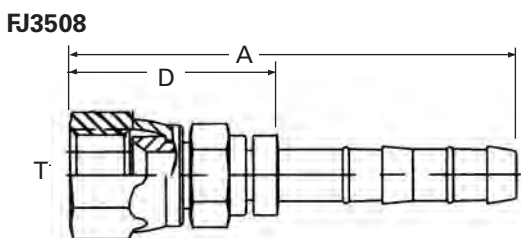
Female SAE 45° Flares

PART NUMBER	TH'D "T"	HOSE SIZE	A REF	D REF	F REF	H REF	① REF
FJ3057-01-0606S	5/8-18	6	2.88	1.35	—	—	0.56
FJ3057-02-0608S	5/8-18	8	3.14	1.62	—	—	0.75
FJ3057-03-0808S	3/4-16	8	2.96	1.42	—	—	0.69
FJ3057-04-0810S	3/4-16	10	3.56	2.02	—	—	0.88
FJ3057-05-1010S	7/8-14	10	3.63	2.08	—	—	1.00
FJ3057-06-1012S	7/8-14	12	3.66	2.08	—	—	1.00
FJ3057-07-1212S	1-1/16-14	12	3.20	1.62	—	—	1.25



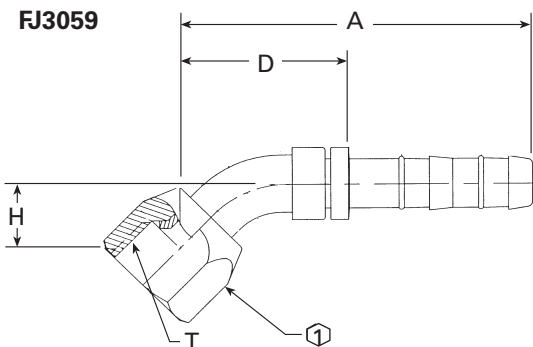
Straight - Female 37° Flare

PART NUMBER	TH'D "T"	HOSE SIZE	A REF	D REF	F REF	H REF	① REF
FJ3731-1010S	7/8-14	10	4.21	2.66	—	—	1



Straight - Female 37° Flare - Braze Design - Special Order Only

PART NUMBER	TH'D "T"	HOSE SIZE	A REF	D REF	F REF	H REF	① REF
FJ3508-0606S	9/16-18	6	2.85	1.32	—	—	0.563
FJ3508-0808S	3/4-16	8	2.96	1.42	—	—	0.688
FJ3508-1010S	7/8-14	10	3.15	1.59	—	—	0.875
FJ3508-1212S	1 1/16-12	12	3.2	1.62	—	—	1.25

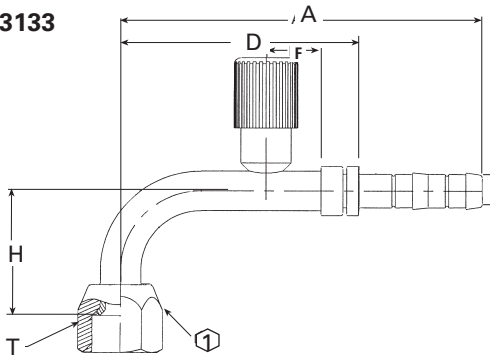


45° Female SAE 45° and Universal Flares

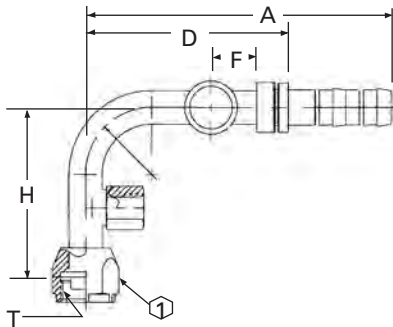
PART NUMBER	TH'D "T"	HOSE SIZE	A REF	D REF	F REF	H REF	① REF
FJ3059-01-0606S†	5/8-18	6	2.61	1.08	—	0.39	0.75
FJ3059-02-0608S†	5/8-18	8	2.62	1.08	—	0.39	0.75
FJ3059-03-0808S*	3/4-16	8	2.97	1.43	—	0.55	0.88
FJ3059-04-0810S*	3/4-16	10	2.98	1.43	—	0.55	0.88
FJ3059-05-1010S*	7/8-14	10	3.08	1.53	—	0.63	1.00
FJ3059-06-1012S*	7/8-14	12	3.11	1.53	—	0.63	1.00

†Double notch in nut for universal type identification

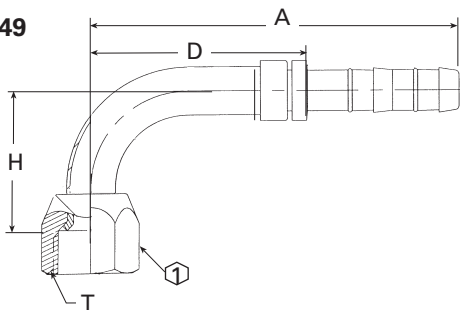
*Universal Flare

E-Z Clip System™**Hose Ends****FJ3133****90° Female SAE 45° With High Side Charge Port (R134a)**

PART NUMBER	TH'D "T"	HOSE SIZE	A REF	D REF	F REF	H REF	① REF
FJ3133-01-0606S	5/8-18	6	4.35	2.82	0.63	1.28	0.75
FJ3133-02-0808S	3/4-16	8	4.61	3.07	0.63	1.53	0.88
FJ3133-03-1010S	7/8-14	10	4.80	3.25	0.63	1.84	0.88

FJ3366**SAE 90° with R134a C/Port and Switch Port**

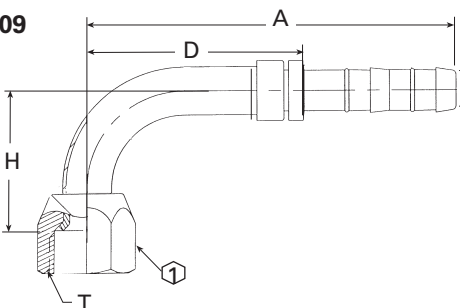
PART NUMBER	TH'D "T"	HOSE SIZE	A REF	D REF	F REF	H REF	① REF
FJ3366-01-0810S	3/4-16	10	4.62	3.07	.69	2.53	0.875
FJ3366-02-0808S	3/4-16	8	4.61	3.07	.69	2.53	0.875

FJ3149**90° Female SAE 45° and Universal Flares**

PART NUMBER	TH'D "T"	HOSE SIZE	A REF	D REF	F REF	H REF	① REF
FJ3149-01-0606S†	5/8-18	6	2.51	0.98	—	0.85	0.75
FJ3149-02-0608S†	5/8-18	8	2.52	0.98	—	0.85	0.75
FJ3149-03-0808S*	3/4-16	8	2.74	1.20	—	1.09	0.88
FJ3149-04-1010S*	7/8-14	10	3.09	1.54	—	1.19	1.00
FJ3149-05-1012S*	7/8-14	12	3.09	1.54	—	1.19	1.00
FJ3149-06-1212S†	1-1/16-14	12	3.68	2.11	—	1.80	1.25

†Double notch in nut for universal type identification

*Universal Flare

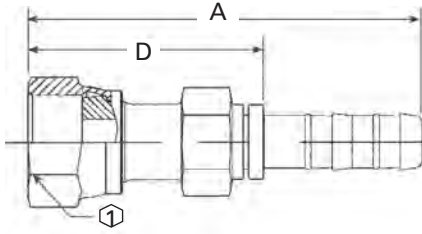
FJ3509**90° Female JIC**

PART NUMBER	TH'D "T"	HOSE SIZE	A REF	D REF	F REF	H REF	① REF
FJ3509-0606S	9/16-18	6	2.50	.98	—	2.18	.69
FJ3509-0608S	9/16-18	8	2.52	.98	—	2.18	.69
FJ3509-1212S	1-1/16-12	12	3.36	1.78	—	3.73	1.25

E-Z Clip System™

Hose Ends

GA23911

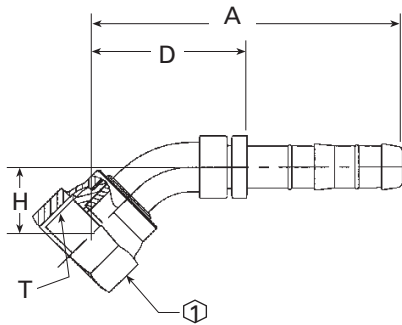


Straight – ORS Female Swivel Metric Hex Nut^Δ

PART NUMBER	TH'D "T"	HOSE SIZE	A REF	D REF	F REF	H REF	① REF
GA23911-6-6*	1-1/16-16	6	2.95	1.43	—	—	22mm
GA23911-8-8*	1-3/16-16	8	3.17	1.62	—	—	24mm
GA23911-10-12*	1-14	12	3.32	1.74	—	—	30mm
GA23911-10-10*	1-14	10	3.33	1.78	—	—	30mm
GA23911-12-12*	1-3/16-12	12	3.38	1.80	—	—	36mm

^Δ*Metric Hex

FJ3161
GA23912

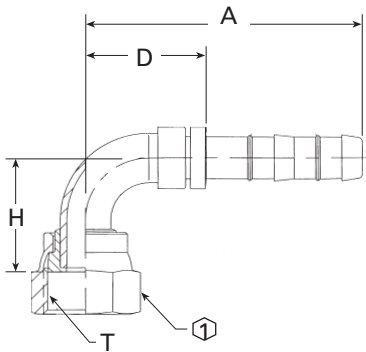


45° ORS Female Swivel

PART NUMBER	TH'D "T"	HOSE SIZE	A REF	D REF	F REF	H REF	① REF
FJ3161-01-0606S	11/16-16	6	2.65	1.12	—	0.44	0.81
GA23912-8-8*	13/16-16	8	3.02	1.47	—	0.59	29mm
GA23912-10-10*	1-14	10	3.22	1.67	—	0.70	30mm
GA23912-10-8*	1-14	8	3.50	1.96	—	0.68	30mm
GA23912-12-12*	1-3/16-12	12	4.23	2.65	—	0.83	36mm

^Δ*Metric Hex

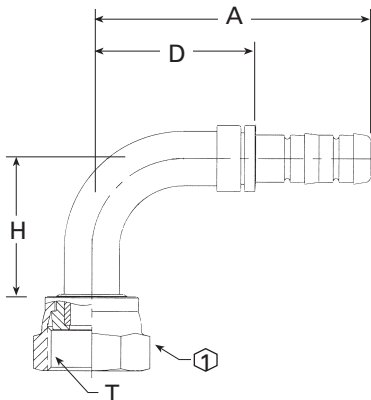
FJ5994



90° ORS Female Swivel

PART NUMBER	TH'D "T"	HOSE SIZE	A REF	D REF	F REF	H REF	① REF
FJ5994-01-0606S	1-1/16-16	6	2.50	0.98	—	0.91	0.81
FJ5994-02-0808S	13/16-16	8	2.74	1.20	—	1.15	0.94
FJ5994-04-1010S	1-14	10	3.09	1.53	—	1.27	1.12
FJ5994-03-1212S	1-3/16-12	12	3.36	1.78	—	1.90	1.38
FJ5994-05-0406S	9/16-18	6	2.44	0.92	—	0.82	0.69
FJ5994-05-1012S	1-14	12	3.11	1.53	—	1.78	1.13
FJ5994-07-0806S	13/16-16	6	2.66	1.10	—	1.15	0.94
FJ5994-08-1216S	1-3/16-12	16	3.46	1.78	—	1.90	1.38

FJ3319



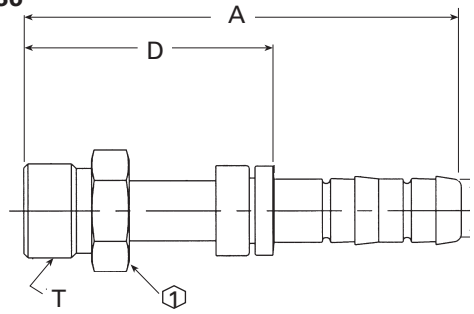
90° ORS Female Swivel (long drop)

PART NUMBER	TH'D "T"	HOSE SIZE	A REF	D REF	F REF	H REF	① REF
FJ3319-1212S	1-3/16-12	12	3.82	2.24	—	2.38	1.13

E-Z Clip System™

Hose Ends

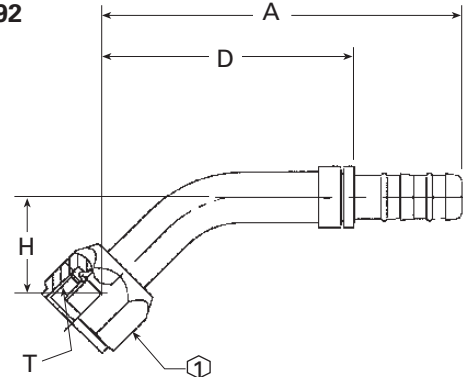
FJ3136



Straight Male O-ring (rigid) Metric Thread

PART NUMBER	TH'D "T"	HOSE SIZE	A REF	D REF	F REF	H REF	① REF
FJ3136-0810S	M20 x 1.5	10	3.62	2.07	0.69	—	0.88

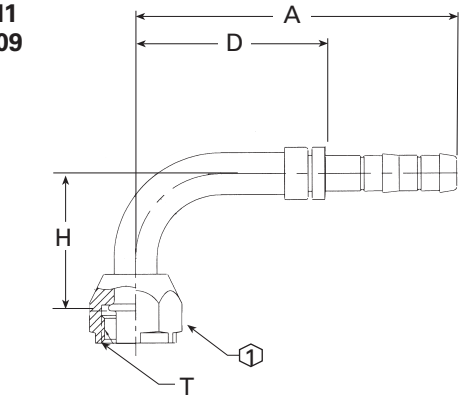
FJ3192



45° Female O-ring (long pilot, metric thread)

PART NUMBER	TH'D "T"	HOSE SIZE	A REF	D REF	F REF	H REF	① REF
FJ3192-02-1212S	M27x2	12	4.74	3.17	—	1.47	1.25

FJ3111
FJ3409

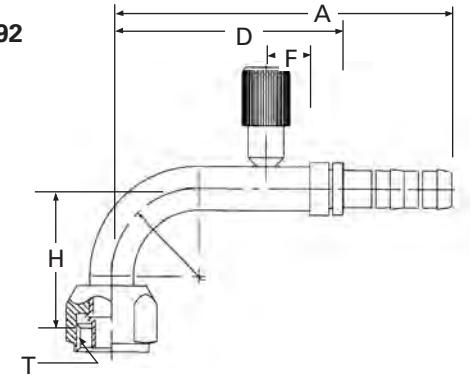


90° Female O-ring (long pilot) Metric Thread

PART NUMBER	TH'D "T"	HOSE SIZE	A REF	D REF	F REF	H REF	① REF
FJ3111-01-0808S	M20 x 1.5	8	3.77	2.23	—	1.62	0.94
FJ3111-02-0810S	M20 x 1.5	10	3.78	2.23	—	1.62	0.94
FJ3111-03-0806S*	M20 x 1.5	6	3.75	2.23	—	1.62	0.94
FJ3409-1212S	M27 x 2	12	4.74	3.16	—	2.56	1.25

*Non-Stock item

FJ3892



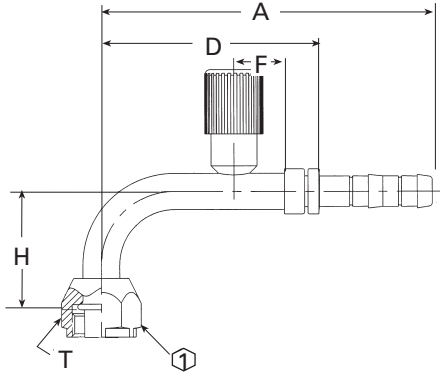
90° - Female O-ring (long pilot) with R134a Low Side Port (Metric Thread)

PART NUMBER	TH'D "T"	HOSE SIZE	A REF	D REF	F REF	H REF	① REF
FJ3892-01-1010S	M24 X 1.5	10	4.88	3.33	.63	1.89	1.125

E-Z Clip System™

Hose Ends

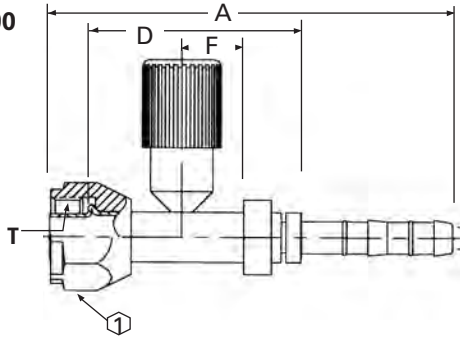
FJ3112



90° Female O-ring (long pilot) Metric Thread with High Side Charge Port (R134a)

PART NUMBER	TH'D "T"	HOSE SIZE	A REF	D REF	F REF	H REF	① REF
FJ3112-01-0808S	M20 x 1.5	8	4.52	2.98	0.69	1.62	0.94
FJ3112-02-0810S	M20 x 1.5	10	4.53	2.98	0.69	1.62	0.94
FJ3112-03-0806S	M20 x 1.5	8	4.50	2.98	0.69	1.62	0.94

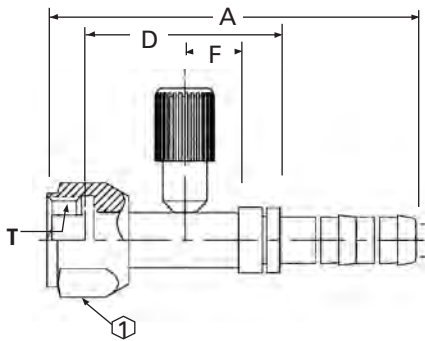
FJ3890



Straight - Female O-ring (long pilot) with R134a High Side Port (Metric Thread)

PART NUMBER	TH'D "T"	HOSE SIZE	A REF	D REF	F REF	H REF	① REF
FJ3890-01-0806S	M20 X 1.5	6	4.06	2.16	.63		0.94

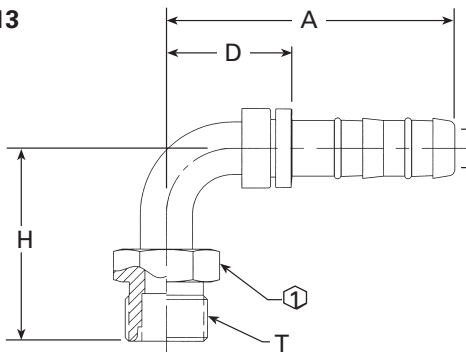
FJ3891



Straight - Female O-ring (long pilot) with R134a Low Side Port (Metric Thread)

PART NUMBER	TH'D "T"	HOSE SIZE	A REF	D REF	F REF	H REF	① REF
FJ3891-01-1010S	M24 X 1.5	10	4.24	2.25	.62		1.125

FJ3113



90° Male O-ring (rigid) Metric Thread

PART NUMBER	TH'D "T"	HOSE SIZE	A REF	D REF	F REF	H REF	① REF
FJ3113-0810S	M20 x 1.5	8	2.75	1.20	—	1.82	0.88

APPLICATION DATA

LOW & MEDIUM PRESSURE HOSE

HIGH PRESSURE HOSE

SPECIALTY HOSE

ACCESSORIES & ASSEMBLY INSTRUCTIONS

ADAPTERS & TUBE HOSE ENDS

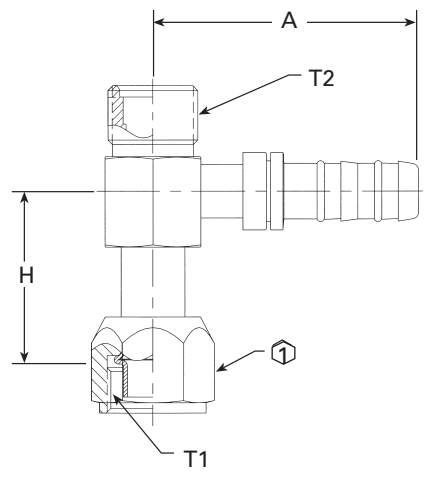
HOSE ASSEMBLY EQUIPMENT

TECHNICAL DATA

E-Z Clip System™

Hose Ends

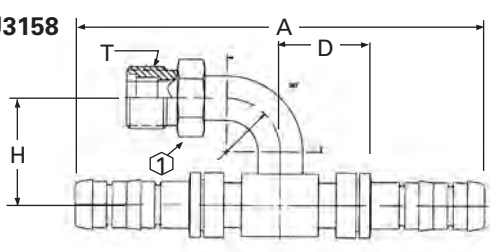
FJ3067
FJ3495



GM Tie In – Metric Tee

PART NUMBER	TH'D "T"	HOSE SIZE	A REF	D REF	F REF	H REF	① REF
FJ3067-1212S	M27 x 2	12	3.12	—	—	2.02	1.25
FJ3495-0808S	M20 x 1.5	8	2.71	—	—	1.68	0.94

EJ3158

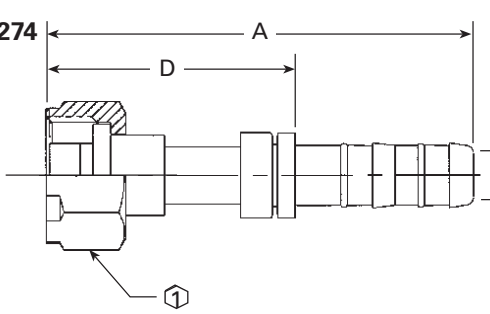


Tee Style Fitting with Male O-ring Connection

PART NUMBER	TH'D "T"	HOSE SIZE	A REF	D REF	F REF	H REF	① REF
EJ3158-101212S	7/8-14	12	5.67	1.26	—	1.49	0.94

*Non-stocked item.

FJ3274

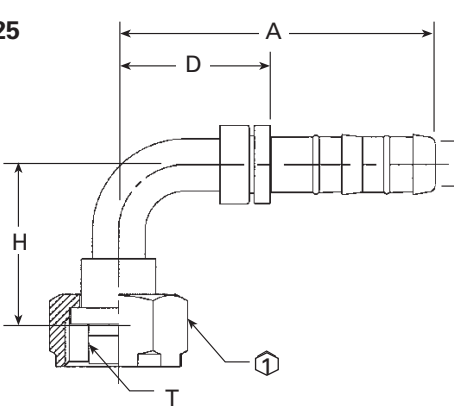


Straight – Female RotaLok

PART NUMBER	TH'D "T"	HOSE SIZE	A REF	D REF	F REF	H REF	① REF
FJ3274-1010S	1-14	10	3.69	2.14	—	—	1.13
FJ3274-1012S*	1-14	12	3.75	2.14	—	—	1.13

*Non-stocked item.

FJ3225



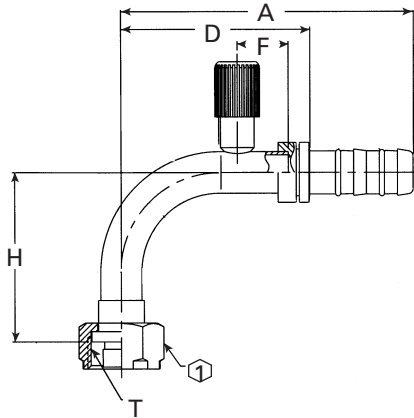
90° Female RotaLok

PART NUMBER	TH'D "T"	HOSE SIZE	A REF	D REF	F REF	H REF	① REF
FJ3225-1010S	1-14	10	2.98	1.43	—	1.52	1.13

E-Z Clip System™

Hose Ends

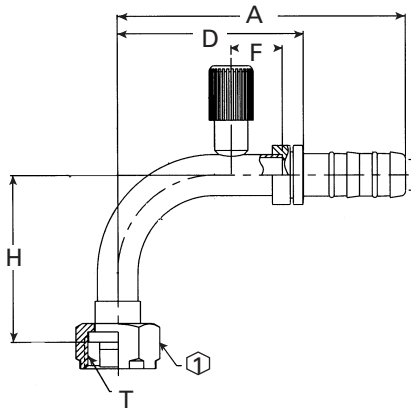
FJ3510



90° Female Rotalok with R134a Low Side Port

PART NUMBER	TH'D "T"	HOSE SIZE	A REF	D REF	F REF	H REF	① REF
FJ3510-1012S	1-14	12	4.48	2.88	.79	2.58	1.13

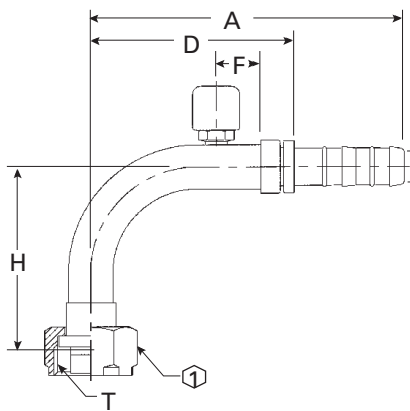
FJ3511



90° Female Rotalok with R134a High Side Port

PART NUMBER	TH'D "T"	HOSE SIZE	A REF	D REF	F REF	H REF	① REF
FJ3511-1010S	1-14	10	4.43	2.88	.79	2.58	1.13

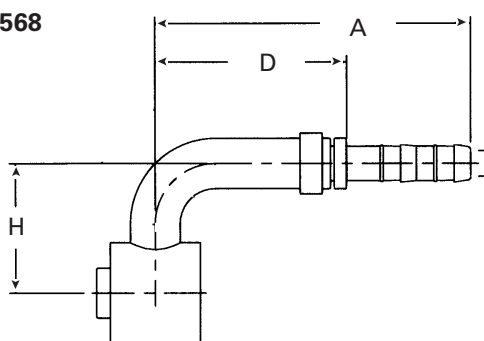
FJ3226



90° Female RotaLok with Switch Port (7/16-20 thread)

PART NUMBER	TH'D "T"	HOSE SIZE	A REF	D REF	F REF	H REF	① REF
FJ3226-1010S	1-14	10	4.43	2.88	0.63	2.56	1.13

FJ3568



90° GM Block Style

PART NUMBER	TH'D "T"	HOSE SIZE	A REF	D REF	F REF	H REF	① REF
FJ3568-1008S	—	8	3.92	2.38	—	1.60	—
FJ3568-1010S	—	10	3.83	2.28	—	2.31	—
FJ3568-1012S	—	12	3.86	2.28	—	2.38	—

APPLICATION DATA

LOW & MEDIUM PRESSURE HOSE

HIGH PRESSURE HOSE

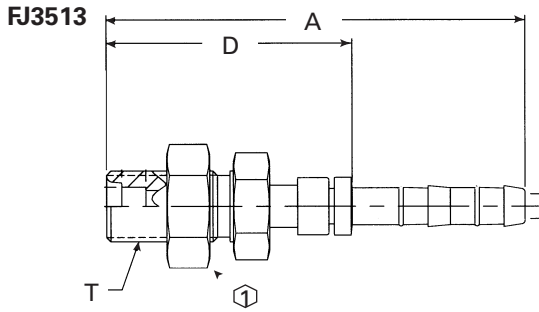
SPECIALTY HOSE

ACCESSORIES & ASSEMBLY INSTRUCTIONS

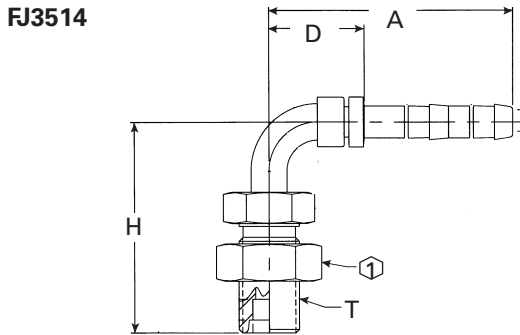
ADAPTERS & TUBE HOSE ENDS

HOSE ASSEMBLY EQUIPMENT

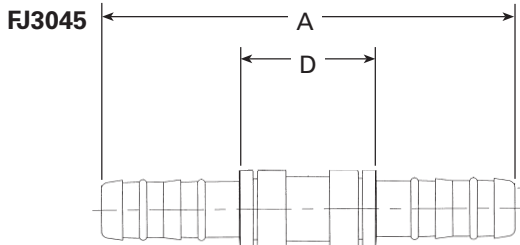
TECHNICAL DATA

E-Z Clip System™**Hose Ends****Straight Bulkhead**

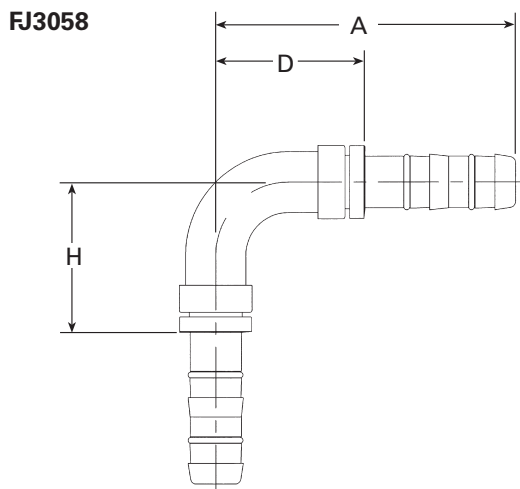
PART NUMBER	TH'D "T"	HOSE SIZE	A REF	D REF	F REF	H REF	① REF
FJ3513-0606S	5/8-18	6	3.69	2.16	—	—	.94
FJ3513-0808S	3/4-16	8	3.93	2.39	—	—	1.0
FJ3513-1010S	7/8-14	10	4.49	2.94	—	—	1.13
FJ3513-1212S	1 1/16-14	12	4.45	2.87	—	—	1.375

**90° Male Bulkhead**

PART NUMBER	TH'D "T"	HOSE SIZE	A REF	D REF	F REF	H REF	① REF
FJ3514-0606S	5/8-18	6	2.50	.98	—	2.15	.94
FJ3514-0808S	3/4-16	8	2.74	1.20	—	2.61	1.0
FJ3514-1010S	7/8-14	10	3.08	1.53	—	3.26	1.13
FJ3514-1012S	7/8-14	12	3.11	1.53	—	3.26	1.13
FJ3514-1212S	1-1/16-14	12	3.69	2.11	—	3.78	1.38

**Straight Splicer**

PART NUMBER	TH'D "T"	HOSE SIZE	A REF	D REF	F REF	H REF	① REF
FJ3045-0606S	—	6	4.63	1.58	—	—	—
FJ3045-0808S	—	8	4.76	1.68	—	—	—
FJ3045-1010S	—	10	5.68	2.58	—	—	—
FJ3045-1212S	—	12	4.72	1.57	—	—	—
FJ3045-1008S	—	10, 8	5.78	2.69	—	—	—

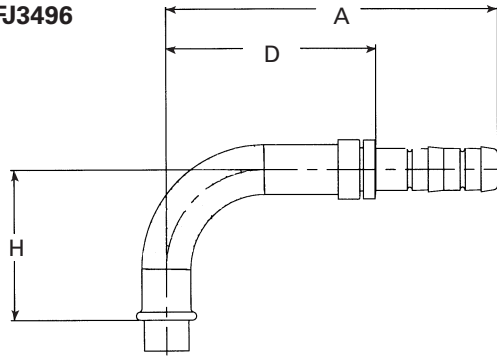
**90° Splicer**

PART NUMBER	TH'D "T"	HOSE SIZE	A REF	D REF	F REF	H REF	① REF
FJ3058-01-0606S	—	6	2.71	1.18	—	2.71	—
FJ3058-02-0808S	—	8	2.98	1.43	—	2.98	—
FJ3058-03-1010S	—	10	3.08	1.53	—	3.08	—
FJ3058-04-1212S	—	12	3.68	2.11	—	3.68	—

E-Z Clip System™

Hose Ends

FJ3496

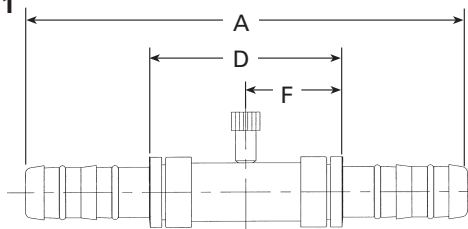


90° Pilot Connection (long pilot)

PART NUMBER	TH'D "T"	HOSE SIZE	A REF	D REF	F REF	H REF	① REF
FJ3496-01-1010S	—	10	4.22	2.67	—	1.89	—

* Consult applications engineer for additional sizes.

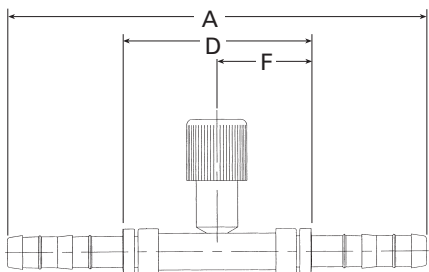
FJ3171



Splicer with SwitchPort 7/16-20Thd

PART NUMBER	TH'D "T"	HOSE SIZE	A REF	D REF	F REF	H REF	① REF
FJ3171-0606S	—	6	5.41	2.36	1.18	—	—
FJ3171-0808S	—	8	5.61	2.52	1.26	—	—
FJ3171-1010S	—	10	5.54	2.44	1.22	—	—
FJ3171-1212S	—	12	5.60	2.44	1.22	—	—

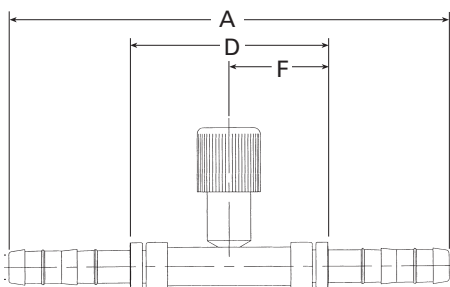
FJ5995



Splicer with High Side R134a Port

PART NUMBER	TH'D "T"	HOSE SIZE	A REF	D REF	F REF	H REF	① REF
FJ5995-0606S	—	6	5.41	2.36	1.18	—	—
FJ5995-0808S	—	8	5.61	2.52	1.26	—	—
FJ5995-1010S	—	10	5.62	2.52	1.26	—	—
FJ5995-1212S	—	12	5.67	2.52	1.26	—	—

FJ5986



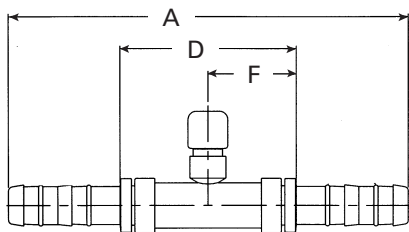
Splicer with R134a Low Side Port

PART NUMBER	TH'D "T"	HOSE SIZE	A REF	D REF	F REF	H REF	① REF
FJ5986-1010S	—	10	5.54	2.44	1.22	—	—
FJ5986-1212S	—	12	5.60	2.44	1.22	—	—
FJ5986-1616S	—	16	6.79	3.40	1.72	—	—

E-Z Clip System™

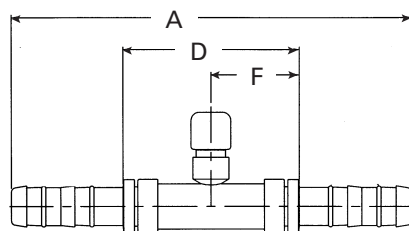
Hose Ends

FJ3427

**Splicer with High Side Switch Port (M10 X 1.25)**

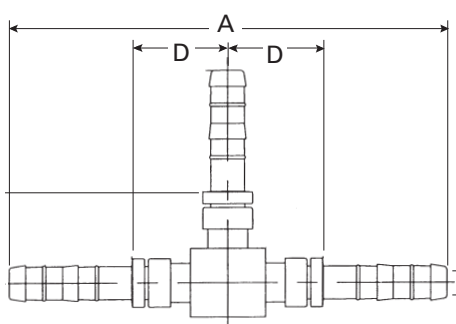
PART NUMBER	TH'D "T"	HOSE SIZE	A REF	D REF	F REF	H REF	① REF
FJ3427-0808S	—	8	5.61	2.52	1.26	—	—
FJ3427-1010S	—	10	5.54	2.44	1.22	—	—

FJ3428

**Splicer with Low Side Switch Port (M12 X 1.25)**

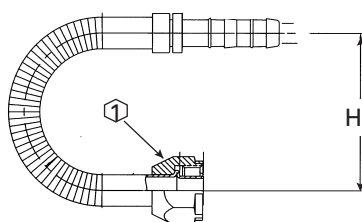
PART NUMBER	TH'D "T"	HOSE SIZE	A REF	D REF	F REF	H REF	① REF
FJ3428-1212S	—	12	5.59	2.44	1.22	—	—

FJ3066

**"T" Splicer – 3 Hose Connector**

PART NUMBER	TH'D "T"	HOSE SIZE	A REF	D REF	F REF	H REF	① REF
FJ3066-0808S	—	8	5.48	2.40	—	—	—
FJ3066-1010S	—	10	5.62	2.52	—	—	—
FJ3066-1212S	—	12	5.67	2.52	—	—	—
FJ3066-101212S	—	10x12x12	5.67	2.52	—	—	—
FJ3066-060808S	—	6 x 8 x 8	5.48	2.40	—	—	—

FJ3623

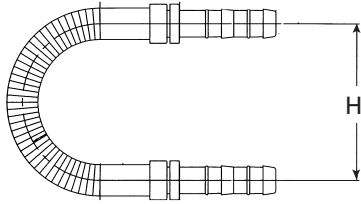
**180° Female O-ring Pilot**

PART NUMBER	TH'D "T"	HOSE SIZE	A REF	D REF	F REF	H REF	① REF
FJ3623-0808S	M20 x 1.5	8	—	—	—	2.50	.94

E-Z Clip System™

Hose Ends

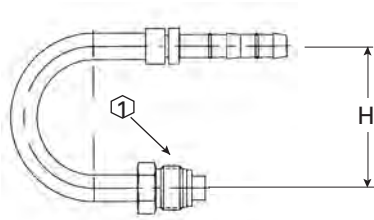
FJ3624



180° Splicer

PART NUMBER	TH'D "T"	HOSE SIZE	A REF	D REF	F REF	H REF	① REF
FJ3624-0808S	—	8	—	—	—	2.50	—

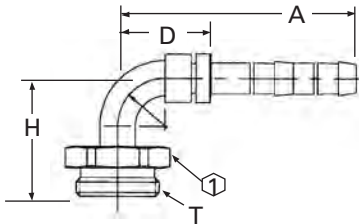
FJ3804



180° Male O-ring

PART NUMBER	TH'D "T"	HOSE SIZE	A REF	D REF	F REF	H REF	① REF
FJ3804-0606S	5/8-18	6	—	—	—	2.00	.625

FJ3914



90° 5400 Coupling Thread

PART NUMBER	TH'D "T"	HOSE SIZE	A REF	D REF	F REF	H REF	① REF
FJ3914-03-1210S	1 1/4-18	10	3.08	1.53	—	1.73	1.375
FJ3914-04-0806S	7/8-20	6	2.5	0.98	—	1.23	1.000

APPLICATION DATA

LOW & MEDIUM PRESSURE HOSE

HIGH PRESSURE HOSE

SPECIALTY HOSE

ACCESSORIES & ASSEMBLY INSTRUCTIONS

ADAPTERS & TUBE HOSE ENDS

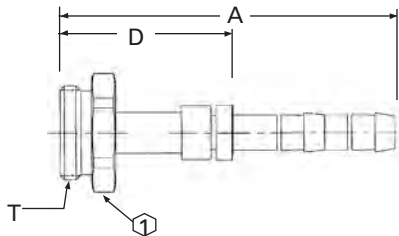
HOSE ASSEMBLY EQUIPMENT

TECHNICAL DATA

E-Z Clip System™

Hose Ends

FJ3970



Straight 5400 Coupling Thread

PART NUMBER	TH'D "T"	HOSE SIZE	A REF	D REF	F REF	H REF	① REF
FJ3970-0606S	7/8-20	6	3.14	1.82	—	—	1.000

FJ3734

Female O-ring (Long Pilot) Compound Tube

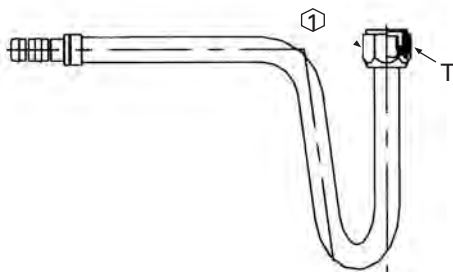
PART NUMBER	TH'D "T"	HOSE SIZE	A REF	D REF	F REF	H REF	① REF
FJ3734-1212S	1 1/16-14	12	—	—	—	—	1.25



FJ3801

Female O-ring (Long Pilot) Compound Tube

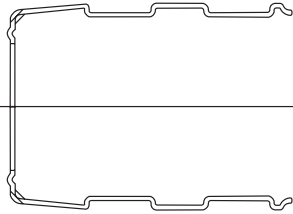
PART NUMBER	TH'D "T"	HOSE SIZE	A REF	D REF	F REF	H REF	① REF
FJ3801-1212S	1 1/16-14	12	—	—	—	—	1.25



E-Z Clip System™

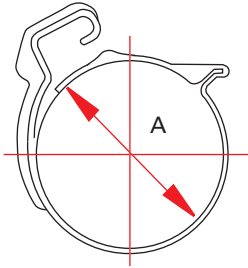
Cages, Clips and Lifesavers

Cages / Fitting to Hose Attachment



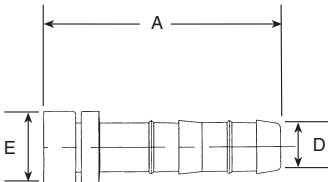
PART NUMBER	CAGE SIZE	HOSE DESCRIPTION
1F40105-04C	-04	Cages for size -04 hose
1F40105-06C	-06	Cages for size -06 hose
1F40105-08C	-08	Cages for size -08 hose
1F40105-10C	-10	Cages for size -10 hose
1F40105-12C	-12	Cages for size -12 hose
1F40105-16C	-16	Cages for size -16 hose

Clips Hose / Cage Connection



PART NUMBER	A REF	DESCRIPTION
1F40104-04C	14 mm	Clips for size -04 hose
1F40104-06C	18 mm	Clips for size -06 hose
1F40104-08C	20.5 mm	Clips for size -08 hose
1F40104-10C	23 mm	Clips for size -10 hose
1F40104-12C	27.5 mm	Clips for size -12 hose
1F40104-16C	33 mm	Clips for size -16 hose

Lifesaver Braze Nipple



PART NUMBER	TH'D "T"	HOSE SIZE	A REF
FF12262-0606S*	—	6	2.01
FF12262-0608S*	—	8	2.02
FF12262-0808S*	—	8	2.02
FF12262-0810S*	—	10	2.03
FF12262-1010S*	—	10	2.03
FF12262-1012S*	—	12	2.06
FF12262-1212S*	—	12	2.11

*O-rings packaged separately in kit.

E-Z Clip System

Assembly Tools

Pliers / Connecting Tool



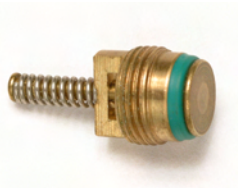
CATALOG NUMBER	DESCRIPTION
FT1357	Connecting Tool
FT1417	Size 16 Connecting Tool Only

Hose Cutter



CATALOG NUMBER	DESCRIPTION
T-135	Plastic Tube and Hose Cutter
T-135B	Replacement Blade

Core Tools



FF90192-02



FF90192-01

CATALOG NUMBER	DESCRIPTION
FF90192-02	High Side Core*
FF90192-01	Low Side Core*
FF90193-02	High Side Cap
FF90193-01	Low Side Cap
FF9872-04	Cap for 7/16-20 Thd. port

*For Weatherhead high flow charge ports only.



FF90193-02, FF90193-01



FF9872-04

E-Z Clip Components

Ordering & Identifying



The E-Z Clip System is designed for assembly with Weatherhead GH134W Multi-Refrigerant hose. Its engineered connection exceeds SAE J2064 and has been vibration and impulse tested.

The benefits of E-Z Clip are virtually endless:

- No guess work
- No leaking crimps
- No power supply needed
- As easy to use as a pair of pliers
- Easy to use in confined areas

Assembly Materials Checklist

- Pliers (FT1357)
- Guillotine blade (T-135) or equivalent cutting tool
- Refrigerant oil compatible with refrigeration or A/C system
- GH134W Multi-Refrigerant hose
- Nipple assembly*
- Appropriately sized clips and cage

*The two black o-rings on the nipple assembly are of a specific rubber compound and size. They should NOT be removed.



E-Z Clip System Components Are Simple to Identify, Order and Use

ORDERING INFORMATION

Hose	Nipple	Cage	Clips
GH134-6W	FJ__-__06S	1F40105-06C	1F40104-06C
GH134-8W	FJ__-__08S	1F40105-08C	1F40104-08C
GH134-10W	FJ__-__10S	1F40105-10C	1F40104-10C
GH134-12W	FJ__-__12S	1F40105-12C	1F40104-12C
GH134-16W*	FJ__-__16S	1F40105-16C	1F40104-16C

IDENTIFICATION GUIDE

Hose	Cage	Clips	Nipple O-Ring*(HNBR)
GH134-6W	-6 and 150	150	1F40106-06
GH134-8W	-8 and 175	175	1F40106-08
GH134-10W	-10 and 200	200	1F40106-10
GH134-12W	-12 and 245	245	1F40106-12
GH134-16W	-16 and 285	285	1F40106-16C

* The o-ring shown must be used on the hose nipple.
NO substitution can be made, without potential of failure.

For Example...



Hose



Cage



Cage Groove



Clips

* See assembly instructions in document # W-HOAC-MS002-E

E-Z Clip System

Assembly Instructions

Step 1. Cut the Hose

Cut the hose to proper length with an appropriate cutting tool. The Weatherhead hand-held hose cutter (T-135) has been specifically designed for cutting all non-wire reinforced hose, such as GH134W Multi-Refrigerant hose. Be sure the cut is made square to the hose length.



Step 2. Slip on Two Clips

Install two proper-sized clips onto the cut end of the hose. Orientation of the clips does not affect the performance of the connection. However, for ease of assembly, both clips should have the same orientation.



NOTE:

Failure to slide the clips over the hose at this time will require the clips to be stretched over the hose or fitting later. This may permanently damage the clip.

Step 3. Oil the Nipple

Lubricate the nipple with a generous amount of the refrigeration or A/C system's compressor lubricating oil. This **MUST** be done to lower the force of nipple insertion.



NOTE:

Be sure to wipe excess oil from the nipple and hose.

Step 4. Insert the Nipple into the Hose

To ensure that the nipple is fully inserted, check the gap between the cut end of the hose and the shoulder on the nipple.

Care should be taken to avoid kinking or other damage to the hose during nipple insertion.



This step **MUST** be performed to ensure:

1. The clips will be located over the o-rings on the nipple.
2. The connection will be compatible with the connection's pressure rating.

Step 5. Snap on the Cage

Snap the cage into the groove on the nipple. The arms should extend over the hose length. When the cage has been correctly installed in the cage groove, the cage will be able to rotate in the groove.

E-Z Clip System

Assembly Instructions (cont.)

Step 6: Slide the Clips

Slide the clips over the cage arms and into the channels on each arm



Step 7: Close the Clips

Use the FT1357 pliers to close the clips. The pliers should be positioned squarely on the clip connection points and should remain square during the closing of the clip.



For easiest assembly, the clasp should be closed between the cage arms.

The nose of the pliers should be firmly seated under the assembly bump and lock latch.



For easiest assembly, the clasp should be closed between the cage arms. If the pliers are not kept square during closing of the clip, the clasp may have an offset. Use the pliers to correct the clasp alignment.

Notice

E-Z Clip components should not be reused.

⚠ CAUTION

Failure to follow these assembly instructions and/or the use of Weatherhead hose with Hose Ends supplied by other manufacturers may result in unreliable and unsafe hose assemblies, which may result in sudden or unintended escape of refrigerant gases. Personal injury and/or violations of EPA regulations may occur as a consequence.

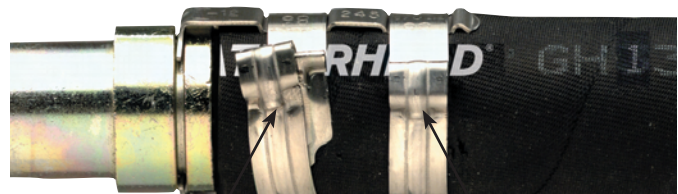
Eaton recommends adherence to all guidelines, including EPA guidelines, concerning the service of refrigerant systems.



Correct



Incorrect



Incorrect

Correct