



EAT•N Weatherhead

Introducing E-Z Clip® For GH134-16W



WEATHERHEAD®

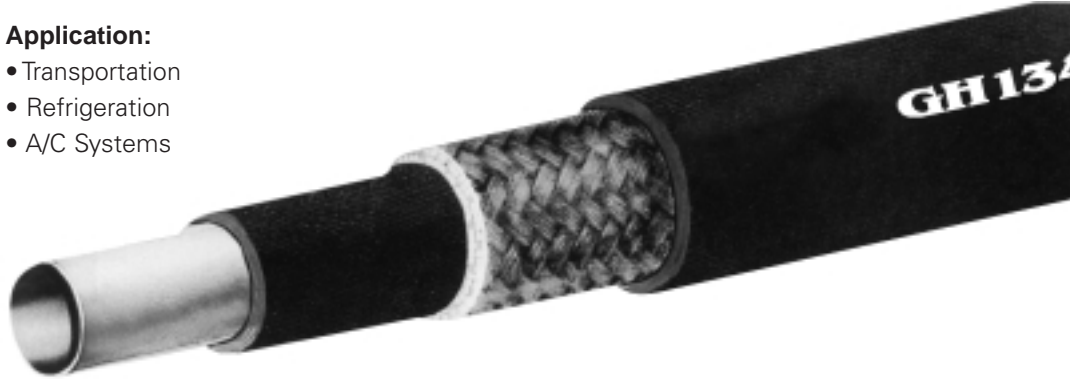
E-Z Clip System

GH134W Multi-Refrigerant Hose

SAE J2064
Type E Class 1

Application:

- Transportation
- Refrigeration
- A/C Systems

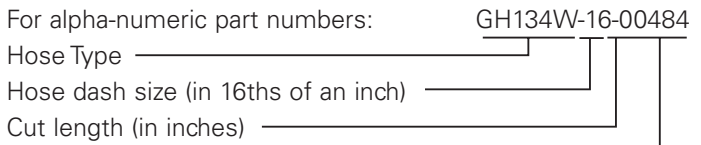


PART NUMBER	HOSE I.D.	HOSE O.D.	MAXIMUM OPERATING PRESSURE	E-Z CLIP MINIMUM BURST PRESSURE	MINIMUM BEND RADIUS	WEIGHT PER FOOT
	MM/INCHES	MM/INCHES	BAR/PSI	BAR/PSI	MM/INCHES	POUNDS
GH134-16W	22.4/.88	31.2/1.23	35/500	140/2000	127/7.0	.22

Operating Temperature: -40°F to +275°F (-40°C to 135°C)

Cut Length Hose

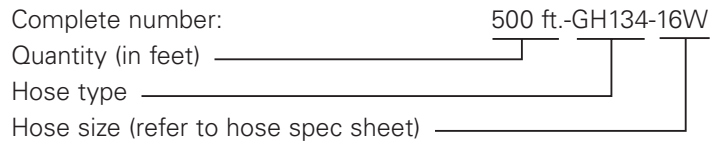
Cut lengths of hose should be ordered as shown below by specifying lengths in inches.



Last digit is in 8ths of an inch. Example: 00484 = 48 1/2 inches

Bulk Hose

Bulk hose should be ordered by specifying length in feet as shown below:



Reel Hose

GH134-16W is not available on reels at this time.

Warning

E-Z Clip has been designed and engineered to work EXCLUSIVELY with Weatherhead GH134W hose.

Warning

Weatherhead fitting tolerances are engineered to match Weatherhead hose tolerances. The use of Weatherhead fittings on

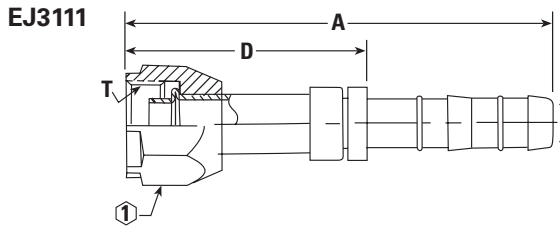
hose supplied by other manufacturers and/or the use of Weatherhead hose with fittings supplied by other manufacturers may result in the production of unreliable and unsafe hose assemblies and is not authorized by Eaton.

EATON SHALL NOT BE SUBJECT TO AND DISCLAIM ANY OBLIGATIONS OR LIABILITIES (INCLUDING

BUT NOT LIMITED TO ALL CONSEQUENTIAL, INCIDENTAL AND CONTINGENT DAMAGES) ARISING OUT OF BREACH OF CONTRACT OR OF WARRANTY OR ARISING FROM TORT CLAIMS (INCLUDING WITHOUT LIMITATION NEGLIGENCE AND STRICT LIABILITY) OR OTHER THEORIES OF LAW WITH RESPECT TO ANY HOSE

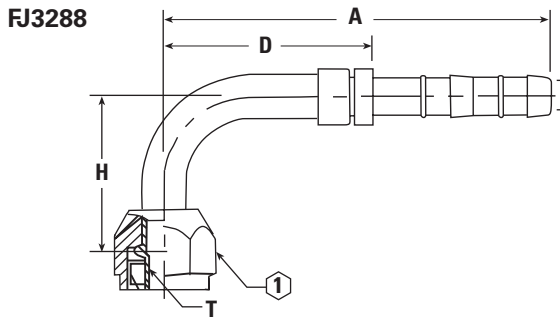
ASSEMBLIES NOT PRODUCED FROM GENUINE WEATHERHEAD HOSE FITTINGS, HOSE AND WEATHERHEAD APPROVED EQUIPMENT, AND IN CONFORMANCE WITH WEATHERHEAD PROCESS AND PRODUCT INSTRUCTIONS FOR EACH SPECIFIC HOSE ASSEMBLY.

E-Z Clip System Fittings



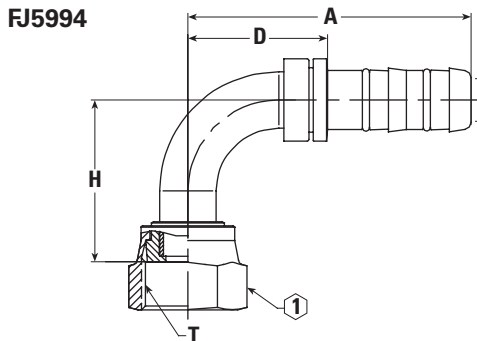
Straight – Female O-ring (long pilot)

PART NUMBER	TH'D "T"	HOSE SIZE	A REF	D REF	F REF	H REF	① REF
EJ3111-1216S	1 1/16-14	16	4.35	2.67	—	—	1.25



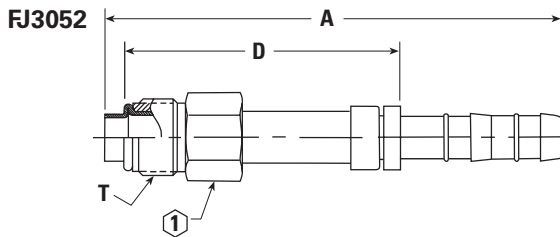
90° Female O-ring (long pilot)

PART NUMBER	TH'D "T"	HOSE SIZE	A REF	D REF	F REF	H REF	① REF
FJ3288-05-1016S	7/18-14	16	4.40	2.72	—	1.89	1.06
FJ3288-06-1216S	1 1/16-14	16	4.84	3.16	—	2.58	1.25



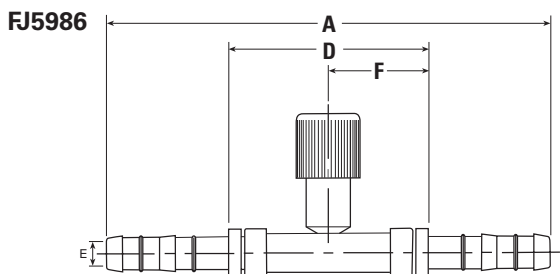
90° Female ORS

PART NUMBER	TH'D "T"	HOSE SIZE	A REF	D REF	F REF	H REF	① REF
FJ5994-08-1216S	1 3/16-12	16	3.46	1.78	—	1.9	1 3/8



90° Male O-ring (long pilot)

PART NUMBER	TH'D "T"	HOSE SIZE	A REF	D REF	F REF	H REF	① REF
FJ3052-1016S	7/8-18	16	4.33	2.47	—	—	0.88
FJ3052-1216S	1 1/16-16	16	4.28	2.42	—	—	1.06



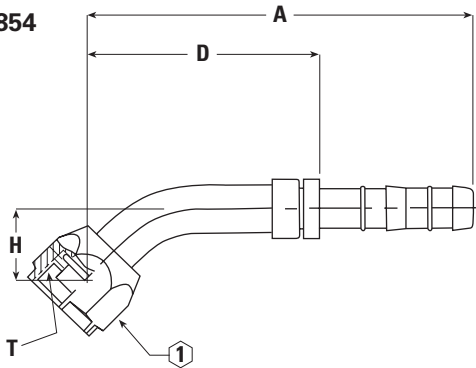
90° Male O-ring (long pilot)

PART NUMBER	TH'D "T"	HOSE SIZE	A REF	D REF	F REF	H REF	① REF
FJ5986-1616S	—	16	6.79	3.4	1.72	—	—

E-Z Clip System Fittings

Special Order

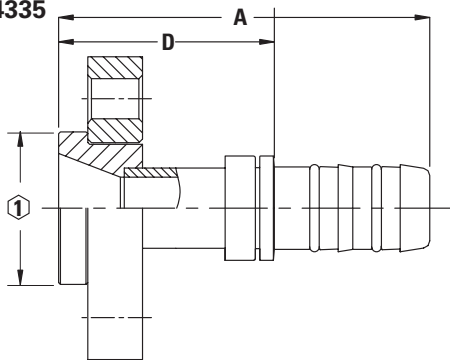
GA23854



45° Female O-ring (long pilot)

PART NUMBER	TH'D "T"	HOSE SIZE	A REF	D REF	F REF	H REF	① REF
GA23854-12-16	1 1/16-14	16	5.125	3.175	—	1.39	32mm

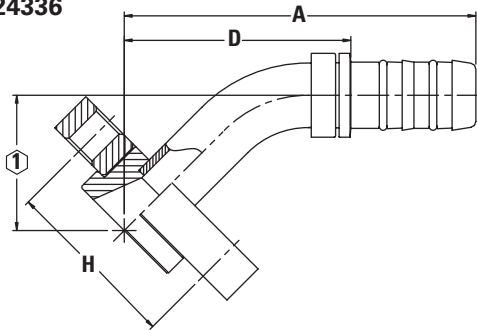
GA24335



Straight Bock Compressor Fitting

PART NUMBER	TH'D "T"	HOSE SIZE	A REF	D REF	F REF	H REF	① REF
GA24335-22-16	—	16	4.01	2.33	—	—	1.65

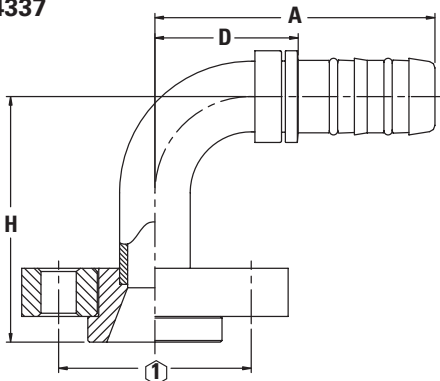
GA24336



45° Bock Compressor Fitting

PART NUMBER	TH'D "T"	HOSE SIZE	A REF	D REF	F REF	H REF	① REF
GA24336-22-16	—	16	4.72	3.04	—	1.81	1.65

GA24337



90° Bock Compressor Fitting

PART NUMBER	TH'D "T"	HOSE SIZE	A REF	D REF	F REF	H REF	① REF
GA24337-22-16	—	16	3.44	1.76	—	3.01	1.65

E-Z Clip Components

Ordering & Identifying



The E-Z Clip System is designed for assembly with Weatherhead GH134W Multi-Refrigerant hose. Its engineered connection exceeds SAE J2064 and has been vibration and impulse tested.

The benefits of E-Z Clip are virtually endless:

- No guess work
- No leaking crimps
- No power supply needed
- As easy to use as a pair of pliers
- Easy to use in confined areas

Assembly Materials Checklist

- Pliers (FT1417)
- Guillotine blade (FT1356) or equivalent cutting tool
- Refrigerant oil compatible with refrigeration or A/C system
- GH134W Multi-Refrigerant hose
- Nipple assembly*
- Appropriately sized clips and cage

*NOTE:

The two black O-rings on the nipple assembly are of a specific rubber compound and size. They should NOT be removed or replaced.



E-Z Clip System Components Are Simple to Identify, Order and Use

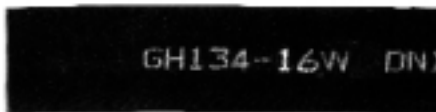
ORDERING INFORMATION

Hose	Nipple	Cage	Clips
GH134-16W	FJ__-__16S	1F40105-16C	1F40104-16C

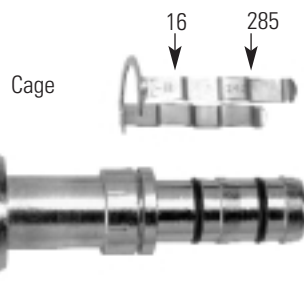
IDENTIFICATION GUIDE

Hose	Cage	Clips	Nipple O-Ring (HNBR)
GH134-16W	-16 and 285	285	1F40106-16

For Example...



Hose



Cage Groove



Clips

E-Z Clip System

Assembly Instructions

Step 1. Cut the Hose

Cut the hose to proper length with an appropriate cutting tool. Weatherhead's hand-held hose cutter (FT1356) has been specially designed for cutting all non-wire reinforced hose, such as GH134W Multi-Refrigerant hose. Be sure the cut is made square to the hose length.



Step 2. Slip on Two Clips

Install two proper-sized clips onto the cut end of the hose. Orientation of the clips does not affect the performance of the connection. However, for ease of assembly, both clips should have the same orientation.

NOTE: Failure to slide the clips over the hose at this time will require the clips to be stretched over the hose or fitting later. This may permanently damage the clip.



Step 3. Insert the Nipple into the Hose

Insert the nipple into the hose. To ensure that the nipple is fully inserted, check the gap between the cut end of the hose and the shoulder on the nipple. Care should be taken to avoid kinking or other damage to the hose during nipple insertion.



Step 4. Snap on the Cage

Snap the cage into the groove on the nipple. The arms should extend over the hose length. When the cage has been correctly installed in the cage groove, the cage will be able to rotate in the groove. This step MUST be performed to ensure:

1. The clips will be located over the O-rings on the nipple.
2. The connection will be compatible with the connection's pressure rating.



E-Z Clip System

Assembly Instructions (cont.)

Step 5: Slide the Clips

Slide the clips over the cage arms and into the channels on each arm.

-16 Clips can be detached & related on the open position.

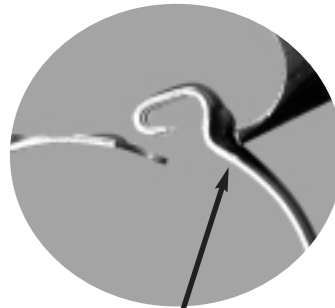
Step 6: Close the Clips

Use the **FT1357** or **FT1417** pliers to close the clips. The pliers should be positioned squarely on the clip connection points and should remain square during the closing of the clip.

-6 to -12: Nose of the pliers should be firmly seated under the assembly bump and lock latch.

If the pliers are not kept square during closing of the clip, the clasp may have an offset. Use the pliers to correct the clasp alignment.

FT1357 pliers



Correct



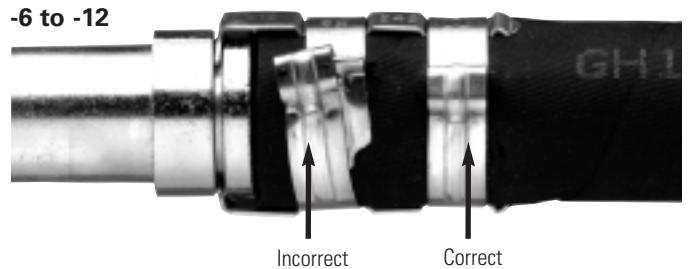
Incorrect

For easiest assembly, the clasp should be closed between the cage arms.

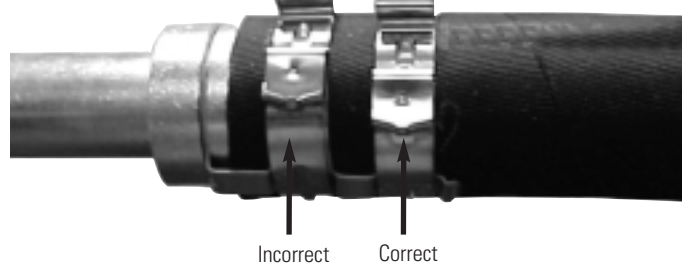
-16 Only

Be sure latch is full seated - if not, gently tap top latch until fully seated. See photo.

FT1417 pliers



-16 Only



Notice

E-Z Clip components should not be reused. For recommendations on cleaning and routing hose assemblies, please consult Assembly Bulletin A-HOAS-MR001-E.

-16 pliers: Manually indexing nose allows for offset assembly. 8mm wrench is required.



CAUTION: Failure to follow these assembly instructions and/or the use of Weatherhead hose with fittings supplied by other manufacturers may result in unreliable and unsafe hose assemblies, which may result in sudden or unintended escape of refrigerant gases. Personal injury and/or violations of EPA regulations may occur as a consequence. Eaton recommends adherence to all guidelines, including EPA guidelines, concerning the service of refrigerant systems.

Eaton
14615 Lone Oak Road
Eden Prairie, MN 55344
USA
Tel: 952 937-9800
Fax: 952 974-7722
www.hydraulics.eaton.com

Eaton
20 Rosamond Road
Footscray
Victoria 3011
Australia
Tel: (61) 3 9319 8222
Fax: (61) 3 9318 5714

Eaton
Dr.-Reckeweg-Str. 1
D-76532 Baden-Baden
Germany
Tel: (49) 7221 682-0
Fax: (49) 7221 682-788

WEATHERHEAD[®]



Weatherhead

© 2004 Eaton Corporation
All Rights Reserved
Printed in USA
Document No. W-HOAC-MS001-E
September 2004