

Weatherly Index 630-4
CATALOG NO. W-HOAC-MC001-E1
Dated August 2005
Supersedes W-HOAC-MC001-E

EAT•N

Weatherhead

A/C & Refrigeration Hose & Fittings



Table of Contents

| | |
|---|----|
| How to Use This Catalog..... | 3 |
| E-Z Clip System™..... | 4 |
| O-rings..... | 6 |
| E-Z Clip Fittings..... | 8 |
| E-Z Clip Cages and Clips..... | 28 |
| E-Z Clip Assembly Tools..... | 29 |
| E-Z Clip Components/Ordering and Identifying..... | 30 |
| E-Z Clip Assembly Instructions..... | 31 |

Tables

| PART # | DESCRIPTION | PAGE | PART # | DESCRIPTION | PAGE |
|---------|--|------|---------|--|--------|
| EJ3158 | Tee Style Fitting w/O-ring Connection..... | .21 | FJ3225 | Female RotaLok..... | .21 |
| FF12262 | Lifesaver..... | .28 | FJ3226 | Female RotaLok w/Switch Port..... | .22 |
| FF90178 | O-ring..... | 6 | FJ3230 | Female O-ring w/Switch Port (LP)..... | .11 |
| FJ3012 | Female O-ring..... | .11 | FJ3274 | Female RotaLok..... | .21 |
| FJ3013 | Male O-ring (SP)..... | .12 | FJ3288 | Female O-ring (LP)..... | 9 |
| FJ3019 | Male O-ring (SP)..... | .14 | FJ3289 | Female O-ring w/Switch Port (LP)..... | .12 |
| FJ3026 | Male Tube-O (Mach)..... | .15 | FJ3319 | Female ORS..... | .18 |
| FJ3045 | Splicer..... | .23 | FJ3363 | Female O-ring (SP) w/R134a Port & Switch Port..... | 10, 11 |
| FJ3047 | Female O-ring (LP)..... | .12 | FJ3408 | Female O-ring (LP) Metric..... | 8 |
| FJ3052 | Male O-ring..... | .13 | FJ3409 | Female O-ring (LP) Metric..... | .19 |
| FJ3053 | Female O-ring (SP)..... | 9 | FJ3416 | Female O-ring (LP) w/Switch Port..... | .10 |
| FJ3054 | Female O-ring (SP)..... | 9 | FJ3427 | Splicer..... | .25 |
| FJ3055 | Female O-ring (SP)..... | 8 | FJ3428 | Splicer..... | .25 |
| FJ3056 | Male Tube-O (Mach)..... | .15 | FJ3444 | Female O-ring (LP) w/Switch Port..... | .13 |
| FJ3057 | SAE 45° Female Swivel..... | .16 | FJ3460 | Female O-ring (LP) w/Switch Port..... | .13 |
| FJ3058 | Splicer..... | .21 | FJ3461 | Female O-ring (LP) w/Switch Port..... | .10 |
| FJ3059 | Flare..... | .16 | FJ3495 | GM Tie In..... | .21 |
| FJ3066 | Tee..... | .25 | FJ3496 | 90° Pilot Connection (LP)..... | .24 |
| FJ3067 | GM Tie In..... | .21 | FJ3509 | 90° (JIC) Female Swivel..... | .17 |
| FJ3111 | Female Tube-O-Swivel (LP)..... | .19 | FJ3510 | Female Rotalock w/C Port..... | .22 |
| FJ3112 | Female Tube-O-Swivel (LP)..... | .20 | FJ3511 | Female Rotalock w/C Port..... | .22 |
| FJ3113 | Male O-ring..... | .20 | FJ3513 | Straight Bulkhead..... | .23 |
| FJ3116 | Male O-ring..... | .13 | FJ3514 | 90° Bulkhead..... | .23 |
| FJ3131 | Male O-ring..... | .14 | FJ3568 | GM Block Style..... | .22 |
| FJ3132 | Male O-ring..... | .14 | FJ3623 | 180° Female O-ring..... | .25 |
| FJ3133 | SAE 45° Flare..... | .17 | FJ3624 | 180° Splicer..... | .26 |
| FJ3134 | Male O-ring..... | .14 | FJ5984 | Female O-ring (SP)..... | 8 |
| FJ3135 | Male O-ring..... | .15 | FJ5985 | Female O-ring (SP)..... | 9 |
| FJ3136 | Male O-ring (LP)..... | .19 | FJ5986 | Splicer..... | .24 |
| FJ3149 | Flare..... | .17 | FJ5994 | 90° ORS Swivel (To become PN# GA23913 2/03)..... | .18 |
| FJ3161 | ORS Female Swivel..... | .18 | FJ5995 | Splicer..... | .24 |
| FJ3162 | Female O-ring (LP)..... | .10 | GH134 | Multi-Refrigerant Hose..... | 5 |
| FJ3163 | Female O-ring (SP)..... | .12 | GA23911 | Straight ORS Female Swivel..... | .18 |
| FJ3171 | Splicer..... | .24 | GA23912 | 45° ORS Female Swivel..... | .18 |
| FJ3192 | Female O-ring (LP)..... | .19 | | | |

(SP - Short Pilot) (LP - Long Pilot)

How to Use This Catalog

Accurate processing and prompt delivery of your order depend on easy identification of your requirements. Please order Weatherhead parts using correct part numbers as described in this catalog. Inquiries and orders should be directed to your Weatherhead Distributor or:

Eaton
14615 Lone Oak Road
Eden Prairie, MN 55344
USA
Tel: 952 937-9800
Fax: 952 974-7722
www.hydraulics.eaton.com

Part Numbers and Dash Sizes

The first two numbers of the dash size of each part number, (example: -0608) indicates the size of the terminal, or connecting end. The second two numbers of the dash sizes (example: -0608) indicates the hose size. In the example -0608, 08 is the hose size.

Dimensions

Dimensions given in this catalog for Weatherhead products are approximate and should be used for reference only. Exact dimensional information for a given product is subject to change and varying tolerances; contact Eaton directly for full current information.

Reeled Hose

GH134 hose is available on reels. Maximum number of lengths per reel is five (5). The approximate lengths per reel are shown below:

| PART NUMBER | AVG # FT/REEL | MAX # PIECES/REEL |
|-------------|---------------|-------------------|
| GH134-6WRL | 560 | 5 |
| GH134-8WRL | 575 | 5 |
| GH134-10WRL | 550 | 5 |
| GH134-12WRL | 367 | 5 |

50-foot lengths:

| PART NUMBER | 50 FT/BOX | MAX # PIECES/REEL |
|--------------|-----------|-------------------|
| GH134-6WR50 | 50 | 1 |
| GH134-8WR50 | 50 | 1 |
| GH134-10WR50 | 50 | 1 |
| GH134-12WR50 | 50 | 1 |

General Information

Flexible hose lines offer many advantages over rigid tubing including routing ease, vibration absorption, sound deadening and the ability to accommodate movement of connected components. However, hose lines require caution in use – not only to provide long service – but also to guard against potentially dangerous failure.

Important

Special care should be taken when selecting the proper refrigerant hose and fittings. The information contained in this bulletin is provided as a general guide to assist in making the appropriate product selection. This guide does not address every parameter that must be considered when selecting a product. The user must make the final product selection in consideration of the user's unique requirements.

Additionally, special care must be taken when working with refrigerant systems. Sudden escape of refrigerant gases may result in blindness or severe injury. Eaton recommends adherence to the guidelines and general practices as defined in SAE J2211 for the service and containment

of HFC-134a, as well as all applicable EPA guidelines and procedures concerning the service of refrigerant systems.



Warning

Weatherhead fitting tolerances are engineered to match Weatherhead hose tolerances. The use of Weatherhead fittings on hose supplied by other manufacturers and/or the use of Weatherhead hose with fittings supplied by other manufacturers may result in the production of unreliable and unsafe hose assemblies and is not authorized by Eaton.

EATON SHALL NOT BE SUBJECT TO AND DISCLAIMS ANY OBLIGATIONS OR LIABILITIES (INCLUDING BUT NOT LIMITED TO

ALL CONSEQUENTIAL, INCIDENTAL AND CONTINGENT DAMAGES) ARISING OUT OF BREACH OF CONTRACT OR OF WARRANTY OR ARISING FROM TORT CLAIMS (INCLUDING WITHOUT LIMITATION NEGLIGENCE AND STRICT LIABILITY) OR OTHER THEORIES OF LAW WITH RESPECT TO ANY HOSE ASSEMBLIES NOT PRODUCED FROM GENUINE WEATHERHEAD HOSE FITTINGS, HOSE AND WEATHERHEAD APPROVED EQUIPMENT, AND IN CONFORMANCE WITH WEATHERHEAD PROCESS AND PRODUCT INSTRUCTIONS FOR EACH SPECIFIC HOSE ASSEMBLY.

E-Z Clip System™ Tool Case

Part # FF12139

NOTE:

The E-Z Clip System has been designed to work exclusively with Weatherhead GH134 Hose.



| KIT CONTENTS COMPONENTS PART NUMBER | DESCRIPTION | QTY/PER KIT |
|-------------------------------------|-------------------|--------------|
| 1F40104-size | Clips | 20 each size |
| 1F40105-size | Cages | 10 each size |
| FT1357 | Assy. Tool | 1 |
| T-135 | Hose Cutter | 1 |
| T-135B | Replacement Blade | 1 |

E-Z Clip System™

GH134 Multi-Refrigerant Hose

SAE J2064
Type E Class 1



| PART NUMBER | HOSE I.D. | HOSE O.D. | MAXIMUM OPERATING PRESSURE | E-Z CLIP MINIMUM BURST PRESSURE | MINIMUM BEND RADIUS | WEIGHT PER FOOT |
|-------------|-----------|-----------|----------------------------|---------------------------------|---------------------|-----------------|
| | MM/INCHES | MM/INCHES | BAR/PSI | BAR/PSI | MM/INCHES | POUNDS |
| GH134-6W | 7.9/.31 | 14.7/.58 | 35/500 | 140/2000 | 50/2.00 | .09 |
| GH134-8W | 10.3/.41 | 17.8/.70 | 35/500 | 140/2000 | 63/2.50 | .12 |
| GH134-10W | 12.7/.50 | 19.8/.78 | 35/500 | 140/2000 | 76.2/3.00 | .15 |
| GH134-12W | 15.9/.63 | 24.9/.98 | 35/500 | 140/2000 | 101.6/4.00 | .18 |

Application: Transportation, refrigeration and air conditioning systems.

Operating Temperature Range: -22°F to +257°F (-30°C to +125°C).

R404a Effusion: .2 lbs./ft²/yr. at 140°F (.8 kg./m²/yr. at 60°C)

HFC 134a Effusion: .50 lbs./ft²/yr. at 176°F (2.42 kg./m²/yr. at 80°C)

R22 Effusion: 27.7 lbs./ft²/yr. at 158°F (135 kg./m²/yr. at 70°C)

R407C Effusion: 20 kg./m²/yr. at 80°C

Moisture Ingression: .08 gm./in²/yr. (.013/cm²/yr)

Features

- Internal polyamide veneer tube
- Synthetic-rubber backing layer
- Stabilized, synthetic braided reinforcement
- Chlorobutyl rubber cover
- E-Z Clip fittings

Benefits

- Excellent effusion resistance
- Maximum resistance to moisture ingress
- Extended service performance
- Superior flexibility
- Assured coupling integrity, exceeds SAE J2064 performance



Warning

E-Z Clip has been designed and engineered to work EXCLUSIVELY with Weatherhead GH134 hose.

For information regarding other refrigerants and lubricants, please contact Eaton customer service at 952-937-9800.

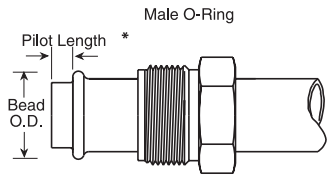
E-Z Clip System

End Connections & O-Rings

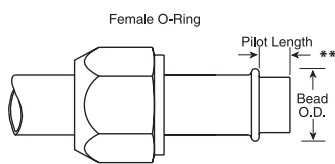
How to Identify O-Ring Pilot Thread Sizes

This connection is common to air conditioning systems, both in vehicle and commercial applications. Both the male and female halves of the connections have a pilot, either long or short.

The seal takes place by compressing an O-ring adjacent to the bead of the tube. The threads hold the connection together mechanically.



| INCH SIZE | DASH SIZE | MALE THREAD O.D. (INCH) | | | FEMALE THREAD I.D. (INCH) | | |
|-----------|-----------|-------------------------|----------|---------|---------------------------|------------------|---------|
| | | NOMINAL THREAD | FRACTION | DECIMAL | THREAD | NOMINAL FRACTION | DECIMAL |
| 3/8 | 06 | 5/8 - 18 | 5/8 | .62 | 5/8 - 18 | 9/16 | .57 |
| 1/2 | 08 | 3/4 - 18 | 3/4 | .75 | 3/4 - 16 | 11/16 | .69 |
| 5/8 | 10 | 7/8 - 18 | 7/8 | .87 | 7/8 - 14 | 13/16 | .81 |
| 3/4 | 12 | 1-1/16 -16 | 1-1/16 | 1.06 | 1-1/16 -16 | 1 | .99 |



| INCH SIZE | NOMINAL TUBE SIZE | LONG PILOT** | | SHORT PILOT* | |
|-----------|-------------------|------------------|--------------|------------------|--------------|
| | | BEAD O.D. (INCH) | PILOT LENGTH | BEAD O.D. (INCH) | PILOT LENGTH |
| 3/8 | 06 | .52 | .28 | .52 | .19 |
| 1/2 | 08 | .64 | .39 | .64 | .19 |
| 5/8 | 10 | .77 | .39 | .77 | .19 |
| 3/4 | 12 | .91 | .39 | .91 | .19 |

Lubricant Compatibility Chart

| LUBRICANT | HOSE STYLE GH134 |
|--------------|------------------|
| Mineral Oil | Y |
| PAG | Y |
| Ester Oil | Y |
| Alkylbenzene | * |

Y = Compatible N = Non-compatible
*Review application with Engineering Support.

Refrigerant Compatibility Chart of Refrigerant Hoses

| REFRIGERANT | HOSE STYLE GH134 |
|-------------|------------------|
| R-12 | Y |
| R-22 | Y |
| R-134a | Y |
| R-502 | Y |
| MP39 | Y |
| MP66 | Y |
| R404a | Y |

Tubing Identification

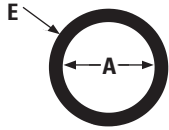
| SIZE | TUBING STYLE | WALL THICKNESS |
|-------|--------------|----------------|
| -6 | SAE J526 | 0.035 |
| -0608 | SAE J526 | 0.035 |
| -8 | SAE J526 | 0.035 |
| -0810 | SAE J526 | 0.035 |
| -10 | SAE J525 | 0.049 |
| -1012 | SAE J525 | 0.049 |
| -12 | SAE J525 | 0.049 |

E-Z Clip System

End Connections & O-Rings

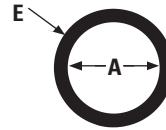
O-rings for Bump Tube O-Ring Seal and O-Ring Pilot Fittings

(O-rings for o-ring pilot end must be purchased separately)



ZW747

Material: HNBR
Durometer: 70
Temperature Range:
 -40°F to +250°F

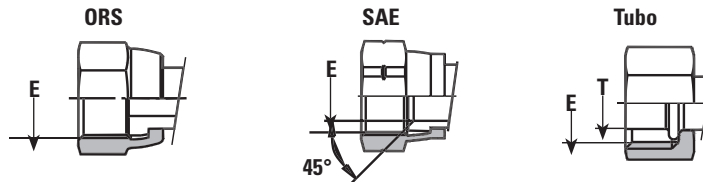


FF90178

Material: HNBR
Durometer: 70
Temperature Range:
 -25°F to +300°F

| O-RING CATALOG NUMBER | O-RING PILOT DASH SIZE | A | E |
|-----------------------|------------------------|------|-----|
| ZW74706 | -06 | .301 | .07 |
| ZW74708 | -08 | .426 | .07 |
| ZW74710 | -10 | .551 | .07 |
| ZW74712 | -12 | .676 | .07 |

| O-RING PART NUMBER | O-RING PILOT DASH SIZE | A | E |
|--------------------|------------------------|------|-------|
| FF90178-11 | -06 | .301 | .0625 |
| FF90178-13 | -08 | .426 | .0625 |
| FF90178-15 | -10 | .551 | .0625 |
| FF90178-17 | -12 | .676 | .0625 |

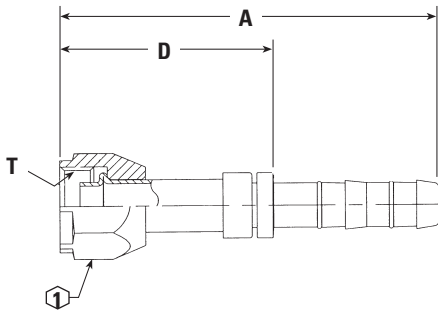


| SIZE | ORS THREAD | ØE | SAE THREAD | ØE | TUBO THREAD | ØE | ØT |
|------|------------|------|------------|------|-------------|------|------|
| -4 | 9/16-18 | 12,9 | 7/16-20 | — | — | — | — |
| -6 | 11/16-16 | 15,9 | 5/8-18 | 14,5 | 5/8-18 | 14,5 | 8,4 |
| -8 | 13/16-16 | 19,1 | 3/4-16 | 17,5 | 3/4-16 | 17,5 | 11,6 |
| -10 | 1-14 | 23,6 | 7/8-14 | 20,5 | 7/8-14 | 20,5 | 14,4 |
| -12 | 1-3/16-12 | 28,1 | 1-1/16-14 | 25,2 | 1-1/16-14 | 25,2 | 17,5 |
| -16 | 1-7/16-12 | 34,5 | — | — | — | — | — |
| -20 | 1-11/16-12 | 40,7 | — | — | — | — | — |
| -24 | — | — | — | — | — | — | — |

E-Z Clip System™

Fittings

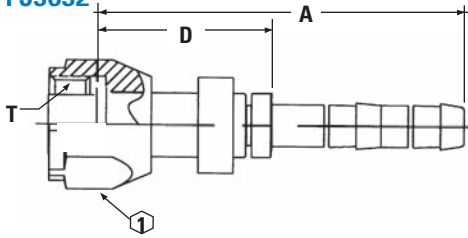
FJ5984



Straight – Female O-ring (short pilot)

| PART NUMBER | TH'D "T" | HOSE SIZE | A REF | D REF | F REF | H REF | Ⓛ REF |
|--------------|-----------|-----------|-------|-------|-------|-------|-------|
| FJ5984-0606S | 5/8-18 | 6 | 3.14 | 1.62 | — | — | 0.75 |
| FJ5984-0608S | 5/8-18 | 8 | 3.16 | 1.62 | — | — | 0.75 |
| FJ5984-0808S | 3/4-16 | 8 | 3.56 | 2.02 | — | — | 0.88 |
| FJ5984-0810S | 3/4-16 | 10 | 3.57 | 2.02 | — | — | 0.88 |
| FJ5984-1008S | 7/8-14 | 8 | 3.62 | 2.08 | — | — | 0.88 |
| FJ5984-1010S | 7/8-14 | 10 | 3.63 | 2.08 | — | — | 1.06 |
| FJ5984-1012S | 7/8-14 | 12 | 3.66 | 2.08 | — | — | 1.06 |
| FJ5984-1210S | 1-1/16-14 | 10 | 4.25 | 2.62 | — | — | 1.25 |
| FJ5984-1212S | 1-1/16-14 | 12 | 4.25 | 2.67 | — | — | 1.25 |

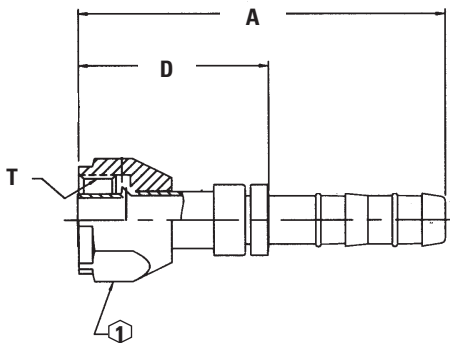
FJ3632



Straight - Female O-ring (long pilot)

| PART NUMBER | TH'D "T" | HOSE SIZE | A REF | D REF | F REF | H REF | Ⓛ REF |
|--------------|----------|-----------|-------|-------|-------|-------|-------|
| FJ3632-0806S | 3/4-16 | 6 | 2.91 | 1.36 | — | — | 0.875 |

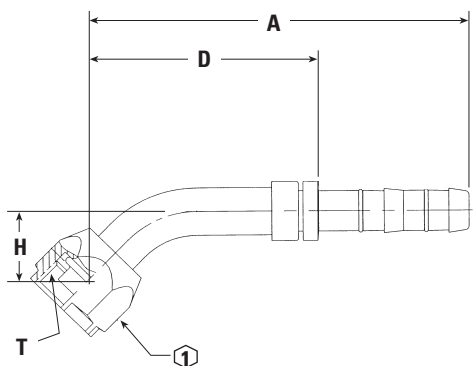
FJ3408



Straight – Female O-ring, Metric Thread (long pilot)

| PART NUMBER | TH'D "T" | HOSE SIZE | A REF | D REF | F REF | H REF | Ⓛ REF |
|--------------|-----------|-----------|-------|-------|-------|-------|-------|
| FJ3408-0808S | M20 x 1.5 | 8 | 3.20 | 1.66 | — | — | 0.94 |
| FJ3408-0810S | M20 x 1.5 | 10 | 3.21 | 1.66 | — | — | 0.94 |
| FJ3408-1212S | M27 x 2 | 12 | 4.25 | 2.67 | — | — | 1.25 |

FJ3055



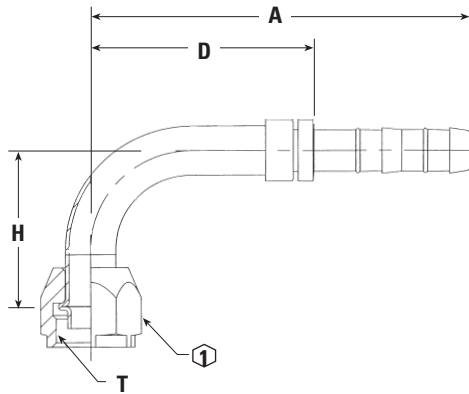
45° Elbow Female O-ring (short pilot)

| PART NUMBER | TH'D "T" | HOSE SIZE | A REF | D REF | F REF | H REF | Ⓛ REF |
|-----------------|-----------|-----------|-------|-------|-------|-------|-------|
| FJ3055-01-0606S | 5/8-18 | 6 | 3.60 | 2.08 | — | 0.67 | 0.75 |
| FJ3055-02-0608S | 5/8-18 | 8 | 3.62 | 2.08 | — | 0.67 | 0.75 |
| FJ3055-03-0808S | 3/4-16 | 8 | 3.94 | 2.40 | — | 0.73 | 0.88 |
| FJ3055-04-0810S | 3/4-16 | 10 | 3.95 | 2.40 | — | 0.73 | 0.88 |
| FJ3055-05-1010S | 7/8-14 | 10 | 4.37 | 2.81 | — | 1.19 | 1.06 |
| FJ3055-06-1012S | 7/8-14 | 12 | 4.46 | 2.88 | — | 1.25 | 1.06 |
| FJ3055-07-1212S | 1-1/16-14 | 12 | 5.33 | 3.75 | — | 1.47 | 1.25 |

E-Z Clip System™

Fittings

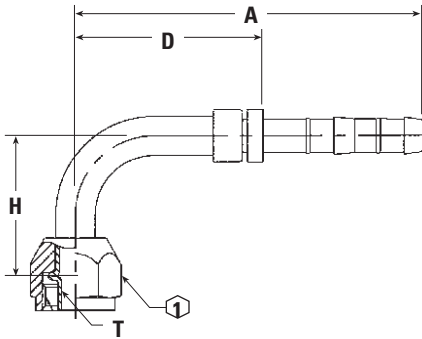
FJ5985



90° Elbow – Female O-ring (short pilot)

| PART NUMBER | TH'D "T" | HOSE SIZE | A REF | D REF | F REF | H REF | ① REF |
|--------------|-----------|-----------|-------|-------|-------|-------|-------|
| FJ5985-0606S | 5/8-18 | 6 | 3.32 | 1.79 | — | 1.38 | 0.75 |
| FJ5985-0608S | 5/8-18 | 8 | 3.33 | 1.79 | — | 1.38 | 0.75 |
| FJ5985-0806S | 3/4-16 | 6 | 3.86 | 2.33 | — | 1.62 | 0.88 |
| FJ5985-0808S | 3/4-16 | 8 | 3.77 | 2.23 | — | 1.62 | 0.88 |
| FJ5985-0810S | 3/4-16 | 10 | 3.78 | 2.23 | — | 1.62 | 0.88 |
| FJ5985-1010S | 7/8-14 | 10 | 4.22 | 2.67 | — | 1.89 | 1.06 |
| FJ5985-1012S | 7/8-14 | 12 | 4.24 | 2.67 | — | 1.89 | 1.06 |
| FJ5985-1210S | 1-1/16-14 | 10 | 4.76 | 3.31 | — | 2.56 | 1.25 |
| FJ5985-1212S | 1-1/16-14 | 12 | 4.74 | 3.16 | — | 2.56 | 1.25 |

FJ3288

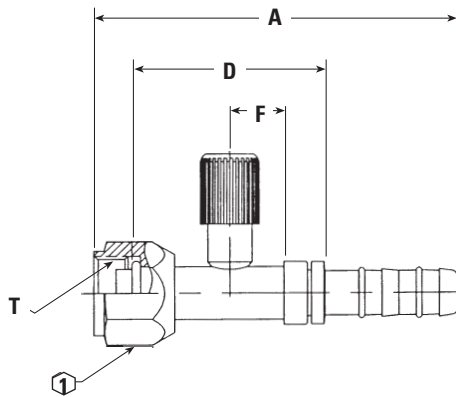


90° Female O-ring (long pilot)

| PART NUMBER | TH'D "T" | HOSE SIZE | A REF | D REF | F REF | H REF | ① REF |
|------------------|----------|-----------|-------|-------|-------|-------|-------|
| FJ3288-01-0606S | 5/8-18 | 6 | 3.32 | 1.79 | — | 1.38 | 0.75 |
| FJ3288-02-0808S | 3/4-16 | 8 | 3.77 | 2.23 | — | 1.62 | 0.88 |
| FJ3288-03-0806S | 3/4-16 | 6 | 3.75 | 2.33 | — | 1.62 | 0.88 |
| FJ3288-04-0810S* | 3/4-16 | 10 | 3.78 | 2.23 | — | 1.62 | 0.88 |

*May not be available.

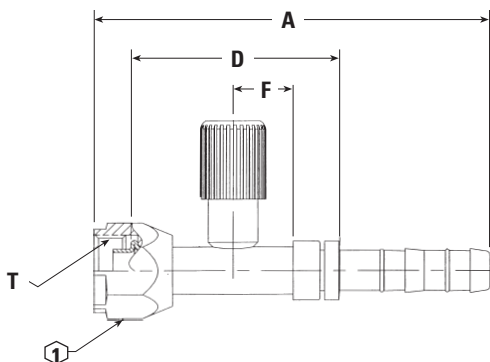
FJ3054



Straight – Female O-ring (short pilot) with R134a Low Side Port

| PART NUMBER | TH'D "T" | HOSE SIZE | A REF | D REF | F REF | H REF | ① REF |
|--------------|-----------|-----------|-------|-------|-------|-------|-------|
| FJ3054-1010S | 7/8-14 | 10 | 4.24 | 2.25 | 0.63 | — | 1.06 |
| FJ3054-1012S | 7/8-14 | 12 | 4.27 | 2.25 | 0.63 | — | 1.06 |
| FJ3054-1212S | 1-1/16-14 | 12 | 4.58 | 2.43 | 0.54 | — | 1.25 |

FJ3053



Straight – Female O-ring (short pilot) with R134a High Side Port

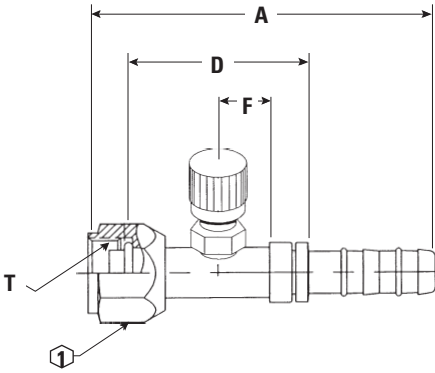
| PART NUMBER | TH'D "T" | HOSE SIZE | A REF | D REF | F REF | H REF | ① REF |
|---------------|----------|-----------|-------|-------|-------|-------|-------|
| FJ3053-0606S | 5/8-18 | 6 | 3.91 | 2.10 | 0.63 | — | 0.75 |
| FJ3053-0806S* | 3/4-16 | 6 | 4.06 | 2.26 | 0.63 | — | 0.88 |
| FJ3053-0808S | 3/4-16 | 8 | 4.09 | 2.16 | 0.63 | — | 0.88 |
| FJ3053-0810S | 3/4-16 | 10 | 4.09 | 2.16 | 0.63 | — | 0.88 |

*May not be available.

E-Z Clip System™

Fittings

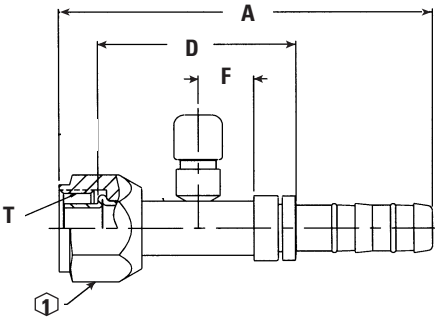
FJ3162



Straight – Female O-ring (long pilot) with Switch Port (7/16-20 thd)

| PART NUMBER | TH'D "T" | HOSE SIZE | A REF | D REF | F REF | H REF | ① REF |
|--------------|-----------|-----------|-------|-------|-------|-------|-------|
| FJ3162-0808S | 3/4-16 | 8 | 4.09 | 2.16 | 0.79 | — | 0.88 |
| FJ3162-1010S | 7/8-14 | 10 | 4.25 | 2.25 | 0.79 | — | 1.06 |
| FJ3162-1012S | 7/8-14 | 12 | 4.27 | 2.25 | 0.79 | — | 1.06 |
| FJ3162-1212S | 1-1/16-14 | 12 | 4.86 | 2.71 | 0.79 | — | 1.25 |

FJ3416

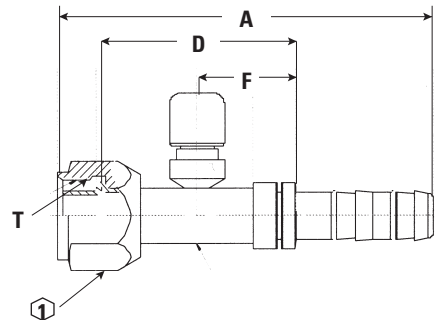


Straight – Female O-ring (long pilot) with Switch Port (M10 X 1.25)

| PART NUMBER | TH'D "T" | HOSE SIZE | A REF | D REF | F REF | H REF | ① REF |
|------------------|----------|-----------|-------|-------|-------|-------|-------|
| FJ3416-01-1010S | 7/8-14 | 10 | 4.25 | 2.25 | .63 | — | 1.06 |
| FJ3416-02-0808S* | 3/4-16 | 8 | 4.86 | 2.53 | .79 | — | 1.06 |

*May not be available

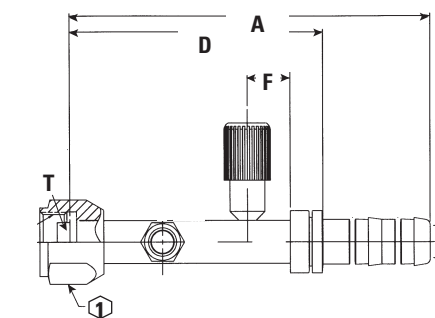
FJ3461



Straight – Female O-ring (long pilot) with Switch Port (M12 X 1.25)

| PART NUMBER | TH'D "T" | HOSE SIZE | A REF | D REF | F REF | H REF | ① REF |
|-----------------|-----------|-----------|-------|-------|-------|-------|-------|
| FJ3461-01-1010S | 7/8-14 | 10 | 4.25 | 2.25 | .63 | — | 1.06 |
| FJ3461-02-1012S | 7/8-14 | 12 | 4.27 | 2.25 | .63 | — | 1.06 |
| FJ3461-03-1212S | 1-1/16-14 | 12 | 4.86 | 2.71 | .54 | — | 1.25 |

FJ3363



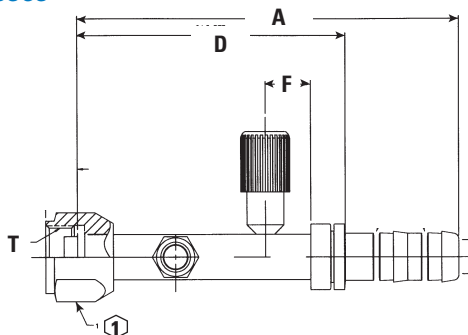
Straight – Female O-ring (short pilot), with R134a High side port and female switch connection, (1/8-27 thread)

| PART NUMBER | TH'D "T" | HOSE SIZE | A REF | D REF | F REF | H REF | ① REF |
|-----------------|----------|-----------|-------|-------|-------|-------|-------|
| FJ3363-03-0808S | 3/4-16 | 8 | 5.16 | 3.62 | .63 | — | .88 |
| FJ3363-02-0810S | 3/4-16 | 10 | 5.54 | 3.62 | .63 | — | .88 |

E-Z Clip System™

Fittings

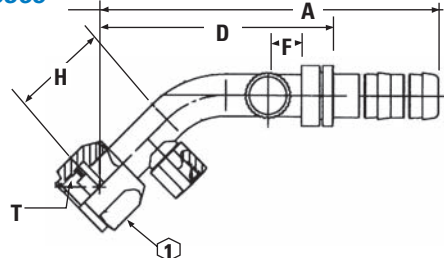
FJ3363



Straight – Female O-ring (short pilot), with R134a Low side port and female switch connection, (1/8-27 thread)

| PART NUMBER | TH'D "T" | HOSE SIZE | A REF | D REF | F REF | H REF | ① REF |
|-----------------|----------|-----------|-------|-------|-------|-------|-------|
| FJ3363-01-1012S | 7/8-14 | 12 | 5.30 | 3.72 | .63 | — | 1.06 |

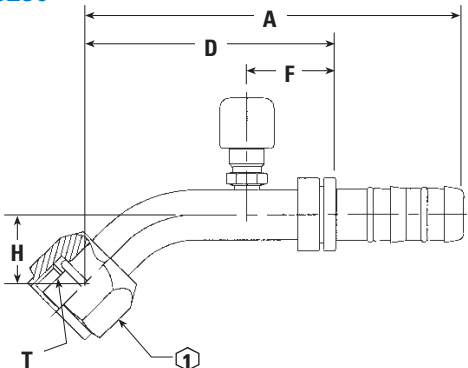
FJ3365



45° - Female O-ring (Short Pilot) with R134a Low Side Port

| PART NUMBER | TH'D "T" | HOSE SIZE | A REF | D REF | F REF | H REF | ① REF |
|-----------------|----------|-----------|-------|-------|-------|-------|-------|
| FJ3365-01-1012S | 7/8-14 | 12 | 5.09 | 3.51 | .50 | 1.43 | 1.125 |

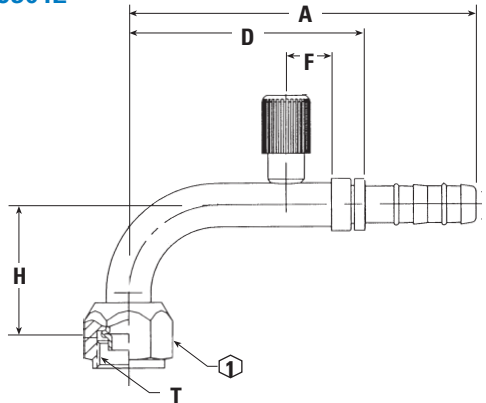
FJ3230



45° Female O-ring (long pilot) with Switch Port (7/16-20 thd)

| PART NUMBER | TH'D "T" | HOSE SIZE | A REF | D REF | F REF | H REF | ① REF |
|-----------------|----------|-----------|-------|-------|-------|-------|-------|
| FJ3230-01-0810S | 3/4-16 | 10 | 4.61 | 2.58 | 0.63 | 0.80 | 0.88 |
| FJ3230-02-1012S | 7/8-14 | 12 | 4.73 | 2.67 | 0.63 | 0.89 | 1.06 |
| FJ3230-03-0808S | 3/4-16 | 8 | 4.43 | 2.40 | 0.63 | 0.73 | 0.88 |
| FJ3230-04-1010S | 7/8-14 | 10 | 5.00 | 2.97 | 0.63 | 1.19 | 1.06 |

FJ3012



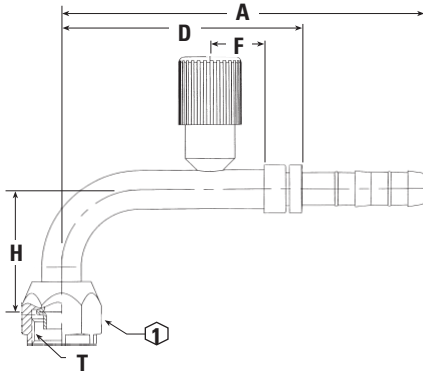
90° Female O-ring (short pilot) with R134a Low Side Port

| PART NUMBER | TH'D "T" | HOSE SIZE | A REF | D REF | F REF | H REF | ① REF |
|-----------------|-----------|-----------|-------|-------|-------|-------|-------|
| FJ3012-02-1010S | 7/8-14 | 10 | 4.88 | 3.33 | 0.63 | 1.89 | 1.06 |
| FJ3012-01-1012S | 7/8-14 | 12 | 4.83 | 3.25 | 0.63 | 1.89 | 1.06 |
| FJ3012-03-1212S | 1-1/16-14 | 12 | 5.10 | 3.52 | 0.63 | 2.56 | 1.25 |

E-Z Clip System™

Fittings

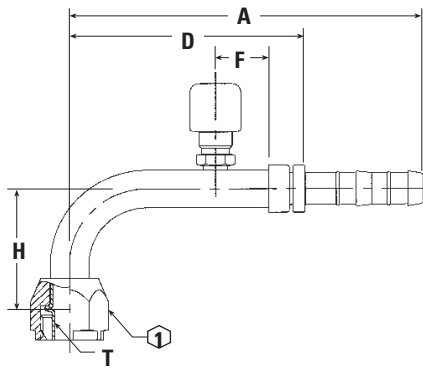
FJ3013



90° Female O-ring (short pilot) with R134a High Side Port

| PART NUMBER | TH'D "T" | HOSE SIZE | A REF | D REF | F REF | H REF | ① REF |
|-----------------|----------|-----------|-------|-------|-------|-------|-------|
| FJ3013-02-0606S | 5/8-18 | 6 | 4.35 | 2.82 | 0.63 | 1.38 | 0.75 |
| FJ3013-03-0808S | 3/4-16 | 8 | 4.61 | 3.07 | 0.69 | 1.62 | 0.88 |
| FJ3013-01-0810S | 3/4-16 | 10 | 4.53 | 2.98 | 0.69 | 1.62 | 0.88 |

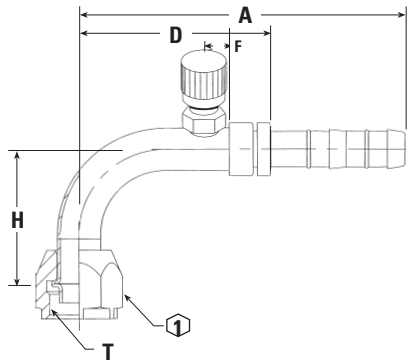
FJ3289



90° Female O-ring (long pilot) with Switch Port (7/16-20 thd)

| PART NUMBER | TH'D "T" | HOSE SIZE | A REF | D REF | F REF | H REF | ① REF |
|-----------------|----------|-----------|-------|-------|-------|-------|-------|
| FJ3289-01-0808S | 3/4-16 | 8 | 4.61 | 2.59 | 0.69 | 1.62 | 0.88 |
| FJ3289-02-1010S | 7/8-14 | 10 | 4.80 | 2.77 | 0.63 | 1.93 | 1.06 |
| FJ3289-03-0606S | 5/8-18 | 6 | 4.35 | 2.82 | 0.69 | 1.35 | 0.75 |
| FJ3289-04-0810S | 3/4-16 | 10 | 4.62 | 2.59 | 0.69 | 1.62 | 0.88 |
| FJ3289-05-1012S | 7/8-14 | 12 | 4.82 | 2.77 | .63 | 1.93 | 1.06 |

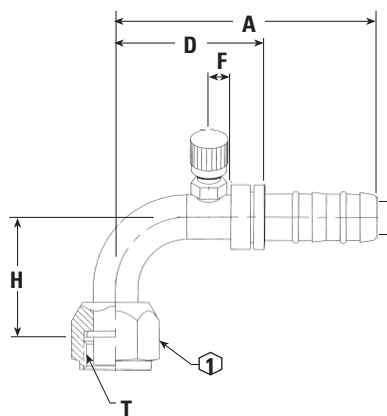
FJ3163



90° Elbow – Female O-ring (short pilot) with Switch Port (7/16-20 thd)

| PART NUMBER | TH'D "T" | HOSE SIZE | A REF | D REF | F REF | H REF | ① REF |
|-----------------|-----------|-----------|-------|-------|-------|-------|-------|
| FJ3163-01-1010S | 7/8-14 | 10 | 4.80 | 3.25 | 0.79 | 1.89 | 1.06 |
| FJ3163-02-1212S | 1-1/16-14 | 12 | 5.08 | 3.50 | 0.79 | 2.56 | 1.25 |

FJ3047



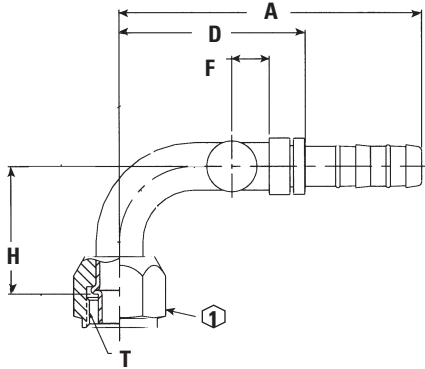
90° Female O-ring (long pilot) with Charge Port (7/16-20Thd) – 45° Port Rotation

| PART NUMBER | TH'D "T" | HOSE SIZE | A REF | D REF | F REF | H REF | ① REF |
|--------------|----------|-----------|-------|-------|-------|-------|-------|
| FJ3047-1012S | 7/8-14 | 12 | 4.06 | 2.48 | 0.50 | 1.69 | 1.06 |

E-Z Clip System™

Fittings

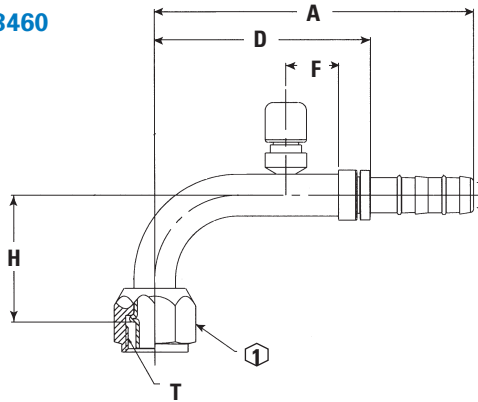
FJ3444



90° Female O-ring (long pilot) with Switch Port (7/16-20Thd) – 90° Port Rotation

| PART NUMBER | TH'D "T" | HOSE SIZE | A REF | D REF | F REF | H REF | ① REF |
|--------------|----------|-----------|-------|-------|-------|-------|-------|
| FJ3444-1010S | 7/8-14 | 10 | 4.03 | 2.48 | .50 | 1.69 | 1.06 |

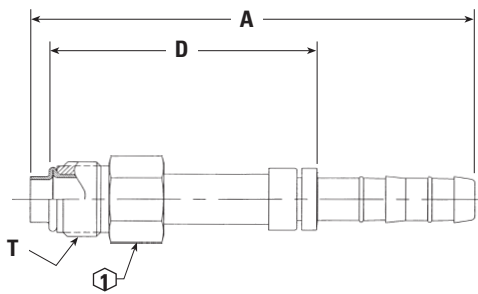
FJ3460



90° Female O-ring (long pilot) with Switchport (M12 X 1.25)

| PART NUMBER | TH'D "T" | HOSE SIZE | A REF | D REF | F REF | H REF | ① REF |
|-----------------|-----------|-----------|-------|-------|-------|-------|-------|
| FJ3460-01-1010S | 7/8-14 | 10 | 4.80 | 3.25 | 0.79 | 1.89 | 1.06 |
| FJ3460-01-1012S | 7/8-14 | 12 | 4.83 | 3.25 | 0.79 | 1.89 | 1.06 |
| FJ3460-03-1212S | 1-1/16-14 | 12 | 5.08 | 3.50 | .54 | 2.56 | 1.25 |

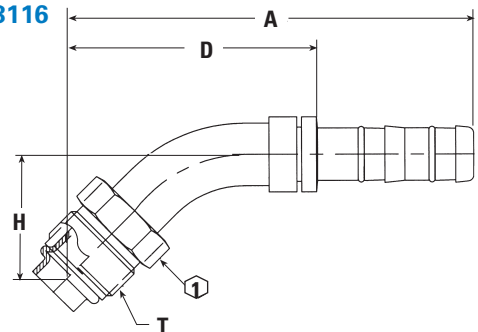
FJ3052



Straight Male O-ring (short pilot)

| PART NUMBER | TH'D "T" | HOSE SIZE | A REF | D REF | F REF | H REF | ① REF |
|--------------|-----------|-----------|-------|-------|-------|-------|-------|
| FJ3052-0606S | 5/8-18 | 6 | 3.41 | 1.70 | — | — | 0.62 |
| FJ3052-0608S | 5/8-18 | 8 | 3.43 | 1.70 | — | — | 0.62 |
| FJ3052-0808S | 3/4-18 | 8 | 4.37 | 2.64 | — | — | 0.75 |
| FJ3052-1010S | 7/8-18 | 10 | 3.66 | 1.92 | — | — | 0.88 |
| FJ3052-1012S | 7/8-18 | 12 | 3.68 | 1.92 | — | — | 0.88 |
| FJ3052-1212S | 1-1/16-16 | 12 | 3.68 | 1.92 | — | — | 1.06 |

FJ3116



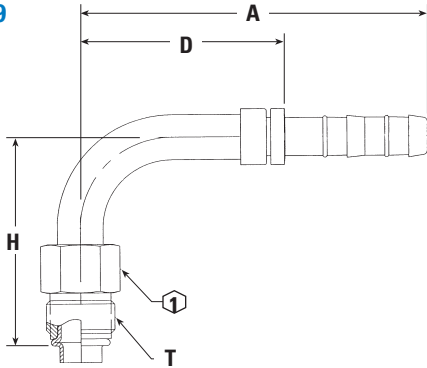
45° Male O-ring (short pilot)

| PART NUMBER | TH'D "T" | HOSE SIZE | A REF | D REF | F REF | H REF | ① REF |
|-----------------|----------|-----------|-------|-------|-------|-------|-------|
| FJ3116-01-0606S | 5/8-18 | 6 | 3.99 | 2.47 | — | 0.94 | 0.62 |
| FJ3116-03-0808S | 3/4-18 | 8 | 4.59 | 2.83 | — | 1.20 | 0.75 |
| FJ3116-02-1010S | 7/8-18 | 10 | 4.65 | 3.10 | — | 1.46 | 0.88 |
| FJ3116-04-0608S | 5/8-18 | 8 | 4.01 | 2.47 | — | 0.94 | 0.62 |

E-Z Clip System™

Fittings

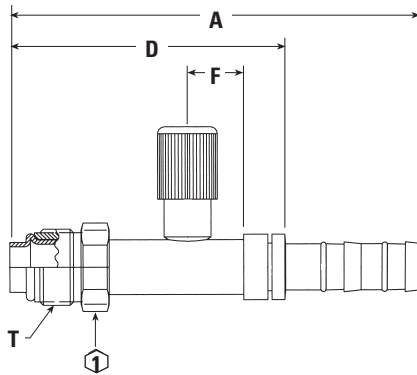
FJ3019



90° Male O-ring (short pilot)

| PART NUMBER | TH'D "T" | HOSE SIZE | A REF | D REF | F REF | H REF | ① REF |
|-----------------|-----------|-----------|-------|-------|-------|-------|-------|
| FJ3019-03-0606S | 5/8-18 | 6 | 3.33 | 1.80 | — | 1.77 | 0.62 |
| FJ3019-02-0608S | 5/8-18 | 8 | 3.34 | 1.80 | — | 1.77 | 0.62 |
| FJ3019-04-0808S | 3/4-18 | 8 | 3.77 | 2.23 | — | 2.31 | 0.75 |
| FJ3019-06-0810S | 3/4-18 | 10 | 3.78 | 2.23 | — | 2.31 | 0.75 |
| FJ3019-01-1012S | 7/8-18 | 12 | 4.24 | 2.67 | — | 2.45 | 0.88 |
| FJ3019-05-1212S | 1-1/16-16 | 12 | 4.22 | 2.64 | — | 2.79 | 1.06 |
| FJ3019-07-1010S | 7/8-18 | 10 | 4.22 | 2.67 | — | 2.453 | 0.88 |

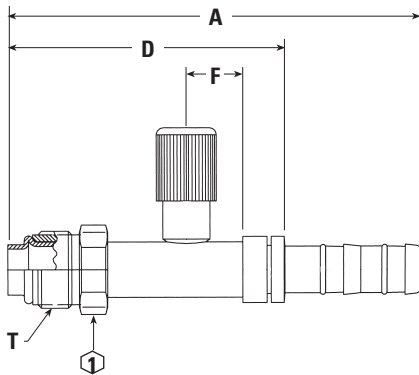
FJ3132



Straight Male O-ring (short pilot) with R134a Low Side Port

| PART NUMBER | TH'D "T" | HOSE SIZE | A REF | D REF | F REF | H REF | ① REF |
|-----------------|----------|-----------|-------|-------|-------|-------|-------|
| FJ3132-01-1010S | 7/8-18 | 10 | 4.43 | 2.70 | 0.63 | — | 0.88 |
| FJ3132-02-1012S | 7/8-18 | 12 | 4.46 | 2.70 | 0.63 | — | 0.88 |

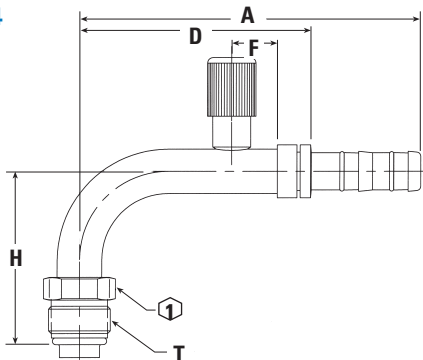
FJ3131



Straight Male O-ring (short pilot) with R134a High Side Port

| PART NUMBER | TH'D "T" | HOSE SIZE | A REF | D REF | F REF | H REF | ① REF |
|-----------------|----------|-----------|-------|-------|-------|-------|-------|
| FJ3131-01-0606S | 5/8-18 | 6 | 4.18 | 2.47 | 0.63 | — | 0.62 |
| FJ3131-02-0808S | 3/4-18 | 8 | 4.58 | 2.85 | 0.63 | — | 0.75 |
| FJ3131-03-1010S | 7/8-18 | 10 | 4.34 | 2.61 | 0.63 | — | 0.88 |

FJ3134



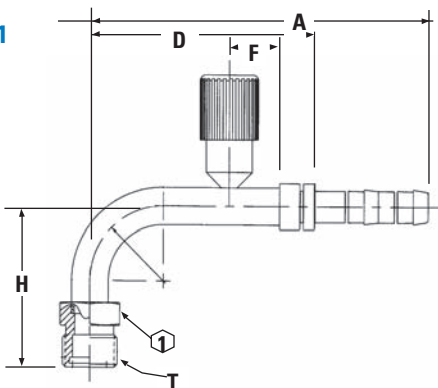
90° Elbow Male O-ring (short pilot) with R134a High Side Port

| PART NUMBER | TH'D "T" | HOSE SIZE | A REF | D REF | F REF | H REF | ① REF |
|-----------------|----------|-----------|-------|-------|-------|-------|-------|
| FJ3134-01-0606S | 5/8-18 | 6 | 4.34 | 2.82 | 0.63 | 1.75 | 0.62 |
| FJ3134-02-0808S | 3/4-18 | 8 | 4.61 | 3.07 | 0.63 | 2.31 | 0.75 |
| FJ3134-03-1010S | 7/8-18 | 10 | 4.81 | 3.25 | 0.63 | 2.34 | 0.88 |

E-Z Clip System™

Fittings

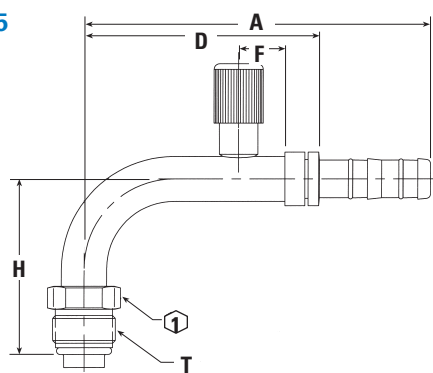
FJ3611



90° Male MIO with R134a High Side Port

| PART NUMBER | TH'D "T" | HOSE SIZE | A REF | D REF | F REF | H REF | ① REF |
|-----------------|----------|-----------|-------|-------|-------|-------|-------|
| FJ3611-01-0808S | 3/4-16 | 8 | 4.61 | 3.07 | .69 | 2.17 | 0.813 |

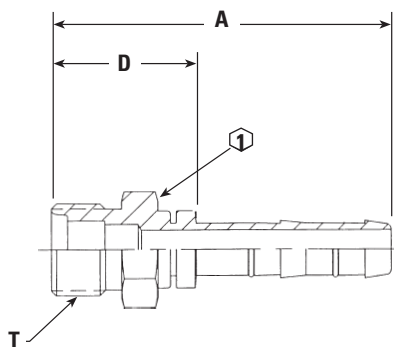
FJ3135



90° Elbow Male O-ring (short pilot) with R134a Low Side Port

| PART NUMBER | TH'D "T" | HOSE SIZE | A REF | D REF | F REF | H REF | ① REF |
|-----------------|----------|-----------|-------|-------|-------|-------|-------|
| FJ3135-01-1010S | 7/8-18 | 10 | 4.81 | 3.25 | 0.63 | 2.34 | 0.88 |
| FJ3135-02-1012S | 7/8-18 | 12 | 4.81 | 3.25 | 0.63 | 2.34 | 0.88 |

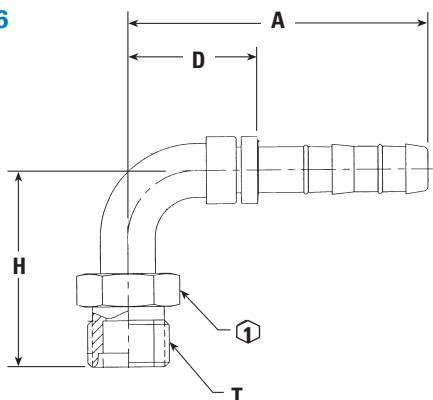
FJ3026



Male MIO (male insert O-ring) Straights

| PART NUMBER | TH'D "T" | HOSE SIZE | A REF | D REF | F REF | H REF | ① REF |
|--------------|-----------|-----------|-------|-------|-------|-------|-------|
| FJ3026-0606S | 5/8-18 | 6 | 3.36 | 1.83 | — | — | 0.690 |
| FJ3026-0808S | 3/4-16 | 8 | 2.69 | 1.15 | — | — | 0.810 |
| FJ3026-1010S | 7/8-14 | 10 | 2.90 | 1.35 | — | — | 0.940 |
| FJ3026-1012S | 7/8-14 | 12 | 4.11 | 2.50 | — | — | 0.940 |
| FJ3026-1212S | 1-1/16-14 | 12 | 4.29 | 2.71 | — | — | 1.125 |

FJ3056



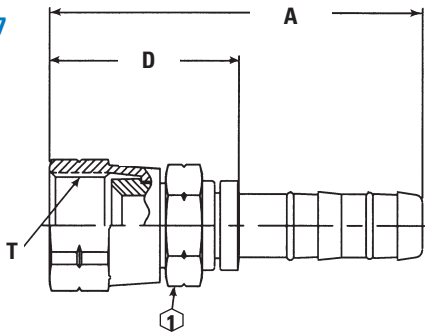
90° Male MIO – (male insert O-ring)

| PART NUMBER | TH'D "T" | HOSE SIZE | A REF | D REF | F REF | H REF | ① REF |
|-----------------|----------|-----------|-------|-------|-------|-------|-------|
| FJ3056-01-0606S | 5/8-18 | 6 | 2.50 | 0.98 | — | 1.44 | 0.69 |
| FJ3056-02-0808S | 3/4-16 | 8 | 2.74 | 1.20 | — | 1.82 | 0.81 |
| FJ3056-03-1010S | 7/8-14 | 10 | 3.09 | 1.54 | — | 2.13 | 0.94 |
| FJ3056-04-0810S | 3/4-16 | 10 | 2.75 | 1.20 | — | 1.82 | 0.81 |

E-Z Clip System™

Fittings

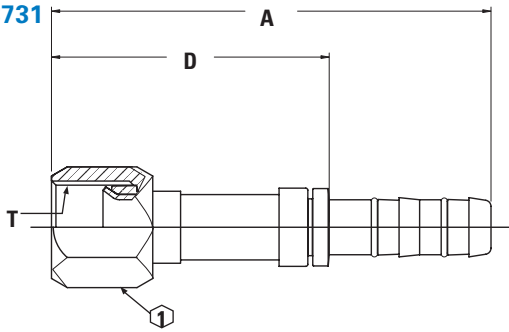
FJ3057



Female SAE 45° Flares

| PART NUMBER | TH'D "T" | HOSE SIZE | A REF | D REF | F REF | H REF | ① REF |
|-----------------|-----------|-----------|-------|-------|-------|-------|-------|
| FJ3057-01-0606S | 5/8-18 | 6 | 2.88 | 1.35 | — | — | 0.56 |
| FJ3057-02-0608S | 5/8-18 | 8 | 3.14 | 1.62 | — | — | 0.75 |
| FJ3057-03-0808S | 3/4-16 | 8 | 2.96 | 1.42 | — | — | 0.69 |
| FJ3057-04-0810S | 3/4-16 | 10 | 3.56 | 2.02 | — | — | 0.88 |
| FJ3057-05-1010S | 7/8-14 | 10 | 3.63 | 2.08 | — | — | 1.00 |
| FJ3057-06-1012S | 7/8-14 | 12 | 3.66 | 2.08 | — | — | 1.00 |
| FJ3057-07-1212S | 1-1/16-14 | 12 | 3.20 | 1.62 | — | — | 1.25 |

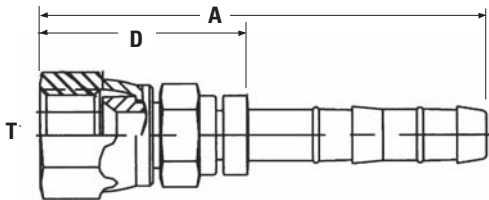
FJ3731



Straight - Female 37° Flare

| PART NUMBER | TH'D "T" | HOSE SIZE | A REF | D REF | F REF | H REF | ① REF |
|--------------|----------|-----------|-------|-------|-------|-------|-------|
| FJ3731-1010S | 7/8-14 | 10 | 4.21 | 2.66 | — | — | 1 |

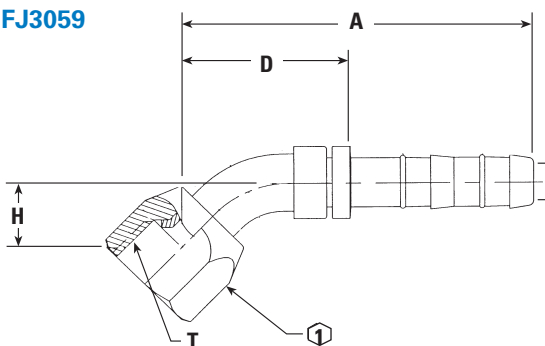
FJ3508



Straight - Female 37° Flare - Braze Design - Special Order Only

| PART NUMBER | TH'D "T" | HOSE SIZE | A REF | D REF | F REF | H REF | ① REF |
|--------------|-----------|-----------|-------|-------|-------|-------|-------|
| FJ3508-0606S | 9/16-18 | 6 | 2.85 | 1.32 | — | — | 0.563 |
| FJ3508-0808S | 3/4-16 | 8 | 2.96 | 1.42 | — | — | 0.688 |
| FJ3508-1010S | 7/8-14 | 10 | 3.15 | 1.59 | — | — | 0.875 |
| FJ3508-1212S | 1 1/16-12 | 12 | 3.2 | 1.62 | — | — | 1.25 |

FJ3059



45° Female SAE 45° and Universal Flares

| PART NUMBER | TH'D "T" | HOSE SIZE | A REF | D REF | F REF | H REF | ① REF |
|------------------|----------|-----------|-------|-------|-------|-------|-------|
| FJ3059-01-0606S† | 5/8-18 | 6 | 2.61 | 1.08 | — | 0.39 | 0.75 |
| FJ3059-02-0608S† | 5/8-18 | 8 | 2.62 | 1.08 | — | 0.39 | 0.75 |
| FJ3059-03-0808S* | 3/4-16 | 8 | 2.97 | 1.43 | — | 0.55 | 0.88 |
| FJ3059-04-0810S* | 3/4-16 | 10 | 2.98 | 1.43 | — | 0.55 | 0.88 |
| FJ3059-05-1010S* | 7/8-14 | 10 | 3.08 | 1.53 | — | 0.63 | 1.00 |
| FJ3059-06-1012S* | 7/8-14 | 12 | 3.11 | 1.53 | — | 0.63 | 1.00 |

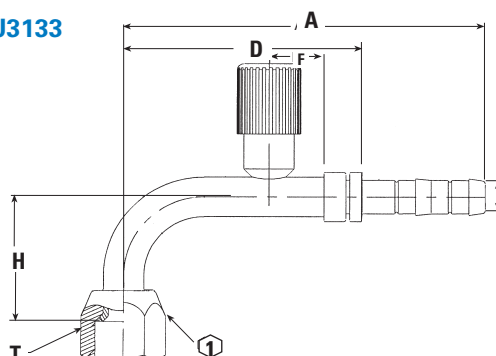
†Double notch in nut for universal type identification

*Universal Flare

E-Z Clip System™

Fittings

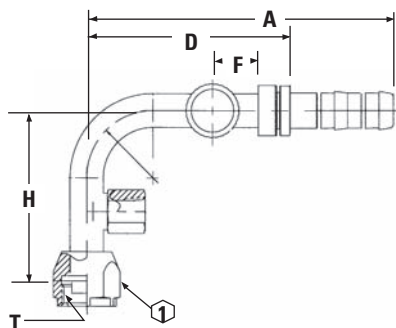
FJ3133



90° Female SAE 45° With High Side Charge Port (R134a)

| PART NUMBER | TH'D "T" | HOSE SIZE | A REF | D REF | F REF | H REF | ① REF |
|-----------------|----------|-----------|-------|-------|-------|-------|-------|
| FJ3133-01-0606S | 5/8-18 | 6 | 4.35 | 2.82 | 0.63 | 1.28 | 0.75 |
| FJ3133-02-0808S | 3/4-16 | 8 | 4.61 | 3.07 | 0.63 | 1.53 | 0.88 |
| FJ3133-03-1010S | 7/8-14 | 10 | 4.80 | 3.25 | 0.63 | 1.84 | 0.88 |

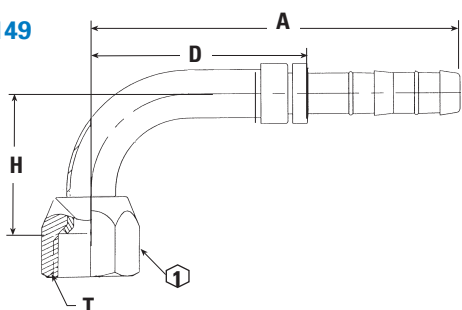
FJ3366



SAE 90° with R134a C/Port and Switch Port

| PART NUMBER | TH'D "T" | HOSE SIZE | A REF | D REF | F REF | H REF | ① REF |
|-----------------|----------|-----------|-------|-------|-------|-------|-------|
| FJ3366-01-0810S | 3/4-16 | 10 | 4.62 | 3.07 | .69 | 2.53 | 0.875 |
| FJ3366-02-0808S | 3/4-16 | 8 | 4.61 | 3.07 | .69 | 2.53 | 0.875 |

FJ3149



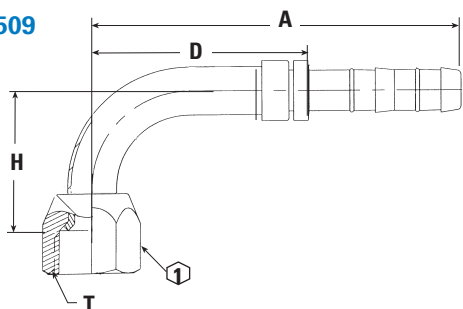
90° Female SAE 45° and Universal Flares

| PART NUMBER | TH'D "T" | HOSE SIZE | A REF | D REF | F REF | H REF | ① REF |
|------------------|-----------|-----------|-------|-------|-------|-------|-------|
| FJ3149-01-0606S† | 5/8-18 | 6 | 2.51 | 0.98 | — | 0.85 | 0.75 |
| FJ3149-02-0608S† | 5/8-18 | 8 | 2.52 | 0.98 | — | 0.85 | 0.75 |
| FJ3149-03-0808S* | 3/4-16 | 8 | 2.74 | 1.20 | — | 1.09 | 0.88 |
| FJ3149-04-1010S* | 7/8-14 | 10 | 3.09 | 1.54 | — | 1.19 | 1.00 |
| FJ3149-05-1012S* | 7/8-14 | 12 | 3.09 | 1.54 | — | 1.19 | 1.00 |
| FJ3149-06-1212S† | 1-1/16-14 | 12 | 3.68 | 2.11 | — | 1.80 | 1.25 |

†Double notch in nut for universal type identification

*Universal Flare

FJ3509



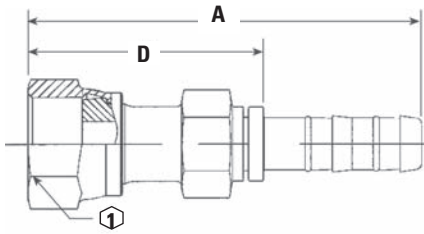
90° Female JIC

| PART NUMBER | TH'D "T" | HOSE SIZE | A REF | D REF | F REF | H REF | ① REF |
|--------------|-----------|-----------|-------|-------|-------|-------|-------|
| FJ3509-0606S | 9/16-18 | 6 | 2.50 | .98 | — | 2.18 | .69 |
| FJ3509-0608S | 9/16-18 | 8 | 2.52 | .98 | — | 2.18 | .69 |
| FJ3509-1212S | 1-1/16-12 | 12 | 3.36 | 1.78 | — | 3.73 | 1.25 |

E-Z Clip System™

Fittings

GA23911

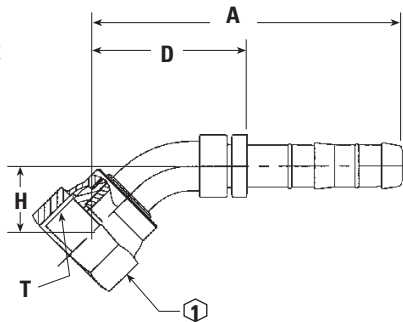


Straight – ORS Female Swivel Metric Hex Nut^Δ

| PART NUMBER | TH'D "T" | HOSE SIZE | A REF | D REF | F REF | H REF | Ⓛ REF |
|---------------|-----------|-----------|-------|-------|-------|-------|-------|
| GA23911-6-6 | 1-1/16-16 | 6 | 2.95 | 1.43 | — | — | 22mm |
| GA23911-8-8 | 1-3/16-16 | 8 | 3.17 | 1.62 | — | — | 24mm |
| GA23911-10-12 | 1-14 | 12 | 3.32 | 1.74 | — | — | 30mm |
| GA23911-10-10 | 1-14 | 10 | 3.33 | 1.78 | — | — | 30mm |
| GA23911-12-12 | 1-3/16-12 | 12 | 3.38 | 1.80 | — | — | 36mm |

ΔMetric Hex

FJ3161 GA23912

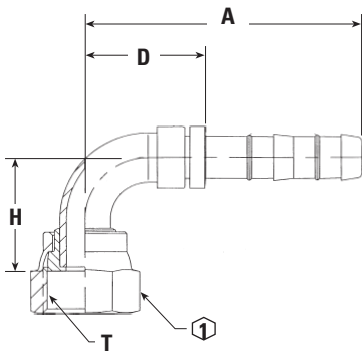


45° ORS Female Swivel

| PART NUMBER | TH'D "T" | HOSE SIZE | A REF | D REF | F REF | H REF | Ⓛ REF |
|-----------------|-----------|-----------|-------|-------|-------|-------|-------|
| FJ3161-01-0606S | 11/16-16 | 6 | 2.65 | 1.12 | — | 0.44 | 0.81 |
| GA23912-8-8* | 13/16-16 | 8 | 3.02 | 1.47 | — | 0.59 | 29mm |
| GA23912-10-10* | 1-14 | 10 | 3.22 | 1.67 | — | 0.70 | 30mm |
| GA23912-10-8* | 1-14 | 8 | 3.50 | 1.96 | — | 0.68 | 30mm |
| GA23912-12-12* | 1-3/16-12 | 12 | 4.23 | 2.65 | — | 0.83 | 36mm |

Δ*Metric Hex

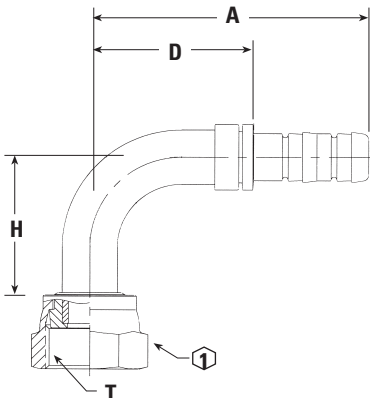
FJ5994



90° ORS Female Swivel

| PART NUMBER | TH'D "T" | HOSE SIZE | A REF | D REF | F REF | H REF | Ⓛ REF |
|-----------------|-----------|-----------|-------|-------|-------|-------|-------|
| FJ5994-01-0606S | 1-1/16-16 | 6 | 2.50 | 0.98 | — | 0.91 | 0.81 |
| FJ5994-02-0808S | 13/16-16 | 8 | 2.74 | 1.20 | — | 1.15 | 0.94 |
| FJ5994-04-1010S | 1-14 | 10 | 3.09 | 1.53 | — | 1.27 | 1.12 |
| FJ5994-03-1212S | 1-3/16-12 | 12 | 3.36 | 1.78 | — | 1.90 | 1.38 |
| FJ5994-05-0406S | 9/16-18 | 6 | 2.44 | 0.92 | — | 0.82 | 0.69 |
| FJ5994-05-1012S | 1-14 | 12 | 3.11 | 1.53 | — | 1.78 | 1.13 |
| FJ5994-07-0806S | 13/16-16 | 6 | 2.66 | 1.10 | — | 1.15 | 0.94 |

FJ3319



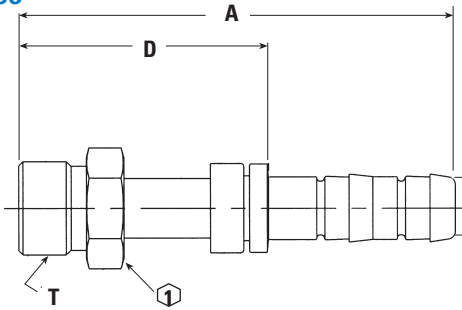
90° ORS Female Swivel (long drop)

| PART NUMBER | TH'D "T" | HOSE SIZE | A REF | D REF | F REF | H REF | Ⓛ REF |
|--------------|-----------|-----------|-------|-------|-------|-------|-------|
| FJ3319-1212S | 1-3/16-12 | 12 | 3.82 | 2.24 | — | 2.38 | 1.13 |

E-Z Clip System™

Fittings

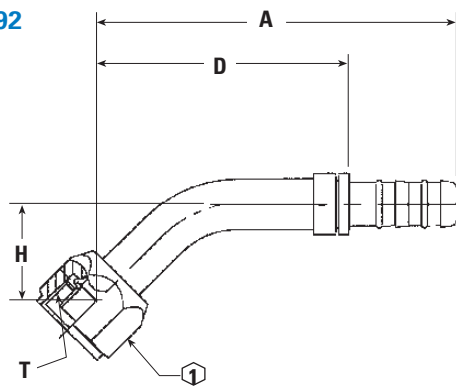
FJ3136



Straight Male O-ring (rigid) Metric Thread

| PART NUMBER | TH'D "T" | HOSE SIZE | A REF | D REF | F REF | H REF | ① REF |
|--------------|-----------|-----------|-------|-------|-------|-------|-------|
| FJ3136-0810S | M20 x 1.5 | 10 | 3.62 | 2.07 | 0.69 | — | 0.88 |

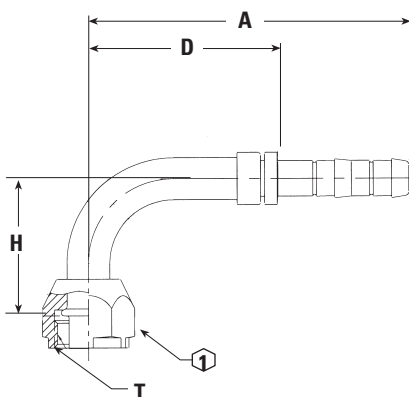
FJ3192



45° Female O-ring (long pilot, metric thread)

| PART NUMBER | TH'D "T" | HOSE SIZE | A REF | D REF | F REF | H REF | ① REF |
|-----------------|----------|-----------|-------|-------|-------|-------|-------|
| FJ3192-02-1212S | M27x2 | 12 | 4.74 | 3.17 | — | 1.47 | 1.25 |

**FJ3111
FJ3409**

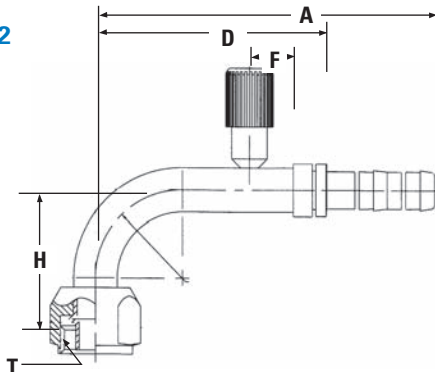


90° Female O-ring (long pilot) Metric Thread

| PART NUMBER | TH'D "T" | HOSE SIZE | A REF | D REF | F REF | H REF | ① REF |
|------------------|-----------|-----------|-------|-------|-------|-------|-------|
| FJ3111-01-0808S | M20 x 1.5 | 8 | 3.77 | 2.23 | — | 1.62 | 0.94 |
| FJ3111-02-0810S | M20 x 1.5 | 10 | 3.78 | 2.23 | — | 1.62 | 0.94 |
| FJ3111-03-0806S* | M20 x 1.5 | 6 | 3.75 | 2.23 | — | 1.62 | 0.94 |
| FJ3409-1212S | M27 x 2 | 12 | 4.74 | 3.16 | — | 2.56 | 1.25 |

*Non-Stock item

FJ3892



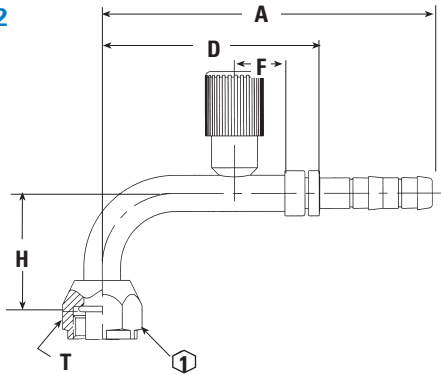
90° - Female O-ring (long pilot) with R134a Low Side Port (Metric Thread)

| PART NUMBER | TH'D "T" | HOSE SIZE | A REF | D REF | F REF | H REF | ① REF |
|-----------------|-----------|-----------|-------|-------|-------|-------|-------|
| FJ3892-01-1010S | M24 X 1.5 | 10 | 4.88 | 3.33 | .63 | 1.89 | 1.125 |

E-Z Clip System™

Fittings

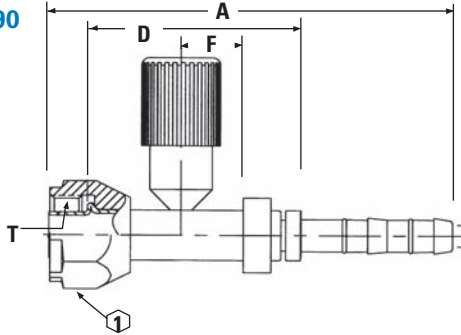
FJ3112



90° Female O-ring (long pilot) Metric Thread with High Side Charge Port (R134a)

| PART NUMBER | TH'D "T" | HOSE SIZE | A REF | D REF | F REF | H REF | ⊕ REF |
|-----------------|-----------|-----------|-------|-------|-------|-------|-------|
| FJ3112-01-0808S | M20 x 1.5 | 8 | 4.52 | 2.98 | 0.69 | 1.62 | 0.94 |
| FJ3112-02-0810S | M20 x 1.5 | 10 | 4.53 | 2.98 | 0.69 | 1.62 | 0.94 |
| FJ3112-03-0806S | M20 x 1.5 | 8 | 4.50 | 2.98 | 0.69 | 1.62 | 0.94 |

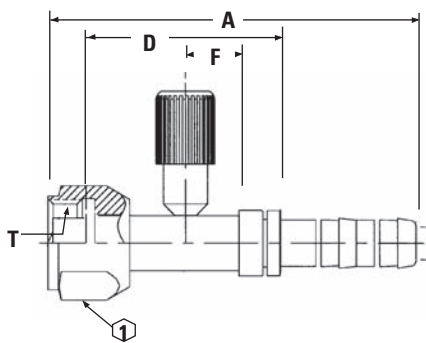
FJ3890



Straight - Female O-ring (long pilot) with R134a High Side Port (Metric Thread)

| PART NUMBER | TH'D "T" | HOSE SIZE | A REF | D REF | F REF | H REF | ⊕ REF |
|-----------------|-----------|-----------|-------|-------|-------|-------|-------|
| FJ3890-01-0806S | M20 X 1.5 | 6 | 4.06 | 2.16 | .63 | | 0.94 |

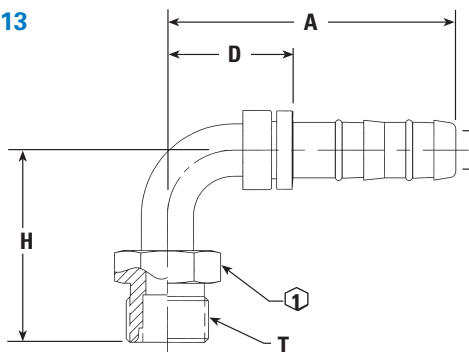
FJ3891



Straight - Female O-ring (long pilot) with R134a Low Side Port (Metric Thread)

| PART NUMBER | TH'D "T" | HOSE SIZE | A REF | D REF | F REF | H REF | ⊕ REF |
|-----------------|-----------|-----------|-------|-------|-------|-------|-------|
| FJ3891-01-1010S | M24 X 1.5 | 10 | 4.24 | 2.25 | .62 | | 1.125 |

FJ3113



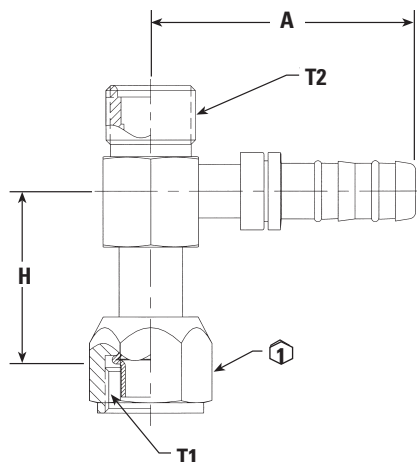
90° Male O-ring (rigid) Metric Thread

| PART NUMBER | TH'D "T" | HOSE SIZE | A REF | D REF | F REF | H REF | ⊕ REF |
|--------------|-----------|-----------|-------|-------|-------|-------|-------|
| FJ3113-0810S | M20 x 1.5 | 8 | 2.75 | 1.20 | — | 1.82 | 0.88 |

E-Z Clip System™

Fittings

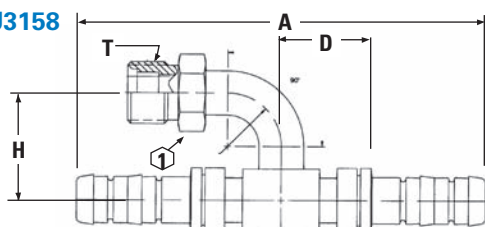
FJ3067
FJ3495



GM Tie In – Metric Tee

| PART NUMBER | TH'D "T" | HOSE SIZE | A REF | D REF | F REF | H REF | ① REF |
|--------------|-----------|-----------|-------|-------|-------|-------|-------|
| FJ3067-1212S | M27 x 2 | 12 | 3.12 | — | — | 2.02 | 1.25 |
| FJ3495-0808S | M20 x 1.5 | 8 | 2.71 | — | — | 1.68 | 0.94 |

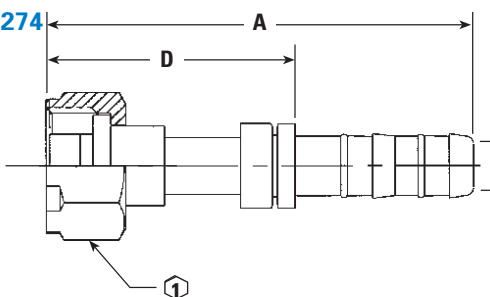
EJ3158



Tee Style Fitting with Male O-ring Connection

| PART NUMBER | TH'D "T" | HOSE SIZE | A REF | D REF | F REF | H REF | ① REF |
|----------------|----------|-----------|-------|-------|-------|-------|-------|
| EJ3158-101212S | 7/8-14 | 12 | 5.67 | 1.26 | — | 1.49 | 0.94 |

FJ3274

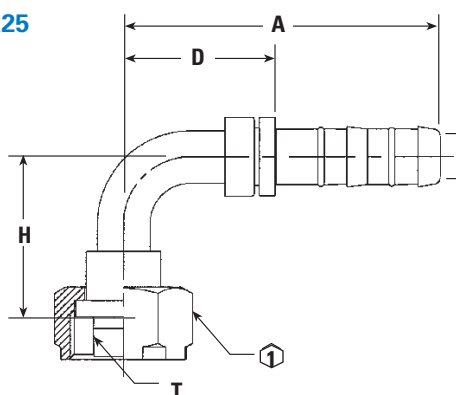


Straight – Female RotaLok

| PART NUMBER | TH'D "T" | HOSE SIZE | A REF | D REF | F REF | H REF | ① REF |
|---------------|----------|-----------|-------|-------|-------|-------|-------|
| FJ3274-1010S | 1-14 | 10 | 3.69 | 2.14 | — | — | 1.13 |
| FJ3274-1012S* | 1-14 | 12 | 3.75 | 2.14 | — | — | 1.13 |

*May not be available

FJ3225



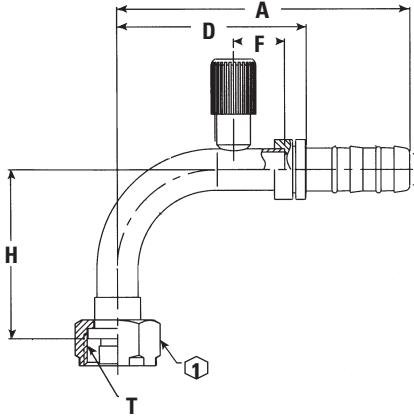
90° Female RotaLok

| PART NUMBER | TH'D "T" | HOSE SIZE | A REF | D REF | F REF | H REF | ① REF |
|--------------|----------|-----------|-------|-------|-------|-------|-------|
| FJ3225-1010S | 1-14 | 10 | 2.98 | 1.43 | — | 1.52 | 1.13 |

E-Z Clip System™

Fittings

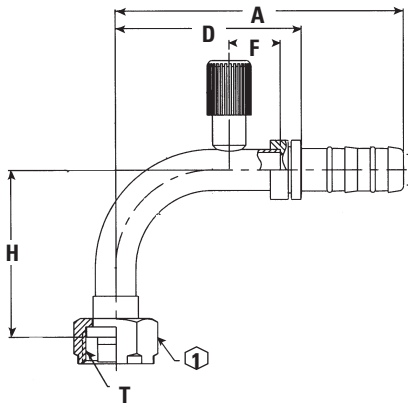
FJ3510



90° Female Rotalok with R134a Low Side Port

| PART NUMBER | TH'D "T" | HOSE SIZE | A REF | D REF | F REF | H REF | ① REF |
|--------------|----------|-----------|-------|-------|-------|-------|-------|
| FJ3510-1012S | 1-14 | 12 | 4.48 | 2.88 | .79 | 2.58 | 1.13 |

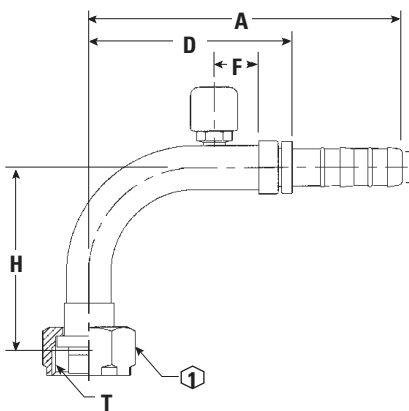
FJ3511



90° Female Rotalok with R134a High Side Port

| PART NUMBER | TH'D "T" | HOSE SIZE | A REF | D REF | F REF | H REF | ① REF |
|--------------|----------|-----------|-------|-------|-------|-------|-------|
| FJ3511-1010S | 1-14 | 10 | 4.43 | 2.88 | .79 | 2.58 | 1.13 |

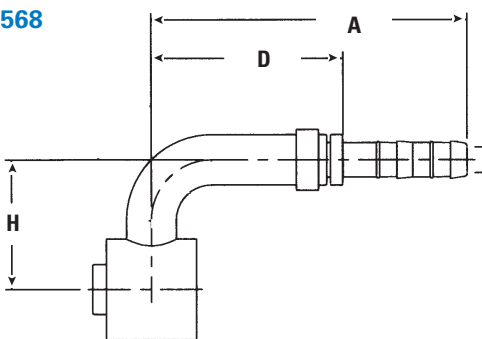
FJ3226



90° Female Rotalok with Switch Port (7/16-20 thread)

| PART NUMBER | TH'D "T" | HOSE SIZE | A REF | D REF | F REF | H REF | ① REF |
|--------------|----------|-----------|-------|-------|-------|-------|-------|
| FJ3226-1010S | 1-14 | 10 | 4.43 | 2.88 | 0.63 | 2.56 | 1.13 |

FJ3568



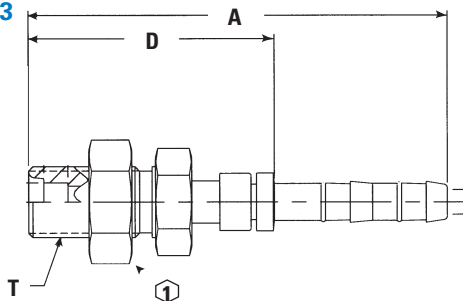
90° GM Block Style

| PART NUMBER | TH'D "T" | HOSE SIZE | A REF | D REF | F REF | H REF | ① REF |
|--------------|----------|-----------|-------|-------|-------|-------|-------|
| FJ3568-1008S | — | 8 | 3.92 | 2.38 | — | 1.60 | — |
| FJ3568-1010S | — | 10 | 3.83 | 2.28 | — | 2.31 | — |
| FJ3568-1012S | — | 12 | 3.86 | 2.28 | — | 2.38 | — |

E-Z Clip System™

Fittings

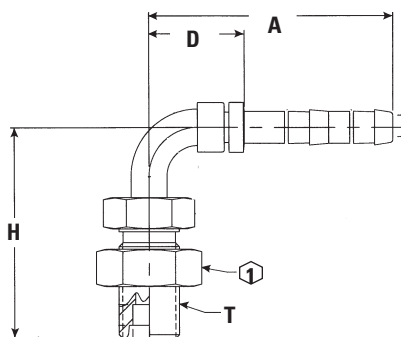
FJ3513



Straight Bulkhead

| PART NUMBER | TH'D "T" | HOSE SIZE | A REF | D REF | F REF | H REF | ① REF |
|--------------|-----------|-----------|-------|-------|-------|-------|-------|
| FJ3513-0606S | 5/8-18 | 6 | 3.69 | 2.16 | — | — | .94 |
| FJ3513-0808S | 3/4-16 | 8 | 3.93 | 2.39 | — | — | 1.0 |
| FJ3513-1010S | 7/8-14 | 10 | 4.49 | 2.94 | — | — | 1.13 |
| FJ3513-1212S | 1 1/16-14 | 12 | 4.45 | 2.87 | — | — | 1.375 |

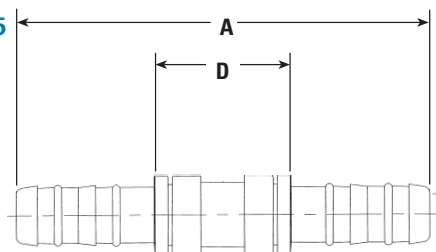
FJ3514



90° Male Bulkhead

| PART NUMBER | TH'D "T" | HOSE SIZE | A REF | D REF | F REF | H REF | ① REF |
|--------------|-----------|-----------|-------|-------|-------|-------|-------|
| FJ3514-0606S | 5/8-18 | 6 | 2.50 | .98 | — | 2.15 | .94 |
| FJ3514-0808S | 3/4-16 | 8 | 2.74 | 1.20 | — | 2.61 | 1.0 |
| FJ3514-1010S | 7/8-14 | 10 | 3.08 | 1.53 | — | 3.26 | 1.13 |
| FJ3514-1012S | 7/8-14 | 12 | 3.11 | 1.53 | — | 3.26 | 1.13 |
| FJ3514-1212S | 1-1/16-14 | 12 | 3.69 | 2.11 | — | 3.78 | 1.38 |

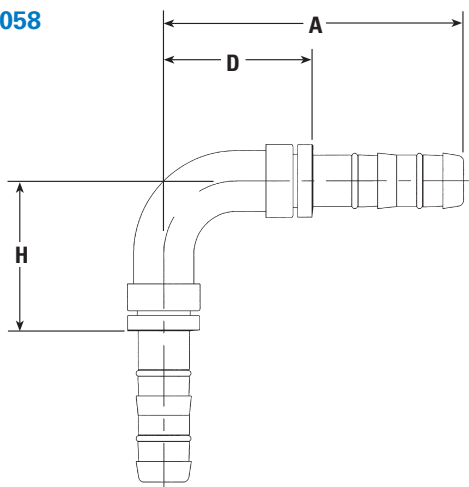
FJ3045



Straight Splicer

| PART NUMBER | TH'D "T" | HOSE SIZE | A REF | D REF | F REF | H REF | ① REF |
|--------------|----------|-----------|-------|-------|-------|-------|-------|
| FJ3045-0606S | — | 6 | 4.63 | 1.58 | — | — | — |
| FJ3045-0808S | — | 8 | 4.76 | 1.68 | — | — | — |
| FJ3045-1010S | — | 10 | 5.68 | 2.58 | — | — | — |
| FJ3045-1212S | — | 12 | 4.72 | 1.57 | — | — | — |
| FJ3045-1008S | — | 10, 8 | 5.78 | 2.69 | — | — | — |

FJ3058



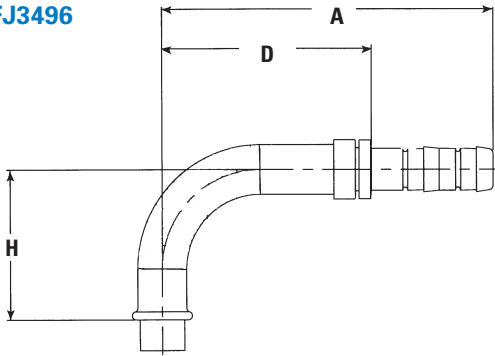
90° Splicer

| PART NUMBER | TH'D "T" | HOSE SIZE | A REF | D REF | F REF | H REF | ① REF |
|-----------------|----------|-----------|-------|-------|-------|-------|-------|
| FJ3058-01-0606S | — | 6 | 2.71 | 1.18 | — | 2.71 | — |
| FJ3058-02-0808S | — | 8 | 2.98 | 1.43 | — | 2.98 | — |
| FJ3058-03-1010S | — | 10 | 3.08 | 1.53 | — | 3.08 | — |
| FJ3058-04-1212S | — | 12 | 3.68 | 2.11 | — | 3.68 | — |

E-Z Clip System™

Fittings

FJ3496

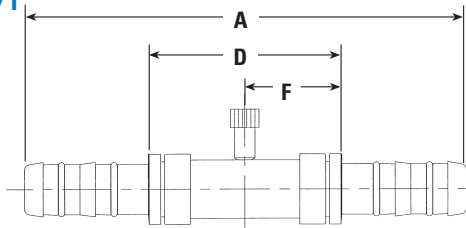


90° Pilot Connection (long pilot)

| PART NUMBER | TH'D "T" | HOSE SIZE | A REF | D REF | F REF | H REF | ① REF |
|-----------------|----------|-----------|-------|-------|-------|-------|-------|
| FJ3496-01-1010S | — | 10 | 4.22 | 2.67 | — | 1.89 | — |

* Consult applications engineer for additional sizes.

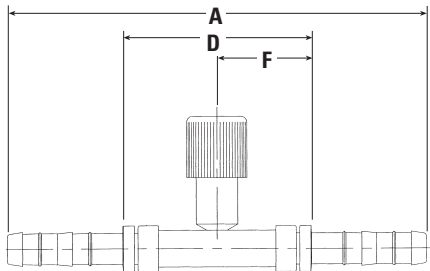
FJ3171



Splicer with SwitchPort 7/16-20Thd

| PART NUMBER | TH'D "T" | HOSE SIZE | A REF | D REF | F REF | H REF | ① REF |
|--------------|----------|-----------|-------|-------|-------|-------|-------|
| FJ3171-0606S | — | 6 | 5.41 | 2.36 | 1.18 | — | — |
| FJ3171-0808S | — | 8 | 5.61 | 2.52 | 1.26 | — | — |
| FJ3171-1010S | — | 10 | 5.54 | 2.44 | 1.22 | — | — |
| FJ3171-1212S | — | 12 | 5.60 | 2.44 | 1.22 | — | — |

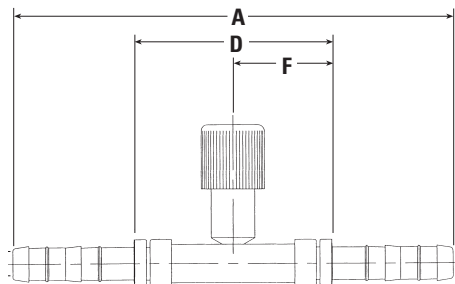
FJ5995



Splicer with High Side R134a Port

| PART NUMBER | TH'D "T" | HOSE SIZE | A REF | D REF | F REF | H REF | ① REF |
|--------------|----------|-----------|-------|-------|-------|-------|-------|
| FJ5995-0606S | — | 6 | 5.41 | 2.36 | 1.18 | — | — |
| FJ5995-0808S | — | 8 | 5.61 | 2.52 | 1.26 | — | — |
| FJ5995-1010S | — | 10 | 5.62 | 2.52 | 1.26 | — | — |
| FJ5995-1212S | — | 12 | 5.67 | 2.52 | 1.26 | — | — |

FJ5986



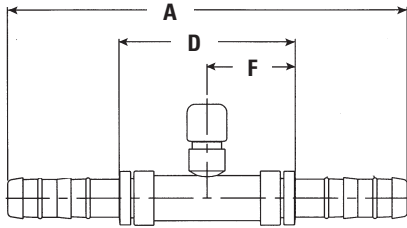
Splicer with R134a Low Side Port

| PART NUMBER | TH'D "T" | HOSE SIZE | A REF | D REF | F REF | H REF | ① REF |
|--------------|----------|-----------|-------|-------|-------|-------|-------|
| FJ5986-1010S | — | 10 | 5.54 | 2.44 | 1.22 | — | — |
| FJ5986-1212S | — | 12 | 5.60 | 2.44 | 1.22 | — | — |

E-Z Clip System™

Fittings

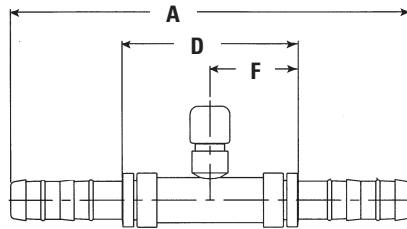
FJ3427



Splicer with High Side Switch Port (M10 X 1.25)

| PART NUMBER | TH'D "T" | HOSE SIZE | A REF | D REF | F REF | H REF | ① REF |
|--------------|----------|-----------|-------|-------|-------|-------|-------|
| FJ3427-0808S | — | 8 | 5.61 | 2.52 | 1.26 | — | — |
| FJ3427-1010S | — | 10 | 5.54 | 2.44 | 1.22 | — | — |

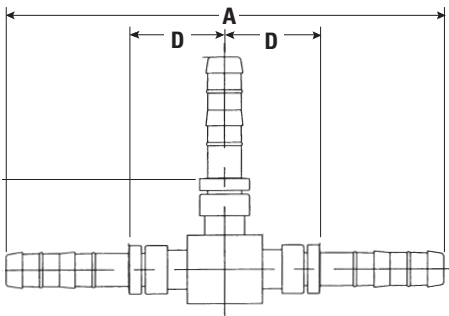
FJ3428



Splicer with Low Side Switch Port (M12 X 1.25)

| PART NUMBER | TH'D "T" | HOSE SIZE | A REF | D REF | F REF | H REF | ① REF |
|--------------|----------|-----------|-------|-------|-------|-------|-------|
| FJ3428-1212S | — | 12 | 5.59 | 2.44 | 1.22 | — | — |

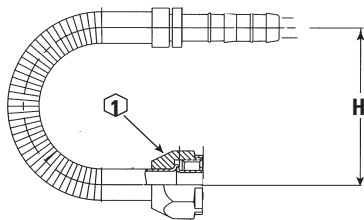
FJ3066



"T" Splicer - 3 Hose Connector

| PART NUMBER | TH'D "T" | HOSE SIZE | A REF | D REF | F REF | H REF | ① REF |
|----------------|----------|-----------|-------|-------|-------|-------|-------|
| FJ3066-0808S | — | 8 | 5.48 | 2.40 | — | — | — |
| FJ3066-1010S | — | 10 | 5.62 | 2.52 | — | — | — |
| FJ3066-1212S | — | 12 | 5.67 | 2.52 | — | — | — |
| FJ3066-101212S | — | 10x12x12 | 5.67 | 2.52 | — | — | — |
| FJ3066-060808S | — | 6 x 8 x 8 | 5.48 | 2.40 | — | — | — |

FJ3623



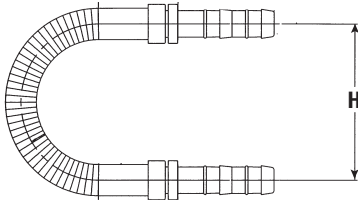
180° Female O-ring Pilot

| PART NUMBER | TH'D "T" | HOSE SIZE | A REF | D REF | F REF | H REF | ① REF |
|--------------|-----------|-----------|-------|-------|-------|-------|-------|
| FJ3623-0808S | M20 x 1.5 | 8 | — | — | — | 2.50 | .94 |

E-Z Clip System™

Fittings

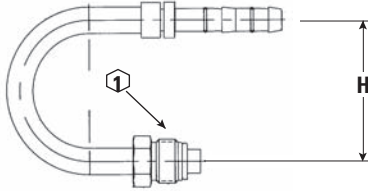
FJ3624



180° Splicer

| PART NUMBER | TH'D "T" | HOSE SIZE | A REF | D REF | F REF | H REF | ① REF |
|--------------|----------|-----------|-------|-------|-------|-------|-------|
| FJ3624-0808S | — | 8 | — | — | — | 2.50 | — |

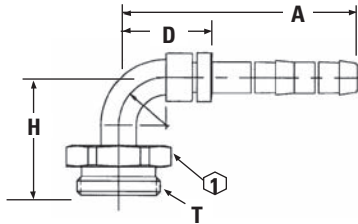
FJ3804



180° Male O-ring

| PART NUMBER | TH'D "T" | HOSE SIZE | A REF | D REF | F REF | H REF | ① REF |
|--------------|----------|-----------|-------|-------|-------|-------|-------|
| FJ3804-0606S | 5/8-18 | 6 | — | — | — | 2.00 | .625 |

FJ3914



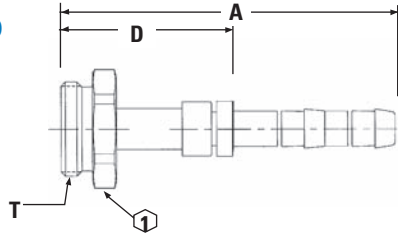
90° 5400 Coupling Thread

| PART NUMBER | TH'D "T" | HOSE SIZE | A REF | D REF | F REF | H REF | ① REF |
|-----------------|----------|-----------|-------|-------|-------|-------|-------|
| FJ3914-03-1210S | 1 1/4-18 | 10 | 3.08 | 1.53 | — | 1.73 | 1.375 |
| FJ3914-04-0806S | 7/8-20 | 6 | 2.5 | 0.98 | — | 1.23 | 1.000 |

E-Z Clip System™

Fittings

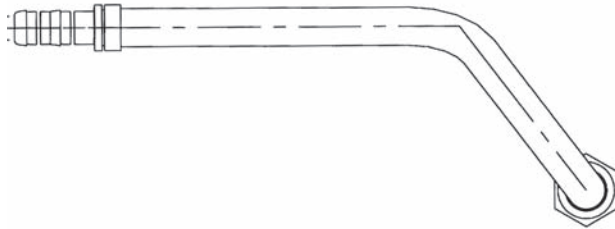
FJ3970



Straight 5400 Coupling Thread

| PART NUMBER | TH'D "T" | HOSE SIZE | A REF | D REF | F REF | H REF | ① REF |
|--------------|----------|-----------|-------|-------|-------|-------|-------|
| FJ3970-0606S | 7/8-20 | 6 | 3.14 | 1.82 | — | — | 1.000 |

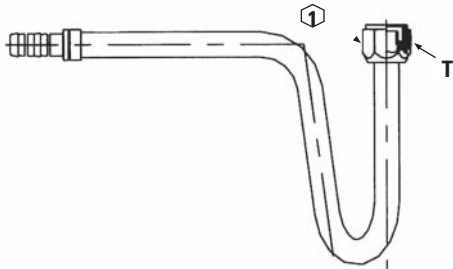
FJ3734



Female O-ring (Long Pilot) Compound Tube

| PART NUMBER | TH'D "T" | HOSE SIZE | A REF | D REF | F REF | H REF | ① REF |
|--------------|-----------|-----------|-------|-------|-------|-------|-------|
| FJ3734-1212S | 1 1/16-14 | 12 | — | — | — | — | 1.25 |

FJ3801



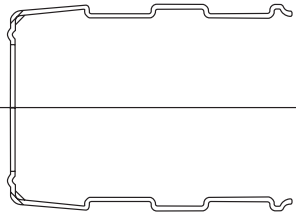
Female O-ring (Long Pilot) Compound Tube

| PART NUMBER | TH'D "T" | HOSE SIZE | A REF | D REF | F REF | H REF | ① REF |
|--------------|-----------|-----------|-------|-------|-------|-------|-------|
| FJ3801-1212S | 1 1/16-14 | 12 | — | — | — | — | 1.25 |

E-Z Clip System™

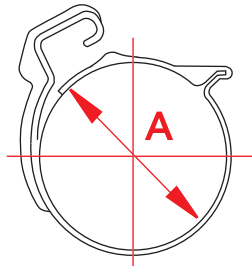
Cages, Clips and Lifesavers

Cages / Fitting to Hose Attachment



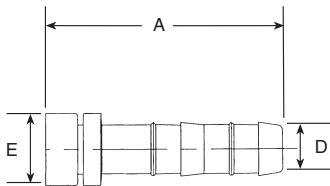
| PART NUMBER | CAGE SIZE | HOSE DESCRIPTION |
|-------------|-----------|-------------------------|
| 1F40105-04C | -04 | Cages for size -04 hose |
| 1F40105-06C | -06 | Cages for size -06 hose |
| 1F40105-08C | -08 | Cages for size -08 hose |
| 1F40105-10C | -10 | Cages for size -10 hose |
| 1F40105-12C | -12 | Cages for size -12 hose |

Clips Hose / Cage Connection



| PART NUMBER | A REF | DESCRIPTION |
|-------------|---------|-------------------------|
| 1F40104-04C | 14 mm | Clips for size -04 hose |
| 1F40104-06C | 18 mm | Clips for size -06 hose |
| 1F40104-08C | 20.5 mm | Clips for size -08 hose |
| 1F40104-10C | 23 mm | Clips for size -10 hose |
| 1F40104-12C | 27.5 mm | Clips for size -12 hose |

Lifesaver Braze Nipple



| PART NUMBER | TH'D "T" | HOSE SIZE | A REF |
|---------------|----------|-----------|-------|
| FF12262-0606S | — | 6 | 2.01 |
| FF12262-0608S | — | 8 | 2.02 |
| FF12262-0808S | — | 8 | 2.02 |
| FF12262-0810S | — | 10 | 2.03 |
| FF12262-1010S | — | 10 | 2.03 |
| FF12262-1012S | — | 12 | 2.06 |
| FF12262-1212S | — | 12 | 2.11 |

*O-rings packaged separately

E-Z Clip System

Assembly Tools

Pliers / Connecting Tool



| CATALOG NUMBER | DESCRIPTION |
|----------------|-----------------|
| FT1357 | Connecting Tool |

Hose Cutter



| CATALOG NUMBER | DESCRIPTION |
|----------------|---|
| T-135 | Plastic Tube and Hose Cutter Replacement Blade |
| T-135B | |

Core Tools



FF90192-02



FF90192-01

| CATALOG NUMBER | DESCRIPTION |
|----------------|---------------------------|
| FF90192-02 | High Side Core* |
| FF90192-01 | Low Side Core* |
| FF90193-02 | High Side Cap |
| FF90193-01 | Low Side Cap |
| FF9872-04 | Cap for 7/16-20 Thd. port |

*For Weatherhead high flow charge ports only.



FF90193-02, FF90193-01



FF9872-04

E-Z Clip Components

Ordering & Identifying



The E-Z Clip System is designed for assembly with Weatherhead GH134W Multi-Refrigerant hose. Its engineered connection exceeds SAE J2064 and has been vibration and impulse tested.

The benefits of E-Z Clip are virtually endless:

- No guess work
- No leaking crimps
- No power supply needed
- As easy to use as a pair of pliers
- Easy to use in confined areas

Assembly Materials Checklist

- Pliers (FT1357)
- Guillotine blade (T-135) or equivalent cutting tool
- Refrigerant oil compatible with refrigeration or A/C system
- GH134W Multi-Refrigerant hose
- Nipple assembly*
- Appropriately sized clips and cage

*The two black o-rings on the nipple assembly are of a specific rubber compound and size. They should NOT be removed.



E-Z Clip System Components Are Simple to Identify, Order and Use

ORDERING INFORMATION

| Hose | Nipple | Cage | Clips |
|-----------|------------|-------------|-------------|
| GH134-6W | FJ__-__06S | 1F40105-06C | 1F40104-06C |
| GH134-8W | FJ__-__08S | 1F40105-08C | 1F40104-08C |
| GH134-10W | FJ__-__10S | 1F40105-10C | 1F40104-10C |
| GH134-12W | FJ__-__12S | 1F40105-12C | 1F40104-12C |

IDENTIFICATION GUIDE

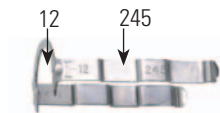
| Hose | Cage | Clips | Nipple O-Ring*(HNBR) |
|-----------|---------------|------------|----------------------|
| GH134-6W | -6 and 150150 | 1F40106-06 | |
| GH134-8W | -8 and 175175 | 1F40106-08 | |
| GH134-10W | -10 and 200 | 200 | 1F40106-10 |
| GH134-12W | -12 and 245 | 245 | 1F40106-12 |

* The o-ring shown must be used on the hose nipple. NO substitution can be made, without potential of failure.

For Example...



Hose



Cage



Cage Groove



Clips

E-Z Clip System

Assembly Instructions

Step 1. Cut the Hose

Cut the hose to proper length with an appropriate cutting tool. The Weatherhead hand-held hose cutter (T-135) has been specifically designed for cutting all non-wire reinforced hose, such as GH134W Multi-Refrigerant hose. Be sure the cut is made square to the hose length.



Step 2. Slip on Two Clips

Install two proper-sized clips onto the cut end of the hose. Orientation of the clips does not affect the performance of the connection. However, for ease of assembly, both clips should have the same orientation.



NOTE:

Failure to slide the clips over the hose at this time will require the clips to be stretched over the hose or fitting later. This may permanently damage the clip.

Step 3. Oil the Nipple

Lubricate the nipple with a generous amount of the refrigeration or A/C system's compressor lubricating oil. This **MUST** be done to lower the force of nipple insertion.



NOTE:

Be sure to wipe excess oil from the nipple and hose.

Step 4. Insert the Nipple into the Hose

To ensure that the nipple is fully inserted, check the gap between the cut end of the hose and the shoulder on the nipple.

Care should be taken to avoid kinking or other damage to the hose during nipple insertion.



This step **MUST** be performed to ensure:

1. The clips will be located over the o-rings on the nipple.
2. The connection will be compatible with the connection's pressure rating.

Step 5. Snap on the Cage

Snap the cage into the groove on the nipple. The arms should extend over the hose length. When the cage has been correctly installed in the cage groove, the cage will be able to rotate in the groove.

E-Z Clip System

Assembly Instructions (cont.)

Step 6: Slide the Clips

Slide the clips over the cage arms and into the channels on each arm



Step 7: Close the Clips

Use the FT1357 pliers to close the clips. The pliers should be positioned squarely on the clip connection points and should remain square during the closing of the clip.



For easiest assembly, the clasp should be closed between the cage arms.

The nose of the pliers should be firmly seated under the assembly bump and lock latch.



For easiest assembly, the clasp should be closed between the cage arms. If the pliers are not kept square during closing of the clip, the clasp may have an offset. Use the pliers to correct the clasp alignment.

Notice

E-Z Clip components should not be reused.

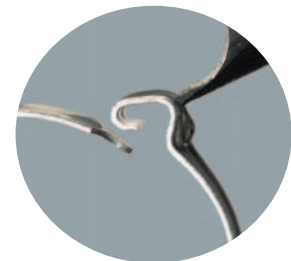
⚠ CAUTION

Failure to follow these assembly instructions and/or the use of Weatherhead hose with fittings supplied by other manufacturers may result in unreliable and unsafe hose assemblies, which may result in sudden or unintended escape of refrigerant gases. Personal injury and/or violations of EPA regulations may occur as a consequence.

Eaton recommends adherence to all guidelines, including EPA guidelines, concerning the service of refrigerant systems.



Correct



Incorrect



Incorrect

Correct

Eaton
14615 Lone Oak Road
Eden Prairie, MN 55344
USA
Tel: 952 937-9800
Fax: 952 974-7722
www.hydraulics.eaton.com

Weatherly Index Number 630-4



Weatherhead

© 2005 Eaton Corporation
All Rights Reserved
Printed in USA
Document No. W-HOAC-MC001-E1
Supersedes W-HOAC-MC001-E
August 2005