



EATON Aeroquip

A/C & Refrigeration Hose & Fittings



Table of Contents

How to Use This Catalog	3
E-Z Clip System	4
O-rings	6
E-Z Clip Fittings	8
E-Z Clip Cages and Clips	28
Size -04 E-Z Clip System	29
E-Z Clip Assembly Tools	31
E-Z Clip Components/Ordering and Identifying	32
E-Z Clip Assembly Instructions	33

Tables

PART #	DESCRIPTION	PAGE	PART #	DESCRIPTION	PAGE
FF12262	Lifesaver	24	FJ3365	45° Female O-ring (SP)	11
FF90178	O-ring	6	FJ3366	SAE 90° w/R134a C/Port and Switch Port	17
EJ3158	Tee Style Fitting with Male O-ring Connection	21	FJ3408	Female O-ring (LP) Metric	8
FJ3012	Female O-ring	11	FJ3409	Female O-ring (LP) Metric	19
FJ3013	Male O-ring (SP)	12	FJ3416	Female O-ring (LP) w/Switch Port	10
FJ3019	Male O-ring (SP)	14	FJ3427	Splicer	25
FJ3026	Male Tube-O (Mach)	15	FJ3428	Splicer	25
FJ3045	Splicer	23	FJ3444	Female O-ring (LP) w/Switch Port	13
FJ3047	Female O-ring (LP)	12	FJ3460	Female O-ring (LP) w/Switch Port	13
FJ3052	Male O-ring	13	FJ3461	Female O-ring (LP) w/Switch Port	10
FJ3053	Female O-ring (SP)	9	FJ3495	GM Tie In	21
FJ3054	Female O-ring (SP)	9	FJ3496	90° Pilot Connection (LP)	24
FJ3055	Female O-ring (SP)	8	FJ3508	Straight - Female 37° Flare	16
FJ3056	Male Tube-O (Mach)	15	FJ3509	90° (JIC) Female Swivel	17
FJ3057	SAE 45° Female Swivel	16	FJ3510	Female Rotalock w/C Port	22
FJ3058	Splicer	23	FJ3511	Female Rotalock w/C Port	22
FJ3059	Flare	16, 26	FJ3513	Straight Bulkhead	23
FJ3066	Tee	25	FJ3514	90° Bulkhead	23
FJ3067	GM Tie In	21	FJ3568	GM Block Style	22
FJ3111	Female Tube-O-Swivel (LP)	19	FJ3611	90° Male MIO	15
FJ3112	Female Tube-O-Swivel (LP)	20	FJ3623	180° Female O-ring	23
FJ3113	Male O-ring	20	FJ3624	180° Splicer	26
FJ3116	Male O-ring	13	FJ3632	Straight - Female O-ring (LP)	8
FJ3131	Male O-ring	14	FJ3731	Straight - Female 37° Flare	16
FJ3132	Male O-ring	14	FJ3734	Female O-ring (LP) Compound Tube	27
FJ3133	SAE 45° Flare	17	FJ3801	Female O-ring (LP) Compound Tube	27
FJ3134	Male O-ring	14	FJ3804	180° Male O-ring	26
FJ3135	Male O-ring	14	FJ3890	Straight - Female O-ring (LP)	20
FJ3136	Male O-ring (LP)	19	FJ3891	Straight - Female O-ring (LP)	20
FJ3149	Flare	17, 26	FJ3892	45° Female O-ring (LP, metric thread)	19
FJ3161	ORS Female Swivel	17	FJ3914	90° 5400 Coupling Thread	26
FJ3162	Female O-ring (LP)	10	FJ3970	Straight 5400 Coupling Thread	27
FJ3163	Female O-ring (SP)	12	FJ5984	Straight - Female O-ring (SP)	8
FJ3171	Splicer	24	FJ5985	90° Elbow - Female O-ring (SP)	9
FJ3192	Female O-ring (LP)	19	FJ5986	Splicer	24
FJ3225	Female RotaLok	21	FJ5994	90° ORS Swivel	18
FJ3226	Female RotaLok w/Switch Port	22	FJ5995	Splicer	24
FJ3230	Female O-ring w/Switch Port (LP)	11	GH134	Multi-Refrigerant Hose	5
FJ3274	Female RotaLok	21	GA23911	Straight ORS Female Swivel	18
FJ3288	Female O-ring (LP)	9	GA23912	45° ORS Female Swivel	18
FJ3289	Female O-ring w/Switch Port (LP)	12	GA23913	90° ORS Swivel	17
FJ3319	Female ORS	18		(SP - Short Pilot) (LP - Long Pilot)	
FJ3363	Female O-ring (SP) w/R134a Port & Switch Port	10, 11			

FC802/FC558 with 100R5 Reusable Fitting Program	31
GH134/FC505 Factory Crimp Program	38
Accessories	49

How to Use This Catalog

Accurate processing and prompt delivery of your order depend on easy identification of your requirements. Please order Aeroquip parts using correct part numbers as described in this catalog. Inquiries and orders should be directed to your Aeroquip Distributor or:

Eaton
14615 Lone Oak Road
Eden Prairie, MN 55344
USA
Tel: 952 937-9800
Fax: 952 974-7722

www.hydraulics.eaton.com

Part Numbers and Dash Sizes

The first two numbers of the dash size of each part number, (example: -0608) indicates the size of the terminal, or connecting end. The second two numbers of the dash sizes (example: -0608) indicates the hose size. In the example -0608, 08 is the hose size.

Dimensions

Dimensions given in this catalog for Aeroquip products are approximate and should be used for reference only. Exact dimensional information for a given product is subject to change and varying tolerances; contact Eaton directly for full current information.

Cut Length Hose

Cut lengths of hose should be ordered as shown below by specifying lengths in inches.

For alpha-numeric part numbers: GH134-8-00484
 Hose type _____
 Hose dash size (in 16ths of an inch) _____
 Cut length (in inches) _____
 Last digit is in 8ths of an inch. Example: 00484 = 48½ inches

Bulk Hose

Bulk hose should be ordered by specifying length in feet as shown below.

Complete number: 500 ft.-GH134-8
 Quantity (in feet) _____
 Hose type _____
 Hose size (refer to hose spec sheet) _____

Reeled Hose

GH134 hose is available on reels. Maximum number of lengths per reel is five (5). The approximate lengths per reel are shown below:

PART NUMBER	AVG # FT/REEL	MAX # PIECES/REEL
GH134-6RL	560	3
GH134-8RL	575	3
GH134-10RL	560	3
GH134-12RL	367	4

General Information

Flexible hose lines offer many advantages over rigid tubing including routing ease, vibration absorption, sound deadening and the ability to accommodate movement of connected components. However, hose lines require caution in use – not only to provide long service – but also to guard against potentially dangerous failure.

Important

Special care should be taken when selecting the proper refrigerant hose and fittings. The information contained in this bulletin is provided as a general guide to assist in making the appropriate product selection. This guide does not address every parameter that must be considered when selecting a product. The user must make the final product selection in consideration of the user's unique requirements.

Additionally, special care must be taken when working with refrigerant systems. Sudden escape of refrigerant gases may result in blindness or severe injury. Eaton recommends adherence to the guidelines and general practices as defined in SAE

J2211 for the service and containment of HFC-134a, as well as all applicable EPA guidelines and procedures concerning the service of refrigerant systems.

Warning

Aeroquip fitting tolerances are engineered to match Aeroquip hose tolerances. The use of Aeroquip fittings on hose supplied by other manufacturers and/or the use of Aeroquip hose with fittings supplied by other manufacturers may result in the production of unreliable and unsafe hose assemblies and is not authorized by Eaton.

EATON SHALL NOT BE SUBJECT TO AND DISCLAIM ANY OBLIGATIONS OR LIABILITIES (INCLUDING

BUT NOT LIMITED TO ALL CONSEQUENTIAL, INCIDENTAL AND CONTINGENT DAMAGES) ARISING OUT OF BREACH OF CONTRACT OR OF WARRANTY OR ARISING FROM TORT CLAIMS (INCLUDING WITHOUT LIMITATION NEGLIGENCE AND STRICT LIABILITY) OR OTHER THEORIES OF LAW WITH RESPECT TO ANY HOSE ASSEMBLIES NOT PRODUCED FROM GENUINE AEROQUIP HOSE FITTINGS, HOSE AND AEROQUIP APPROVED EQUIPMENT, AND IN CONFORMANCE WITH AEROQUIP PROCESS AND PRODUCT INSTRUCTIONS FOR EACH SPECIFIC HOSE ASSEMBLY.

E-Z Clip System™

Tool Case

Part # FF12139

NOTE:

The E-Z Clip System has been designed to work exclusively with Aeroquip GH134 Hose.



KIT CONTENTS COMPONENTS PART NUMBER	DESCRIPTION	QTY/PER KIT
1F40104-size	Clips	20 each size
1F40105-size	Cages	10 each size
FT1357	Assy. Tool	1
FT1356	Hose Cutter	1
FT1356-2-1	Replacement Blade	1

E-Z Clip System™

GH134

Multi-Refrigerant Hose

SAE J2064
Type E Class 1



PART NUMBER	HOSE I.D.	HOSE O.D.	MAXIMUM OPERATING PRESSURE	E-Z CLIP MINIMUM BURST PRESSURE	MINIMUM BEND RADIUS	WEIGHT PER FOOT
	MM/INCHES	MM/INCHES	BAR/PSI	BAR/PSI	MM/INCHES	POUNDS
GH134-6	7.9/.31	14.7/.58	35/500	140/2000	50/2.00	.09
GH134-8	10.3/.41	17.8/.70	35/500	140/2000	63/2.50	.12
GH134-10	12.7/.50	19.8/.78	35/500	140/2000	76.2/3.00	.15
GH134-12	15.9/.63	24.9/.98	35/500	140/2000	101.6/4.00	.18
GH134-16	22.4/.88	31.2/1.23	35/500	140/2000	127/6.0	.21

Application: Transportation, refrigeration and air conditioning systems.

Operating Temperature Range: -22°F to +257°F (-30°C to +125°C).

R404a Effusion: .2 lbs./ft2/yr. at 140°F (.8 kg./m2/yr. at 60°C)

HFC 134a Effusion: .50 lbs./ft2/yr. at 176°F (2.42 kg./m2/yr. at 80°C)

R22 Effusion: 27.7 lbs./ft2/yr. at 158°F (135 kg./m2/yr. at 70°C)

R407C Effusion: 20 kg./m2/yr. at 80°C

Moisture Ingression: .08 gm./in2/yr. (.013/cm2/yr)

Features

- Internal polyamide veneer tube
- Synthetic-rubber backing layer
- Stabilized, synthetic braided reinforcement
- Chlorobutyl rubber cover
- E-Z Clip fittings

Benefits

- Excellent effusion resistance
- Maximum resistance to moisture ingress
- Extended service performance
- Superior flexibility
- Assured coupling integrity, exceeds SAE J2064 performance

Warning

E-Z Clip has been designed and engineered to work EXCLUSIVELY with Aeroquip GH134 hose. Size -04 has been designed to work with FC505 hose.

For information regarding other refrigerants and lubricants, please contact Eaton customer service at 952-937-9800.

E-Z Clip System™

O-rings

Refrigerant Compatibility Chart of Refrigerant Hoses

REFRIGERANT	HOSE STYLE		GH134	FC558
	FC802	FC505		
R-12	Y	Y	Y	N
R-22	Y	Y	Y	N
R-134a	Y	Y	Y	Y
R-502	Y	Y	Y	N
MP39	Y	Y	Y	N
MP66	Y	Y	Y	N
R404a	Y	Y	Y	N

Lubricant Compatibility Chart

LUBRICANT	HOSE STYLE		GH134	FC558
	FC802	FC505		
Mineral Oil	Y	Y	Y	N
PAG	Y	Y	Y	Y
Ester Oil	Y	Y	Y	Y
Alkylbenzene	Y	Y	*	N

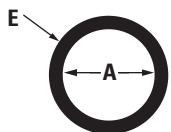
Y = Compatible N = Non-compatible

* Consult Tech Support

Tubing Identification

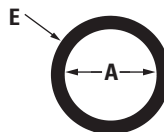
SIZE	TUBING STYLE	WALL THICKNESS
-6	SAE J526	0.035
-0608	SAE J526	0.035
-8	SAE J526	0.035
-0810	SAE J526	0.035
-10	SAE J525	0.049
-1012	SAE J525	0.049
-12	SAE J525	0.049

O-rings for Bump Tube O-ring Seal and O-ring Pilot Fittings



22546

Material: Chloroprene (Neoprene)
Durometer: 72
Temperature Range: -65°F to +300°F



FF90178

Material: HNBR
Durometer: 70
Temperature Range: -25°F to +300°F

O-RING PART NUMBER	O-RING PILOT DASH SIZE	A	E
22546-11	-06	.301	.07
22546-13	-08	.426	.07
22546-15	-10	.551	.07
22546-17	-12	.676	.07

O-RING PART NUMBER	O-RING PILOT DASH SIZE	A	E
FF90178-11	-06	.301	.0625
FF90178-13	-08	.426	.0625
FF90178-15	-10	.551	.0625
FF90178-17	-12	.676	.0625

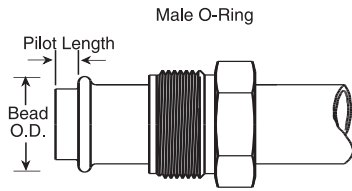
E-Z Clip System™

End Connections

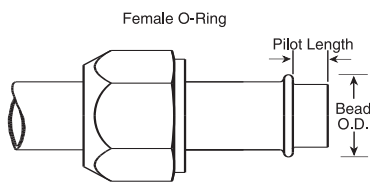
How to Identify O-ring Pilot Thread Sizes

This connection is common to air conditioning systems, both in vehicle and commercial applications. Both the male and female halves of the connections have a pilot,

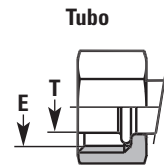
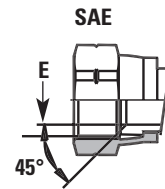
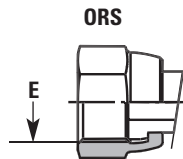
either long or short. The seal takes place by compressing an O-ring adjacent to the bead of the tube. The threads hold the connection together mechanically.



INCH SIZE	DASH SIZE	MALE THREAD O.D. (INCH)			FEMALE THREAD I.D. (INCH)		
		NOMINAL THREAD	FRACTION	DECIMAL	NOMINAL THREAD	FRACTION	DECIMAL
3/8	06	5/8 - 18	5/8	.62	5/8 - 18	9/16	.57
1/2	08	3/4 - 18	3/4	.75	3/4 - 16	11/16	.69
5/8	10	7/8 - 18	7/8	.87	7/8 - 14	13/16	.81
3/4	12	1-1/16 - 16	1-1/16	1.06	11/16 - 14	1	.99



INCH SIZE	NOMINAL TUBE SIZE	LONG PILOT		SHORT PILOT	
		BEAD O.D. (INCH)	PILOT LENGTH	BEAD O.D. (INCH)	PILOT LENGTH
3/8	06	.52	.28	.52	.19
1/2	08	.64	.39	.64	.19
5/8	10	.77	.39	.77	.19
3/4	12	.91	.39	.91	.19

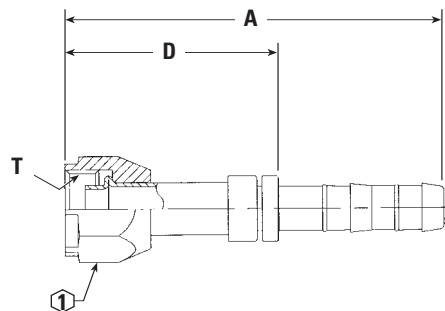


SIZE	ORS THREAD	ØE	SAE THREAD	ØE	TUBO THREAD	ØE	ØT
-4	9/16-18	12,9	7/16-20	—	—	—	—
-6	11/16-16	15,9	5/8-18	14,5	5/8-18	14,5	8,4
-8	13/16-16	19,1	3/4-16	17,5	3/4-16	17,5	11,6
-10	1-14	23,6	7/8-14	20,5	7/8-14	20,5	14,4
-12	1-3/16-12	28,1	1-1/16-14	25,2	1-1/16-14	25,2	17,5
-16	1-7/16-12	34,5	—	—	—	—	—
-20	1-11/16-12	40,7	—	—	—	—	—
-24	—	—	—	—	—	—	—

E-Z Clip System™

Fittings

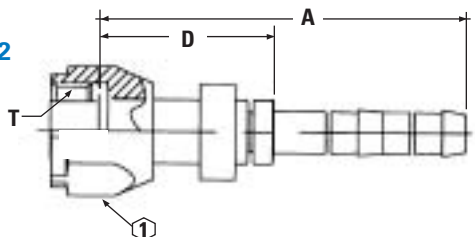
FJ5984



Straight – Female O-ring (short pilot)

PART NUMBER	TH'D "T"	HOSE SIZE	A REF	D REF	F REF	H REF	① REF
FJ5984-0606S	5/8-18	6	3.14	1.62	—	—	0.75
FJ5984-0608S	5/8-18	8	3.16	1.62	—	—	0.75
FJ5984-0808S	3/4-16	8	3.56	2.02	—	—	0.88
FJ5984-0810S	3/4-16	10	3.57	2.02	—	—	0.88
FJ5984-1008S	7/8-14	8	3.62	2.08	—	—	0.88
FJ5984-1010S	7/8-14	10	3.63	2.08	—	—	1.06
FJ5984-1012S	7/8-14	12	3.66	2.08	—	—	1.06
FJ5984-1210S	1-1/16-14	10	4.25	2.62	—	—	1.25
FJ5984-1212S	1-1/16-14	12	4.25	2.67	—	—	1.25

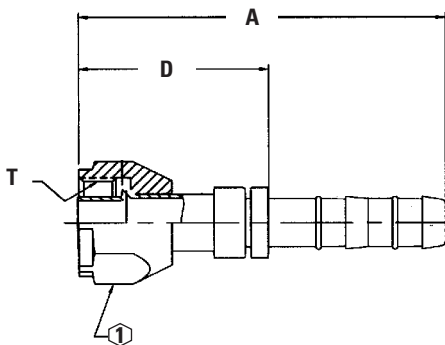
FJ3632



Straight - Female O-ring (long pilot)

PART NUMBER	TH'D "T"	HOSE SIZE	A REF	D REF	F REF	H REF	① REF
FJ3632-0806S	3/4-16	6	2.91	1.36	—	—	0.875

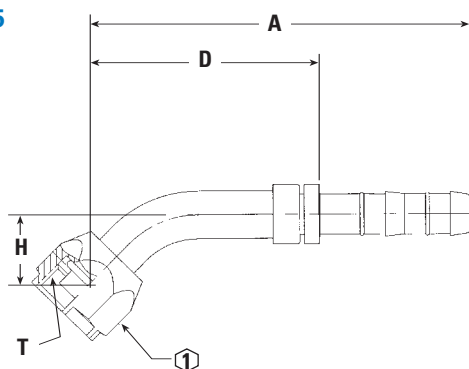
FJ3408



Straight – Female O-ring, Metric Thread (long pilot)

PART NUMBER	TH'D "T"	HOSE SIZE	A REF	D REF	F REF	H REF	① REF
FJ3408-0808S	M20 x 1.5	8	3.20	1.66	—	—	0.94
FJ3408-0810S	M20 x 1.5	10	3.21	1.66	—	—	0.94
FJ3408-1212S	M27 x 2	12	4.25	2.67	—	—	1.25

FJ3055



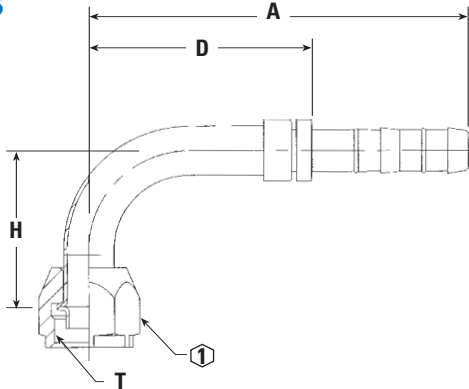
45° Elbow Female O-ring (short pilot)

PART NUMBER	TH'D "T"	HOSE SIZE	A REF	D REF	F REF	H REF	① REF
FJ3055-01-0606S	5/8-18	6	3.60	2.08	—	0.67	0.75
FJ3055-02-0608S	5/8-18	8	3.62	2.08	—	0.67	0.75
FJ3055-03-0808S	3/4-16	8	3.94	2.40	—	0.73	0.88
FJ3055-04-0810S	3/4-16	10	3.95	2.40	—	0.73	0.88
FJ3055-05-1010S	7/8-14	10	4.37	2.81	—	1.19	1.06
FJ3055-06-1012S	7/8-14	12	4.46	2.88	—	1.25	1.06
FJ3055-07-1212S	1-1/16-14	12	5.33	3.75	—	1.47	1.25

E-Z Clip System™

Fittings

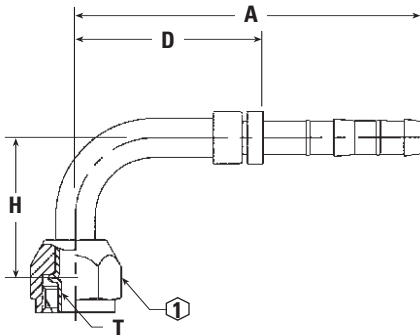
FJ5985



90° Elbow – Female O-ring (short pilot)

PART NUMBER	TH'D "T"	HOSE SIZE	A REF	D REF	F REF	H REF	① REF
FJ5985-0606S	5/8-18	6	3.32	1.79	—	1.38	0.75
FJ5985-0608S	5/8-18	8	3.33	1.79	—	1.38	0.75
FJ5985-0806S	3/4-16	6	3.86	2.33	—	1.62	0.88
FJ5985-0808S	3/4-16	8	3.77	2.23	—	1.62	0.88
FJ5985-0810S	3/4-16	10	3.78	2.23	—	1.62	0.88
FJ5985-1010S	7/8-14	10	4.22	2.67	—	1.89	1.06
FJ5985-1012S	7/8-14	12	4.24	2.67	—	1.89	1.06
FJ5985-1210S	1-1/16-14	10	4.76	3.31	—	2.56	1.25
FJ5985-1212S	1-1/16-14	12	4.74	3.16	—	2.56	1.25

FJ3288

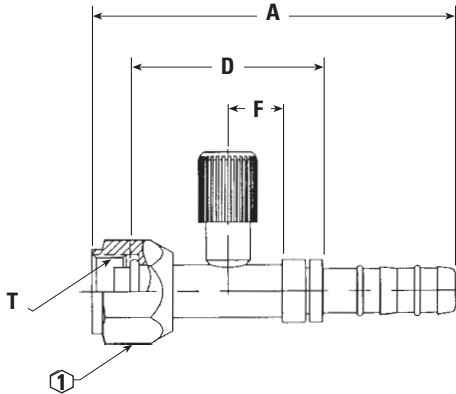


90° Female O-ring (long pilot)

PART NUMBER	TH'D "T"	HOSE SIZE	A REF	D REF	F REF	H REF	① REF
FJ3288-01-0606S	5/8-18	6	3.32	1.79	—	1.38	0.75
FJ3288-02-0808S	3/4-16	8	3.77	2.23	—	1.62	0.88
FJ3288-03-0806S	3/4-16	6	3.75	2.33	—	1.62	0.88
FJ3288-04-0810S*	3/4-16	10	3.78	2.23	—	1.62	0.88

*May not be available.

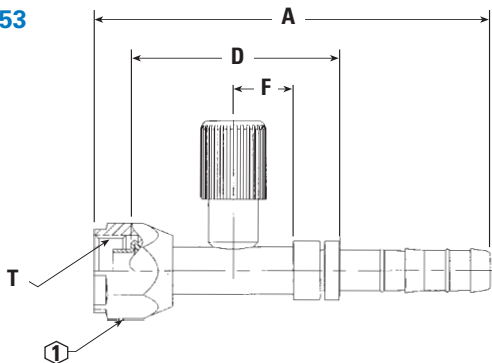
FJ3054



Straight – Female O-ring (short pilot) with R134a Low Side Port

PART NUMBER	TH'D "T"	HOSE SIZE	A REF	D REF	F REF	H REF	① REF
FJ3054-1010S	7/8-14	10	4.24	2.25	0.63	—	1.06
FJ3054-1012S	7/8-14	12	4.27	2.25	0.63	—	1.06
FJ3054-1212S	1-1/16-14	12	4.58	2.43	0.54	—	1.25

FJ3053



Straight – Female O-ring (short pilot) with R134a High Side Port

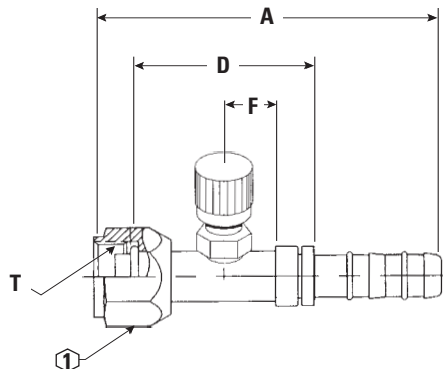
PART NUMBER	TH'D "T"	HOSE SIZE	A REF	D REF	F REF	H REF	① REF
FJ3053-0606S	5/8-18	6	3.91	2.10	0.63	—	0.75
FJ3053-0806S*	3/4-16	6	4.06	2.26	0.63	—	0.88
FJ3053-0808S	3/4-16	8	4.09	2.16	0.63	—	0.88
FJ3053-0810S	3/4-16	10	4.09	2.16	0.63	—	0.88

*May not be available.

E-Z Clip System™

Fittings

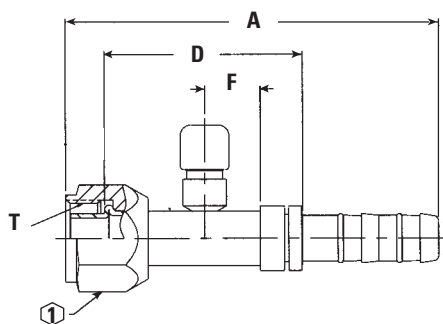
FJ3162



Straight – Female O-ring (long pilot) with Switch Port (7/16-20 thd)

PART NUMBER	TH'D "T"	HOSE SIZE	A REF	D REF	F REF	H REF	① REF
FJ3162-0808S	3/4-16	8	4.09	2.16	0.79	—	0.88
FJ3162-1010S	7/8-14	10	4.25	2.25	0.79	—	1.06
FJ3162-1012S	7/8-14	12	4.27	2.25	0.79	—	1.06
FJ3162-1212S	1-1/16-14	12	4.86	2.71	0.79	—	1.25

FJ3416

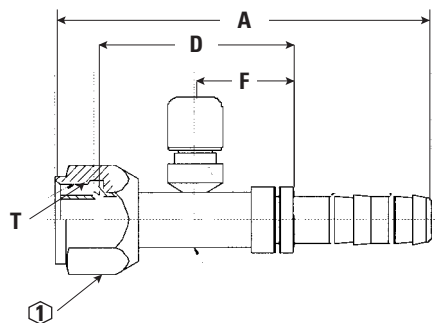


Straight – Female O-ring (long pilot) with Switch Port (M10 X 1.25)

PART NUMBER	TH'D "T"	HOSE SIZE	A REF	D REF	F REF	H REF	① REF
FJ3416-01-1010S	7/8-14	10	4.25	2.25	.63	—	1.06
FJ3416-02-0808S*	3/4-16	8	4.86	2.53	.79	—	1.06

*May not be available

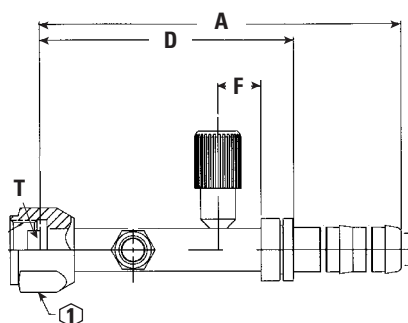
FJ3461



Straight – Female O-ring (long pilot) with Switch Port (M12 X 1.25)

PART NUMBER	TH'D "T"	HOSE SIZE	A REF	D REF	F REF	H REF	① REF
FJ3461-01-1010S	7/8-14	10	4.25	2.25	.63	—	1.06
FJ3461-02-1012S	7/8-14	12	4.27	2.25	.63	—	1.06
FJ3461-03-1212S	1-1/16-14	12	4.86	2.71	.54	—	1.25

FJ3363



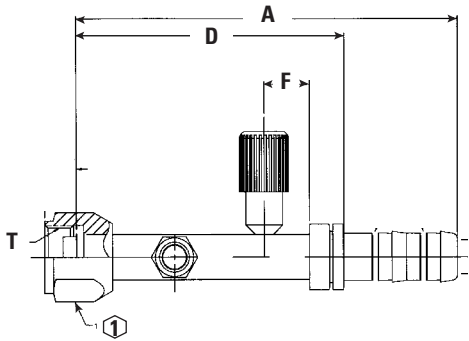
Straight – Female O-ring (short pilot), with R134a High side port and female switch connection, (1/8-27 thread)

PART NUMBER	TH'D "T"	HOSE SIZE	A REF	D REF	F REF	H REF	① REF
FJ3363-03-0808S	3/4-16	8	5.16	3.62	.63	—	.88
FJ3363-02-0810S	3/4-16	10	5.54	3.62	.63	—	.88

E-Z Clip System™

Fittings

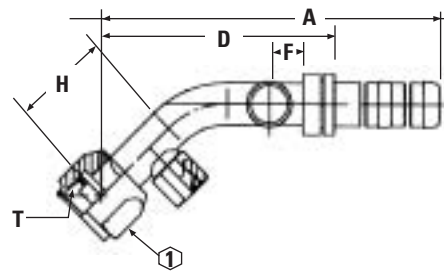
FJ3363



Straight – Female O-ring (short pilot), with R134a Low side port and female switch connection, (1/8-27 thread)

PART NUMBER	TH'D "T"	HOSE SIZE	A REF	D REF	F REF	H REF	① REF
FJ3363-01-1012S	7/8-14	12	5.30	3.72	.63	—	1.06

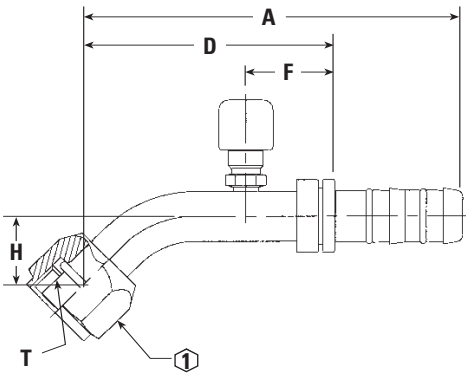
FJ3365



45° - Female O-ring (Short Pilot) with R134a Low Side Port

PART NUMBER	TH'D "T"	HOSE SIZE	A REF	D REF	F REF	H REF	① REF
FJ3365-01-1012S	7/8-14	12	5.09	3.51	.50	1.43	1.125

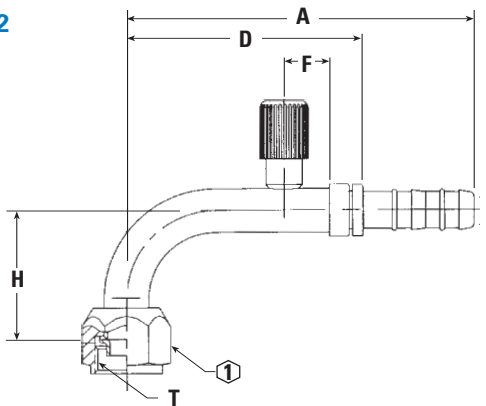
FJ3230



45° Female O-ring (long pilot) with Switch Port (7/16-20 thd)

PART NUMBER	TH'D "T"	HOSE SIZE	A REF	D REF	F REF	H REF	① REF
FJ3230-01-0810S	3/4-16	10	4.61	2.58	0.63	0.80	0.88
FJ3230-02-1012S	7/8-14	12	4.73	2.67	0.63	0.89	1.06
FJ3230-03-0808S	3/4-16	8	4.43	2.40	0.63	0.73	0.88
FJ3230-04-1010S	7/8-14	10	5.00	2.97	0.63	1.19	1.06

FJ3012



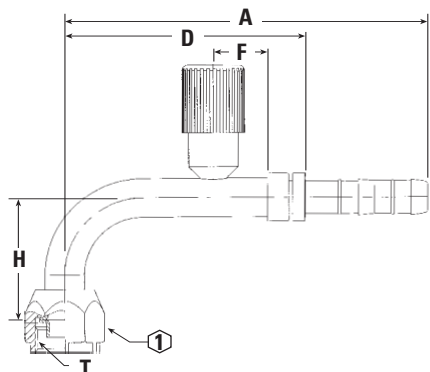
90° Female O-ring (short pilot) with R134a Low Side Port

PART NUMBER	TH'D "T"	HOSE SIZE	A REF	D REF	F REF	H REF	① REF
FJ3012-02-1010S	7/8-14	10	4.88	3.33	0.63	1.89	1.06
FJ3012-01-1012S	7/8-14	12	4.83	3.25	0.63	1.89	1.06
FJ3012-03-1212S	1-1/16-14	12	5.10	3.52	0.63	2.56	1.25

E-Z Clip System™

Fittings

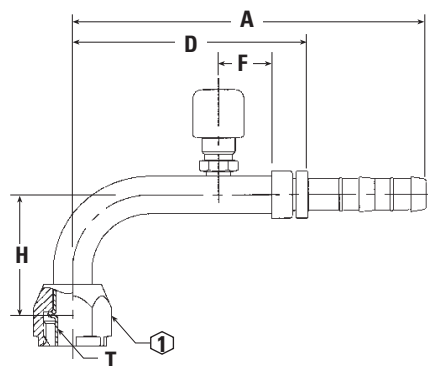
FJ3013



90° Female O-ring (short pilot) with R134a High Side Port

PART NUMBER	TH'D "T"	HOSE SIZE	A REF	D REF	F REF	H REF	① REF
FJ3013-02-0606S	5/8-18	6	4.35	2.82	0.63	1.38	0.75
FJ3013-03-0808S	3/4-16	8	4.61	3.07	0.69	1.62	0.88
FJ3013-01-0810S	3/4-16	10	4.53	2.98	0.69	1.62	0.88

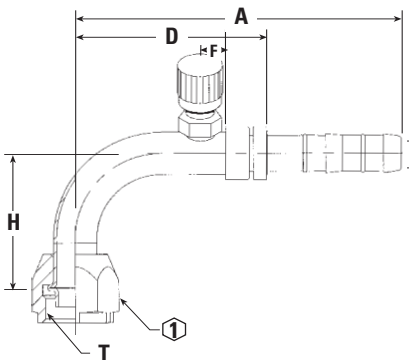
FJ3289



90° Female O-ring (long pilot) with Switch Port (7/16-20 thd)

PART NUMBER	TH'D "T"	HOSE SIZE	A REF	D REF	F REF	H REF	① REF
FJ3289-01-0808S	3/4-16	8	4.61	2.59	0.69	1.62	0.88
FJ3289-02-1010S	7/8-14	10	4.80	2.77	0.63	1.93	1.06
FJ3289-03-0606S	5/8-18	6	4.35	2.82	0.69	1.35	0.75
FJ3289-04-0810S	3/4-16	10	4.62	2.59	0.69	1.62	0.88
FJ3289-05-1012S	7/8-14	12	4.82	2.77	.63	1.93	1.06

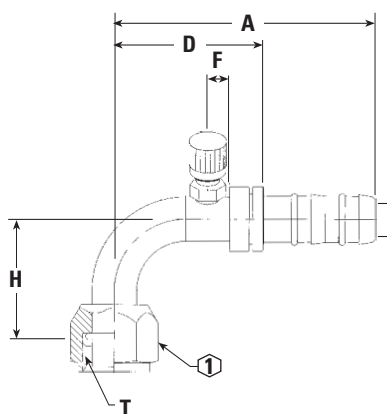
FJ3163



90° Elbow – Female O-ring (short pilot) with Switch Port (7/16-20 thd)

PART NUMBER	TH'D "T"	HOSE SIZE	A REF	D REF	F REF	H REF	① REF
FJ3163-01-1010S	7/8-14	10	4.80	3.25	0.79	1.89	1.06
FJ3163-02-1212S	1-1/16-14	12	5.08	3.50	0.79	2.56	1.25

FJ3047



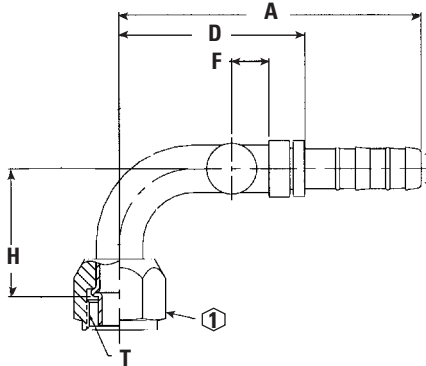
90° Female O-ring (long pilot) with Charge Port (7/16-20Thd) – 45° Port Rotation

PART NUMBER	TH'D "T"	HOSE SIZE	A REF	D REF	F REF	H REF	① REF
FJ3047-1012S	7/8-14	12	4.06	2.48	0.50	1.69	1.06

E-Z Clip System™

Fittings

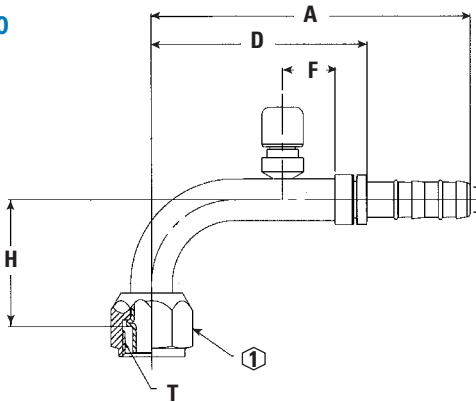
FJ3444



90° Female O-ring (long pilot) with Switch Port (7/16-20Thd) – 90° Port Rotation

PART NUMBER	TH'D "T"	HOSE SIZE	A REF	D REF	F REF	H REF	① REF
FJ3444-1010S	7/8-14	10	4.03	2.48	.50	1.69	1.06

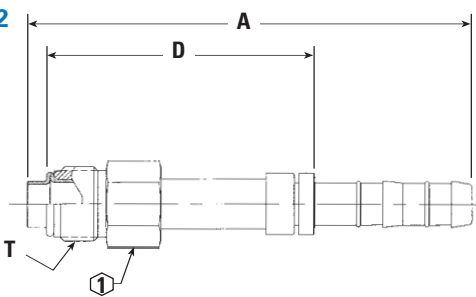
FJ3460



90° Female O-ring (long pilot) with Switchport (M12 X 1.25)

PART NUMBER	TH'D "T"	HOSE SIZE	A REF	D REF	F REF	H REF	① REF
FJ3460-01-1010S	7/8-14	10	4.80	3.25	0.79	1.89	1.06
FJ3460-01-1012S	7/8-14	12	4.83	3.25	0.79	1.89	1.06
FJ3460-03-1212S	1-1/16-14	12	5.08	3.50	.54	2.56	1.25

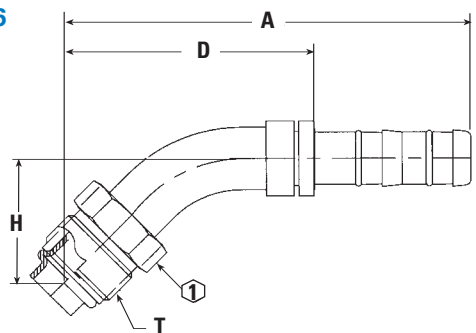
FJ3052



Straight Male O-ring (short pilot)

PART NUMBER	TH'D "T"	HOSE SIZE	A REF	D REF	F REF	H REF	① REF
FJ3052-0606S	5/8-18	6	3.41	1.70	—	—	0.62
FJ3052-0608S	5/8-18	8	3.43	1.70	—	—	0.62
FJ3052-0808S	3/4-18	8	4.37	2.64	—	—	0.75
FJ3052-1010S	7/8-18	10	3.66	1.92	—	—	0.88
FJ3052-1012S	7/8-18	12	3.68	1.92	—	—	0.88
FJ3052-1212S	1-1/16-16	12	3.68	1.92	—	—	1.06

FJ3116



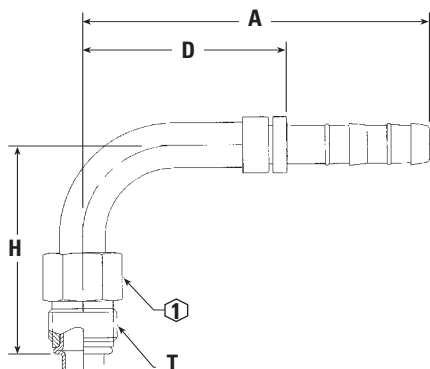
45° Male O-ring (short pilot)

PART NUMBER	TH'D "T"	HOSE SIZE	A REF	D REF	F REF	H REF	① REF
FJ3116-01-0606S	5/8-18	6	3.99	2.47	—	0.94	0.62
FJ3116-03-0808S	3/4-18	8	4.59	2.83	—	1.20	0.75
FJ3116-02-1010S	7/8-18	10	4.65	3.10	—	1.46	0.88
FJ3116-04-0608S	5/8-18	8	4.01	2.47	—	0.94	0.62

E-Z Clip System™

Fittings

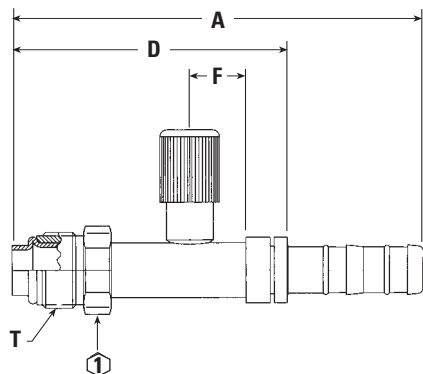
FJ3019



90° Male O-ring (short pilot)

PART NUMBER	TH'D "T"	HOSE SIZE	A REF	D REF	F REF	H REF	① REF
FJ3019-03-0606S	5/8-18	6	3.33	1.80	—	1.77	0.62
FJ3019-02-0608S	5/8-18	8	3.34	1.80	—	1.77	0.62
FJ3019-04-0808S	3/4-18	8	3.77	2.23	—	2.31	0.75
FJ3019-06-0810S	3/4-18	10	3.78	2.23	—	2.31	0.75
FJ3019-01-1012S	7/8-18	12	4.24	2.67	—	2.45	0.88
FJ3019-05-1212S	1-1/16-16	12	4.22	2.64	—	2.79	1.06
FJ3019-07-1010S	7/8-18	10	4.22	2.67	—	2.453	0.88

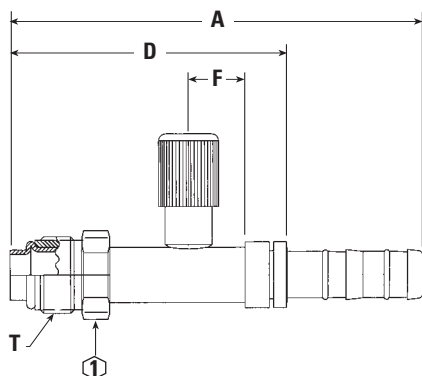
FJ3132



Straight Male O-ring (short pilot) with R134a Low Side Port

PART NUMBER	TH'D "T"	HOSE SIZE	A REF	D REF	F REF	H REF	① REF
FJ3132-01-1010S	7/8-18	10	4.43	2.70	0.63	—	0.88
FJ3132-02-1012S	7/8-18	12	4.46	2.70	0.63	—	0.88

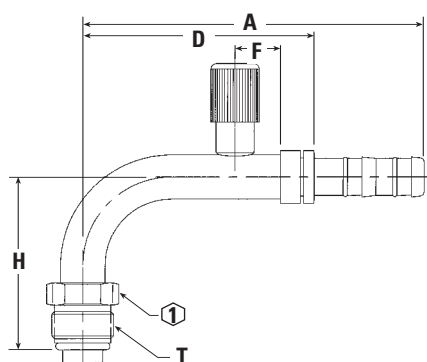
FJ3131



Straight Male O-ring (short pilot) with R134a High Side Port

PART NUMBER	TH'D "T"	HOSE SIZE	A REF	D REF	F REF	H REF	① REF
FJ3131-01-0606S	5/8-18	6	4.18	2.47	0.63	—	0.62
FJ3131-02-0808S	3/4-18	8	4.58	2.85	0.63	—	0.75
FJ3131-03-1010S	7/8-18	10	4.34	2.61	0.63	—	0.88

FJ3134



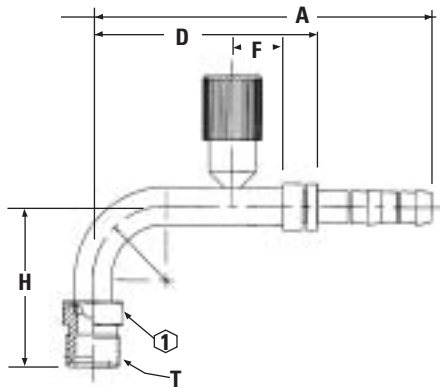
90° Elbow Male O-ring (short pilot) with R134a High Side Port

PART NUMBER	TH'D "T"	HOSE SIZE	A REF	D REF	F REF	H REF	① REF
FJ3134-01-0606S	5/8-18	6	4.34	2.82	0.63	1.75	0.62
FJ3134-02-0808S	3/4-18	8	4.61	3.07	0.63	2.31	0.75
FJ3134-03-1010S	7/8-18	10	4.81	3.25	0.63	2.34	0.88

E-Z Clip System™

Fittings

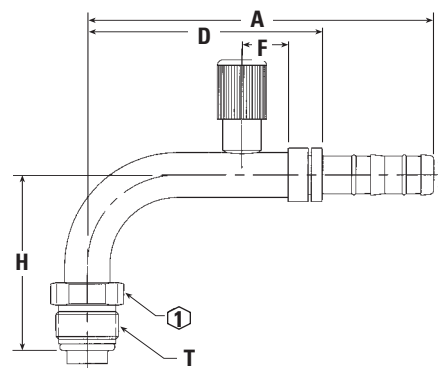
FJ3611



90° Male MIO with R134a High Side Port

PART NUMBER	TH'D "T"	HOSE SIZE	A REF	D REF	F REF	H REF	① REF
FJ3611-01-0808S	3/4-16	8	4.61	3.07	.69	2.17	0.813

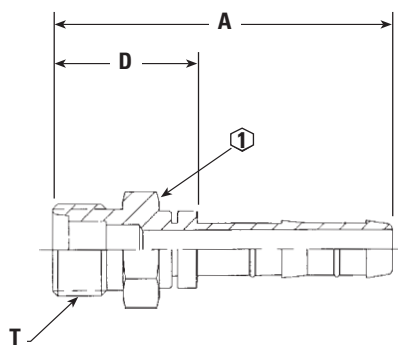
FJ3135



90° Elbow Male O-ring (short pilot) with R134a Low Side Port

PART NUMBER	TH'D "T"	HOSE SIZE	A REF	D REF	F REF	H REF	① REF
FJ3135-01-1010S	7/8-18	10	4.81	3.25	0.63	2.34	0.88
FJ3135-02-1012S	7/8-18	12	4.81	3.25	0.63	2.34	0.88

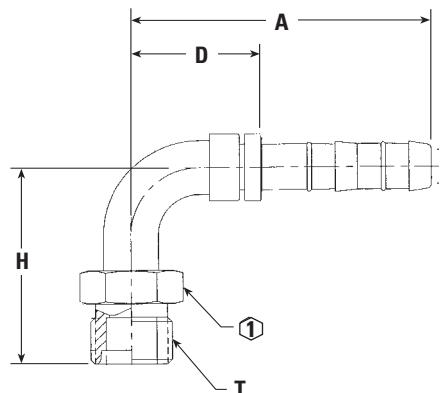
FJ3026



Male MIO (male insert O-ring) Straights

PART NUMBER	TH'D "T"	HOSE SIZE	A REF	D REF	F REF	H REF	① REF
FJ3026-0606S	5/8-18	6	3.36	1.83	—	—	0.690
FJ3026-0808S	3/4-16	8	2.69	1.15	—	—	0.810
FJ3026-1010S	7/8-14	10	2.90	1.35	—	—	0.940
FJ3026-1012S	7/8-14	12	4.11	2.50	—	—	0.940
FJ3026-1212S	1-1/16-14	12	4.29	2.71	—	—	1.125

FJ3056



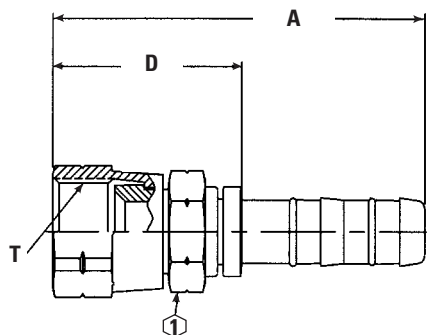
90° Male MIO - (male insert O-ring)

PART NUMBER	TH'D "T"	HOSE SIZE	A REF	D REF	F REF	H REF	① REF
FJ3056-01-0606S	5/8-18	6	2.50	0.98	—	1.44	0.69
FJ3056-02-0808S	3/4-16	8	2.74	1.20	—	1.82	0.81
FJ3056-03-1010S	7/8-14	10	3.09	1.54	—	2.13	0.94
FJ3056-04-0810S	3/4-16	10	2.75	1.20	—	1.82	0.81

E-Z Clip System™

Fittings

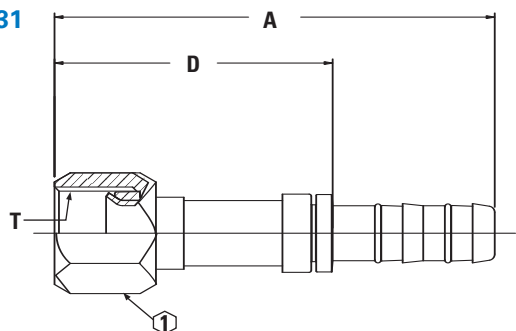
FJ3057



Female SAE 45° Flares

PART NUMBER	TH'D "T"	HOSE SIZE	A REF	D REF	F REF	H REF	① REF
FJ3057-01-0606S	5/8-18	6	2.88	1.35	—	—	0.56
FJ3057-02-0608S	5/8-18	8	3.14	1.62	—	—	0.75
FJ3057-03-0808S	3/4-16	8	2.96	1.42	—	—	0.69
FJ3057-04-0810S	3/4-16	10	3.56	2.02	—	—	0.88
FJ3057-05-1010S	7/8-14	10	3.63	2.08	—	—	1.00
FJ3057-06-1012S	7/8-14	12	3.66	2.08	—	—	1.00
FJ3057-07-1212S	1-1/16-14	12	3.20	1.62	—	—	1.25

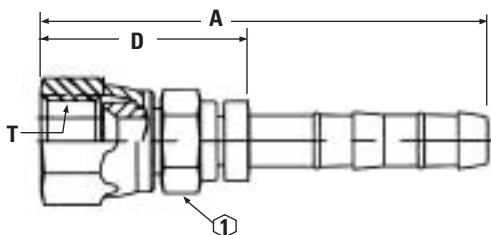
FJ3731



Straight - Female 37° Flare

PART NUMBER	TH'D "T"	HOSE SIZE	A REF	D REF	F REF	H REF	① REF
FJ3731-1010S	7/8-14	10	4.21	2.66	—	—	1

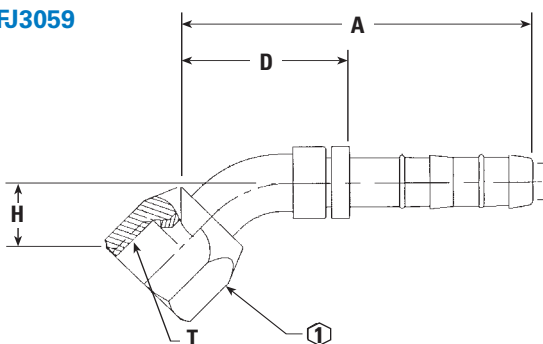
FJ3508



Straight - Female 37° Flare - Braze Design - Special Order Only

PART NUMBER	TH'D "T"	HOSE SIZE	A REF	D REF	F REF	H REF	① REF
FJ3508-0606S	9/16-18	6	2.85	1.32	—	—	0.563
FJ3508-0808S	3/4-16	8	2.96	1.42	—	—	0.688
FJ3508-1010S	7/8-14	10	3.15	1.59	—	—	0.875
FJ3508-1212S	1 1/16-12	12	3.2	1.62	—	—	1.25

FJ3059



45° Female SAE 45° and Universal Flares

PART NUMBER	TH'D "T"	HOSE SIZE	A REF	D REF	F REF	H REF	① REF
FJ3059-01-0606S†	5/8-18	6	2.61	1.08	—	0.39	0.75
FJ3059-02-0608S†	5/8-18	8	2.62	1.08	—	0.39	0.75
FJ3059-03-0808S*	3/4-16	8	2.97	1.43	—	0.55	0.88
FJ3059-04-0810S*	3/4-16	10	2.98	1.43	—	0.55	0.88
FJ3059-05-1010S*	7/8-14	10	3.08	1.53	—	0.63	1.00
FJ3059-06-1012S*	7/8-14	12	3.11	1.53	—	0.63	1.00

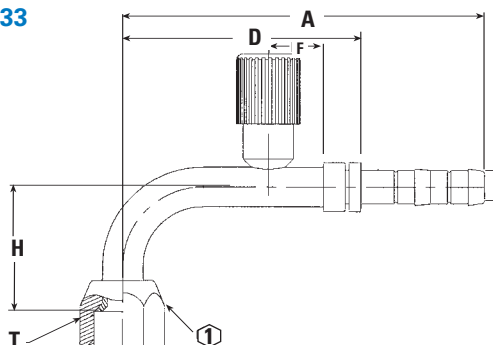
†Double notch in nut for universal type identification

*Universal Flare

E-Z Clip System™

Fittings

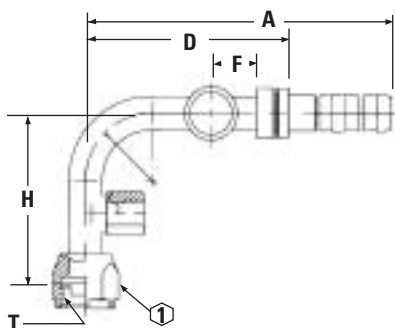
FJ3133



90° Female SAE 45° With High Side Charge Port (R134a)

PART NUMBER	TH'D "T"	HOSE SIZE	A REF	D REF	F REF	H REF	① REF
FJ3133-01-0606S	5/8-18	6	4.35	2.82	0.63	1.28	0.75
FJ3133-02-0808S	3/4-16	8	4.61	3.07	0.63	1.53	0.88
FJ3133-03-1010S	7/8-14	10	4.80	3.25	0.63	1.84	0.88

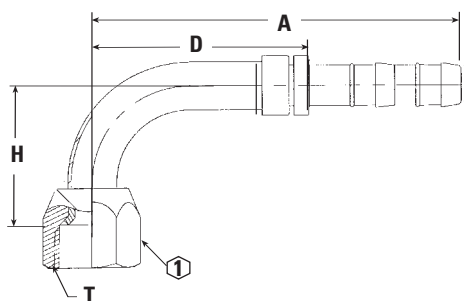
FJ3366



SAE 90° with R134a C/Port and Switch Port

PART NUMBER	TH'D "T"	HOSE SIZE	A REF	D REF	F REF	H REF	① REF
FJ3366-01-0810S	3/4-16	10	4.62	3.07	.69	2.53	0.875
FJ3366-02-0808S	3/4-16	8	4.61	3.07	.69	2.53	0.875

FJ3149



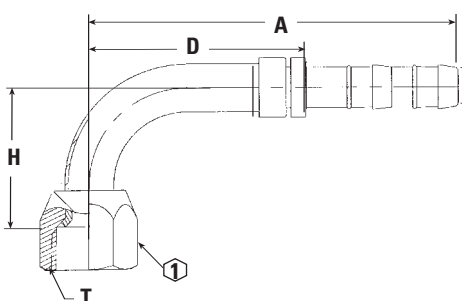
90° Female SAE 45° and Universal Flares

PART NUMBER	TH'D "T"	HOSE SIZE	A REF	D REF	F REF	H REF	① REF
FJ3149-01-0606S†	5/8-18	6	2.51	0.98	—	0.85	0.75
FJ3149-02-0608S†	5/8-18	8	2.52	0.98	—	0.85	0.75
FJ3149-03-0808S*	3/4-16	8	2.74	1.20	—	1.09	0.88
FJ3149-04-1010S*	7/8-14	10	3.09	1.54	—	1.19	1.00
FJ3149-05-1012S*	7/8-14	12	3.09	1.54	—	1.19	1.00
FJ3149-06-1212S†	1-1/16-14	12	3.68	2.11	—	1.80	1.25

†Double notch in nut for universal type identification

*Universal Flare

FJ3509



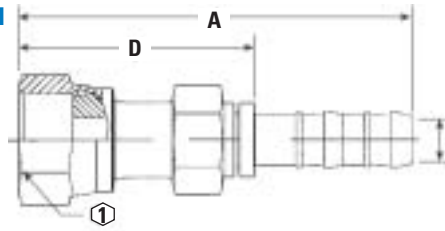
90° Female JIC

PART NUMBER	TH'D "T"	HOSE SIZE	A REF	D REF	F REF	H REF	① REF
FJ3509-0606S	9/16-18	6	2.50	.98	—	2.18	.69
FJ3509-0608S	9/16-18	8	2.52	.98	—	2.18	.69
FJ3509-1212S	1-1/16-12	12	3.36	1.78	—	3.73	1.25

E-Z Clip System™

Fittings

GA23911

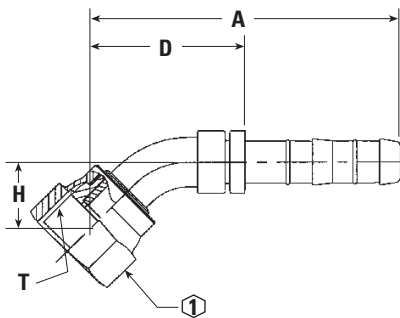


Straight – ORS Female Swivel Metric Hex Nut^Δ

PART NUMBER	TH'D "T"	HOSE SIZE	A REF	D REF	F REF	H REF	① REF
GA23911-6-6	1-1/16-16	6	2.95	1.43	—	—	22mm
GA23911-8-8	1-3/16-16	8	3.17	1.62	—	—	24mm
GA23911-10-12	1-14	12	3.32	1.74	—	—	30mm
GA23911-10-10	1-14	10	3.33	1.78	—	—	30mm
GA23911-12-12	1-3/16-12	12	3.38	1.80	—	—	36mm

ΔMetric Hex

FJ3161
GA23912

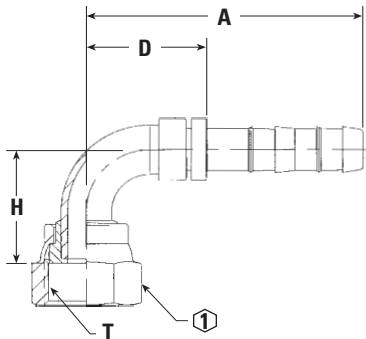


45° ORS Female Swivel

PART NUMBER	TH'D "T"	HOSE SIZE	A REF	D REF	F REF	H REF	① REF
FJ3161-01-0606S	11/16-16	6	2.65	1.12	—	0.44	0.81
GA23912-8-8*	13/16-16	8	3.02	1.47	—	0.59	29mm
GA23912-10-10*	1-14	10	3.22	1.67	—	0.70	30mm
GA23912-10-8*	1-14	8	3.50	1.96	—	0.68	30mm
GA23912-12-12*	1-3/16-12	12	4.23	2.65	—	0.83	36mm

Δ*Metric Hex

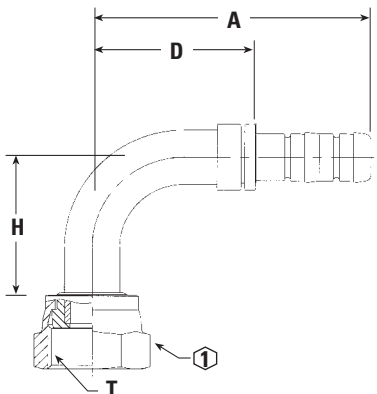
FJ5994



90° ORS Female Swivel

PART NUMBER	TH'D "T"	HOSE SIZE	A REF	D REF	F REF	H REF	① REF
FJ5994-01-0606S	1-1/16-16	6	2.50	0.98	—	0.91	0.81
FJ5994-02-0808S	13/16-16	8	2.74	1.20	—	1.15	0.94
FJ5994-04-1010S	1-14	10	3.09	1.53	—	1.27	1.12
FJ5994-03-1212S	1-3/16-12	12	3.36	1.78	—	1.90	1.38
FJ5994-05-0406S	9/16-18	6	2.44	0.92	—	0.82	0.69
FJ5994-05-1012S	1-14	12	3.11	1.53	—	1.78	1.13
FJ5994-07-0806S	13/16-16	6	2.66	1.10	—	1.15	0.94

FJ3319



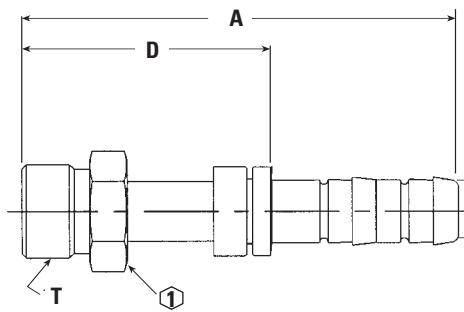
90° ORS Female Swivel (long drop)

PART NUMBER	TH'D "T"	HOSE SIZE	A REF	D REF	F REF	H REF	① REF
FJ3319-1212S	1-3/16-12	12	3.82	2.24	—	2.38	1.13

E-Z Clip System™

Fittings

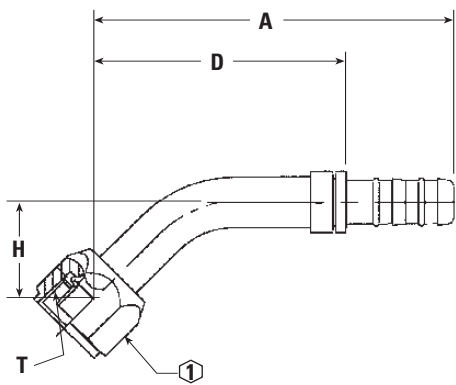
FJ3136



Straight Male O-ring (rigid) Metric Thread

PART NUMBER	TH'D "T"	HOSE SIZE	A REF	D REF	F REF	H REF	① REF
FJ3136-0810S	M20 x 1.5	10	3.62	2.07	0.69	—	0.88

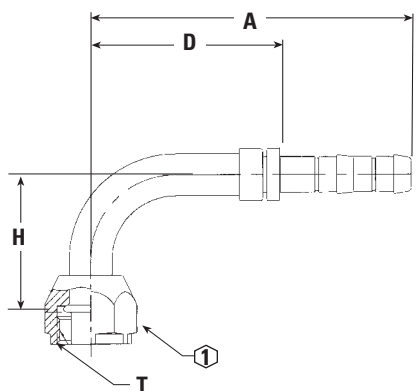
FJ3192



45° Female O-ring (long pilot, metric thread)

PART NUMBER	TH'D "T"	HOSE SIZE	A REF	D REF	F REF	H REF	① REF
FJ3192-02-1212S	M27x2	12	4.74	3.17	—	1.47	1.25

FJ3111
FJ3409

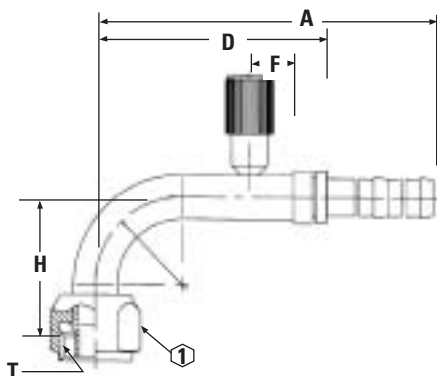


90° Female O-ring (long pilot) Metric Thread

PART NUMBER	TH'D "T"	HOSE SIZE	A REF	D REF	F REF	H REF	① REF
FJ3111-01-0808S	M20 x 1.5	8	3.77	2.23	—	1.62	0.94
FJ3111-02-0810S	M20 x 1.5	10	3.78	2.23	—	1.62	0.94
FJ3111-03-0806S*	M20 x 1.5	6	3.75	2.23	—	1.62	0.94
FJ3409-1212S	M27 x 2	12	4.74	3.16	—	2.56	1.25

*Non-Stock item

FJ3892



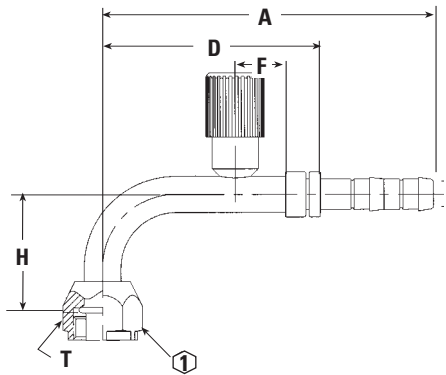
90° - Female O-ring (long pilot) with R134a Low Side Port (Metric Thread)

PART NUMBER	TH'D "T"	HOSE SIZE	A REF	D REF	F REF	H REF	① REF
FJ3892-01-1010S	M24 X 1.5	10	4.88	3.33	.63	1.89	1.125

E-Z Clip System™

Fittings

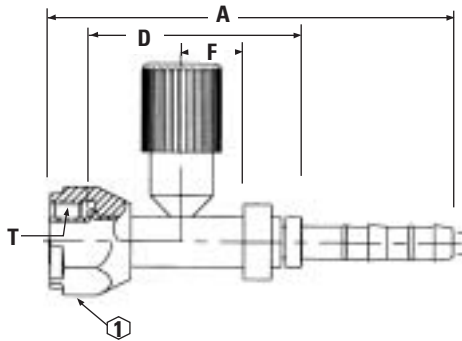
FJ3112



90° Female O-ring (long pilot) Metric Thread with High Side Charge Port (R134a)

PART NUMBER	TH'D "T"	HOSE SIZE	A REF	D REF	F REF	H REF	① REF
FJ3112-01-0808S	M20 x 1.5	8	4.52	2.98	0.69	1.62	0.94
FJ3112-02-0810S	M20 x 1.5	10	4.53	2.98	0.69	1.62	0.94
FJ3112-03-0806S	M20 x 1.5	8	4.50	2.98	0.69	1.62	0.94

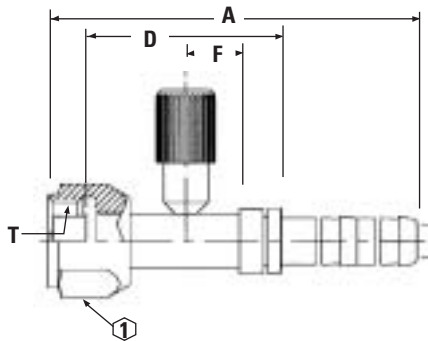
FJ3890



Straight - Female O-ring (long pilot) with R134a High Side Port (Metric Thread)

PART NUMBER	TH'D "T"	HOSE SIZE	A REF	D REF	F REF	H REF	① REF
FJ3890-01-0806S	M20 X 1.5	6	4.06	2.16	.63		0.94

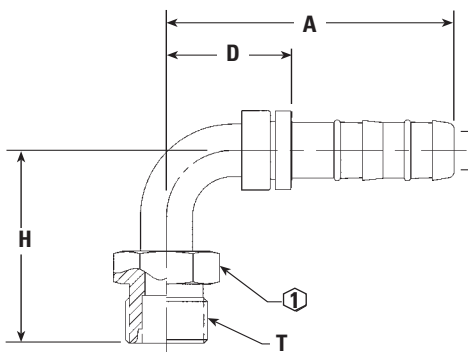
FJ3891



Straight - Female O-ring (long pilot) with R134a Low Side Port (Metric Thread)

PART NUMBER	TH'D "T"	HOSE SIZE	A REF	D REF	F REF	H REF	① REF
FJ3891-01-1010S	M24 X 1.5	10	4.24	2.25	.62		1.125

FJ3113



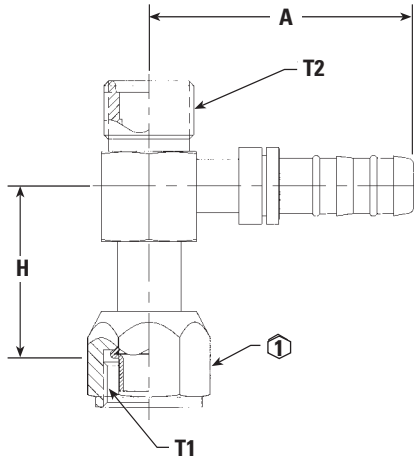
90° Male O-ring (rigid) Metric Thread

PART NUMBER	TH'D "T"	HOSE SIZE	A REF	D REF	F REF	H REF	① REF
FJ3113-0810S	M20 x 1.5	8	2.75	1.20	—	1.82	0.88

E-Z Clip System™

Fittings

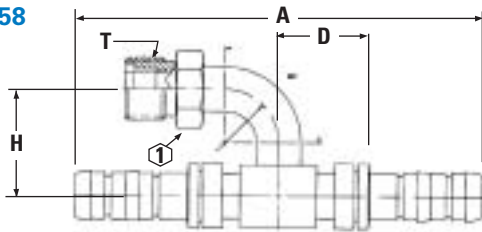
**FJ3067
FJ3495**



GM Tie In – Metric Tee

PART NUMBER	TH'D "T"	HOSE SIZE	A REF	D REF	F REF	H REF	① REF
FJ3067-1212S	M27 x 2	12	3.12	—	—	2.02	1.25
FJ3495-0808S	M20 x 1.5	8	2.71	—	—	1.68	0.94

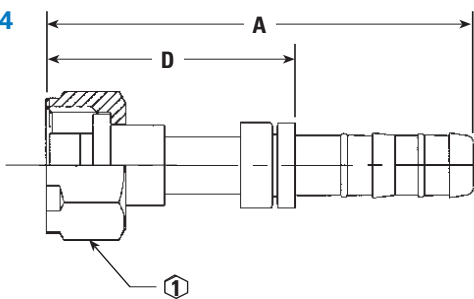
EJ3158



Tee Style Fitting with Male O-ring Connection

PART NUMBER	TH'D "T"	HOSE SIZE	A REF	D REF	F REF	H REF	① REF
EJ3158-101212S	7/8-14	12	5.67	1.26	—	1.49	0.94

FJ3274

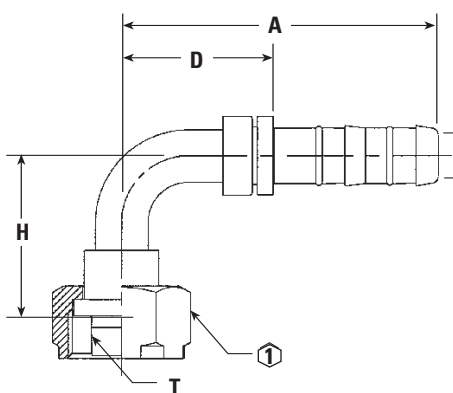


Straight – Female RotaLok

PART NUMBER	TH'D "T"	HOSE SIZE	A REF	D REF	F REF	H REF	① REF
FJ3274-1010S	1-14	10	3.69	2.14	—	—	1.13
FJ3274-1012S*	1-14	12	3.75	2.14	—	—	1.13

*May not be available

FJ3225



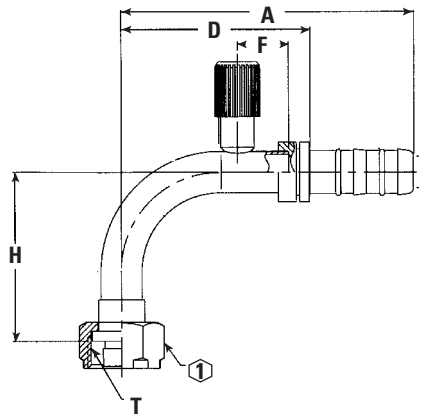
90° Female RotaLok

PART NUMBER	TH'D "T"	HOSE SIZE	A REF	D REF	F REF	H REF	① REF
FJ3225-1010S	1-14	10	2.98	1.43	—	1.52	1.13

E-Z Clip System™

Fittings

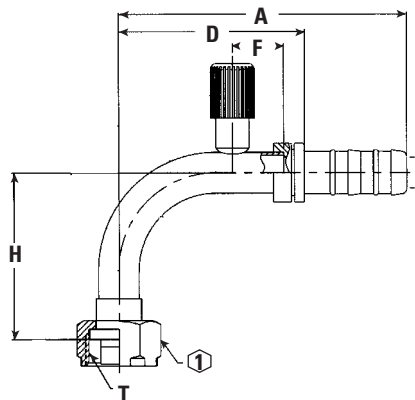
FJ3510



90° Female Rotalok with R134a Low Side Port

PART NUMBER	TH'D "T"	HOSE SIZE	A REF	D REF	F REF	H REF	① REF
FJ3510-1012S	1-14	12	4.48	2.88	.79	2.58	1.13

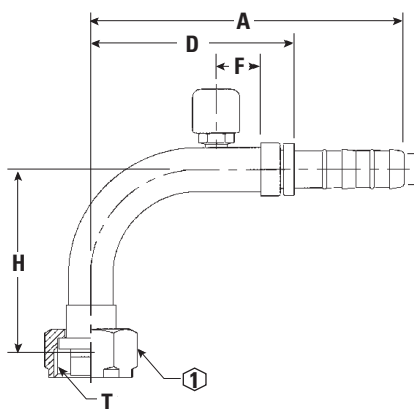
FJ3511



90° Female Rotalok with R134a High Side Port

PART NUMBER	TH'D "T"	HOSE SIZE	A REF	D REF	F REF	H REF	① REF
FJ3511-1010S	1-14	10	4.43	2.88	.79	2.58	1.13

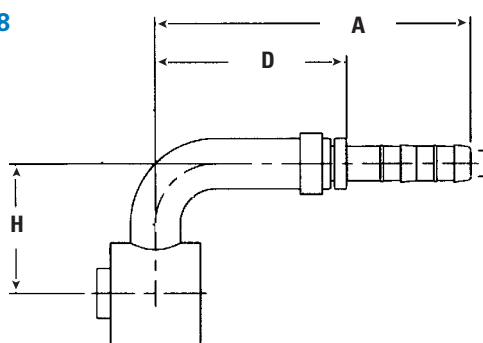
FJ3226



90° Female Rotalok with Switch Port (7/16-20 thread)

PART NUMBER	TH'D "T"	HOSE SIZE	A REF	D REF	F REF	H REF	① REF
FJ3226-1010S	1-14	10	4.43	2.88	0.63	2.56	1.13

FJ3568



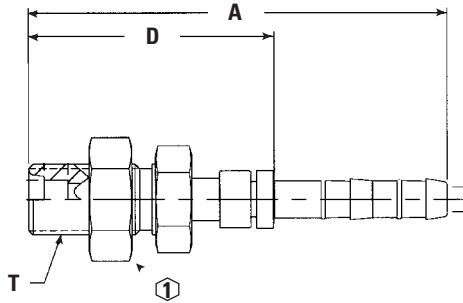
90° GM Block Style

PART NUMBER	TH'D "T"	HOSE SIZE	A REF	D REF	F REF	H REF	① REF
FJ3568-1008S	—	8	3.92	2.38	—	1.60	—
FJ3568-1010S	—	10	3.83	2.28	—	2.31	—
FJ3568-1012S	—	12	3.86	2.28	—	2.38	—

E-Z Clip System™

Fittings

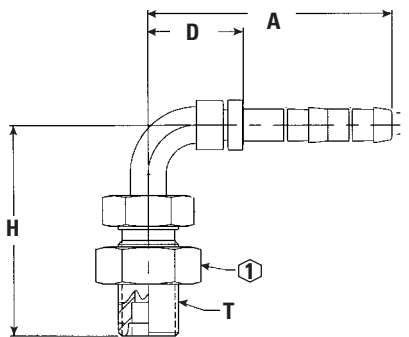
FJ3513



Straight Bulkhead

PART NUMBER	TH'D "T"	HOSE SIZE	A REF	D REF	F REF	H REF	① REF
FJ3513-0606S	5/8-18	6	3.69	2.16	—	—	.94
FJ3513-0808S	3/4-16	8	3.93	2.39	—	—	1.0
FJ3513-1010S	7/8-14	10	4.49	2.94	—	—	1.13
FJ3513-1212S	1 1/16-14	12	4.45	2.87	—	—	1.375

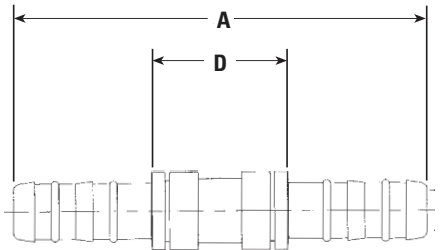
FJ3514



90° Male Bulkhead

PART NUMBER	TH'D "T"	HOSE SIZE	A REF	D REF	F REF	H REF	① REF
FJ3514-0606S	5/8-18	6	2.50	.98	—	2.15	.94
FJ3514-0808S	3/4-16	8	2.74	1.20	—	2.61	1.0
FJ3514-1010S	7/8-14	10	3.08	1.53	—	3.26	1.13
FJ3514-1012S	7/8-14	12	3.11	1.53	—	3.26	1.13
FJ3514-1212S	1-1/16-14	12	3.69	2.11	—	3.78	1.38

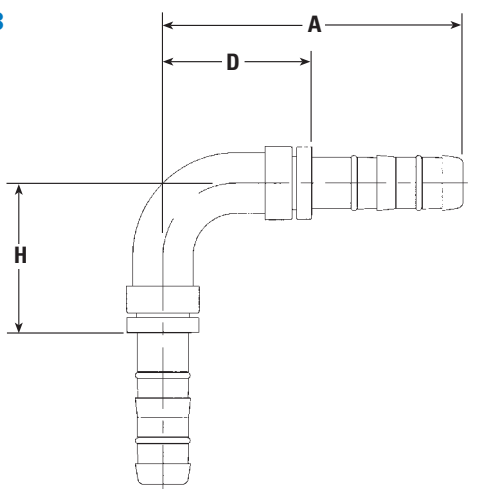
FJ3045



Straight Splicer

PART NUMBER	TH'D "T"	HOSE SIZE	A REF	D REF	F REF	H REF	① REF
FJ3045-0606S	—	6	4.63	1.58	—	—	—
FJ3045-0808S	—	8	4.76	1.68	—	—	—
FJ3045-1010S	—	10	5.68	2.58	—	—	—
FJ3045-1212S	—	12	4.72	1.57	—	—	—
FJ3045-1008S	—	10, 8	5.78	2.69	—	—	—

FJ3058



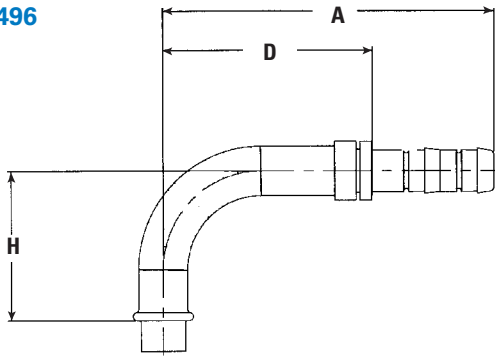
90° Splicer

PART NUMBER	TH'D "T"	HOSE SIZE	A REF	D REF	F REF	H REF	① REF
FJ3058-01-0606S	—	6	2.71	1.18	—	2.71	—
FJ3058-02-0808S	—	8	2.98	1.43	—	2.98	—
FJ3058-03-1010S	—	10	3.08	1.53	—	3.08	—
FJ3058-04-1212S	—	12	3.68	2.11	—	3.68	—

E-Z Clip System™

Fittings

FJ3496

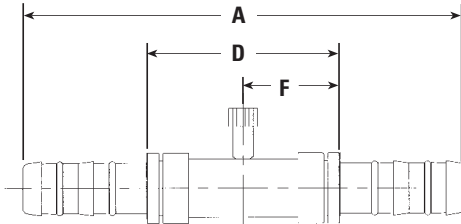


90° Pilot Connection (long pilot)

PART NUMBER	TH'D "T"	HOSE SIZE	A REF	D REF	F REF	H REF	① REF
FJ3496-01-1010S	—	10	4.22	2.67	—	1.89	—

* Consult applications engineer for additional sizes.

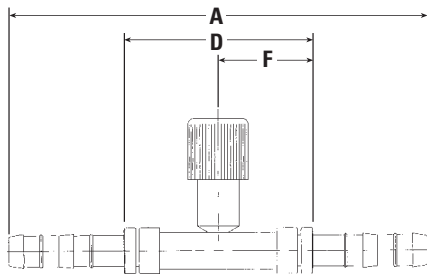
FJ3171



Splicer with SwitchPort 7/16-20Thd

PART NUMBER	TH'D "T"	HOSE SIZE	A REF	D REF	F REF	H REF	① REF
FJ3171-0606S	—	6	5.41	2.36	1.18	—	—
FJ3171-0808S	—	8	5.61	2.52	1.26	—	—
FJ3171-1010S	—	10	5.54	2.44	1.22	—	—
FJ3171-1212S	—	12	5.60	2.44	1.22	—	—

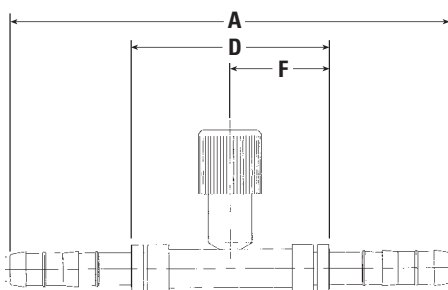
FJ5995



Splicer with High Side R134a Port

PART NUMBER	TH'D "T"	HOSE SIZE	A REF	D REF	F REF	H REF	① REF
FJ5995-0606S	—	6	5.41	2.36	1.18	—	—
FJ5995-0808S	—	8	5.61	2.52	1.26	—	—
FJ5995-1010S	—	10	5.62	2.52	1.26	—	—
FJ5995-1212S	—	12	5.67	2.52	1.26	—	—

FJ5986



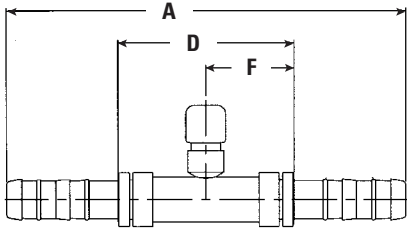
Splicer with R134a Low Side Port

PART NUMBER	TH'D "T"	HOSE SIZE	A REF	D REF	F REF	H REF	① REF
FJ5986-1010S	—	10	5.54	2.44	1.22	—	—
FJ5986-1212S	—	12	5.60	2.44	1.22	—	—

E-Z Clip System™

Fittings

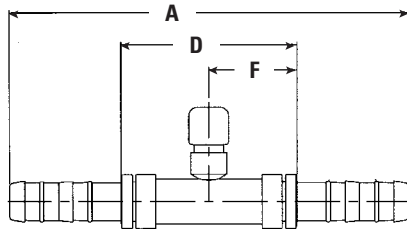
FJ3427



Splicer with High Side Switch Port (M10 X 1.25)

PART NUMBER	TH'D "T"	HOSE SIZE	A REF	D REF	F REF	H REF	① REF
FJ3427-0808S	—	8	5.61	2.52	1.26	—	—
FJ3427-1010S	—	10	5.54	2.44	1.22	—	—

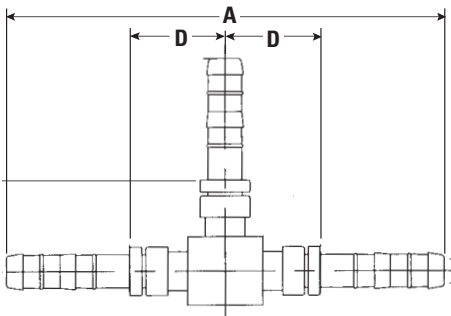
FJ3428



Splicer with Low Side Switch Port (M12 X 1.25)

PART NUMBER	TH'D "T"	HOSE SIZE	A REF	D REF	F REF	H REF	① REF
FJ3428-1212S	—	12	5.59	2.44	1.22	—	—

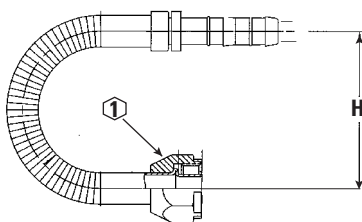
FJ3066



"T" Splicer – 3 Hose Connector

PART NUMBER	TH'D "T"	HOSE SIZE	A REF	D REF	F REF	H REF	① REF
FJ3066-0808S	—	8	5.48	2.40	—	—	—
FJ3066-1010S	—	10	5.62	2.52	—	—	—
FJ3066-1212S	—	12	5.67	2.52	—	—	—
FJ3066-101212S	—	10x12x12	5.67	2.52	—	—	—
FJ3066-060808S	—	6 x 8 x 8	5.48	2.40	—	—	—

FJ3623



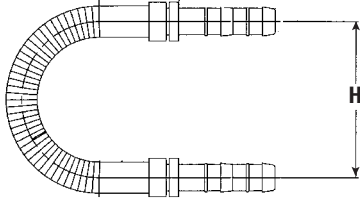
180° Female O-ring Pilot

PART NUMBER	TH'D "T"	HOSE SIZE	A REF	D REF	F REF	H REF	① REF
FJ3623-0808S	M20 x 1.5	8	—	—	—	2.50	.94

E-Z Clip System™

Fittings

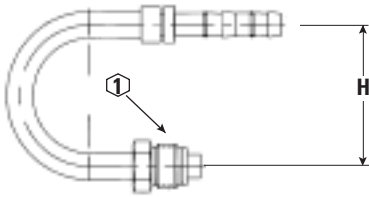
FJ3624



180° Splicer

PART NUMBER	TH'D "T"	HOSE SIZE	A REF	D REF	F REF	H REF	① REF
FJ3624-0808S	—	8	—	—	—	2.50	—

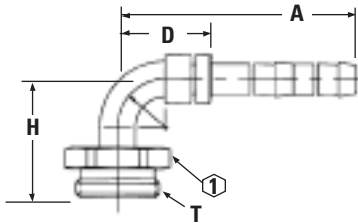
FJ3804



180° Male O-ring

PART NUMBER	TH'D "T"	HOSE SIZE	A REF	D REF	F REF	H REF	① REF
FJ3804-0606S	5/8-18	6	—	—	—	2.00	.625

FJ3914



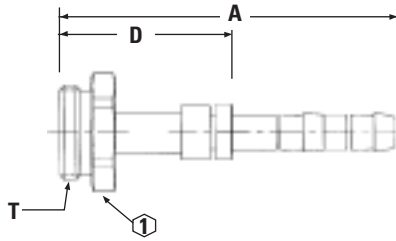
90° 5400 Coupling Thread

PART NUMBER	TH'D "T"	HOSE SIZE	A REF	D REF	F REF	H REF	① REF
FJ3914-03-1210S	1 1/4-18	10	3.08	1.53	—	1.73	1.375
FJ3914-04-0806S	7/8-20	6	2.5	0.98	—	1.23	1.000

E-Z Clip System™

Fittings

FJ3970



Straight 5400 Coupling Thread

PART NUMBER	TH'D "T"	HOSE SIZE	A REF	D REF	F REF	H REF	① REF
FJ3970-0606S	7/8-20	6	3.14	1.82	—	—	1.000

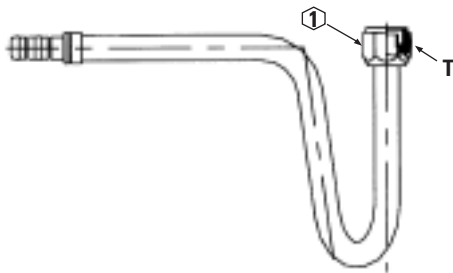
FJ3734



Female O-ring (Long Pilot) Compound Tube

PART NUMBER	TH'D "T"	HOSE SIZE	A REF	D REF	F REF	H REF	① REF
FJ3734-1212S	1 1/16-14	12	—	—	—	—	1.25

FJ3801



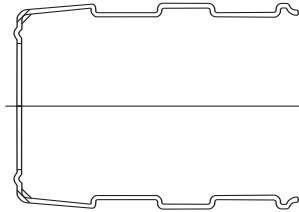
Female O-ring (Long Pilot) Compound Tube

PART NUMBER	TH'D "T"	HOSE SIZE	A REF	D REF	F REF	H REF	① REF
FJ3801-1212S	1 1/16-14	12	—	—	—	—	1.25

E-Z Clip System™

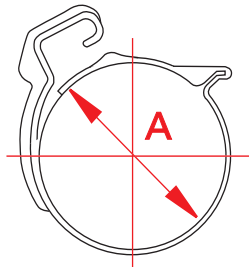
Cages, Clips and Lifesavers

Cages / Fitting to Hose Attachment



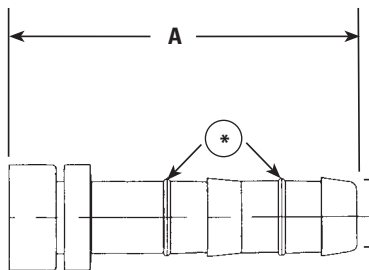
PART NUMBER	CAGE SIZE	HOSE DESCRIPTION
1F40105-04C	-04	Cages for size -04 hose
1F40105-06C	-06	Cages for size -06 hose
1F40105-08C	-08	Cages for size -08 hose
1F40105-10C	-10	Cages for size -10 hose
1F40105-12C	-12	Cages for size -12 hose

Clips Hose / Cage Connection



PART NUMBER	A REF	DESCRIPTION
1F40104-04C	14 mm	Clips for size -04 hose
1F40104-06C	18 mm	Clips for size -06 hose
1F40104-08C	20.5 mm	Clips for size -08 hose
1F40104-10C	23 mm	Clips for size -10 hose
1F40104-12C	27.5 mm	Clips for size -12 hose

Lifesaver Braze Nipple



PART NUMBER	TH'D "T"	HOSE SIZE	A REF
FF12262-0606S	—	6	2.01
FF12262-0608S	—	8	2.02
FF12262-0808S	—	8	2.02
FF12262-0810S	—	10	2.03
FF12262-1010S	—	10	2.03
FF12262-1012S	—	12	2.06
FF12262-1212S	—	12	2.11

*O-rings packaged separately

E-Z Clip System™

E-Z Clip Size 4**

Refrigeration/air conditioning SAE J2064 Type E Class 1, Multi-refrigerant



PART NUMBER	HOSE I.D. INCHES	HOSE O.D. INCHES	MAXIMUM OPERATING PRESSURE PSI	MINIMUM BURST PRESSURE PSI	MINIMUM BEND RADIUS INCHES	VACUUM *SERVICE* INCH/HG	WEIGHT PER FOOT POUNDS
	MM/INCHES	MM/INCHES	BAR	BAR	MM/INCHES	INCHES	POUNDS
FC505-04	5.08/.20	11.2/.44	500	2500	38.0/1.50	29.5	07

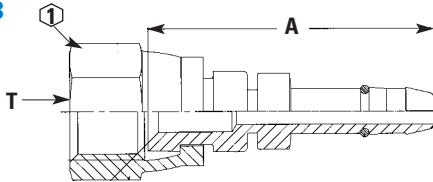
Construction: Nylon veneer tube, stabilized synthetic braided reinforcement and chlorobutyl rubber cover.

Application: Transportation refrigeration and air conditioning systems using R-134a, R-12, R-22 or R-502 (contact Eaton for additional refrigerants).

Operating Temperature Range: -40°F to +275°F (-40°C to +135°C).

*All sizes will withstand full negative pressure for charging purposes.

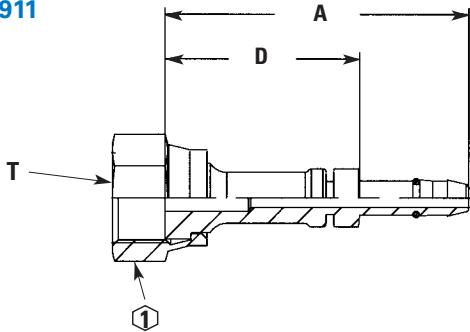
GA24048



Straight Female SAE Flare

PART NUMBER	TH'D "T"	HOSE SIZE	A REF	D REF	F REF	H REF	① REF
GA24048-4-4	7/16	4	1.34	—	—	—	14mm

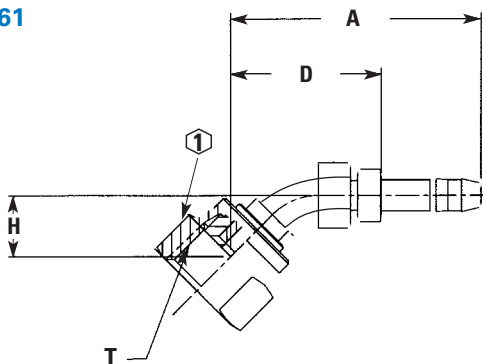
GA23911



Straight Female ORS

PART NUMBER	TH'D "T"	HOSE SIZE	A REF	D REF	F REF	H REF	① REF
GA23911-4-4	9/16-18	4	1.86	1.19	—	—	17mm

FJ3161



45° Female ORS

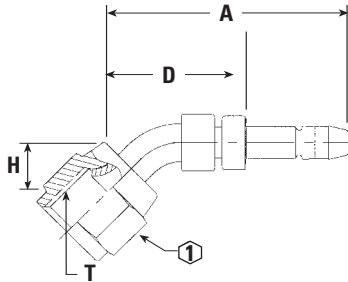
PART NUMBER	TH'D "T"	HOSE SIZE	A REF	D REF	F REF	H REF	① REF
FJ3161-05-0404S	9/16-18	4	1.68	1.01	—	.41	.69

**FC505 is qualified for the EZ Clip System in size 4 only.

E-Z Clip System™

E-Z Clip Size 4**

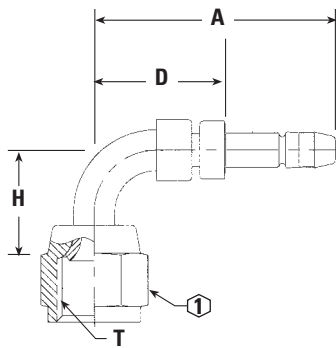
FJ3059



45° Universal Swivel (SAE 37° or 45°)

PART NUMBER	TH'D "T"	HOSE SIZE	A REF	D REF	F REF	H REF	① REF
FJ3059-0404S	7/16-20	4	1.57	0.91	—	0.33	0.56

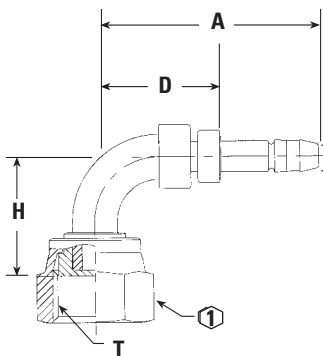
FJ3149



90° Universal Swivel (SAE 37° or 45°)

PART NUMBER	TH'D "T"	HOSE SIZE	A REF	D REF	F REF	H REF	① REF
FJ3149-0404S	7/16-20	4	2.47	0.8	—	0.68	0.56

GA23913



90° ORS Swivel

PART NUMBER	TH'D "T"	HOSE SIZE	A REF	D REF	F REF	H REF	① REF
GA23913-4-4	9/16-18	4	1.79	1.12	—	0.82	17mm

**FC505 is qualified for the EZ Clip System in size 4 only.

E-Z Clip System™

Assembly Tools

Pliers / Connecting Tool



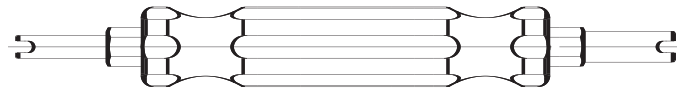
PART NUMBER	DESCRIPTION
FT1357	Connecting Tool

Hose Cutter



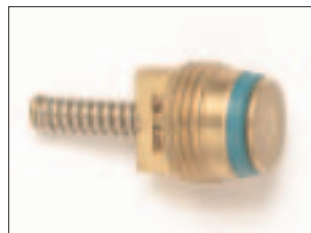
PART NUMBER	DESCRIPTION
FT1356	Hose Cutter
FT1356-2-1	Replacement Blade

Core Tool

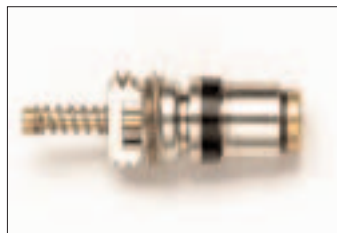


PART NUMBER	DESCRIPTION
42-05-100	Core Tool
FF90192-02	High Side Core*
FF90192-01	Low Side Core*
FF90193-02	High Side Cap
FF90193-01	Low Side Cap
FF9872-04	Cap for 7/16-20 Thd. port

*For Aeroquip high flow charge ports only.



FF90192-02



FF90192-01



FF90193-02, FF90193-01



FF9872-04

E-Z Clip Components

Ordering & Identifying



The E-Z Clip System is designed for assembly with Aeroquip GH134 Multi-Refrigerant hose. Its engineered connection exceeds SAE J2064 and has been vibration and impulse tested.

The benefits of E-Z Clip are virtually endless:

- No guess work
- No leaking crimps
- No power supply needed
- As easy to use as a pair of pliers
- Easy to use in confined areas

Assembly Materials Checklist

- Pliers (FT1357)
- Guillotine blade (FT1356) or equivalent cutting tool
- Refrigerant oil compatible with refrigeration or A/C system
- GH134 Multi-Refrigerant hose
- Nipple assembly*
- Appropriately sized clips and cage

*NOTE:

The two black O-rings on the nipple assembly are of a specific rubber compound and size. They should NOT be removed or replaced.



E-Z Clip System Components Are Simple to Identify, Order and Use

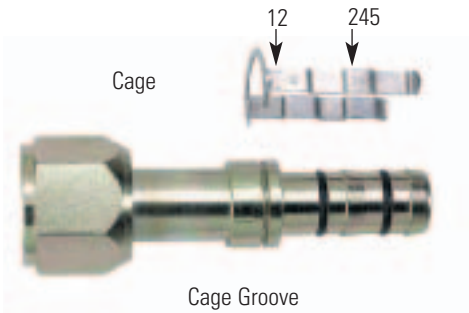
ORDERING INFORMATION

Hose	Nipple	Cage	Clips
GH134-6	FJ__ - __06S	1F40105-06C	1F40104-06C
GH134-8	FJ__ - __08S	1F40105-08C	1F40104-08C
GH134-10	FJ__ - __10S	1F40105-10C	1F40104-10C
GH134-12	FJ__ - __12S	1F40105-12C	1F40104-12C

IDENTIFICATION GUIDE

Hose	Cage	Clips	Nipple O-Ring (HNBR)
GH134-6	-6 and 150	150	1F40106-06
GH134-8	-8 and 175	175	1F40106-08
GH134-10	-10 and 200	200	1F40106-10
GH134-12	-12 and 245	245	1F40106-12

For Example...



E-Z Clip System™

Assembly Instructions

Step 1. Cut the Hose

Cut the hose to proper length with an appropriate cutting tool. Aeroquip's hand-held hose cutter (FT1356) has been specially designed for cutting all non-wire reinforced hose, such as GH134 Multi-Refrigerant hose. Be sure the cut is made square to the hose length.



Step 2. Slip on Two Clips

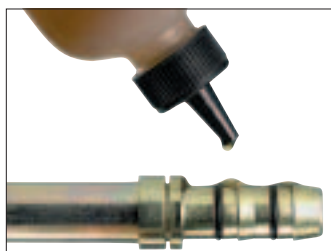
Install two proper-sized clips onto the cut end of the hose. Orientation of the clips does not affect the performance of the connection. However, for ease of assembly, both clips should have the same orientation.

NOTE: Failure to slide the clips over the hose at this time will require the clips to be stretched over the hose or fitting later. This may permanently damage the clip.



Step 3. Oil the Nipple

Lubricate the nipple with a generous amount of the refrigeration or A/C system's compressor lubricating oil. This MUST be done to lower the force of nipple insertion.



Step 4. Insert the Nipple into the Hose

Insert the nipple into the hose. To ensure that the nipple is fully inserted, check the gap between the cut end of the hose and the shoulder on the nipple. Care should be taken to avoid kinking or other damage to the hose during nipple insertion.

NOTE: Be sure to wipe excess oil from the nipple and hose.



Step 5. Snap on the Cage

Snap the cage into the groove on the nipple. The arms should extend over the hose length. When the cage has been correctly installed in the cage groove, the cage will be able to rotate in the groove. This step MUST be performed to ensure:

1. The clips will be located over the O-rings on the nipple.
2. The connection will be compatible with the connection's pressure rating.



E-Z Clip System™

Assembly Instructions (cont.)

Step 6: Slide the Clips

Slide the clips over the cage arms and into the channels on each arm.

Step 7: Close the Clips

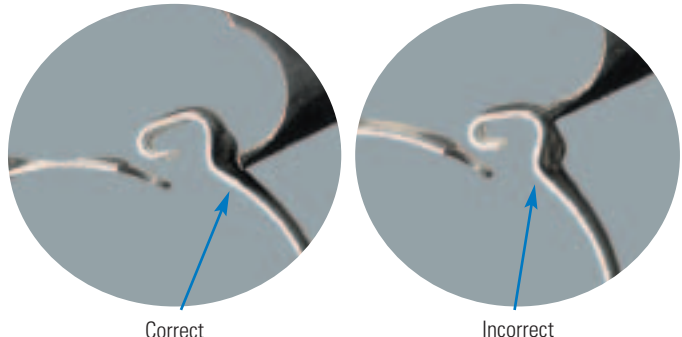
Use the FT1357 pliers to close the clips. The pliers should be positioned squarely on the clip connection points and should remain square during the closing of the clip.

Nose of the pliers should be firmly seated under the assembly bump and lock latch.

If the pliers are not kept square during closing of the clip, the clasp may have an offset. Use the pliers to correct the clasp alignment.

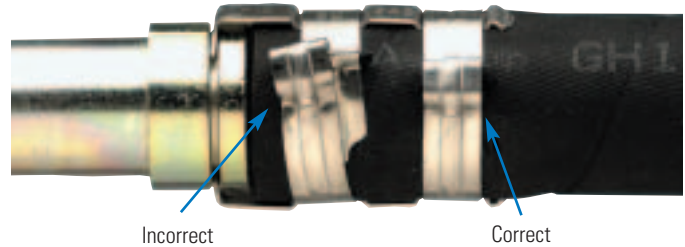


For easiest assembly, the clasp should be closed between the cage arms.



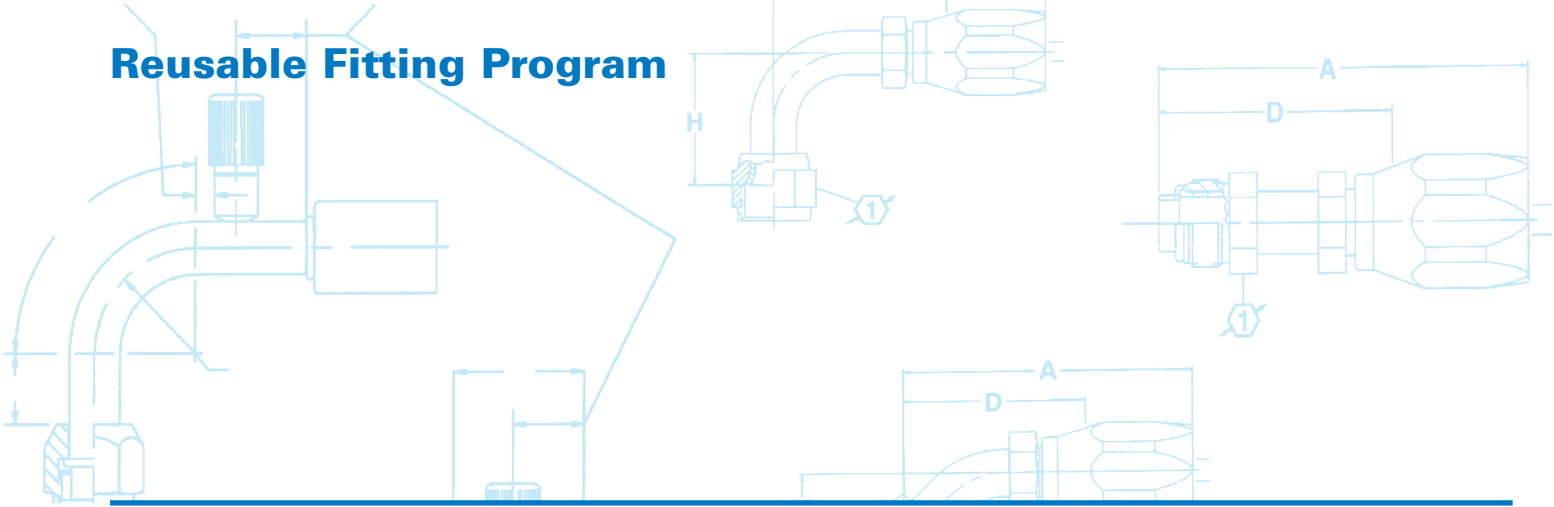
Notice

E-Z Clip components should not be reused. For recommendations on cleaning and routing hose assemblies, please consult Aeroquip Assembly Bulletin JA776.



CAUTION: Failure to follow these assembly instructions and/or the use of Aeroquip hose with fittings supplied by other manufacturers may result in unreliable and unsafe hose assemblies, which may result in sudden or unintended escape of refrigerant gases. Personal injury and/or violations of EPA regulations may occur as a consequence. Aeroquip recommends adherence to all guidelines, including EPA guidelines, concerning the service of refrigerant systems.

Reusable Fitting Program



Reusable Fitting Program

Hose Selection Guide and Design Guidelines

For information regarding other refrigerants and lubricants, please contact Eaton, 952-937-9800.

REFRIGERANT COMPATIBILITY CHART

Refrigerant	Hose Style			
	FC802	FC505	FC558	GH134
R-12	Y	Y	N	Y
R-22	Y	Y	N	Y
R-134a	Y	Y	Y	Y

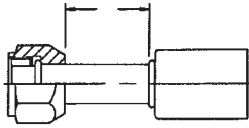
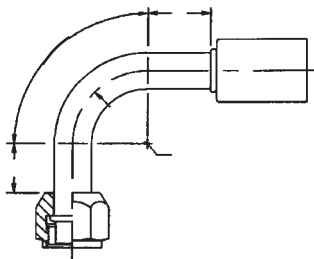
LUBRICANT COMPATIBILITY CHART

Lubricant	Hose Style			
	FC802	FC505	FC558	GH134
Mineral Oil	Y	Y	N	Y
PAG	Y	Y	Y	Y
Ester Oil	Y	Y	Y	Y
Alkylbenzene	Y	Y	N	Y

Y = Compatible

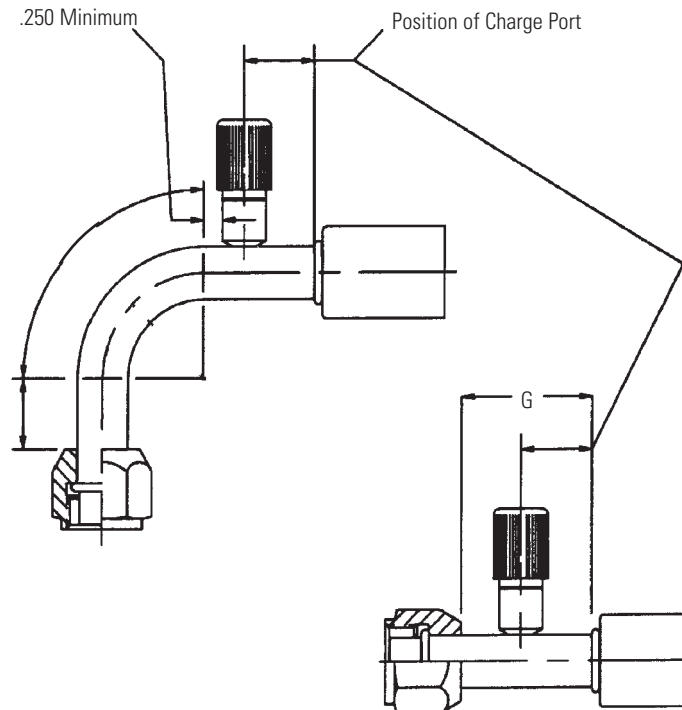
N = Non-compatible

Consult Eaton on fittings with more than one bend.



TUBE SIZE	L. MINIMUM	Tubing			TANGENT LENGTH	TOLERANCE
		SIZE	STYLE	WALL THICKNESS		
-6	1.1	-6	SAE J526	0.04	0 > 12≤	±0.031
-8	1.62	-8	SAE J526	0.04	12≤ > 36≤	±0.047
-10	1.62	-10	SAE J525	0.05	36≤ > 72≤	±0.062
-1012	1.62	-1012	SAE J525	0.05	72≤ >	±0.125
-12	1.38	-12	SAE J525	0.049		

L = A+B+C	R = 2 x O.D. of Tube Minimum
A = .500 Minimum	Bend Angle Tolerance ±.30°
B = .250 Minimum	Rotation Angle Tolerance ±1°
C = .01745 x R. x Bend Angle	All Dimensions Are In Inches



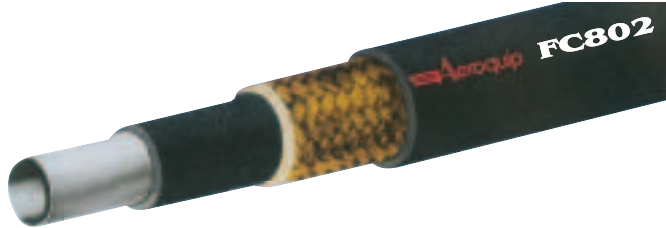
POSITION OF CHARGE PORT

High Side	.940 Minimum
Low Side	.881 Minimum

DASH SIZE	G
-6	1.54 Minimum
-8	1.63 Minimum
-10 High Side	1.69 Minimum
-10 Low Side	1.62 Minimum
-1012	1.62 Minimum
-12	1.70 Minimum

Reusable Fitting Program

FC802/FC558



Maximum Operating Pressure (Bar/PSI)

- 35/500

Minimum Burst Pressure (Bar/PSI)

- 175/2500

Temperature Range

- -40°F to +250°F
(-40°C to +121°C)

HFC 134a Effusion

- .25 lbs./ft²/yr. at 176°F
(1.21 kg/m²/yr. at 80°C)

Moisture Ingression

- 08 gm./in.²/yr. (.013/cm²/yr.)

Fittings

- SAE 100R5

R-12 Effusion

- 1.25 lbs./ft²/yr. at 176°F
(6.07 kg/m²/yr. at 80°C)

R-401B Effusion

- 2.86 lbs./ft²/yr. at 176°F
(13.88 kg/m²/yr. at 80°C)

R-22 Effusion

- 18.04 lbs./ft²/yr. at 176°F
(87.55 kg/m²/yr. at 80°C)

Features

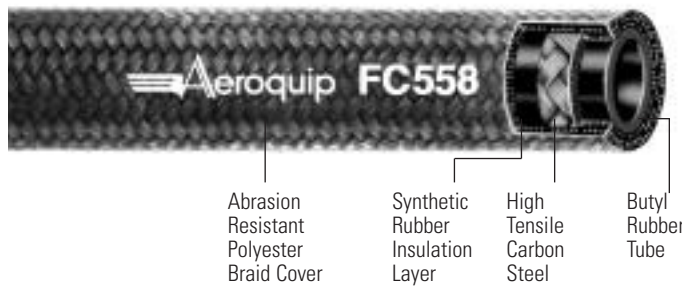
- Bromobutyl cover
- Polyamide-veneer tube
- Synthetic braid reinforcement
- Synthetic rubber backing layer
- SAE 100R5 reusable fittings

Benefits

- Excellent flexibility and heat resistance
- Maximum effusion resistance
- Superior resistance to moisture ingress
- Excellent noise and kink resistance
- Field attachable fittings
- Ease of installation and routing

SPECIFICATIONS AND PERFORMANCE (SAE J51 TYPE D)

Part Number Bend	Hose I.D.	Hose O.D.	Minimum Radius
#	MM/INCHES	MM/INCHES	MM/INCHES
FC802-04	5.1/.20	13.2/.52	50.8/2.0
FC802-06	8.38/.33	17.3/.68	63.5/2.5
FC802-08	10.67/.42	19.6/.77	76.2/3.0
FC802-10	13.2/.52	23.4/.92	88.9/3.5
FC802-12	16.51/.65	27.4/1.08	114.3/4.5



Abrasion Resistant Polyester Braid Cover

Synthetic Rubber Insulation Layer

High Tensile Carbon Steel

Butyl Rubber Tube

Features

- Butyl rubber tube
- High tensile steel wire reinforcement
- Synthetic rubber insulation layer
- Polyester braid cover
- SAE 100R5 reusable fittings

Benefits

- Excellent effusion resistance
- Extended service life
- Maximum resistance to moisture ingress
- Superior abrasion resistance
- Field attachable fittings

Maximum Operating Pressure (Bar/PSI)

- 35/500

Minimum Burst Pressure (Bar/PSI)

- 175/2500

Temperature Range

- -40°F to +250°F
(-40°C to +121°C)

R-134a Effusion

- 5.5 lbs./ft²/yr. at 176°F

Moisture Ingression

- .08 gm./in.²/yr.

Fittings

- Standard Aeroquip SAE 100R5 reusable fittings

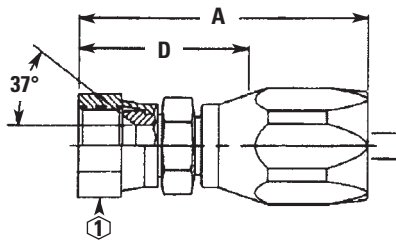
SPECIFICATIONS AND PERFORMANCE (MEETS OR EXCEEDS SAE J2064 TYPE B; FOR R-134A REFRIGERANT ONLY)

Part Number Bend	Hose I.D.	Hose O.D.	Minimum Radius
#	MM/INCHES	MM/INCHES	MM/INCHES
FC558-10	12.7/.50	23.4/.92	139/5.50
FC558-12	15.9/.62	26.9/1.06	165/6.50
FC558-16	22.2/.88	31.5/1.24	187/7.38
FC558-20	28.6/1.12	38.4/1.51	229/9.00
FC558-24	34.9/1.38	44.5/1.75	267/10.50

Reusable Fitting Program

FC802/FC558

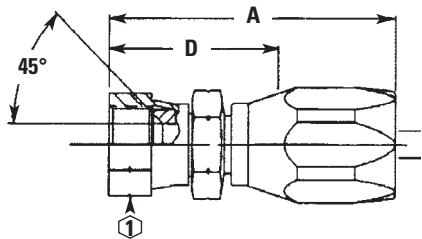
4411



S.A.E. 37° (J.I.C.) swivel

PART NUMBER	TH'D "T"	HOSE SIZE	A REF	D REF	F REF	H REF	① REF
4411-4S	7/16-20	4	1.97	1.23	—	—	0.69
4411-6S	9/16-18	6	2.33	1.43	—	—	0.69
4411-8S	3/4-16	8	2.78	1.62	—	—	0.88
4411-10S	7/8-14	10	3.10	1.81	—	—	1.00
4411-10-12S	7/8-14	12	3.40	1.83	—	—	1.00
4411-12S	1-1/16-12	12	3.49	1.92	—	—	1.25
4411-16S	1-5/16-12	16	3.19	1.93	—	—	1.50
4411-20S	1-5/8-12	20	3.43	2.07	—	—	2.00
4411-24S	1-7/8-12	24	3.68	2.22	—	—	2.25

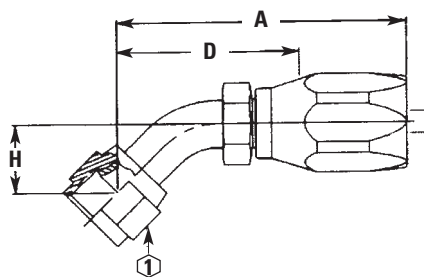
4401



S.A.E. 45° swivel

PART NUMBER	TH'D "T"	HOSE SIZE	A SIZE	D REF	F REF	H REF	① RE
4401-4S	7/16-20	4	1.97	1.22	—	—	0.56
4401-6S	5/8-18	6	2.36	1.46	—	—	0.75
4401-8S	3/4-16	8	2.78	1.62	—	—	0.88
4401-10S	7/8-14	10	3.10	1.81	—	—	1.00
4401-12S	1-1/16-14	12	3.49	1.92	—	—	1.25

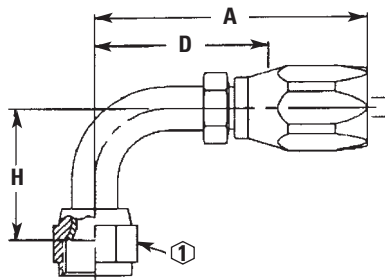
190297
190299
190265



45° Elbow 190297 universal swivel, 190299 S.A.E. 45° swivel 190265 S.A.E. 37° swivel

PART NUMBER	TH'D "T"	HOSE SIZE	A REF	D REF	F REF	H REF	① REF
190297-4S	7/16-20	4	1.85	1.10	—	0.33	0.56
190297-8S	3/4-16	8	2.99	1.84	—	0.55	0.88
190297-10S	7/8-14	10	3.24	1.95	—	0.64	1.00
190299-6S	5/8-18	6	2.23	1.33	—	0.39	0.75
190299-12S	1-1/16-14	12	3.78	2.21	—	0.78	1.25
190265-6S	9/16-18	6	2.23	1.33	—	0.39	0.69
190265-12S	1-1/16-12	12	3.78	2.21	—	0.78	1.25
190265-16S	1-5/16-12	16	3.74	2.47	—	1.07	1.50
190265-20S	1-5/8-12	20	4.21	2.85	—	1.22	2.00

190296
190302
190261



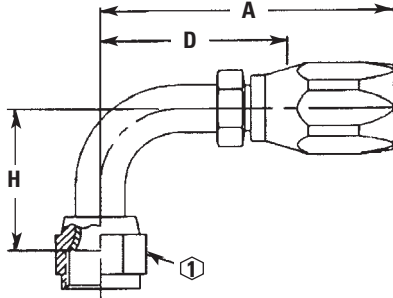
90° elbow 190296 universal swivel (short drop), 190302 S.A.E. 45° swivel 190261 S.A.E. 37° swivel

PART NUMBER	TH'D "T"	HOSE SIZE	A REF	D REF	F REF	H REF	① REF
190296-4S	7/16-20	4	1.74	0.99	—	0.68	0.56
190296-8S	3/4-16	8	2.76	1.61	—	1.09	0.88
190296-10S	7/8-14	10	2.94	1.65	—	1.23	1.00
190302-6S	5/8-18	6	2.13	1.23	—	0.85	0.75
190302-12S	1-1/16-14	12	3.74	2.17	—	1.82	1.25
190261-6S	9/16-18	6	2.13	1.23	—	0.85	0.69
190261-12S	1-1/16-12	12	3.74	2.17	—	1.82	1.25
190261-16S	1-5/16-12	16	3.55	2.28	—	2.39	1.50
190261-20S	1-5/8-12	20	4.02	2.65	—	2.75	2.00
190261-20-24S	1-5/8-12	24	4.11	2.66	—	2.75	2.00

Reusable Fitting Program

FC802/FC558

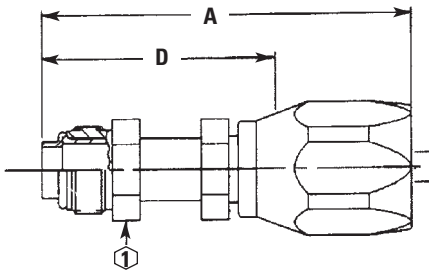
190295
190301
190260



90° elbow 190295 universal swivel (long drop), 190301 S.A.E. 45° swivel
190260 S.A.E. 37° swivel

PART NUMBER	TH'D "T"	HOSE SIZE	A REF	D REF	H REF	① REF
190295-4S	7/16-20	4	1.74	0.99	1.80	0.56
190295-8S	3/4-16	8	2.76	1.73	2.43	0.88
190295-10S	7/8-14	10	2.94	1.90	2.57	1.00
190295-10-12S	7/8-14	12	3.49	1.92	2.57	1.00
190301-6S	5/8-18	6	2.13	1.23	2.18	0.75
190301-12S	1-1/16-14	12	3.74	2.17	3.73	1.25
190260-6S	9/16-18	6	2.13	1.23	2.18	0.69
190260-12S	1-1/16-12	12	3.74	2.17	3.73	1.25
190260-16S	1-5/16-12	16	3.55	2.28	4.58	1.50
190260-20S	1-5/8-12	20	4.02	2.65	5.53	2.00

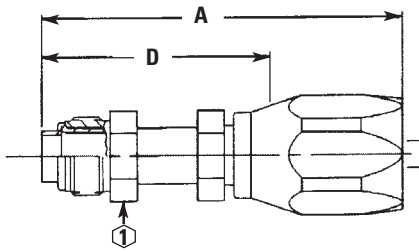
FJ7646



Male O-ring pilot (short)

PART NUMBER	TH'D "T"	HOSE SIZE	A REF	D REF	F REF	H REF	① REF
FC7646-0606S	5/8-18	6	3.03	2.13	—	—	0.62
FC7646-0808S	3/4-18	8	3.43	2.28	—	—	0.75
FC7646-1010S	7/8-18	10	3.85	2.56	—	—	0.88

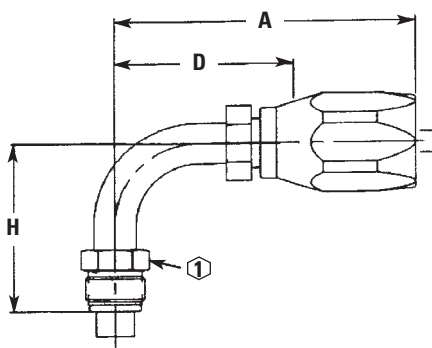
FC7049



Male O-ring pilot (long)

PART NUMBER	TH'D "T"	HOSE SIZE	A REF	D REF	F REF	H REF	① REF
FC7049-0606S	5/8-18	6	3.03	2.13	—	—	0.62
FC7049-0808S	3/4-18	8	3.63	2.48	—	—	0.75
FC7049-1010S	7/8-18	10	3.85	2.56	—	—	0.88

FC7662



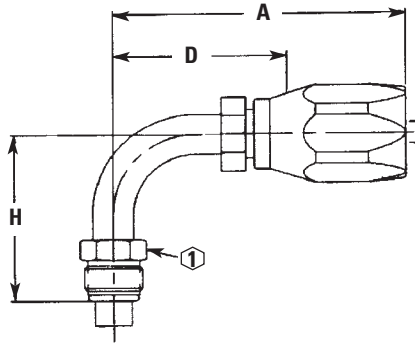
90° Male O-ring pilot (short)

PART NUMBER	TH'D "T"	HOSE SIZE	A REF	D REF	F REF	H REF	① REF
FC7662-0606S	5/8-18	6	2.47	1.57	—	1.77	0.62
FC7662-1010S	7/8-18	10	3.28	1.99	—	2.07	0.88
FC7662-1012S	7/8-18	12	3.57	2.00	—	2.07	1.06

Reusable Fitting Program

FC802/FC558

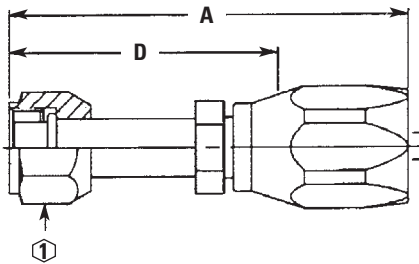
FC7474



90° Male O-ring pilot (long)

PART NUMBER	TH'D "T"	HOSE SIZE	A REF	D REF	F REF	H REF	① REF
FC7474-0606S	5/8-18	6	2.72	1.82	—	2.02	0.62
FC7474-0808S	3/4-18	8	3.13	1.98	—	2.62	0.75
FC7474-1010S	7/8-18	10	3.28	1.99	—	2.45	0.88
FC7474-1012S	7/8-18	12	3.58	2.01	—	2.45	0.88

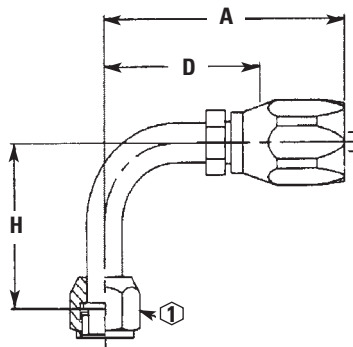
FC7049



Female O-ring pilot (long)

PART NUMBER	TH'D "T"	HOSE SIZE	A REF	D REF	F REF	H REF	① REF
FC7048-0606S	5/8-18	6	2.67	1.77	—	—	0.75
FC7048-0808S	3/4-16	8	3.27	2.12	—	—	0.88
FC7048-1010S	7/8-14	10	3.61	2.32	—	—	1.06
FC7048-1212S	1-1/16-14	12	4.00	2.44	—	—	1.25

FC7573



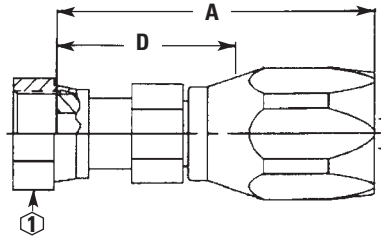
90° Female O-ring pilot (long)

PART NUMBER	TH'D "T"	HOSE SIZE	A REF	D REF	F REF	H REF	① REF
FC7573-0606S	5/8-18	6	2.72	1.82	—	1.17	0.75
FC7573-0808S	3/4-16	8	3.50	2.35	—	1.24	0.88
FC7573-1010S	7/8-14	10	4.22	2.93	—	1.50	1.06
FC7573-1210S	1-1/16-14	10	4.69	3.40	—	1.99	1.25
FC7573-1212S	1-1/16-14	12	4.99	3.42	—	1.99	1.25

Reusable Fitting Program

FC802/FC558

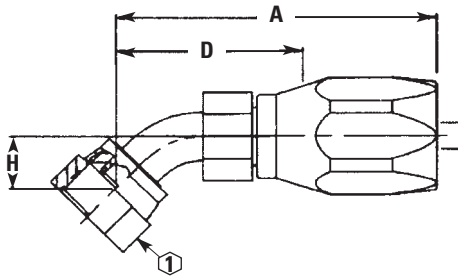
FJ9706



ORS female swivel

PART NUMBER	TH'D "T"	HOSE SIZE	A REF	D REF	F REF	H REF	① REF
FJ9706-0404S	9/16-18	4	2.09	1.34	—	—	0.69
FJ9706-0606S	11/16-16	6	2.43	1.53	—	—	0.81
FJ9706-0808S	13/16-16	8	3.13	1.98	—	—	0.94
FJ9706-1010S	1-14	10	3.37	2.08	—	—	1.12
FJ9706-1212S	1-3/16-12	12	3.68	2.11	—	—	1.38
FJ9706-1616S	1-7/16-12	16	3.50	2.23	—	—	1.62
FJ9706-2020S	1-11/16-12	20	3.64	2.28	—	—	1.88
FJ9706-2424S	2-12	24	3.86	2.40	—	—	2.25

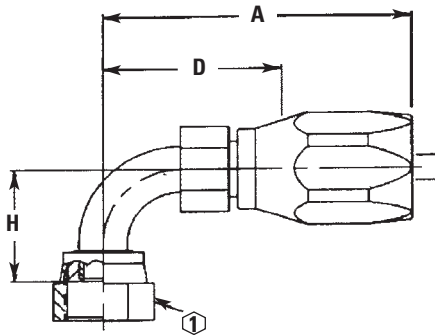
FJ9707



45° ORS female swivel

PART NUMBER	TH'D "T"	HOSE SIZE	A REF	D REF	F REF	H REF	① REF
FJ9707-0404S	9/16-18	4	1.96	1.21	—	0.41	0.69
FJ9707-0606S	11/16-16	6	2.27	1.37	—	0.43	0.81
FJ9707-0808S	13/16-16	8	3.03	1.88	—	0.59	0.94
FJ9707-1010S	1-14	10	3.38	2.08	—	0.65	1.12
FJ9707-1212S	1-3/16-12	12	3.84	2.27	—	0.83	1.38
FJ9707-1616S	1-7/16-12	16	3.62	2.35	—	0.94	1.62
FJ9707-2020S	1-11/16-12	20	4.09	2.72	—	1.00	1.88
FJ9707-2424S	2-12	24	4.32	2.87	—	1.07	2.25

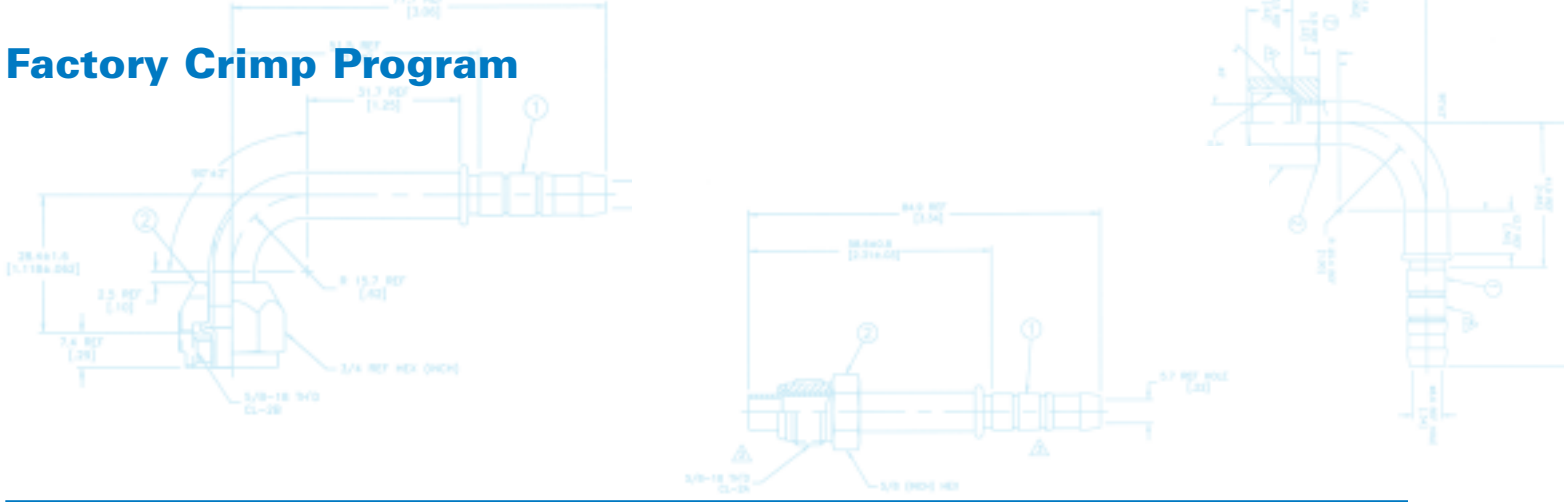
FJ9708



90° ORS female swivel

PART NUMBER	TH'D "T"	HOSE SIZE	A REF	D REF	F REF	H REF	① REF
FJ9708-0404S	9/16-18	4	1.80	1.05	—	0.82	0.69
FJ9708-0606S	11/16-16	6	2.13	1.23	—	0.90	0.81
FJ9708-0808S	13/16-16	8	2.76	1.61	—	1.15	0.94
FJ9708-1010S	1-14	10	3.03	1.74	—	1.27	1.12
FJ9708-1212S	1-3/16-12	12	3.74	2.17	—	1.88	1.38
FJ9708-1616S	1-7/16-12	16	3.55	2.28	—	2.21	1.62
FJ9708-2020S	1-11/16-12	20	4.02	2.65	—	2.51	1.88
FJ9708-2424S	2-12	24	4.42	2.97	—	2.70	2.25

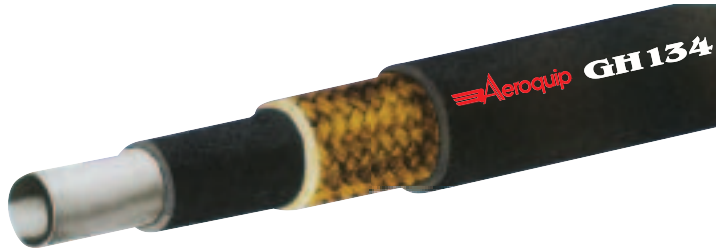
Factory Crimp Program



Factory Crimp Program

GH134/FC505

All factory crimp fittings are double O-ring formed nipple design and offer assured sealing.



Maximum Operating Pressure (Bar/PSI)

- 35/500

Minimum Burst Pressure (Bar/PSI)

- 175/2500

Temperature Range

- -22°F to +257°F (-30°C to +125°C)

R-134a Effusion

- .50 lbs./ft²/yr. at 176°F

Moisture Ingression

- .08 gm./in.²/yr.

Features

- Internal polyamide veneer
- Synthetic rubber backing layer
- Stabilized synthetic braided reinforcement
- Specially formulated synthetic rubber cover
- Roll-formed fittings

Benefits

- Excellent effusion resistance
- Maximum resistance to moisture ingress and superior flexibility
- Extended service performance
- Excellent resistance to oil and abrasion
- Assured coupling integrity

SPECIFICATIONS AND PERFORMANCE (MEETS OR EXCEEDS SAE J2064 TYPE E; FOR R-134A REFRIGERANT ONLY)

Part Number	Hose I.D.	Hose O.D.	Minimum Bend Radius
#	MM/INCHES	MM/INCHES	MM/INCHES
GH134-6	7.9/.31	14.7/.58	50.0/2.0
GH134-8	10.3/.41	17.8/.70	63.5/2.5
GH134-10	12.7/.50	19.8/.78	76.2/3.0
GH134-12	15.9/.62	24.9/.98	101.6/4.0
GH134-16	22.4/.88	31.2/1.23	127/7.0



Features

- Internal polyamide veneer
- Synthetic rubber backing layer
- Stabilized synthetic braided reinforcement
- Chlorobutyl rubber cover
- Roll-formed fittings

Benefits

- Maximum effusion resistance
- Improved flexibility for ease of installation
- Excellent noise and vibration resistance
- Extended service performance
- Maximum resistance to moisture ingress
- Assured coupling integrity

Maximum Operating Pressure (Bar/PSI)

- 35/500

Minimum Burst Pressure (Bar/PSI)

- 175/2500

Temperature Range

- -40°F to +275°F (-40°C to +135°C)

R-134a Effusion

- .10 lbs./ft²/yr. at 176°F

R-12 Effusion

- 0.5 lbs./ft²/yr. at 212°F

R-22 Effusion

- 8.9 lbs./ft²/yr. at 158°F

R-502 Effusion

- 4.1 lbs./ft²/yr. at 176°F

Moisture Ingression

- .10 gm./in.²/yr.

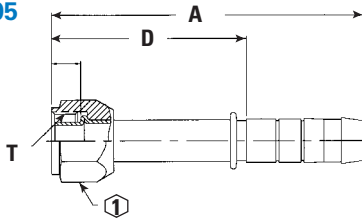
SPECIFICATIONS AND PERFORMANCE (MEETS OR EXCEEDS SAE J2064 TYPE E)

Part Number	Hose I.D.	Hose O.D.	Minimum Bend Radius
#	MM/INCHES	MM/INCHES	MM/INCHES
FC505-04	5.1/.20	11.2/.44	38.1/1.5
FC505-06	7.9/.31	14.7/.58	50.0/2.0
FC505-08	10.3/.41	17.8/.70	63.5/2.5
FC505-10	12.7/.50	19.8/.78	76.2/3.0
FC505-12	15.9/.62	24.9/.98	101.6/4.0

Factory Crimp Program

GH134/FC505

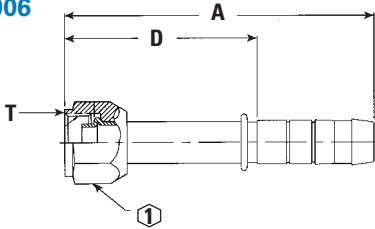
FJ4905



Female O-ring (long pilot)

NIPPLE PART #	SOCKET PART #	TH'D "T"	HOSE SIZE	A REF	D REF	F REF	H REF	REF
FJ4905-02-0606S	1F07-06-S	5/8-18	6	4.08	3.04	—	—	0.75
FJ4905-04-0606S	1F07-06-S	5/8-18	6	2.85	1.82	—	—	0.75
FJ4905-07-0606S	1F07-06-S	5/8-18	6	2.98	1.94	—	—	0.75
FJ4905-01-0808S	1F07-08-S	3/4-16	8	4.21	3.07	—	—	0.88
FJ4905-08-0808S	1F07-08-S	3/4-16	8	3.72	2.58	—	—	0.88
FJ4905-05-1010S	1F07-10-S	7/8-14	10	4.33	2.81	—	—	1.06
FJ4905-03-1012S	1F07-12-S	7/8-14	12	4.69	2.93	—	—	1.06
FJ4905-06-1212S	1F07-12-S	1-1/16-14	12	4.99	3.22	—	—	1.25
FJ4905-09-0810S	1F07-10-S	3/4-16	10	4.14	2.62	—	—	.88

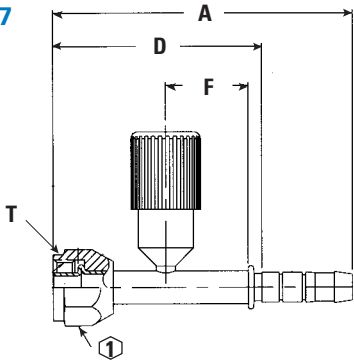
FJ4906



Female O-ring (short pilot)

NIPPLE PART #	SOCKET PART #	TH'D "T"	HOSE SIZE	A REF	D REF	F REF	H REF	REF
FJ4906-03-0606S	1F07-06-S	5/8-18	6	3.00	1.95	—	—	0.75
FJ4906-04-0808S	1F07-08-S	3/4-16	8	3.59	2.46	—	—	0.88
FJ4906-05-1010S	1F07-10-S	7/8-14	10	4.27	2.75	—	—	1.06
FJ4906-01-1012S	1F07-12-S	7/8-14	12	4.66	2.90	—	—	1.06
FJ4906-06-1212S	1F07-12-S	1-1/16-14	12	5.19	3.43	—	—	1.25

FJ4917

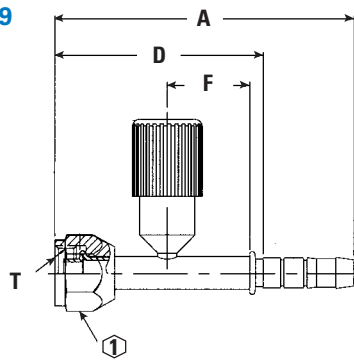


Female O-ring (long pilot) with High Side Charge Port

NIPPLE PART #	SOCKET PART #	TH'D "T"	HOSE SIZE	A REF	D REF	F REF	H REF	REF
FJ4917-01-0606S	1F07-06-S	5/8-18	6	3.43	2.39	0.94	—	-0.75
FJ4917-02-0808S	1F07-08-S	3/4-16	8	3.74	2.60	0.94	—	-0.88
FJ4917-03-1010S	1F07-10-S	7/8-14	10	4.00*	2.88	0.94	—	-1.06

*Proposed Dimensions
Shaded items may not be in stock.

FJ4919



Female O-ring (short pilot) with High Side Charge Port

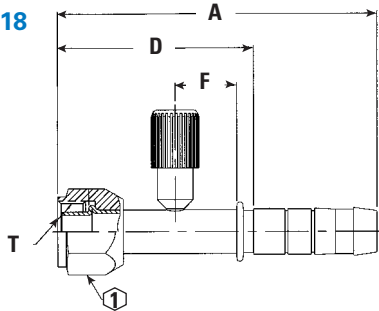
NIPPLE PART #	SOCKET PART #	TH'D "T"	HOSE SIZE	A REF	D REF	F REF	H REF	REF
FJ4919-01-0606S	1F07-06-S	5/8-18	6	3.46	2.38	0.94	—	0.75
FJ4919-02-0808S	1F07-08-S	3/4-16	8	3.73	2.59	0.94	—	0.88
FJ4919-03-1212S	1F07-12-S	1-1/16-14	12	4.00*	2.88	0.94	—	1.25

*Proposed Dimensions
Shaded items may not be in stock.

Factory Crimp Program

GH134/FC505

FJ4918

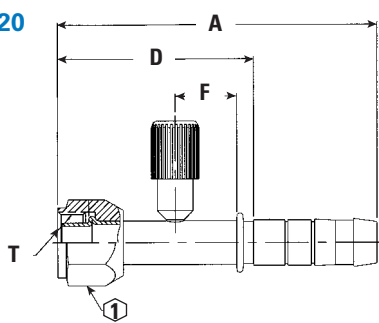


Female O-ring (long pilot) with Low Side Charge Port

NIPPLE PART #	SOCKET PART #	TH'D "T"	HOSE SIZE	A REF	D REF	F REF	H REF	REF
FJ4918-01-1010S	1F07-10-S	7/8-18	10	4.12*	3.00	0.88	—	0.88
FJ4918-02-1012S	1F07-12-S	7/8-18	12	4.57	2.80	0.88	—	0.88
FJ4918-03-1212S	1F07-12-S	1-1/16-14	12	4.21*	3.09	0.88	—	1.06

*Proposed Dimensions
Shaded items may not be in stock.

FJ4920

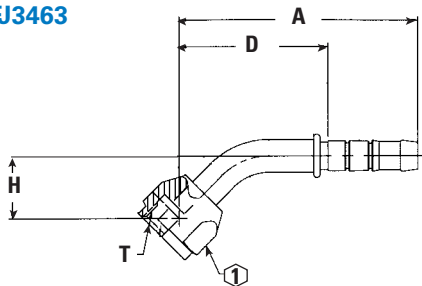


Female O-ring (short pilot) with Low Side Charge Port

NIPPLE PART #	SOCKET PART #	TH'D "T"	HOSE SIZE	A REF	D REF	F REF	H REF	REF
FJ4920-01-1010S	1F07-10-S	7/8-14	10	3.93*	2.81	0.88	—	1.06
FJ4920-02-1012S	1F07-12-S	7/8-14	12	3.93*	2.81	0.88	—	1.06
FJ4920-03-1212S	1F07-12-S	1-1/16-14	12	4.19*	3.07	0.88	—	1.25

*Proposed Dimensions
Shaded items may not be in stock.

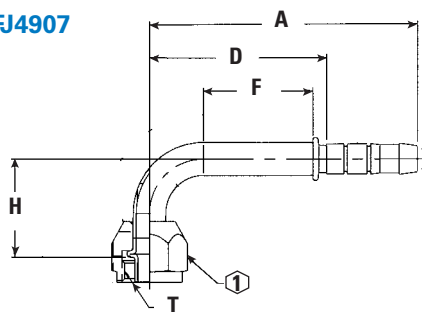
FJ3463



45° Female O-ring (short pilot)

NIPPLE PART #	SOCKET PART #	TH'D "T"	HOSE SIZE	A REF	D REF	F REF	H REF	REF
FJ3463-01-0606S	1F07-06-S	5/8-18	6	2.74	1.70	—	0.71	0.75
FJ3463-04-1010S	1F07-10-S	7/8-14	10	3.92	2.40	—	1.19	1.06

FJ4907



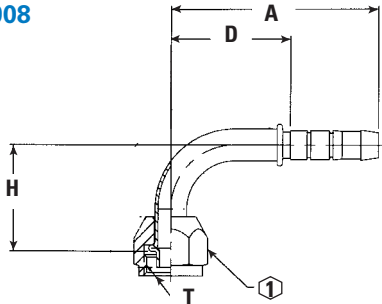
90° O-ring (long pilot)

NIPPLE PART #	SOCKET PART #	TH'D "T"	HOSE SIZE	A REF	D REF	F REF	H REF	REF
FJ4907-02-0606S	1F07-06-S	5/8-18	6	2.03	1.25	—	1.25	0.75
FJ4907-04-0606S	1F07-06-S	5/8-18	6	2.78	1.75	—	1.38	0.75
FJ4907-09-0606S	1F07-06-S	5/8-18	6	3.10	2.07	—	2.40	0.75
FJ4907-03-0808S	1F07-08-S	3/4-16	8	2.79	1.65	—	1.62	0.88
FJ4907-11-0808S	1F07-08-S	3/4-16	8	2.79	1.65	—	2.95	0.88
FJ4907-07-1010S	1F07-10-S	7/8-14	10	3.46	1.93	—	1.89	1.06
FJ4907-05-1012S	1F07-12-S	7/8-14	12	3.75	1.99	—	1.80	1.06
FJ4907-12-1012S	1F07-12-S	7/8-14	12	3.75	1.99	—	2.95	1.06
FJ4907-08-1212S	1F07-12-S	1-1/16-14	12	4.05	2.29	—	2.56	1.25

Factory Crimp Program

GH134/FC505

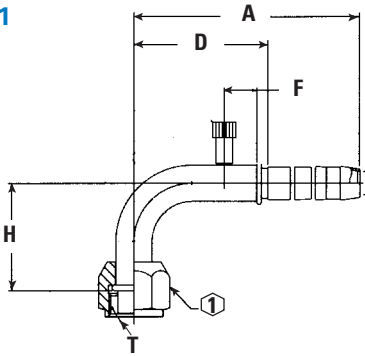
FJ4908



90° O-ring (short pilot)

NIPPLE PART #	SOCKET PART #	TH'D "T"	HOSE SIZE	A REF	D REF	F REF	H REF	REF
FJ4908-02-0606S	1F07-06-S	5/8-18	6	2.46	1.42	—	1.25	0.75
FJ4908-01-0808S	1F07-08-S	3/4-16	8	2.79	1.65	—	1.68	0.88
FJ4908-05-1010S	1F07-10-S	7/8-14	10	3.46	1.94	—	2.00	1.06
FJ4908-04-1012S	1F07-12-S	7/8-14	12	3.75	2.00	—	2.00	1.06
FJ4908-06-1212S	1F07-12-S	1-1/16-14	12	4.06	2.29	—	2.30	1.25

FJ4921

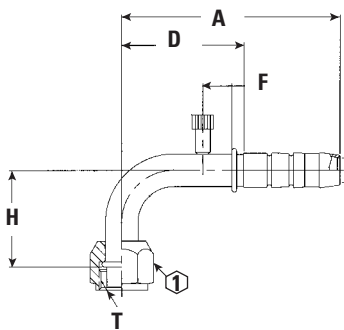


90° Female O-ring (long pilot) with High Side Charge Port

NIPPLE PART #	SOCKET PART #	TH'D "T"	HOSE SIZE	A REF	D REF	F REF	H REF	REF
FJ4921-01-0606S	1F07-06-S	5/8-18	6	3.38	2.44	0.94	1.40	0.75
FJ4921-02-0808S	1F07-08-S	3/4-16	8	3.61	2.69	0.94	1.68	0.88
FJ4921-03-1010S	1F07-10-S	7/8-14	10	4.10	3.00	0.94	2.00	1.06

Shaded items may not be in stock.

FJ4922

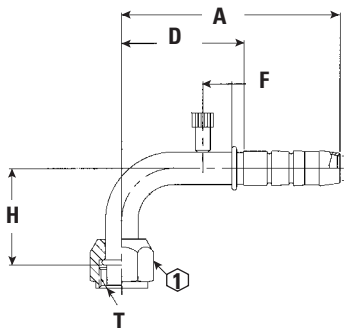


90° Female O-ring (short pilot) with Low Side Charge Port

NIPPLE PART #	SOCKET PART #	TH'D "T"	HOSE SIZE	A REF	D REF	F REF	H REF	REF
FJ4922-01-1010S	1F07-10-S	7/8-14	10	3.98*	2.88	0.88	2.00	1.06
FJ4922-02-1012S	1F07-12-S	7/8-14	12	3.98*	2.88	0.88	2.00	1.06
FJ4922-03-1212S	1F07-12-S	1-1/16-14	12	4.24*	3.13	0.88	2.30	1.25

*Proposed Dimensions
Shaded items may not be in stock.

FJ4923



90° Female O-ring (short pilot) with High Side Charge Port

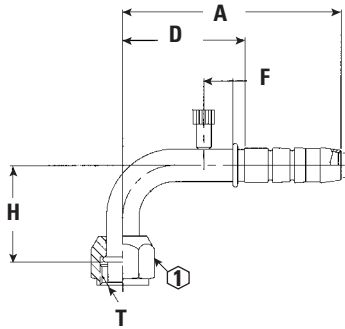
NIPPLE PART #	SOCKET PART #	TH'D "T"	HOSE SIZE	A REF	D REF	F REF	H REF	REF
FJ4923-01-0606S	1F07-06-S	5/8-18	6	3.38*	2.44	0.94	1.40	0.75
FJ4923-02-0808S	1F07-08-S	3/4-16	8	3.61*	2.69	0.94	1.68	0.88
FJ4923-03-1010S	1F07-10-S	7/8-14	10	4.10*	3.00	0.94	2.00	1.06

*Proposed Dimensions
Shaded items may not be in stock.

Factory Crimp Program

GH134/FC505

FJ4924

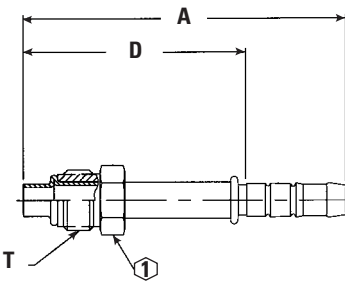


90° Female O-ring (short pilot) with Low Side Charge Port

NIPPLE PART #	SOCKET PART #	TH'D "T"	HOSE SIZE	A REF	D REF	F REF	H REF	① REF
FJ4924-01-1010S	1F07-10-S	7/8-14	10	3.98	2.88	0.88	2.00	1.06
FJ4924-02-1012S	1F07-12-S	7/8-14	12	3.98	2.88	0.88	2.00	1.06
FJ4924-03-1212S	1F07-12-S	1-1/16-14	12	4.24	3.13	0.88	2.30	1.25

Shaded items may not be in stock.

FJ4901

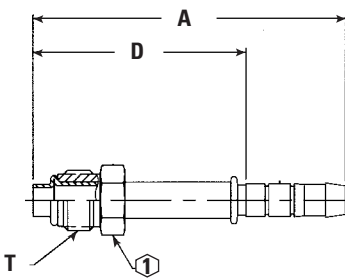


Male O-ring (long pilot)

NIPPLE PART #	SOCKET PART #	TH'D "T"	HOSE SIZE	A REF	D REF	F REF	H REF	① REF
FJ4901-05-0606S	1F07-06-S	5/8-18	6	3.26	2.31	—	—	0.62
FJ4901-01-0606S	1F07-06-S	5/8-18	6	4.09	3.05	—	—	0.62
FJ4901-06-0808S	1F07-08-S	3/4-18	8	3.81	2.88	—	—	0.75
FJ4901-03-1010S	1F07-10-S	7/8-18	10	4.30*	3.20	—	—	0.88
FJ4901-07-1012S	1F07-12-S	7/8-18	12	4.32*	3.20	—	—	0.88
FJ4901-04-1212S	1F07-12-S	1-1/16-16	12	4.41*	3.29	—	—	1.06

*Proposed Dimensions
Shaded items may not be in stock.

FJ4902

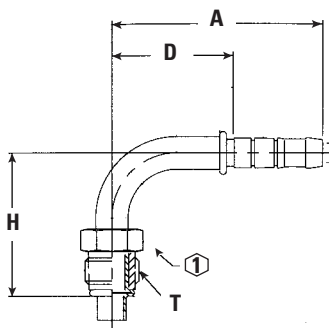


Male O-ring (short pilot)

NIPPLE PART #	SOCKET PART #	TH'D "T"	HOSE SIZE	A REF	D REF	F REF	H REF	① REF
FJ4902-02-0606S	1F07-06-S	5/8-18	6	3.25	2.21	—	—	0.62
FJ4902-04-0808S	1F07-08-S	3/4-18	8	4.30	3.16	—	—	0.75
FJ4902-01-1010S	1F07-10-S	7/8-18	10	4.46	2.94	—	—	0.88
FJ4902-03-1012S	1F07-12-S	7/8-18	12	4.76	3.00	—	—	0.88
FJ4902-05-1212S	1F07-12-S	1-1/16-16	12	4.90	3.13	—	—	1.06

Shaded items may not be in stock.

FJ4903

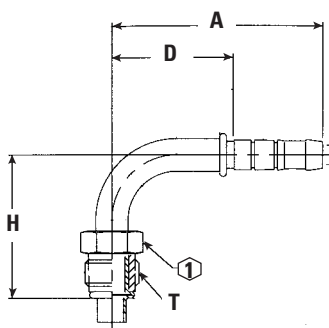


90° Male O-ring (long pilot)

NIPPLE PART #	SOCKET PART #	TH'D "T"	HOSE SIZE	A REF	D REF	F REF	H REF	① REF
FJ4903-01-0606S	1F07-06-S	5/8-18	6	2.44	1.40	—	1.65	0.62
FJ4903-02-0808S	1F07-08-S	3/4-18	8	2.61*	1.68	—	2.38	0.75
FJ4903-04-1010S	1F07-10-S	7/8-18	10	3.11*	2.00	—	2.69	0.88
FJ4903-03-1012S	1F07-12-S	7/8-18	12	3.11*	2.00	—	2.69	0.88
FJ4903-05-1212S	1F07-12-S	1-1/16-16	12	3.36*	2.24	—	2.79	1.06

*Proposed Dimensions
Shaded items may not be in stock.

FJ4904



90° Male O-ring (short pilot)

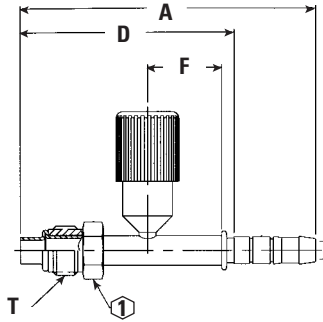
NIPPLE PART #	SOCKET PART #	TH'D "T"	HOSE SIZE	A REF	D REF	F REF	H REF	① REF
FJ4904-01-0606S	1F07-06-S	5/8-18	6	2.44	1.4	—	1.65	0.62
FJ4904-05-0808S	1F07-08-S	3/4-18	8	2.79	1.65	—	2.10	0.75
FJ4904-02-1010S	1F07-10-S	7/8-18	10	3.45	1.93	—	3.00	0.88
FJ4904-10-1010S	1F07-10-S	7/8-18	10	3.45	1.93	—	2.45	0.88
FJ4904-03-1012S	1F07-12-S	7/8-18	12	3.75	1.98	—	2.45	0.88
FJ4904-04-1212S	1F07-12-S	1-1/16-16	12	4.05	2.29	—	2.79	1.06

*Proposed Dimensions

Factory Crimp Program

GH134/FC505

FJ4909

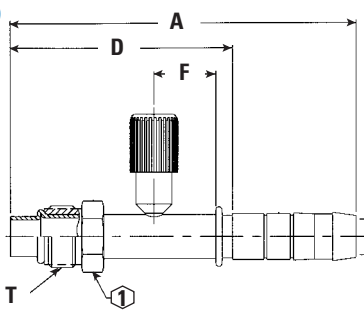


Male O-ring (long pilot) with High Side Charge Port

NIPPLE PART #	SOCKET PART #	TH'D "T"	HOSE SIZE	A REF	D REF	F REF	H REF	REF
FJ4909-01-0606S	1F07-06-S	5/8-18	6	3.73	2.71	0.94	—	0.63
FJ4909-02-0808S	1F07-08-S	3/4-18	8	4.29	3.15	0.94	—	0.75
FJ4909-03-1010S	1F07-10-S	7/8-18	10	4.29	3.15	0.94	—	0.88

Shaded items may not be in stock.

FJ4910

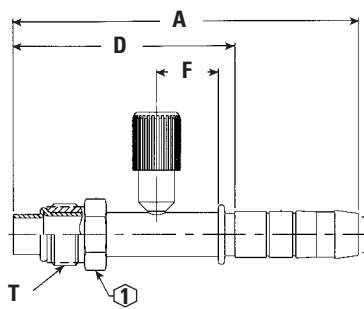


Male O-ring (long pilot) with Low Side Charge Port

NIPPLE PART #	SOCKET PART #	TH'D "T"	HOSE SIZE	A REF	D REF	F REF	H REF	REF
FJ4910-01-1010S	1F07-10-S	7/8-18	10	4.95	3.20	0.88	—	0.88
FJ4910-02-1012S	1F07-12-S	7/8-18	12	4.95	3.20	0.88	—	0.88
FJ4910-03-1212S	1F07-12-S	1-1/16-16	12	4.95	3.29	0.88	—	1.06

Shaded items may not be in stock.

FJ4911



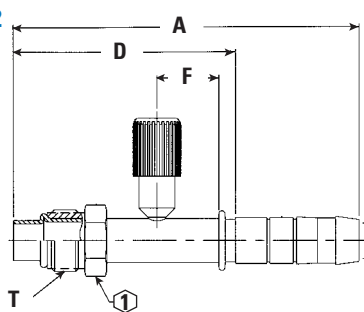
Male O-ring (short pilot) with High Side Charge Port

NIPPLE PART #	SOCKET PART #	TH'D "T"	HOSE SIZE	A REF	D REF	F REF	H REF	REF
FJ4911-01-0606S	1F07-06-S	5/8-18	6	3.57*	2.63	0.94	—	0.63
FJ4911-02-0808S	1F07-08-S	3/4-18	8	3.92*	2.98	0.94	—	0.75
FJ4911-03-1010S	1F07-10-S	7/8-18	10	4.95	3.00	0.94	—	0.88

*Proposed Dimensions

Shaded items may not be in stock.

FJ4912



Male O-ring (short pilot) with Low Side Charge Port

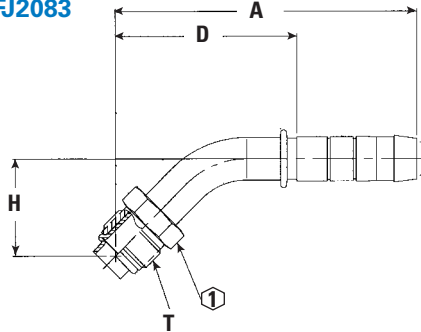
NIPPLE PART #	SOCKET PART #	TH'D "T"	HOSE SIZE	A REF	D REF	F REF	H REF	REF
FJ4912-01-1010S	1F07-10-S	7/8-18	10	4.95	3.00	0.88	—	0.88
FJ4912-02-1012S	1F07-12-S	7/8-18	12	4.95	3.00	0.88	—	0.88
FJ4912-03-1212S	1F07-12-S	1-1/16-16	12	4.95	3.09	0.88	—	1.06

Shaded items may not be in stock.

Factory Crimp Program

GH134/FC505

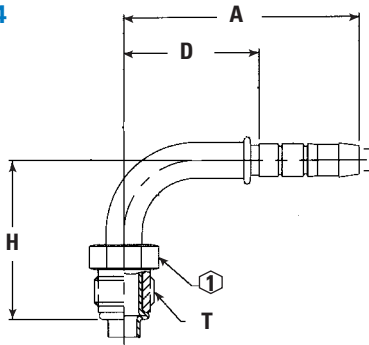
FJ2083



45° Male O-ring (short pilot)

NIPPLE PART #	SOCKET PART #	TH'D "T"	HOSE SIZE	A REF	D REF	F REF	H REF	① REF
FJ2083-01-1012	1F07-12-S	7/8-18	12	4.44	2.68	—	1.42	1.06
FJ2083-02-0606S	1F07-06-S	5/8-18	6	3.08	2.05	0	1.08	0.63

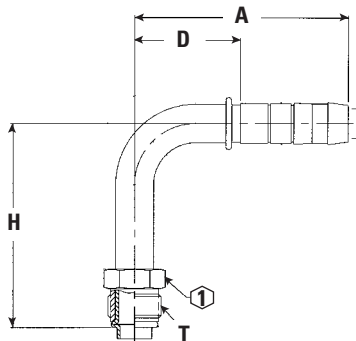
FJ4904



90° Male O-ring (short pilot)

NIPPLE PART #	SOCKET PART #	TH'D "T"	HOSE SIZE	A REF	D REF	F REF	H REF	① REF
FJ4904-01-0606S	1F07-06-S	5/8-18	6	2.44	1.40	—	1.65	0.62
FJ4904-05-0808S	1F07-08-S	3/4-18	8	2.79	1.65	—	2.38	0.75
FJ4904-02-1010S	1F07-10-S	7/8-18	10	3.45	1.93	—	3.00	0.88
FJ4904-03-1012S	1F07-12-S	7/8-18	12	3.75	1.98	—	2.69	0.88
FJ4904-04-1212S	1F07-12-S	1-1/16-16	12	4.05	2.29	—	2.79	1.06

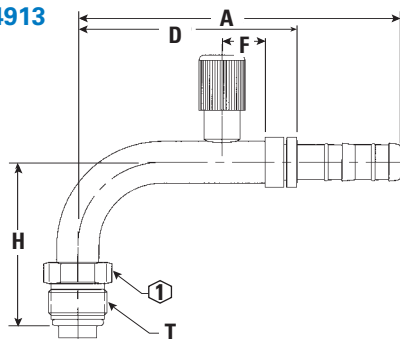
FJ2072



90° Male O-ring (short pilot)

NIPPLE PART #	SOCKET PART #	TH'D "T"	HOSE SIZE	A REF	D REF	F REF	H REF	① REF
FJ2072-1012	1F07-12-S	7/8-18	12	3.50	1.74	—	3.32	1.06

FJ4913



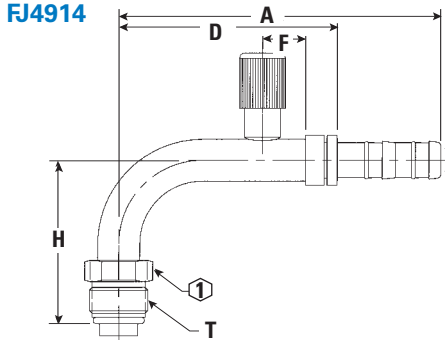
90° Male O-ring (long pilot) with High Side Charge Port

NIPPLE PART #	SOCKET PART #	TH'D "T"	HOSE SIZE	A REF	D REF	F REF	H REF	I ① REF
FJ4913-01-0606S	1F07-06-S	5/8-18	6	3.86*	2.43	0.94	1.77	0.63
FJ4913-02-0808S	1F07-08-S	3/4-18	8	3.86*	2.68	0.94	2.37	0.75
FJ4913-03-1010S	1F07-10-S	7/8-18	10	4.92*	3.00	0.94	2.45	0.88

*Proposed Dimensions
Shaded items may not be in stock.

Factory Crimp Program

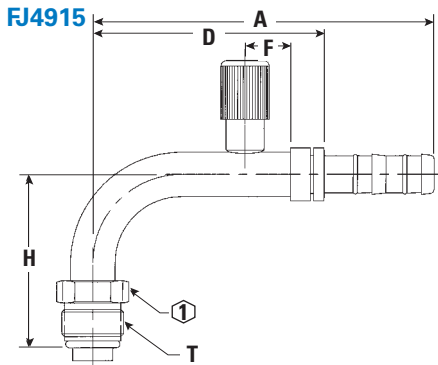
GH134/FC505



90° Male O-ring (long pilot) with Low Side Charge Port

NIPPLE PART #	SOCKET PART #	TH'D "T"	HOSE SIZE	A REF	D REF	F REF	H REF	① REF
FJ4914-01-1010S	1F07-10-S	7/8-18	10	4.00*	2.88	0.88	2.45	0.88
FJ4914-02-1012S	1F07-12-S	7/8-18	12	4.00*	2.88	0.88	2.45	0.88
FJ4914-03-1212S	1F07-12-S	1-1/16-16	12	4.25*	3.13	0.88	3.67	1.06

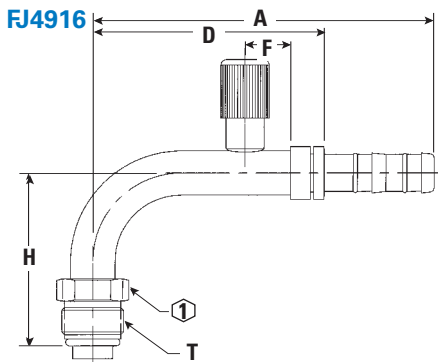
*Proposed Dimensions
Shaded items may not be in stock.



90° Male O-ring (short pilot) with High Side Charge Port

NIPPLE PART #	SOCKET PART #	TH'D "T"	HOSE SIZE	A REF	D REF	F REF	H REF	① REF
FJ4915-01-0606S	1F07-06-S	5/8-18	6	3.36*	2.43	0.94	1.77	0.63
FJ4915-02-0808S	1F07-08-S	3/4-18	8	3.61*	2.68	0.94	2.37	0.75
FJ4915-03-1010S	1F07-10-S	7/8-18	10	4.12*	3.00	0.94	2.45	0.88

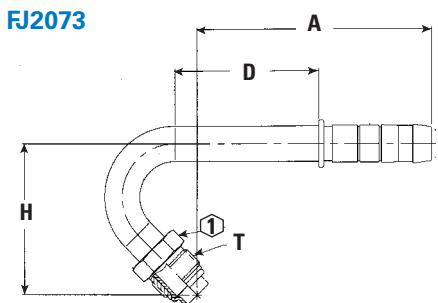
*Proposed Dimensions
Shaded items may not be in stock.



90° Male O-ring (short pilot) with Low Side Charge Port

NIPPLE PART #	SOCKET PART #	TH'D "T"	HOSE SIZE	A REF	D REF	F REF	H REF	① REF
FJ4916-01-1010S	1F07-10-S	7/8-18	10	4.00*	2.88	0.88	2.45	0.88
FJ4916-02-1012S	1F07-12-S	7/8-18	12	4.00*	2.88	0.88	2.45	0.88
FJ4916-03-1212S	1F07-12-S	1-1/16-16	12	4.25*	3.13	0.88	2.79	1.06

*Proposed Dimensions
Shaded items may not be in stock.



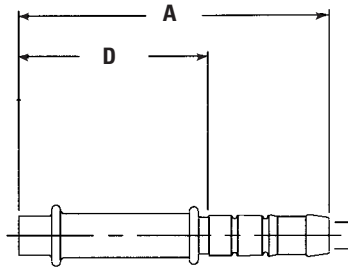
135° Male O-ring (short pilot)

NIPPLE PART #	SOCKET PART #	TH'D "T"	HOSE SIZE	A REF	D REF	F REF	H REF	① REF
FJ2073-1012	1F07-12-S	7/8-18	12	4.15	2.39	—	2.66	1.06

Factory Crimp Program

GH134/FC505

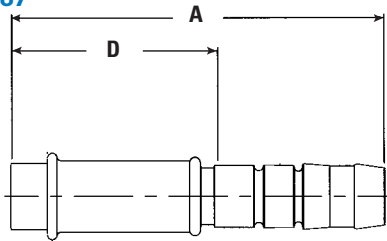
FJ2086



O-ring (long pilot)

NIPPLE PART #	SOCKET PART #	HOSE SIZE	A REF	D REF	F REF	H REF	REF
FJ2086-0606S	1F07-06-S	6	2.65	1.61	—	—	—

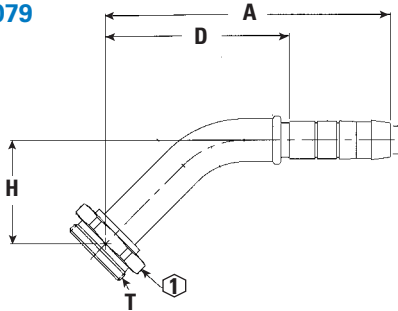
FJ2087



O-ring (short pilot)

NIPPLE PART #	SOCKET PART #	TH'D "T"	HOSE SIZE	A REF	D REF	F REF	H REF	REF
FJ2087-1212	1F07-12-S	—	12	3.94	2.18	—	—	—

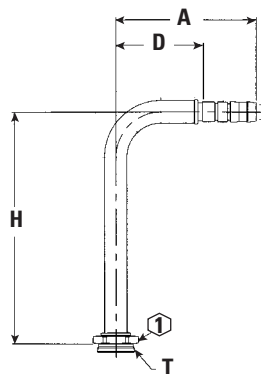
FJ2079



45° 5400 Coupling Thread

NIPPLE PART #	SOCKET PART #	TH'D "T"	HOSE SIZE	A REF	D REF	F REF	H REF	REF
FJ2079-1212S	1F07-12-S	1-1/4-18	12	4.97	3.21	—	1.80	1.06

FJ2077



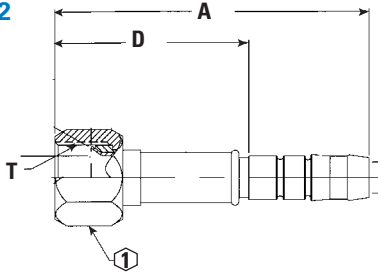
90° 5400 Coupling Thread

NIPPLE PART #	SOCKET PART #	TH'D "T"	HOSE SIZE	A REF	D REF	F REF	H REF	REF
FJ2077-05-1212	1F07-12-S	1-1/4-18	12	4.68	2.98	—	7.7	1.06

Factory Crimp Program

GH134/FC505

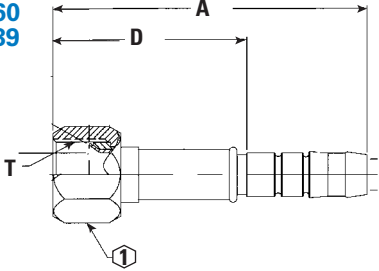
FJ3462



S.A.E. 37° Swivel

NIPPLE PART #	SOCKET PART #	TH'D "T"	HOSE SIZE	A REF	D REF	F REF	H REF	① REF
FJ3462-03-1212	1F07-12-S	1-1/16-12	12	4.65	2.89	—	—	1.06

FJ4960
FJ4189

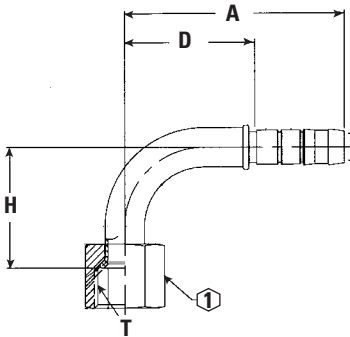


S.A.E. 45° Female Swivel

NIPPLE PART #	SOCKET PART #	TH'D "T"	HOSE SIZE	A REF	D REF	F REF	H REF	① REF
FJ4960-0404S	1F09-04-S	7/16-20	4	1.59*	0.92	—	—	0.5
FJ4189-07-0606S	1F07-06-S	5/8-18	6	2.90*	1.97	—	—	0.75
FJ4189-08-0808S	1F07-08-S	3/4-16	8	3.42*	2.49	—	—	0.88
FJ4189-03-1010S	1F07-10-S	7/8-14	10	4.52*	3.40	—	—	1.06
FJ4189-06-1012S	1F07-12-S	7/8-14	12	3.98*	2.81	—	—	1.06
FJ4189-04-1212S	1F07-12-S	1-1/16-14	12	4.89*	3.76	—	—	1.31

*Proposed Dimensions
Shaded items may not be in stock.

FJ4964
FJ4896

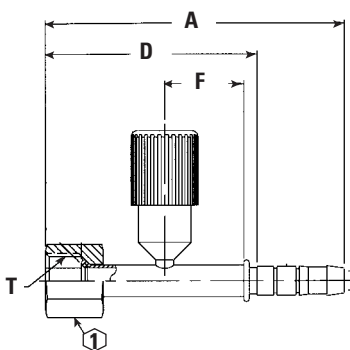


90° S.A.E. 45° Female Swivel

NIPPLE PART #	SOCKET PART #	TH'D "T"	HOSE SIZE	A REF	D REF	F REF	H REF	① REF
FJ4964-0404S	1F09-04-S	7/16-20	4	2.08	1.41	—	1.00	0.56
FJ4896-03-0606S	1F07-06-S	5/8-18	6	2.36*	1.42	—	1.25	0.75
FJ4896-04-0808S	1F07-08-S	3/4-16	8	2.61*	1.68	—	1.53	0.88
FJ4896-05-1010S	1F07-10-S	7/8-14	10	3.12*	2.00	—	1.78	1.06
FJ4896-06-1012S	1F07-12-S	7/8-14	12	3.10*	2.00	—	1.78	1.06
FJ4896-01-1212S	1F07-12-S	1-1/16-14	12	3.37*	2.25	—	2.10	1.31

*Proposed Dimensions
Shaded items may not be in stock.

FJ4897



S.A.E. 45° Swivel with High Side Charge Port

NIPPLE PART #	SOCKET PART #	TH'D "T"	HOSE SIZE	A REF	D REF	F REF	H REF	① REF
FJ4897-01-0606S	1F07-06-S	5/8-18	6	3.49	2.56	0.94	—	0.75
FJ4897-02-0808S	1F07-08-S	3/4-16	8	3.70	2.77	0.94	—	0.88
FJ4897-03-1010S	1F07-10-S	7/8-14	10	4.22	3.10	0.94	—	1.06

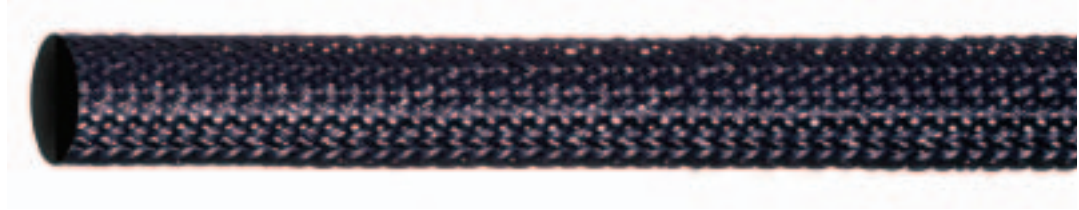
Shaded items may not be in stock.

Accessories



Accessories

Nylon Sleevings



Designed for abrasion protection of air conditioning hoses

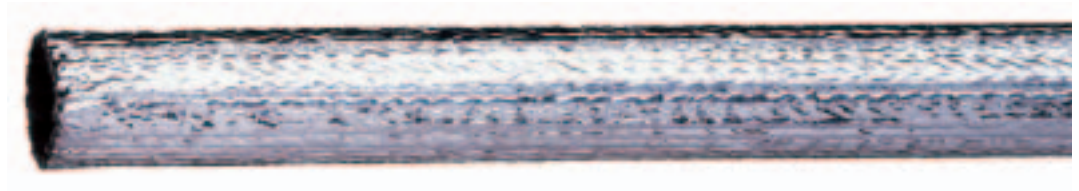
Features and Benefits

- Easy to cut and assemble
- Tight fit for tight spaces
- Nylon tie straps will hold in place (FF9349-22-150 for all sizes of sleeve)

HOSE SIZES	SLEEVE SIZE USED FOR GH134 (PART NUMBER)
GH134-6	FF90224-16
GH134-8	FF90224-16
GH134-10	FF90224-24
GH134-12	FF90224-24

PART NUMBER	SLEEVE WILL ACCEPT A HOSE WITH A	
	MAXIMUM OD OF	MINIMUM OD OF
FF90224-16	1.12	0.68
FF90224-24	1.93	1.18

Heat Sleevings



Designed for heat deflection of air conditioning hoses

Features and Benefits

- Fiberglass reinforced
- Wall thickness .025
- Protects from radiant heat to plus 400°C (review application with Eaton Sales Representative)
- Nylon tie straps will hold in place (FF9349-22-150 for all sizes)

FF90356 REFLECTIVE HEAT SLEEVE	CROSS DIAMETER SIZE (INCHES)	FOR GH134 AND FC505 HOSE SIZE
FF90356-01	1.00	-6 & -8
FF90356-02	1.25	-10 & -12
FF90356-04	0.75	-6
FF90356-05	0.62	-4
FF90356-06	1.50	-16

Accessories

Retaining Bracket

"Eaton introduces mechanical tube brackets!"

Eaton's new tube brackets have been designed specifically for a customer's unique bracketing requirements. The three-piece design begins with an EPDM grommet (figure 4), which minimizes tube friction, and "locks" the bracket onto the tube. This design withstands vibration in the toughest of environments, without slippage, and offers ease of fit up, that is often difficult with

welded brackets. To complete the assembly, the bracket top and bracket bottom, lock into place, with the ease of a flange screw.

To install the assembly, the bracket top and bracket bottom, lock into place, with the ease of a flange screw.

Part numbers for the grommet, bracket top and flange

screw are shown in the chart below. A sample of the connecting bracket, is shown in figure A.

Please contact your Eaton Sales Representative, or Eaton Applications Team to discuss additional designs that are currently available, or the opportunity to support a new design for your specific application.

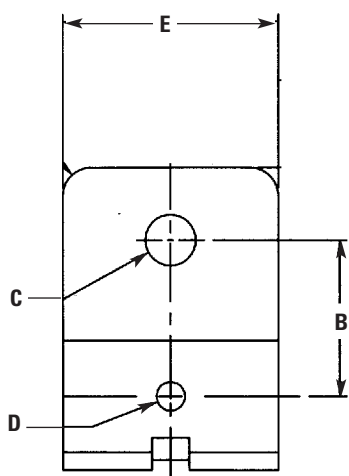


Figure 1 Bracket Top

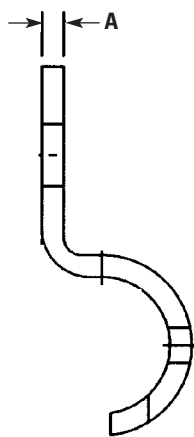


Figure 2 Bracket Top

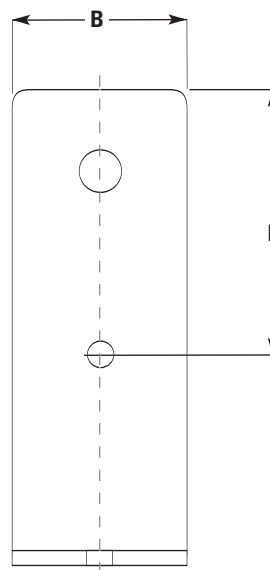


Figure 3 Base Bracket



Figure 4 Grommet

DESCRIPTION	PART NUMBER	TUBE SIZE USED ON	"A" BRACKET THICKNESS	"B" BRACKET RETAINER WIDTH	"C" BRACKET RETAINER HEIGHT	"D" BASE BRACKET LENGTH
Tube Grommet	FF90420-06	6	—	—	—	—
Tube Grommet	FF90420-08	8	—	—	—	—
Tube Grommet	FF90420-14	14	—	—	—	—
Flange Screw	FF90453	All	—	—	—	—
Bracket Top*	FF90421-06	6	2.5/.098	30/1.181	7/.276	—
Bracket Top*	FF90421-08	8	2.5/.098	30/1.181	7/.276	—
Bracket Top*	FF90421-14	14	2.5/.098	30/1.181	7/.276	—
Base Bracket**	FF90422-14	14	2.5/.098	30/1.181	—	54/2.13

* Figure 1 and 2

** Figure 3

Eaton
14615 Lone Oak Road
Eden Prairie, MN 55344
USA
Tel: 952 937-9800
Fax: 952 974-7722
www.hydraulics.eaton.com

Eaton
20 Rosamond Road
Footscray
Victoria 3011
Australia
Tel: (61) 3 9319 8222
Fax: (61) 3 9318 5714

Eaton
Dr.-Reckeweg-Str. 1
D-76532 Baden-Baden
Germany
Tel: (49) 7221 682-0
Fax: (49) 7221 682-788



Aeroquip

© 2005 Eaton Corporation
All Rights Reserved
Printed in USA
Document No. A-HOAC-MC001-E1
Supercedes A-HOAC-MC001-E
June 2005