



Fluid Conveyance Products for Primary Metals

Solutions Focus

Avoid Downtime with Eaton's Reliable Fluid Conveyance Products.

Eaton fluid conveyance products are known for their long history and class zero leakage connections.

Aeroquip® Matchmate™ uses a color coded assembly system which makes it easy to produce custom made, factory-quality hose assemblies fast, eliminating costly downtime. If your application requires more than hydraulic hose, Everflex® Teflon® hose is unmatched in fluid compatibility and temperature rating.

Walterscheid WALRing tube fittings combine the use of two-edge cutting and proven soft seal technology which exceed the industry and customer's expectations.

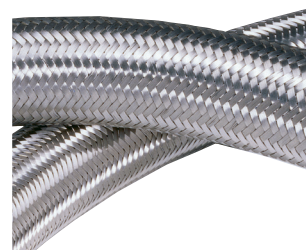
Eaton's through-the-cover (TTC) crimp provides a tight fit while eliminating the need for skiving hose. Aeroquip TTC and Weatherhead® WeatherGRIP™ fittings both offer this crimping style, which is ideal for high pressure and demanding applications.



HOSE

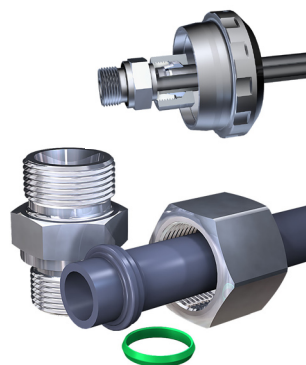
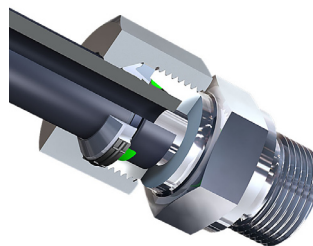
• MatchMate

• PTFE Hose



WALTERSCHEID TUBE FITTINGS

• WALPro, WALRing and WALFORMplus



HYDRAULIC HOSE FITTINGS

• TTC

• WeatherGRIP



Eaton
Hydraulics Operations USA
14615 Lone Oak Road
Eden Prairie, MN 55344
USA
Tel: 952-937-9800
Fax: 952-294-7722
www.hydraulics.eaton.com

Eaton
Hydraulics Operations Europe
Route de la Longeraie 7
1110 Morges
Switzerland
Tel: +41 (0) 21 811 4600
Fax: +41 (0) 21 811 4601

Eaton
Hydraulics Operations Asia Pacific
11th Floor Hong Kong New World Tower
300 Huaihai Zhong Road
Shanghai 200021
China
Tel: 86-21-6387-9988
Fax: 86-21-6335-3912

