

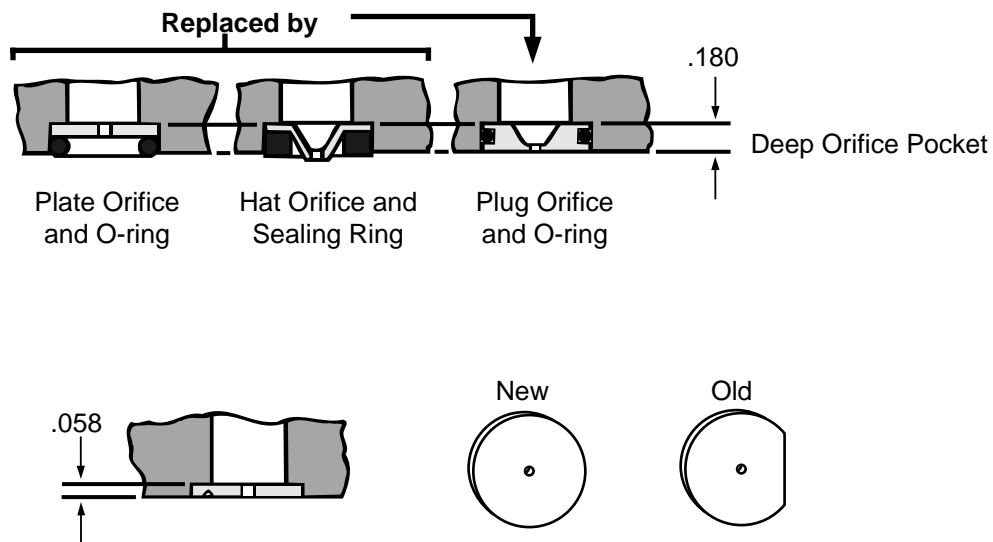
Service Bulletin

No. 1221

January 16, 1989

To: Eaton® Heavy Duty Distributors and OEM Customers

Subject: Change in Control Valve Orifices used in Heavy Duty Hydrostatic Transmissions



The orifices used in control valves that have deep orifice pockets have been redesigned. See drawing below:

The plate orifice has been changed; The new plate orifice is circular. See drawing below:

An orifice kit is available; P/N 990490-XXX. This kit contains both a plug orifice and a plate orifice so it will update all control valves regardless of orifice pocket depth. The kit also contains a new control valve gasket and installation instructions. When ordering the kit indicate the desired orifice size with the last three digits of the part number.

Chuck Peters
Service Manager

Eaton Corporation
Hydraulics Division
15151 Hwy. 5
Eden Prairie, MN 55344
Telephone 612/937-9800
Fax 612/937-7130

Eaton Ltd.
Hydraulics Division
Glenrothes, Fife
Scotland, KY7 4NW
Telephone 01-592-771-771
Fax 01-592-773-184

Eaton GmbH
Hydraulics Products
Am Schimmersfeld 7
40880 Ratingen, Germany
Telephone 02102-406-830
Fax 02102-406-800



Quality System Certified
Products in this catalog are manufactured
in an ISO-9001-certified site.

EAT•N