

# Service Bulletin

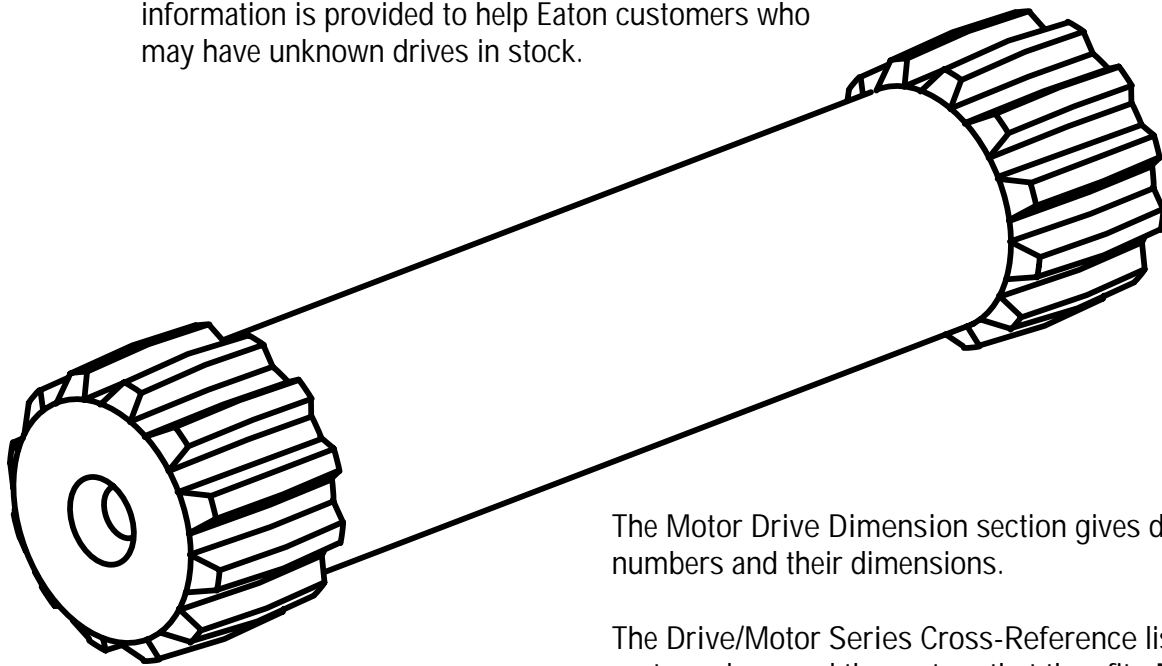
## Char-Lynn® Hydraulic Motor Drives

---

No. 1100  
Revised October, 1993



This document contains information that will allow the reader to identify Char-Lynn hydraulic motor drives and the motors into which they fit. This information is provided to help Eaton customers who may have unknown drives in stock.



The Motor Drive Dimension section gives drive part numbers and their dimensions.

The Drive/Motor Series Cross-Reference lists drive part numbers and the motors that they fit. Motors are identified by series, revision number and displacement.

# Motor Drive Dimensions

Drive Part Number	Figure Number	Dim. A	Dim. B	Dim. C
602 - 000	1	1.05	3.00	.70
616 - 000	1	1.05	3.22	.80
6167 - 000	2	1.68	7.41	1.44
6221 - 000	1	1.68	6.68	1.40
6395 - 000	1	1.68	6.19	1.40
6610 - 000	4	1.05	3.81	.94
6611 - 000	4	1.05	4.10	.94
6947 - 000	1	1.26	3.58	.89
6948 - 000	1	1.26	3.75	.89
6949 - 000	1	1.26	3.91	.89
7004 - 000	1	1.49	4.20	1.07
7005 - 000	1	1.49	4.34	1.07
7006 - 000	1	1.49	4.55	1.07
8161 - 000	1	1.05	3.52	.70
8289 - 000	1	1.06	3.45	.78
8359 - 000	1	1.06	3.73	.78
8360 - 000	1	1.06	4.10	.78
8361 - 000	1	1.06	4.54	.78
8634 - 000	1	1.05	4.23	.79
8664 - 000	1	1.05	3.61	.80
201111 - 001	1	1.05	3.10	.72
201111 - 002	1	1.05	3.33	.80
201111 - 003	1	1.05	3.49	.77
201111 - 004	1	1.05	3.70	.80
201111 - 005	1	1.05	3.90	.82
201111 - 006	1	1.05	4.16	.82
201111 - 007	1	1.05	4.52	.83
201111 - 008	1	1.05	4.97	.84
201111 - 009	1	1.05	5.43	.86
21371 - 004	1	1.06	3.42	.77
21371 - 005	2	1.06	3.68	.80
21371 - 006	2	1.06	4.04	.82
21371 - 007	3	1.06	4.49	.84
21371 - 008	3	1.06	5.12	.85
21371 - 009	1	1.06	2.99	.76
21371 - 010	1	1.06	3.17	.76
21371 - 012	3	1.06	5.83	.89
21372 - 001	1	1.29	3.49	.96
21372 - 002	1	1.29	3.66	.96
21372 - 004	2	1.29	4.23	1.00
21372 - 005	2	1.29	4.65	1.00
21372 - 007	1	1.29	5.12	1.00
21372 - 008	1	1.29	5.83	1.12
21373 - 001	1	1.51	4.14	1.11
21373 - 002	1	1.51	4.36	1.11
21373 - 003	2	1.51	4.65	1.20
21373 - 004	2	1.51	5.00	1.20
21373 - 005	2	1.51	5.44	1.20
21373 - 006	2	1.51	7.59	1.20
22189 - 000	1	1.05	3.77	.82
22190 - 000	1	1.05	4.02	.82
22191 - 000	1	1.05	4.77	.82
22250 - 000	1	1.05	3.15	.69
22251 - 000	1	1.05	3.40	.76
22252 - 000	1	1.05	3.54	.79
22253 - 000	1	1.05	3.50	.82
23961 - 001	2	1.05	5.57	.93

Figure 1

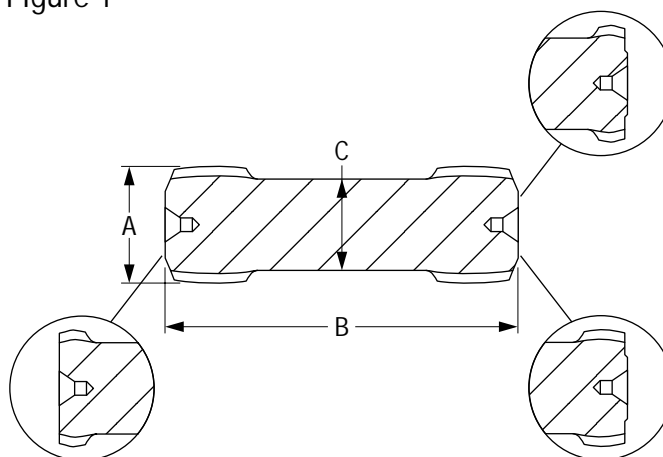


Figure 2

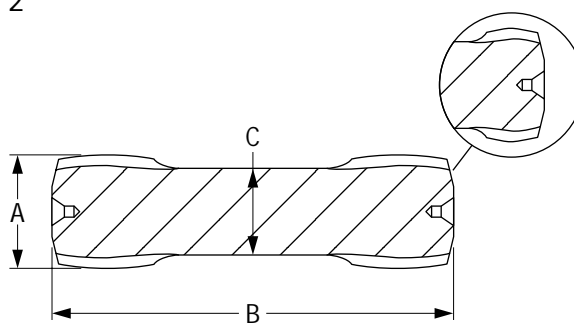


Figure 3

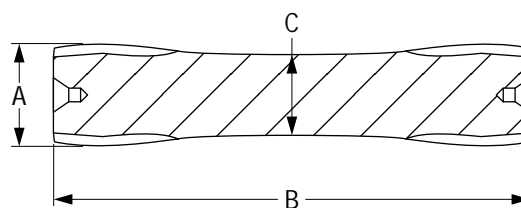
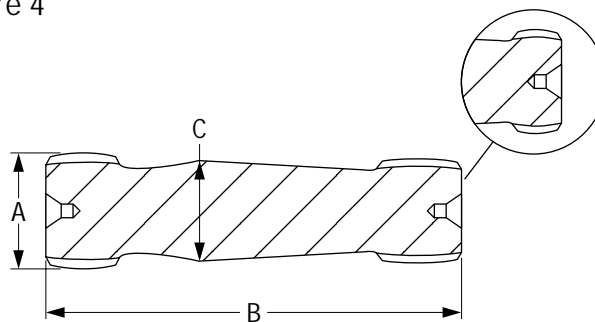


Figure 4



# Drive/Motor Series Cross-Reference

Drive Part Number	Motor Series	Revision Number	Displ.		Drive Part Number	Motor Series	Revision Number	Displ.	
			in <sup>3</sup>	cm <sup>3</sup>				in <sup>3</sup>	cm <sup>3</sup>
602 - 000	A	3	2.2	36	201111 - 003	S	11	6.2	102
602 - 000	H	9	2.2	36	201111 - 004	R	2	8.0	131
602 - 000	R	1, 2	2.2	36	201111 - 004	S	11	8.0	131
602 - 000	S	11	2.2	36	201111 - 005	R	2	9.6	157
602 - 000	A	1, 2, 3	2.8	46	201111 - 005	S	11	9.6	157
602 - 000	H	9	2.8	46	201111 - 006	R	2	11.9	195
602 - 000	H	5, 7	3.0	49	201111 - 006	S	11	11.9	195
602 - 000	R	1	3.0	49	201111 - 007	R	2	14.9	244
602 - 000	A	1, 2	4.2	69	201111 - 007	S	11	14.9	244
602 - 000	S	10	4.2	69	201111 - 008	R	2	18.7	306
602 - 000	H	5, 7, 8	4.5	74	201111 - 008	S	11	18.7	306
602 - 000	S	8, 9	5.8	95	201111 - 009	S	11	22.6	370
616 - 000	R	1, 2	4.0	66	201111 - 009	R	2	24.0	393
616 - 000	S	11	4.0	66	21371 - 004	2000	5, 6	8.0	130
616 - 000	R	1	4.9	80	21371 - 004	2000	4, 5, 6	9.6	155
616 - 000	A	1, 2, 3	5.9	97	21371 - 005	2000	4, 5, 6	11.9	195
616 - 000	H	9	5.9	97	21371 - 006	2000	4, 5, 6	14.9	245
616 - 000	S	10	5.9	97	21371 - 007	2000	4, 5, 6	18.7	305
616 - 000	H	5, 7, 8	6.2	102	21371 - 008	2000	4, 5, 6	24.0	393
616 - 000	A	1, 2	9.7	159	21371 - 009	2000	5, 6	4.9	80
616 - 000	S	8, 9	9.7	159	21371 - 010	2000	5, 6	6.2	100
616 - 000	H	5, 7	10.3	169	21371 - 012	2000	6	30.0	490
616 - 000	S	8, 9	11.7	192	21372 - 001	4000	4, 6	6.7	110
616 - 000	H	5, 7	11.9	195	21372 - 002	4000	4, 6	7.9	130
616 - 000	H	5, 7	14.9	244	21372 - 003	4000	4, 6	9.9	160
616 - 000	H	7	16.9	277	21372 - 003	4000	4, 6	15.0	245
616 - 000	H	5	17.9	293	21372 - 004	4000	4, 6	12.5	205
616 - 000	H	5, 7	23.8	390	21372 - 004	4000	4, 6	19.0	311
6167 - 000	10,000	2, 3, 4	57.4	940	21372 - 005	4000	4, 6	24.0	393
6221 - 000	10,000	2, 3, 4	29.3	480	21372 - 007	4000	4, 6	30.0	495
6221 - 000	10,000	2, 3, 4	40.6	665	21372 - 008	4000	4, 6	38.0	495
6395 - 000	10,000	2, 3, 4	21.0	345	21373 - 001	6000	5	11.9	195
6610 - 000	S	7	5.8	95	21373 - 002	6000	5	15.0	245
6611 - 000	S	7	9.7	160	21373 - 003	6000	5	19.0	311
6947 - 000	4000	3	6.6	108	21373 - 004	6000	5	23.9	392
6947 - 000	4000	3	10.0	164	21373 - 005	6000	5	29.9	490
6948 - 000	4000	3	12.0	197	21373 - 006	6000	5	59.9	982
6949 - 000	4000	3	14.0	230	22189 - 000	R	1	9.6	157
6949 - 000	4000	3	17.0	279	22189 - 000	A	3	11.3	185
7004 - 000	6000	2, 3, 4	12.0	197	22189 - 000	H	9	11.3	185
7005 - 000	6000	2, 3, 4	14.0	229	22189 - 000	S	10	11.3	185
7006 - 000	6000	2, 3, 4	17.0	279	22189 - 000	S	8, 9	22.5	369
7006 - 000	6000	2, 3, 4	20.0	328	22190 - 000	R	1	11.9	195
7006 - 000	6000	2, 3, 4	24.0	393	22190 - 000	A	1	14.1	231
7006 - 000	6000	2, 3, 4	30.0	492	22190 - 000	H	9	14.1	231
8161 - 000	S	7	4.2	69	22190 - 000	S	10	14.1	231
8289 - 000	2000	3	9.6	155	22191 - 000	R	1	18.7	306
8359 - 000	2000	3	11.9	195	22191 - 000	A	3	22.6	370
8360 - 000	2000	3	14.9	245	22191 - 000	H	9	22.6	370
8361 - 000	2000	3	18.7	305	22191 - 000	S	10	22.6	370
8634 - 000	S	7	11.2	183	22250 - 000	A	3	3.6	59
8634 - 000	S	7	14.0	229	22250 - 000	H	9	3.6	59
8634 - 000	S	7	16.9	277	22250 - 000	S	10	3.6	59
8634 - 000	S	7	22.5	369	22250 - 000	A	3	4.5	74
8664 - 000	R	1	8.0	131	22250 - 000	H	9	4.5	74
8664 - 000	A	3	9.7	160	22250 - 000	S	10	4.5	74
8664 - 000	H	9	9.7	160	22251 - 000	R	1	6.2	102
8664 - 000	S	10	9.7	160	22251 - 000	A	3	7.3	120
8664 - 000	H	8	10.3	169	22251 - 000	H	9	7.3	120
8664 - 000	H	8	11.9	195	22251 - 000	S	10	7.3	120
8664 - 000	H	9	14.9	244	22251 - 000	S	8, 9	14.0	229
8664 - 000	H	8	16.9	277	22252 - 000	A	3	8.9	146
8664 - 000	S	8, 9	16.9	277	22252 - 000	H	9	8.9	146
8664 - 000	H	8	23.8	390	22252 - 000	S	10	8.9	146
201111 - 001	R	2	3.0	49	22253 - 000	R	1	14.9	244
201111 - 001	S	11	3.0	49	22253 - 000	A	3	17.9	293
201111 - 002	R	2	4.9	80	22253 - 000	H	9	17.9	293
201111 - 002	S	11	4.9	80	22253 - 000	S	11	17.9	293
201111 - 003	R	2	6.2	102	23961 - 001	R	1	24.0	393

Eaton Corporation  
**Hydraulics Division**  
15151 Hwy. 5  
Eden Prairie, MN 55344  
Telephone 612/937-9800  
Fax 612/937-7130

Eaton Ltd.  
**Hydraulics Division**  
Glenrothes, Fife  
Scotland, KY7 4NW  
Telephone 44/592-771-771  
Fax 44/592-773-184

