

Service Bulletin

Eaton® Transaxles

No. SB000501
May, 2000



To: Eaton Transaxle Distributors

Subject: **Discontinued** — Transaxles 750, 850, 780, and 770

The early Transaxles 750, 850, 780, and 770 had been in production from 1988 to 1991. Replacement parts on these units are no longer available. Transaxles 751, 851, 781 and 771 are available as replacement units. However, these units will not bolt on without some modifications.

Some of the differences are:

- Input shaft diameter is 17mm not 3/4 inch.
- Parking brake linkage connections and actuation angles differ.
- Differential lock is no longer an available option.
- Axle mounting points are similar but mounting hole modifications are required.

Reservoir connections, control shaft and axle diameters are common between the old units and the replacement transaxles.

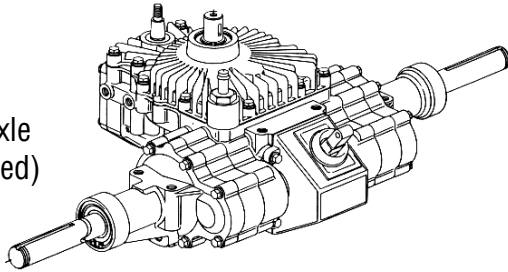
Eaton Hydraulics Catalog 11-888 for 751, 851, 781 and 771 Transaxle includes specifications, dimensions, axle shaft detail, model code, expansion tank or reservoir options plus sources for complementary components.

This catalog can be seen and printed from the www.eatonhydraulics.com website <http://www.eatonhydraulics.com/products/pdfs/trans/11-888.pdf> or catalogs can be ordered from Wallace Printing (telephone number 877 272-1293).

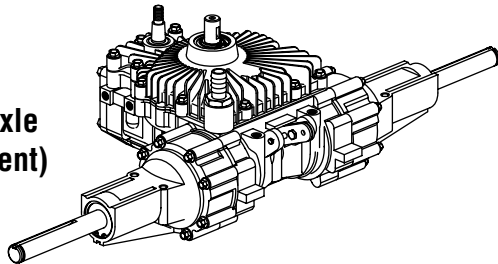


Discontinued and Replacement Transmission — Some Rework Required

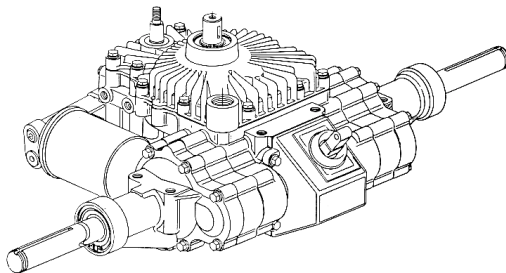
750 Transaxle
(Discontinued)



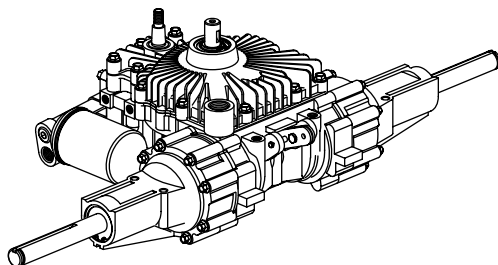
751 Transaxle
(Replacement)



850 Transaxle
(Discontinued)



851 Transaxle
(Replacement)



Transaxle Cross-Reference

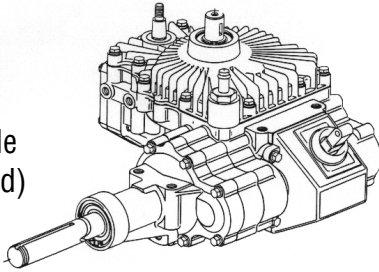
750 Series	750 Series (August 1990)	751 Series
3/4 Inch Input	17mm Input	17mm Input
750-017	750-033	751-052
750-018	750-033	751-052
750-019	750-032	751-042
	750-035	751-046
	750-034	751-045

Transaxle Cross-Reference

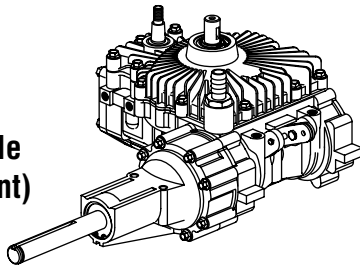
850 Series	850 Series (August 1990)	851 Series
3/4 Inch Input	17mm Input	17mm Input
850-000	850-037	851-065
850-002	850-038	851-093
850-003	850-039	851-097
850-007	850-043	851-096
850-011	850-047	851-098
850-014	850-050	851-102
850-019	850-055	851-088
850-020	850-056	851-089
850-023	850-059	851-108
850-026	850-062	851-105
850-030	850-066	851-106
850-031	850-067	851-090
850-034	850-070	851-095
	850-073	851-092
	850-075	851-094
	850-077	851-095
	850-078	851-086
	850-080	851-091

Discontinued and Replacement Transmission — Some Rework Required

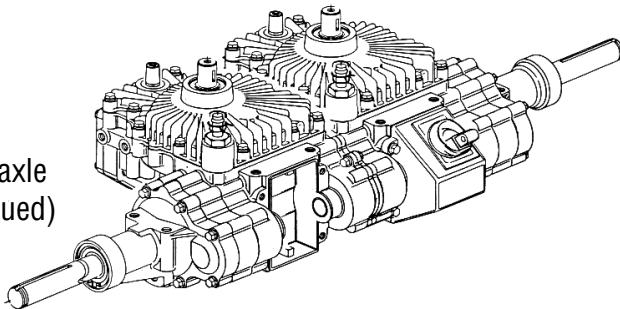
**770 Transaxle
(Discontinued)**



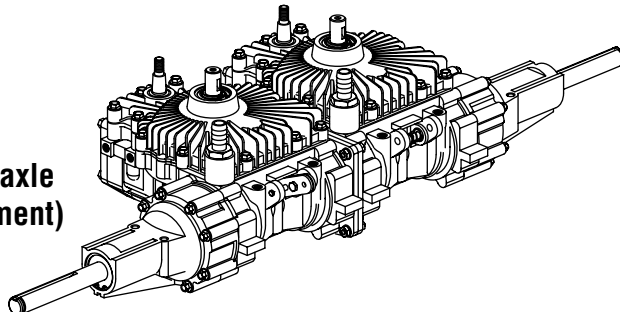
**771 Transaxle
(Replacement)**



**780 Transaxle
(Discontinued)**



**781 Transaxle
(Replacement)**



Transaxle Cross-Reference

770 Series	770 Series (August 1990)	771 Series
3/4 Inch Input	17mm Input	17mm Input
770-000	770-012	771-034
770-001	770-013	771-035
770-002	770-014	771-036
770-003	770-015	771-036
770-008	770-020	771-034
770-009	770-021	771-035
770-010	770-022	771-044
770-011	770-023	771-045
	770-026	771-036
	770-027	771-037
	850-028	771-040
	850-029	771-041

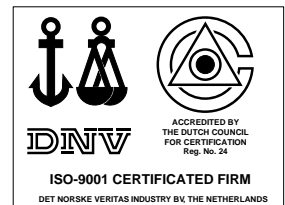
Transaxle Cross-Reference

780 Series	780 Series (August 1990)	781 Series
3/4 Inch Input	17mm Input	17mm Input
780-002	780-007	781-018
780-003	780-008	781-015
		781-016

Information contained in this catalog is accurate as of the publication date and is subject to change without notice. Performance values are typical values. Customers are responsible for selecting products for their applications using normal engineering methods.

Eaton Hydraulics
14615 Lone Oak Road
Eden Prairie, MN 55344
Telephone: 952 937-7254
Fax: 952 937-7130
www.eatonhydraulics.com

46 New Lane, Havant
Hampshire PO9 2NB
England
Telephone: (44) 170-548-6451
Fax: (44) 170-548-7110



Quality System Certified
Products in this catalog are
manufactured in an
ISO-9001-certified site.