



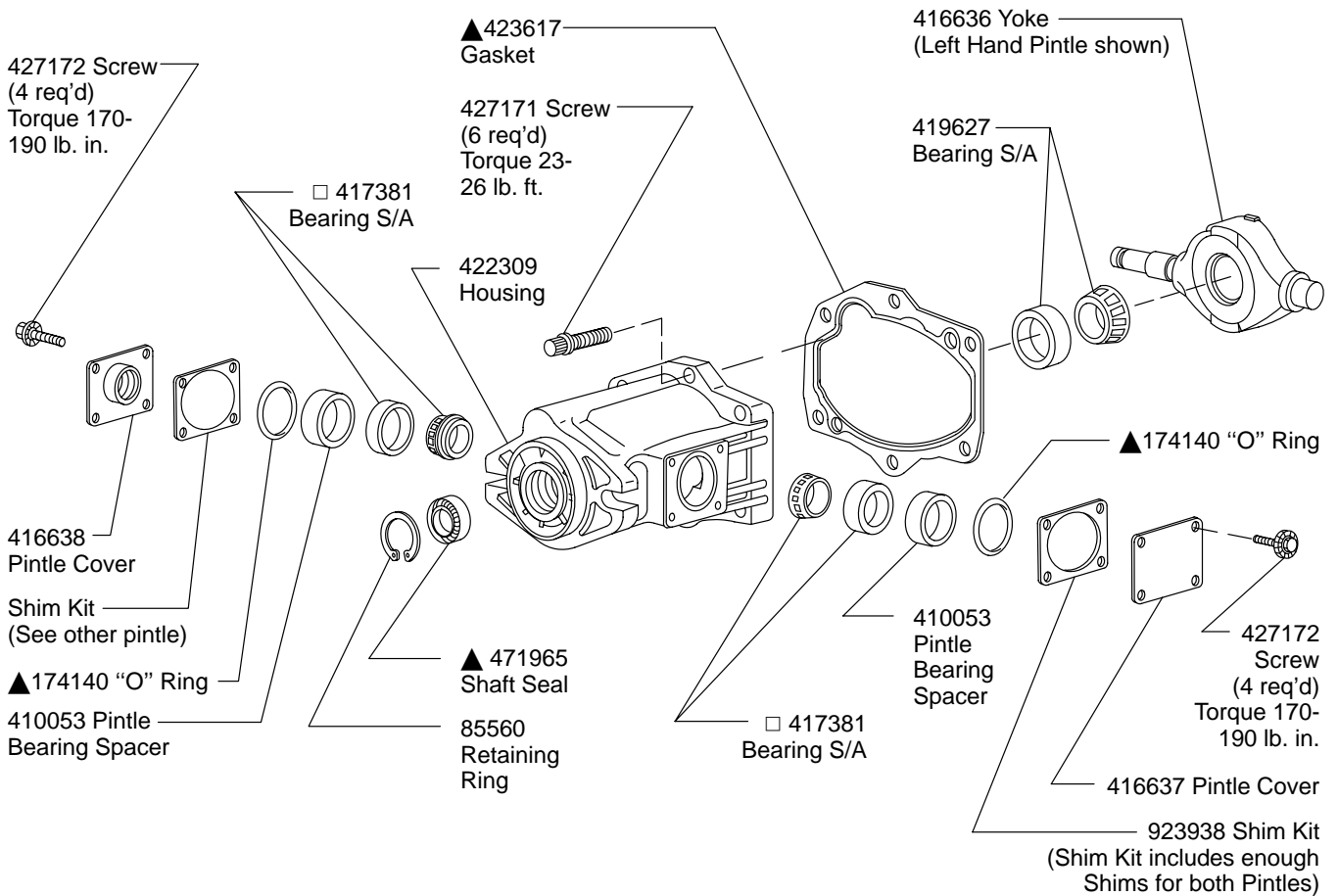
# Variable Displacement Transmission Motors

MVE-19(X)\*\*\*-30

# MVE19(X)-\*\*\*-30

Included in	
■ Rotating Group	923941
Pintle Shim Kit	923938
Bearing Spacer Kit	942401
▲ Seal Kit	923940

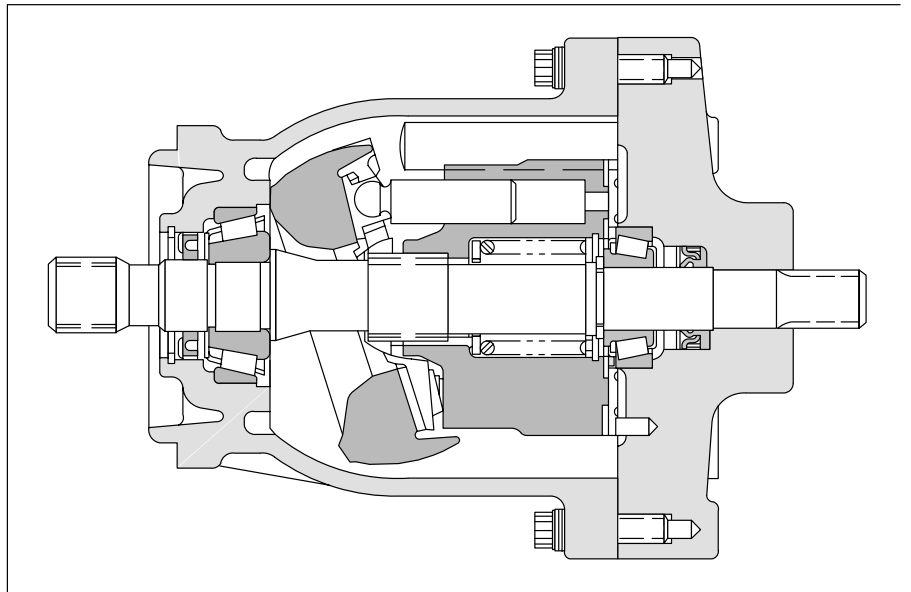
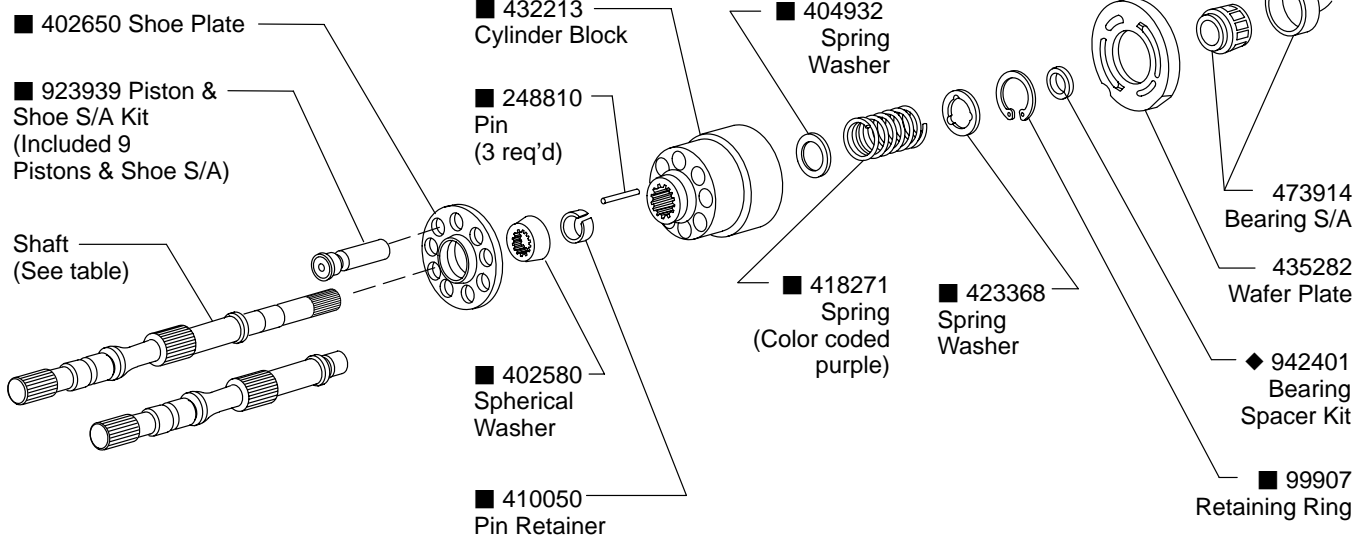
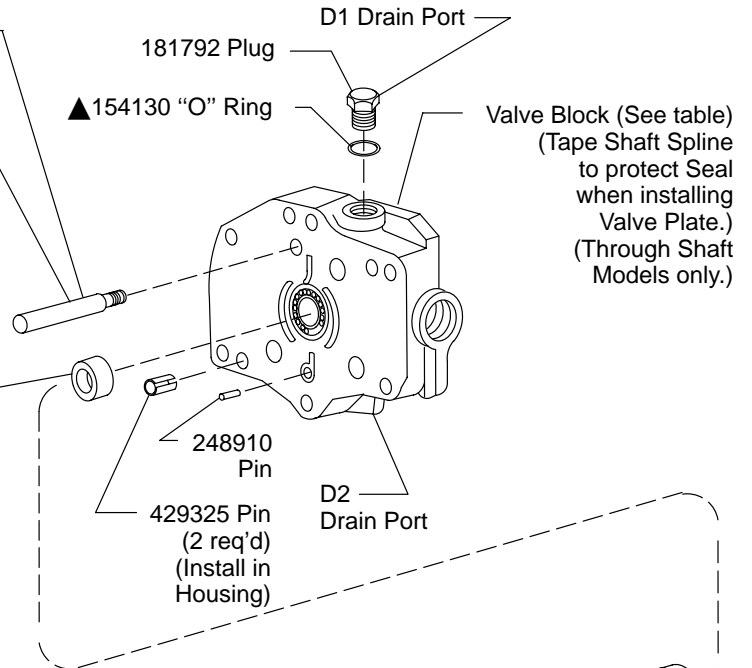
Model	Shaft	Valve Block
MVE19-2-**-30	423415	429728
MVE19-6-**-30	435305	
MVE19-9-**-30	424544	
MVE19-17-**-30	575302	
MVE19X-2-**-30	423419	435284
MVE19X-9-**-30	576788	



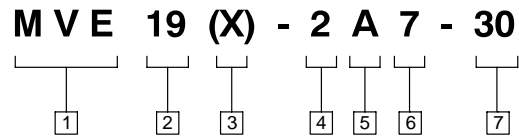
Yoke Stop (Refer to Model Code)  
Torque to 40-46 lb. ft. (Bond using  
Loctite Grade 271 Compound)

Model	Length	Yoke Angle	Part
MVE19*-**0-30	3.553	0° to 1° 20'	427364
MVE19*-**7-30	3.782	7°	416670
MVE19*-**9-30	3.853	9°	428863
MVE19*-**11-30	3.923	11°	420935
MVE19*-**13-30	3.992	13°	422227
MVE19*-**15-30	4.062	15°	428858

▲ 419671 Shaft Seal  
(MVE19X Models only)  
Face Spring toward Bearing.  
Press until Seal bottoms  
against the shoulder.



# Model Code



**1 Model Series**

**MVE** - Motor, variable displacement, inline piston unit

**2 Flow Rating**

@ 1800 rpm

**19** -19 USgpm

**3 Thru Shaft**

**25T** -32/64P (Flat root side fit, omit for standard single ended shaft)

**4 Input Shaft**

**2** - SAE B-B splined

**5 Lever Control Options**

(Viewed from shaft end with D1 drain port up)

**A** - Right hand

**B** - Left hand

**6 Min. Displacement Angle**

(Variable units only)

**7** - 7°   **13** - 13°   **11** - 11°   **0** - 0°

**9** - 9°   **15** - 15°

**7 Design**

For satisfactory service life of these components in industrial applications, use full flow filtration to provide fluid which meets ISO cleanliness code 20/18/15 or cleaner. Selections from Eaton OFF, OFR, and OFRS series are recommended.