

Service Data

Vickers®

Vane Motors



Vane Motors

M2U Series - 10 Design



Revised 11/01/85

M-2711-S

Model Designation	Seal Kit	"O" Ring (2 req'd)
		Serviced in Seal Kit
M2U-****- 1*10	922732	154090
M2U-****- 3*10	922733	
M2U-****-11*10	922732	

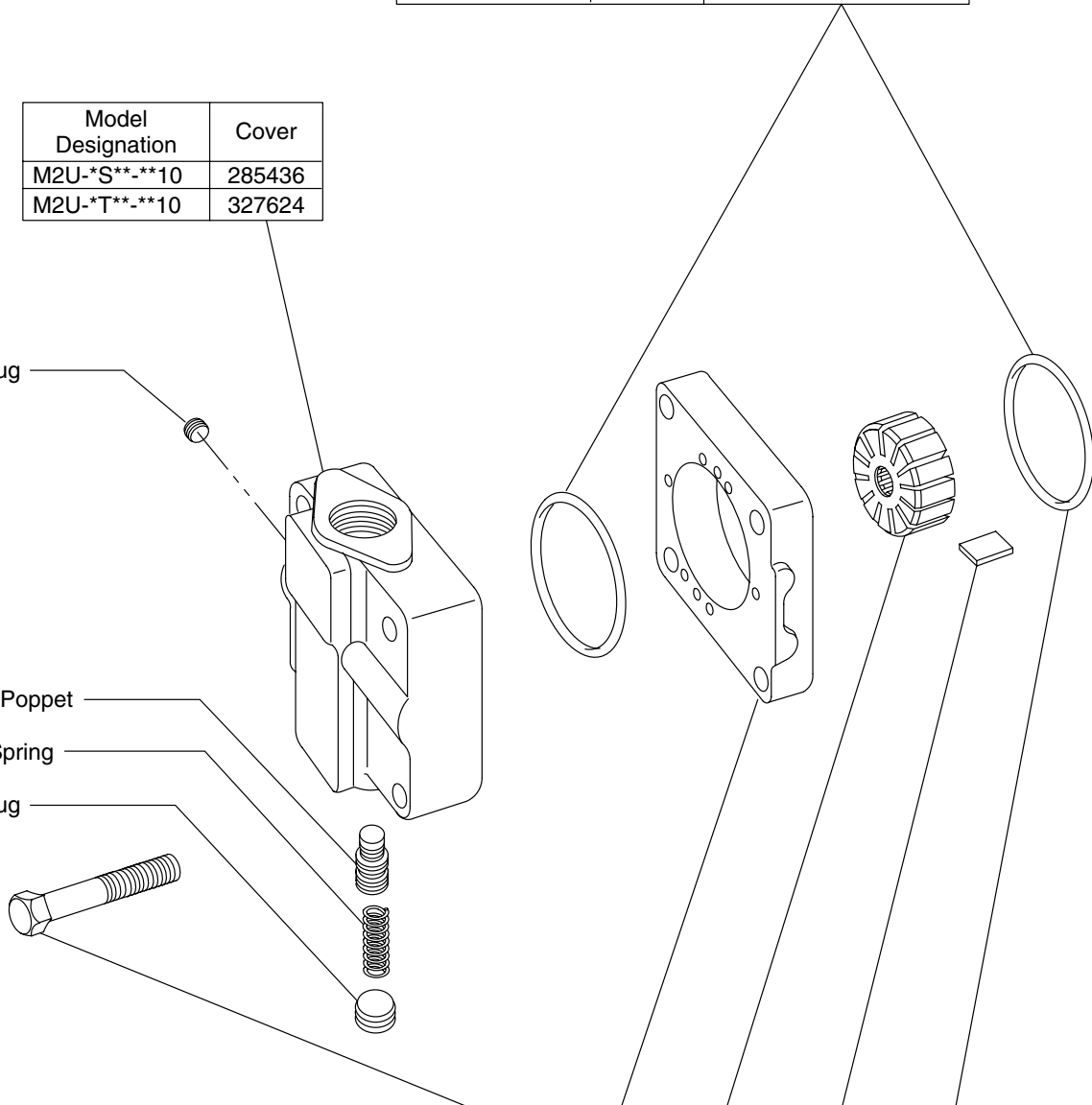
Model Designation	Cover
M2U-*S**-**10	285436
M2U-*T**-**10	327624

7076 Plug

280719 Poppet

25896 Spring

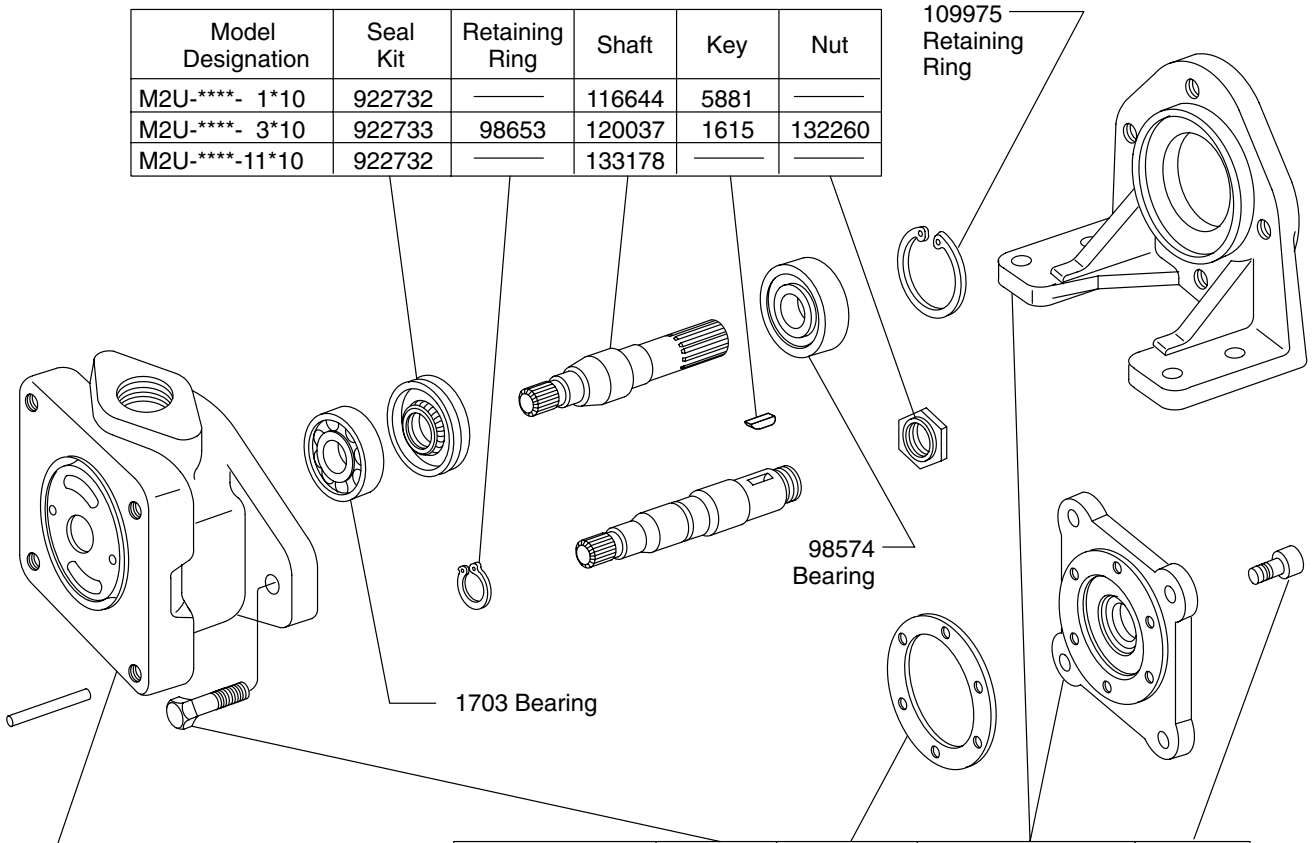
7078 Plug



Model Designation	Screw (4 req'd) Oil & Torque to 70 ± 5 lbf. ft	Ring	Rotor	Vane Kit (12 Vanes)	"O" Ring (2 req'd)	Cartridge Kit
		Serviced in Cartridge Kit				
M2U-**15*-**10	131486	293587	172302	912031	154090	923057
M2U-**18*-**10		288833				922929
M2U-**25*-**10	1319	288835	172294	912032		922930
M2U-**35*-**10		288837	215043	922568		922931

Include Complete Model Number on All Parts Orders

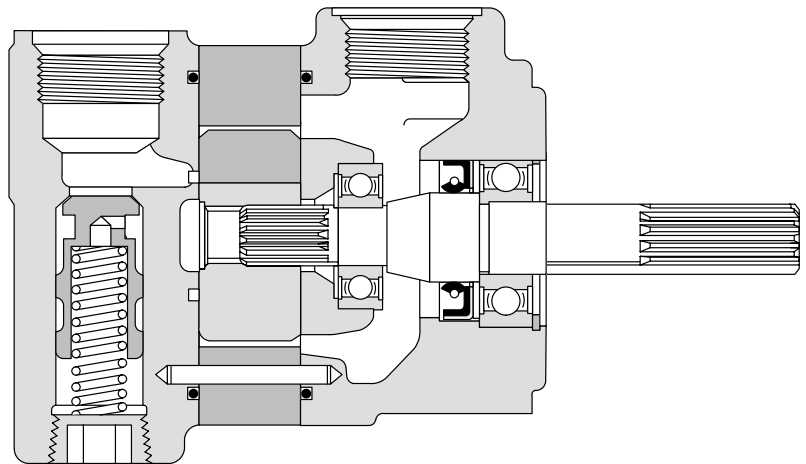
Model Designation	Seal Kit	Retaining Ring	Shaft	Key	Nut
M2U-****- 1*10	922732	————	116644	5881	————
M2U-****- 3*10	922733	98653	120037	1615	132260
M2U-****-11*10	922732	————	133178	————	————



Body	Model Designation
119375	M2U- 1**P-**10
162250	M2U- 1**S-**10
116655	M2U- 1**F-**10
119986	M2U- 4**P-**10
286629	M2U- 4**S-**10

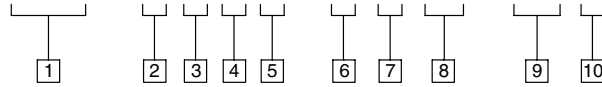
Model Designation	Screw	Seal	Mounting Bracket	Screw
M2U-2***-**10	177939 (2 req'd)	————	Foot Bkt. FB-A-10 (Includes Screws)	————
M2U-3***-**10	————	("O" Ring) 154084	(Flange) 128893	1272-A (2 req'd)
M2U-5***-**10	————	(Gasket) 2546	(Flange) 131966	1070 (6 req'd)

Assembly View



Model Code

M2U - * * * * - * * 10 - * L**



1 Model Series

M2U - Vane type motor, M200 size
Unidirectional rotation

2 Motor Mounting

- 1 - 2 bolt
- 2 - Foot Mount
- 3 - Power take-off
- 4 - Face
- 5 - Flange
- 6 - Foot integral with body

3 Inlet Port Configuration

- P** - Pipe thread
- S** - 1.312-12 SAE straight thread
- F** - 2 bolt flange (no flanges)
- T** - 1.062-12 SAE straight thread

4 Ring Capacity

(lbf. in. per 100 PSI)

- 15** - 15
- 18** - 18
- 25** - 25
- 35** - 35

5 Outlet Port

- P** - 1.00 NPT
- S** - 1.312-12 SAE straight thread
- F** - 2 bolt flange (no flanges)
- T** - 1.062-12 SAE straight thread

6 Shaft Type

- 1** - Straight keyed
- 3** - Threaded (engine drive)
- 11** - Splined

7 Cover Position

(Viewed from cover end)

- A** - Opposite outlet connection
- C** - Inline with outlet connection

8 Design Number

10

9 Special Feature

- 10 Left Hand Rotation**
(Omit for right hand rotation)

For satisfactory service life of these components in industrial applications, use full flow filtration to provide fluid which meets ISO cleanliness code 20/18/15 or cleaner. Selections from Eaton OFP, OFR, and OFRS series are recommended.