

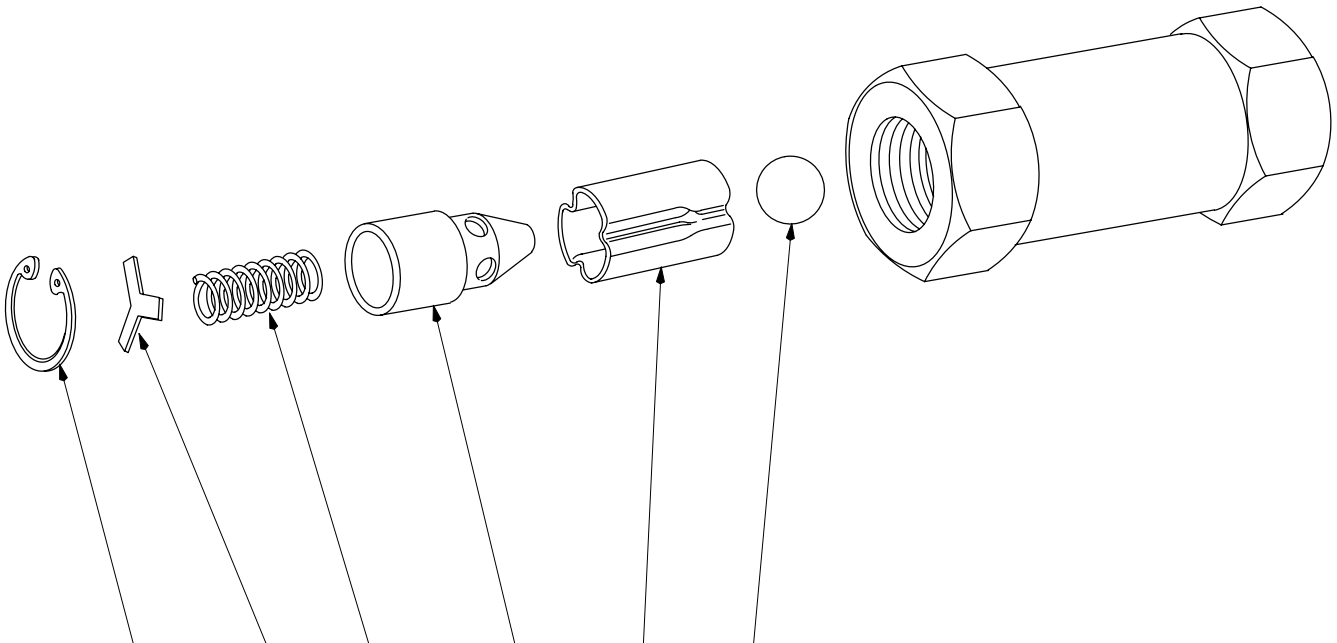
# Check Valves



## Inline Check Valve

DT8P1-10/-11  
DS8P1-10/-11

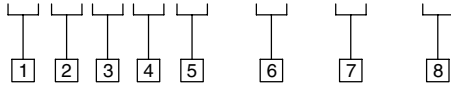
Body sold as an assembly only.  
Order by model number.



Retaining Ring	Washer	Spring	Poppet	Sleeve	Ball	Pipe Size	Cracking Pressure PSI	Model
92733	113714	113559	—	113715	1651	1/4	5	DT8P1-02-5-10
		216999					30	DT8P1-02-30-10
		114094					65	DT8P1-02-65-10
106642	123740	123761	123737	—	—	3/8	5	D*8P1-03-5-10
		217000					30	DT8P1-03-30-10
		123760					65	D*8P1-03-65-10
98702	125673	125779	125674	—	—	3/4	5	D*8P1-06-5-11
		222541					15	D*8P1-06-15-11
		418556					20	DT8P1-06-20-11
		216998					30	D*8P1-06-30-11
		425262					40	DT8P1-06-40-11
		580963					50	DT8P1-06-50-11
113752	125635	125780	125634	—	—	1-1/4	65	D*8P1-06-65-11
		125631					5	D*8P1-10-5-11
		312094					15	DT8P1-10-15-11
		216548					30	DT8P1-10-30-11
		257354					50	DT8P1-10-50-11
		125632					65	D*8P1-10-65-11
		582338					95	DT8P1-10-95-11

# Model Code

**D \* 8 P 1 - \*\* - \*\* - 1\***



**1 Model Series**

Directional control

**2 Mounting Connection**

**S** - Straight threaded  
**T** - Pipe threaded

**3 Valve Type**

**8** - Inline

**4 Spool Action**

**P** - Poppet

**5 Flow Direction**

**1** - One way flow

**6 Valve Size Series**

**02** - 1/4 inch  
**03** - 3/8 inch  
**06** - 3/4 inch  
**10** - 1-1/4 inch

**7 Cracking Pressure**

**5** - 5 PSI  
**15** - 15 PSI  
**20** - 20 PSI  
**30** - 30 PSI  
**35** - 35 PSI  
**40** - 40 PSI  
**50** - 50 PSI  
**65** - 65 PSI  
**95** - 95 PSI

**8 Design**

For satisfactory service life of these components, use full flow filtration to provide fluid which meets ISO cleanliness code 16/13 or cleaner. Selections from pressure, return, and in-line filter series are recommended.