

Service Data

Vickers®

# Directional Controls

---



## Hydraulically Operated Directional Control Valve

DG3V3-3-\*\*-\*(l)-(t)-(P1)-7-\*-60



Released 10-01-91

I-3895-S

SPOOL/SRING ARRANGEMENT	DRAIN TYPE	
	INTERNAL	EXTERNAL
	SPOOL NO.	SPOOL NO.
□ 0A	694537	694492
0B	694540	694435
0C	—	694435
0F	694540	—
0N	—	694494
□ 2A	694538	698839
2B	694541	698841
2C	—	698841
2F	694541	—
2N	—	698842
◆ 3B	694542	694436
◆ 3C	—	694436
◆ 3F	694542	—
□ 6A	694539	694493
6B	694543	694437
6C	—	694437
6F	694543	—
6N	—	694495
◇ 0	—	694492
◇ 2	—	698839
◇ 6	—	694493
33B	694544	694438
33C	—	694438
33F	694544	—

MODEL	D PLUG (qty.)
DG3V-3-**-7-B-60	694535 (2)
DG3V-3-**-7-S-60	694536 (2)
DG3V-3-**A-7-B-60	694535 (2)
DG3V-3-**A-7-S-60	694536 (2)
DG3V-3-**A-T-7-B-60	694535 (1)
DG3V-3-**A-T-7-S-60	694536 (1)
DG3V-3-**A-T-P1-7-B-60	694535 (1)
DG3V-3-**A-T-P1-7-S-60	694536 (1)
DG3V-3-**B-7-B-60	694536 (2)
DG3V-3-**B-7-S-60	694536 (2)
DG3V-3-**B-T-7-B-60	694535 (2)
DG3V-3-**B-T-7-S-60	694536 (2)
DG3V-3-**B-T-P1-7-B-60	694535 (1)
DG3V-3-**B-T-P1-7-S-60	694536 (1)
DG3V-3-**C-7-B-60	694535 (2)
DG3V-3-**C-7-S-60	694536 (2)
DG3V-3-**F-7-B-60	694535 (1)
DG3V-3-**F-T-7-S-60	694536 (1)
DG3V-3-**F-T-P1-7-B-60	694535 (1)
DG3V-3-**F-T-P1-7-S-60	694536 (1)
DG3V-3-**N-7-B-60	694505 (2)
DG3V-3-**N-7-S-60	694557 (2)

### Spool Assembly Notes

- Assemble spools with narrow end land towards A port end of body (Reverse for left hand builds)
- ◆ Assemble type 3 spool with narrow center land toward "A" port
- ◇ Blank – no spring required (refer to model code breakdown)

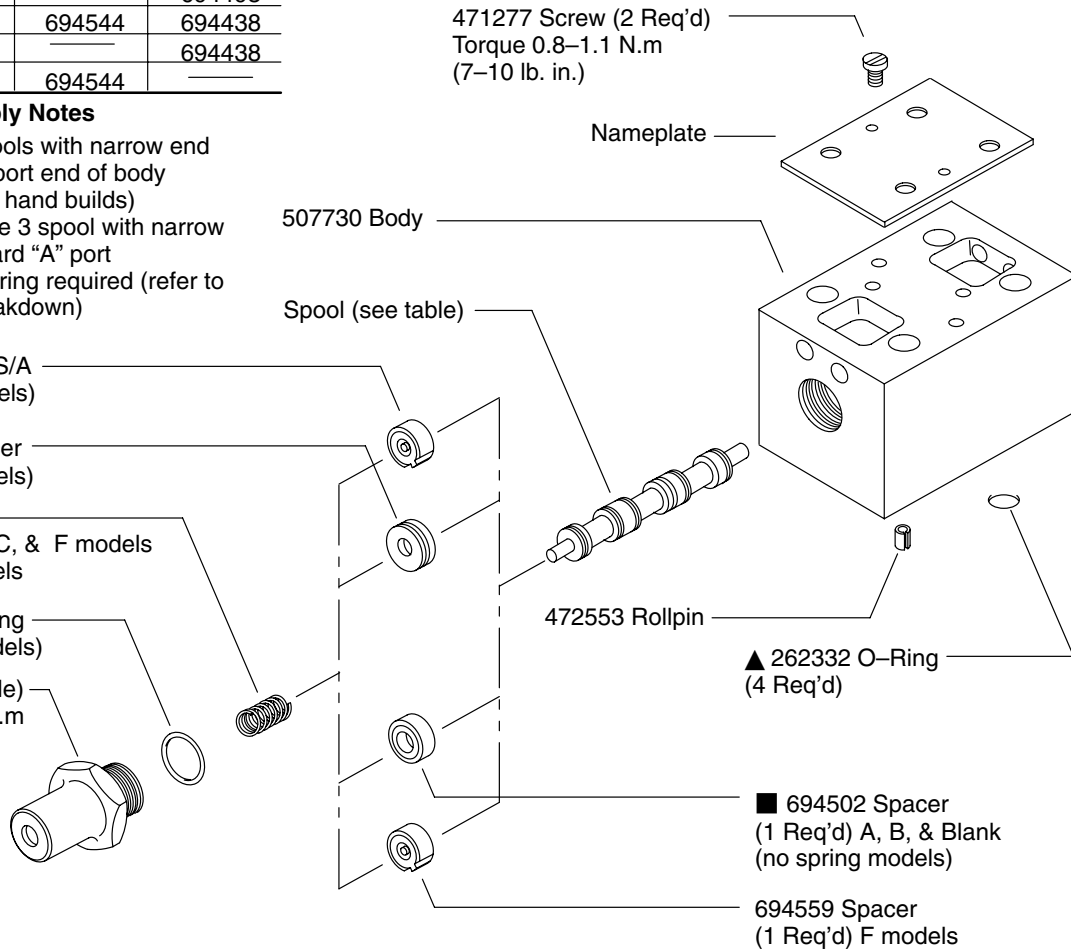
697386 Detent S/A  
(2 Req'd N models)

■ 694545 Spacer  
(2 Req'd C models)

507889 Spring  
(2 Req'd) A, B, C, & F models  
Omit for N models

▲ 262353 O-Ring  
(2 Req'd all models)

● Plug (see table)  
Torque 30–36 N.m  
(22–27 lb.ft.)



▲ Available in seal kit 02–110959

■ Recessed side of spacer to mate with spool end land

507724 End cap (Internal drain models)  
Torque 30–36 N.m (22–26 lb. ft.)

**Internal drain models**  
DG3V-3-\*\*-A-T-7-\*-60  
DG3V-3-\*\*-B-T-7-\*-60  
DG3V-3-\*\*-F-T-7-\*-60

Refer to other end of valve for balance of part numbers, except as noted

■ 694545 Spacer (A & B models)

**External drain models**  
DG3V-3-\*\*-A-7-\*-60  
DG3V-3-\*\*-B-7-\*-60

Refer to other end of valve for balance of part numbers, except as noted

694558 Spacer (F models)

**External drain model**  
DG3V-3-\*\*-C-7-\*-60

Refer to other end of valve for balance of part numbers

**External drain model**  
DG3V-3-\*\*-N-7-\*-60

Refer to other end of valve for balance of part numbers

**External drain model (Blank no spring)**  
DG3V-3-\*\*-7-\*-60

Refer to other end of valve for balance of part numbers, except as noted

694559 Spacer (Use on Blank models only. Assemble next to spring with rounded face towards spool.)

694500 End cap  
Torque 30–36 N.m (22–26 lb. ft.)

**Manual override option (A, B, & F models only, in non-operator end)**

DG3V-3-\*\*-A-T-P1-7-\*-60  
DG3V-3-\*\*-B-T-P1-7-\*-60  
DG3V-3-\*\*-F-T-P1-7-\*-60

Refer to other end of valve for balance of part numbers, except as noted

▲ 262326 O-Ring

694501 Plunger

■ 694545 Spacer (A, B, & C models)

**Valve Assembly Note**

Right hand assembly shown for all single operator models.

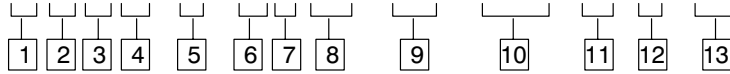
For left hand assembly all parts are reversed except body.

694558 Spacer (F models)

For left hand assembly, external drain B models all parts are reversed except body and spool.

# Model Code

**D G 3 V - 3 - \*\* \* (L) - (T) - (P1) - 7 - \* - 60**



**1** Directional control valve

**2** Subplate/Manifold mounted

**3** Hydraulically operated

**4** Rated pressure

V – 350 bar (5000 psi) on P, A & B Ports

**5** Interface ISO 4401–AB–03–4–B

3 – NFPA D01, ISO 4401–03, Cetop 3

(with location pin)

**6** Spool type

0 – Open center (all ports) (all models)

2 – Closed center (all ports) (all models)

3 – Closed center (P & B ports) (B, C, F models only)

6 – Closed center (P port only) (all models)

33 – Closed center (bleed A & B ports) (B, C, F models only)

**7** Spool/Spring arrangement

Blank – No spring

A – Spring offset (Single operator)

B – Spring centered (Single operator)

C – Spring centered

F – Spring offset, shift to center

N – No-spring detented

**8** Left hand build

(Omit if not required)

L – Left hand build A, B & F models only

**9** Internal drain

(Omit if not required)

T – Internal drain, (required on F models available on A & B models)

**10** Manual override

(Omit if not required)

P1 – Manual override (A, B, & F models only in non-operator end) Internal drain only

**11** Tank pressure limit

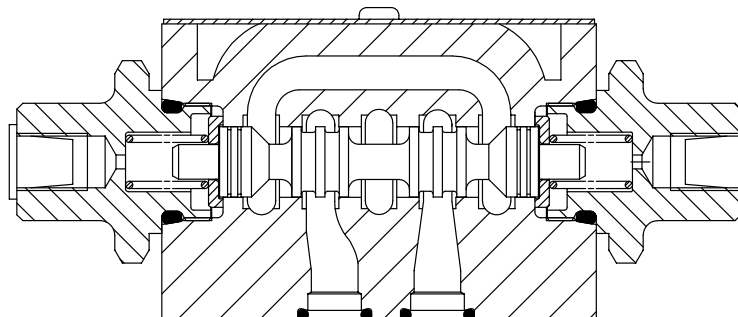
7 – 7 – 210 bar

**12** Thread for pilot/drain connection

B – G 1/8" threads

S – SAE internal straight thread

**13** Design



Sectional view, spring centered valve