

Service Data

**Vickers®**

# Directional Controls

---

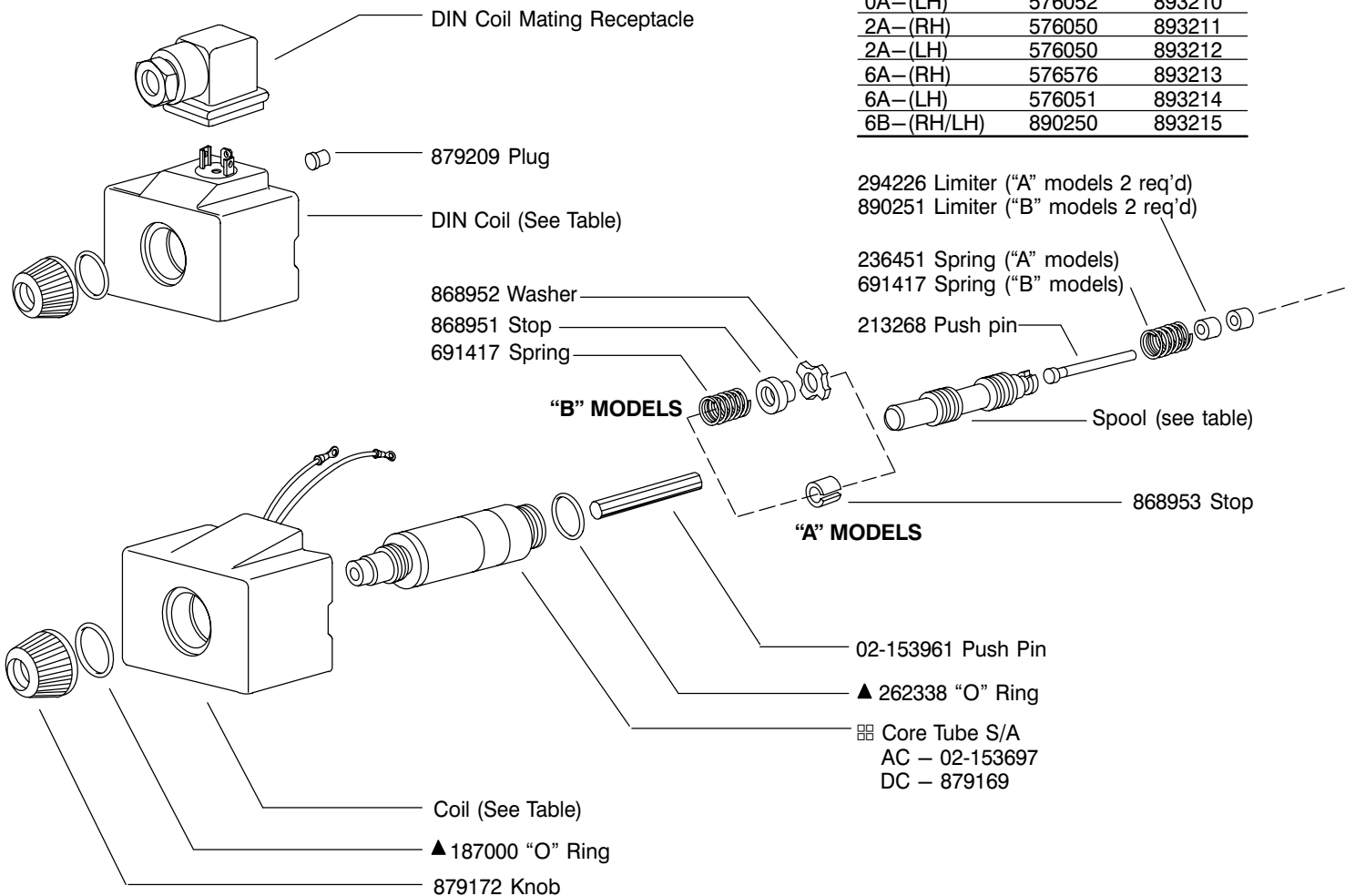


## Wet Armature Directional Control Valves

SDG4S4-01\*A/B-(U)-\*-60

COIL S/A	COIL KIT	VOLTAGE		DC VOLT	COIL CODE	DIN COIL-KIT	
		60 HZ	50 HZ				
868982	892995	120	110		B	893007	879141
868983	892996	240	220		D	893008	879143
868984	892997	460	440		M	893009	879231
868985	892998		127		EG	893010	879232
879211			240		ED		879142
879212			110		A		879144
879213			220		C		879227
879214			24		NN		879228
879215	893003	100	100		T	893015	879229
879216	893004	380	380		DZ	893016	879230
02-101843		24	24		N		02-101845
02-101976		200	200		OV		02-127060
868987	892999			12	G	893011	879146
868988	893000			24	H	893012	879147
868986	893001			48	J	893013	879148
868990				110	P		879226
868991				100	R		879225
868992	893002			250	X	893014	879224
879233				125	DP		879149
02-119664		48	48		K		02-127061
02-119665			48		KK		02-127062
02-119666		24			NV		02-127063
02-300515		220			DN		02-300519
02-300516		115			EK		02-300520
02-300517		110	100		BX		02-300521
02-300518		320	200		DX		02-300522

SPOOL TYPE	PART	SPOOL KIT
0A-(RH)	576052	893209
0A-(LH)	576052	893210
2A-(RH)	576050	893211
2A-(LH)	576050	893212
6A-(RH)	576576	893213
6A-(LH)	576051	893214
6B-(RH/LH)	890250	893215



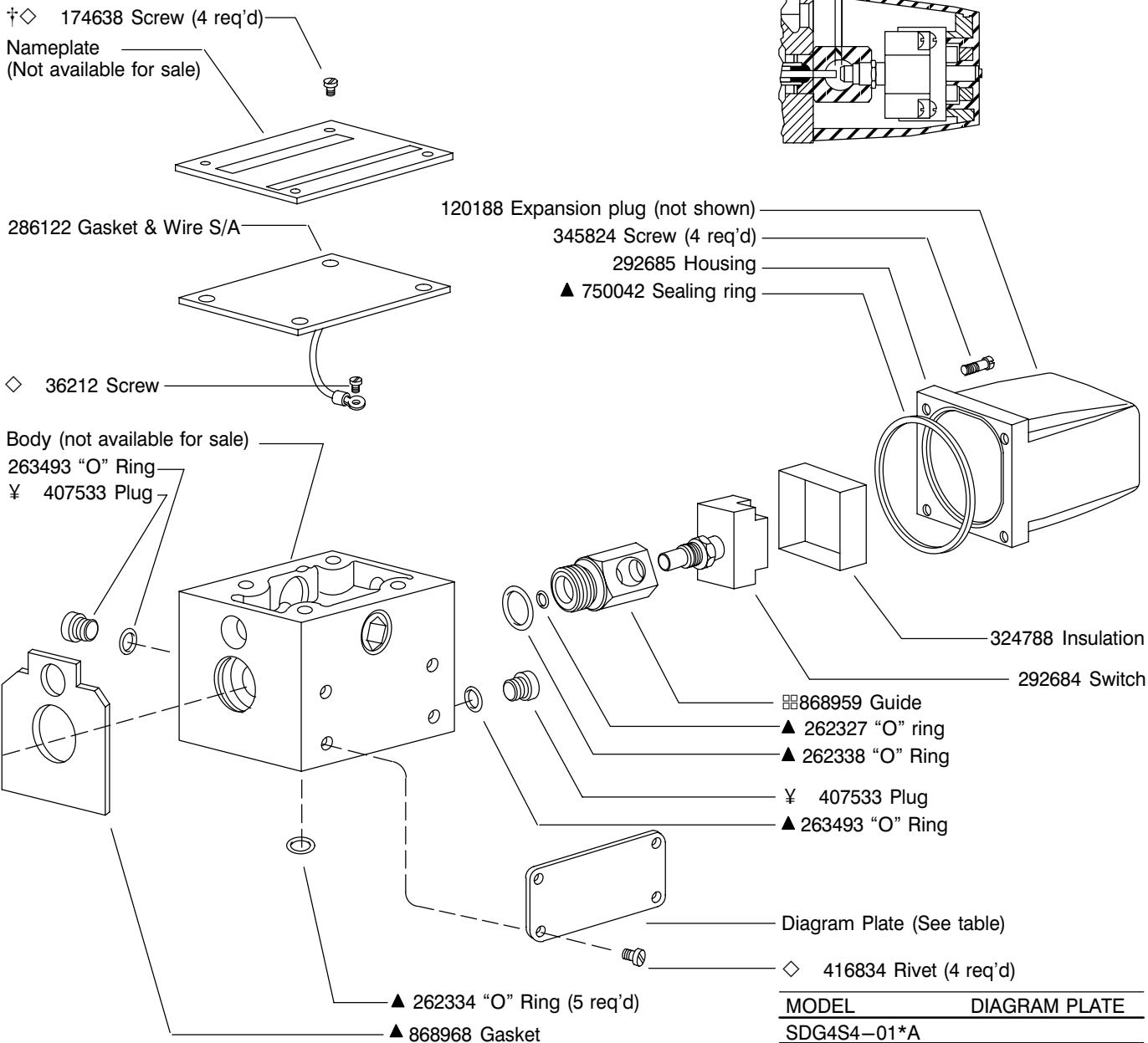
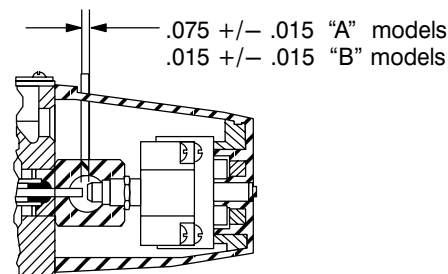
DC Coils with Surge Suppression Device Encapsulated

Coil S/A	DC Voltage	DIN Coil S/A	Coil Code
02-154795	12	02-154798	G
02-154767	24	02-154796	H

Refer to model code for ordering with surge suppression.

**Note**

Adjust gap, at assembly, per dimensions shown below. Rotate switch to nearest vertical position. Tighten jam nut.



MODEL	DIAGRAM PLATE
SDG4S4-01*A	290348 (R.H.) 577490 (L.H.)
SDG4S4-01*B	290345 (R.H./L.H.)

**Note**

Right hand assembly shown. For left hand assembly (-LH models), all parts of valve except body are reversed. Use left hand diagram plate. ("B" models use same plate for right and left hand)

**Note**

For satisfactory service life of these components in industrial applications, use full flow filtration to provide fluid which meets ISO cleanliness code 18/15 or cleaner.

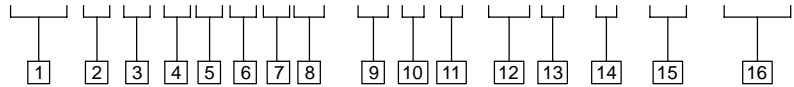
**Note**

Parts numbers prefixed with symbols available only in kits.

- ▲ Included in F3 Seal Kit 892976
- ◇ Included in Fastener Kit 893005
- 868 Torque 24-29 N.m (18-22 lbf. ft.)
- ¥ Torque 12.1-12.4 N.m (107-110 lbf. in.)
- † Torque 0.8-1.01 N.m (7-9 lbf. in.)

# Model Code

**(F3) S D G 4 S 4 \*\* - 01 \*\* - (U) \* - \* - 60 - (LH)**



## 1 Special Seals

**Blank** - Standard seals  
**F3** - Special seals

## 2 Monitor Switch

## 3 Directional Control Valve

## 4 Manifold or Subplate Mounted

## 5 Solenoid Operated

## 6 Sliding Spool

## 7 Flow Direction

**4** - Four way

## 8 Electrical Accessories

**L** - Solenoid indicator lights  
**W** - Wiring housing  
**LW** - Wiring housing with indicator lights  
**WT** - Wiring housing with terminal strip

## 9 Interface

**01** - ISO-4401-AC-50-4-A NFPA D05  
 (1/8 in. nominal size)

## 10 Spool Types

0, 2, 6

## 11 Spool/Spring Arrangement

**A** - Spring offset P to A  
**B** - Spring centered, solenoid  
 "A" removed

## 12 Wet Armature Solenoid

(non-serviceable core tube)

**Blank** - Flying lead coils

**U** - DIN 43650 coils w/o electrical plug

## 13 Coil Type

**7** - Coil with surge suppression  
 (DC models only 12 & 24V DC)

## 14 Coil Identification Letters

## 15 Design

## 16 Left Hand Assembly

(Omit for right-hand assembly)

## Light Kits

Solenoid Indicator Light Kit  
 (Includes all parts identified)

Voltage Range	Kit
100 thru 127	941615
192 thru 233	941617

