

Vickers®

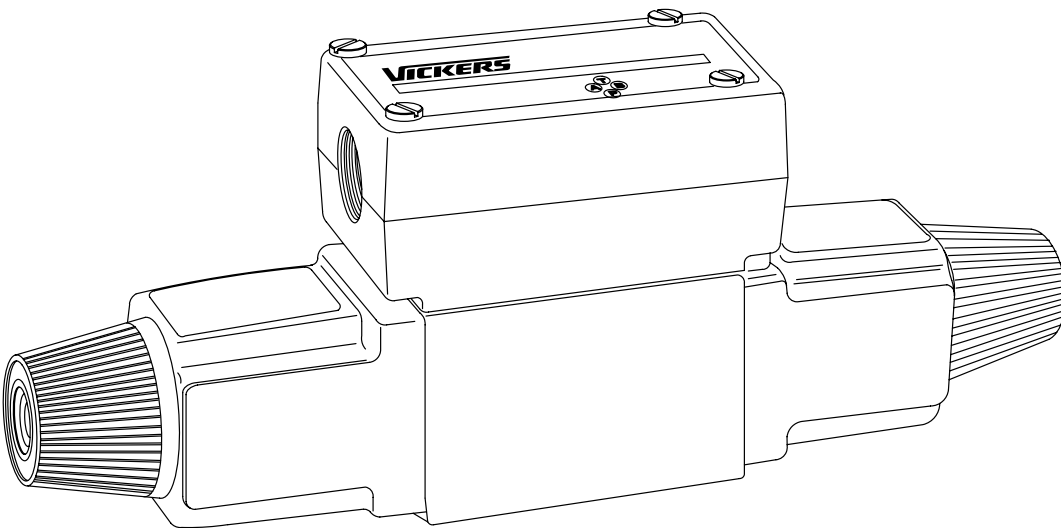
# Directional Controls



Service Parts Information

## Solenoid Operated Directional Valve

DG4V-3-\*N-M(P\*\*)-\*\*-\*-40 Detented



**VICKERS**

Revised 5/1/87

I-3865-S

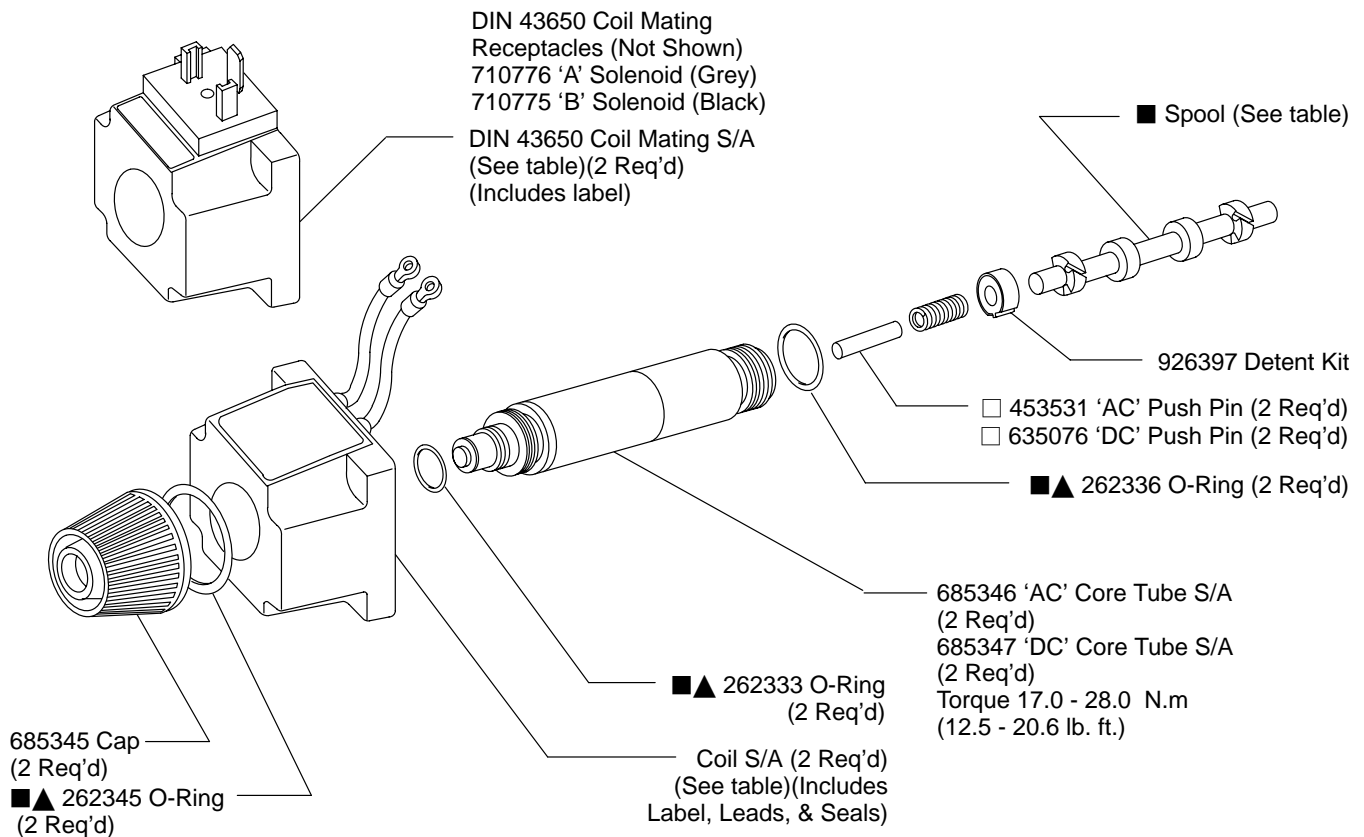
DIN 43650 Coil S/A	Coil S/A	AC Volt Hz	DC Volt	Coil Code	
635061	633741	110/50, 115/60, 120/60	—	B	
683312	989721	110/50, 115/60, 120/60		*B-9	
635062	633742	220/50, 230/60, 240/60		D	
683218	989764	24/50, 24/60		N	
683310	683053	100/50, 100/60		T	
681611	681404	_____		32	DK
681423	989654			12	G
681610	989656			24	H
682552	682550			48	J
*B-9 Reduced Power Consumption Coil					

Spool Type	Spool	■ Spool Kit
0N	989598	926375
2N	635340	926376
6N/68N	989599	916277
Spool kit also includes parts prefixed with ■ and ▲.		

- A spool designation of 68N indicates valve is used as a pilot for two stage valves with a 4 or 8 type main stage spool. Refer to dwgs. J-682451 & J-685777 for correct nameplate.

Refer to I-3866-S for electrical features and options

Parts prefixed with symbols available only in kits



◆ Included in 926433 Fastener Kit

▲ Included in F3 Seal Kit 920304

● Omit When Using DIN 43650 Coils

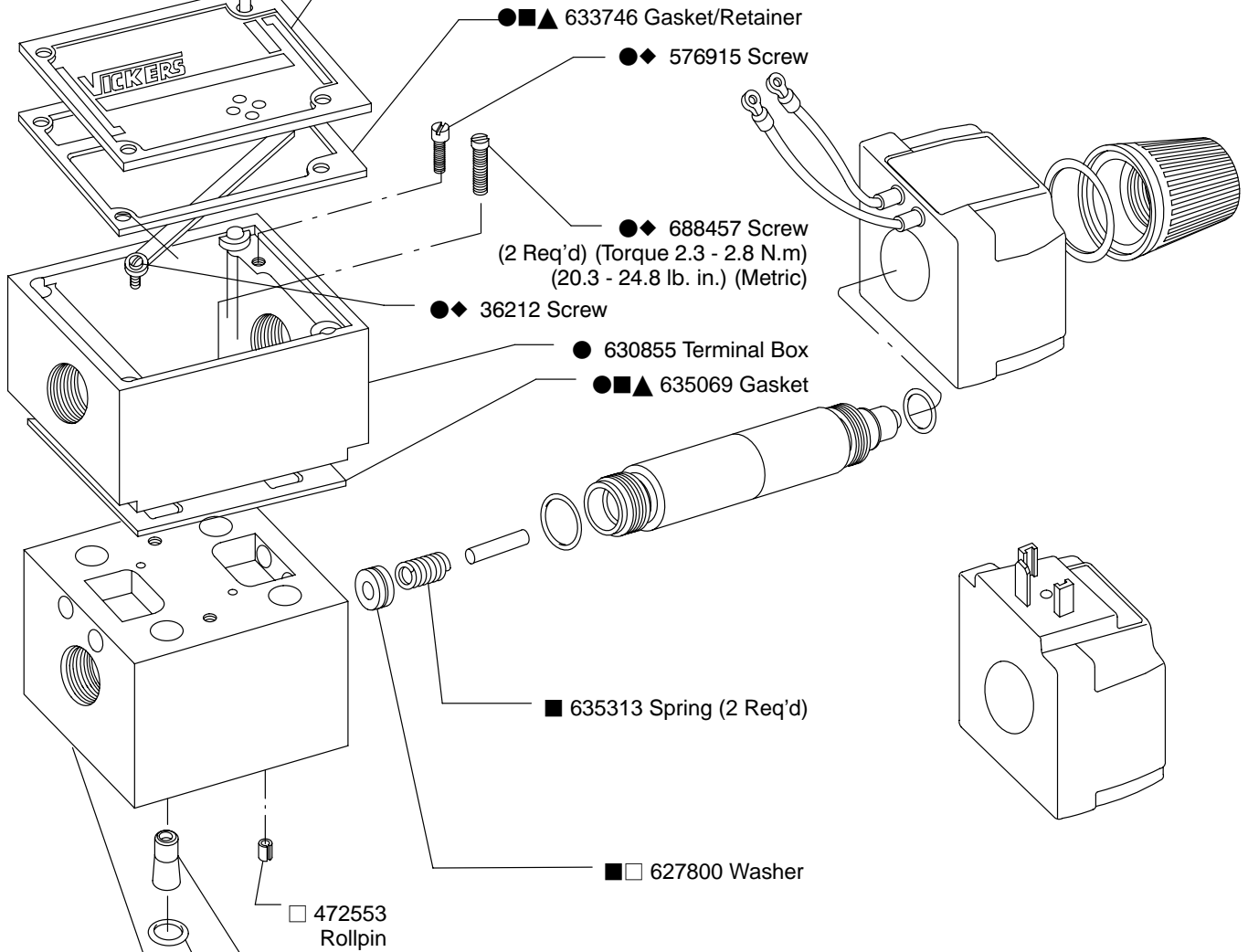
**DG4V-3-\*N-M(P\*\*)-\*\*-\*-40**

989583 Seal (2 Req'd)  
 (Not shown)(When using  
 468641 Screw for DIN 43650  
 Models)

Screw (Metric)	
●◆ STD (4 Req'd)	Din 43650 (2 Req'd)
□ 422004	□ 468641
Torque 0.5 - 0.7 N. m (4.5 - 6.2 lb. in.)	

635067 Carrier  
 (STD Model)  
 989585 Carrier  
 (DIN 43650)

Nameplate Label  
 (STD Model Refer to DWG. J-682451)  
 (DIN 43650 Refer to DWG. J-685777)



●■▲ 633746 Gasket/Retainer

●◆ 576915 Screw

●◆ 688457 Screw  
 (2 Req'd) (Torque 2.3 - 2.8 N.m)  
 (20.3 - 24.8 lb. in.) (Metric)

●◆ 36212 Screw

● 630855 Terminal Box

●■▲ 635069 Gasket

■ 635313 Spring (2 Req'd)

■□ 627800 Washer

□ 472553  
 Rollpin

631604 Body  
 (Not available  
 for sale)

■▲ 262332 O-Ring  
 (4 Req'd)

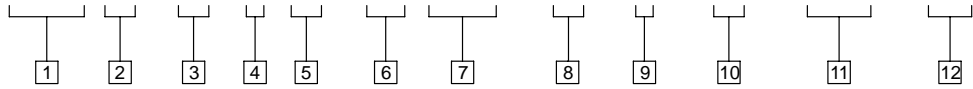
Restrictor Plug  
 (Optional)(See table)

Restrictor Plug		
Part	Orifice Dia.	
	mm	inches
684300	0.3	.012
631892	0.8	.032
628733	1.0	.040
632937	1.3	.052
635281	1.5	.060
687072	2.0	.080
631931	2.3	.092
685482	3.2	.128
632936	Blank	
Use In Either A, B, P, or T Port		

□ Lot Kits (25 pcs. only)	
Part No.	Kit No.
422004	944066
468641	944012
635313	944006
627800	944001
472553	944008
453531	944002
635076	944003

# Model Code

**DG4 V - 3 - \* N - M (P\*\*) - \*\* - \* - (9) - (\*\*\*) - 40**



**1 Model Series**

**DG4** - Directional valve, subplate or manifold mounted, solenoid operated

**2 Maximum Pressure Rating**

350 bar (5000 PSI)

**3 Interface**

NFPA-D01/ISO-4401-3

**4 Spool Type**

**5 Spring Offset**

**N** - No spring detented

**6 Flag Symbol Heading Electrical Features and Options**

**7 Electrical Features**

(Refer to Drawing I-3866-S)

**8 Coil**

- U** - DIN 43650 Coil
- W** - Wiring Housing 1/2 NPT thd.
- WL** - Wiring Housing 1/2 NPT thd. (with indicator light(s))

**9 Coil Code Letter**

(See table for Voltage and Frequency)

**10 Low Wattage Coil**

(B Coil only)

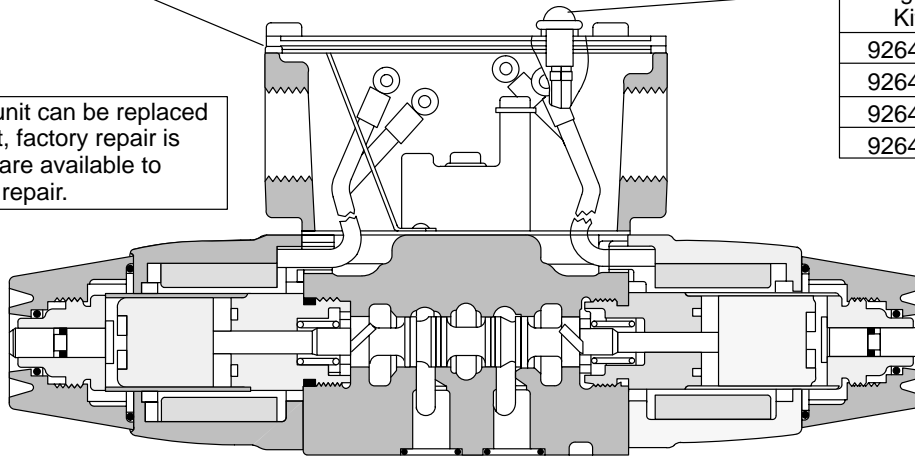
**11 Restrictor Plug (A, B, P or T Port)**

(See table for Orifice dia. sizes)

**12 Design**

635065 Carrier (for light)

As this complete unit can be replaced at a nominal cost, factory repair is not practical. Kits are available to support customer repair.



Light Kit	Voltage Range
926499	12V AC/DC
926431	24V AC/DC
926432	115V AC/DC
926458	230V AC/DC

Light Kits include two lights

For satisfactory service life of these components in industrial applications, use full flow filtration to provide fluid which meets ISO cleanliness code 20/18/15 or cleaner. Selections from Eaton OFP, OFR, and OFRS series are recommended.