

Vickers®

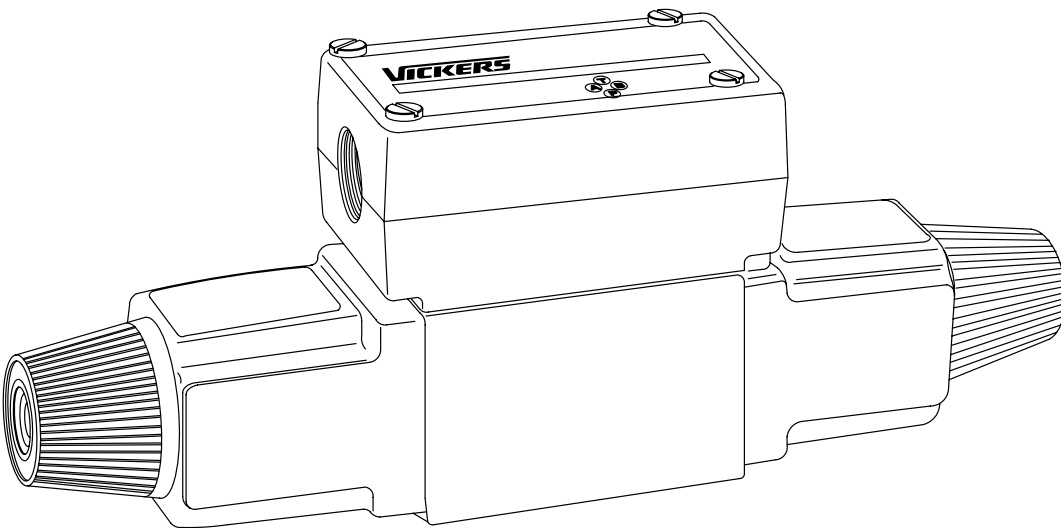
Directional Controls



Service Parts Information

Solenoid Operated Directional Valve (Spring Centered)

DG4V-3-*C-M(P**)-**-*-40



VICKERS

Revised 8/1/86

I-3863-S

DIN 43650 Coil S/A	Coil S/A	AC Volt Hz	DC Volt	Coil Code	
635061	633741	110/50, 115/60, 120/60	—	B	
683312	989721	110/50, 115/60, 120/60		*B-9	
635062	633742	220/50, 230/60, 240/60		D	
683218	989764	24/50, 24/60		N	
683310	683053	100/50, 100/60		T	
681611	681404	_____		32	DK
681423	989654			12	G
681610	989656			24	H
682552	682550			48	J
*B-9 Reduced Power Consumption Coil					

Spool Type	Spool	Spool Kit
0C	635338	926362
1/11C	683314	926446
2C	631611	926363
3/31C	989593	926364
6/68C	631603	926365
7/78C	989592	926366
8C-S288	630305	926367
33C	635339	926368
Spool kit also includes parts prefixed with ■ and ▲.		

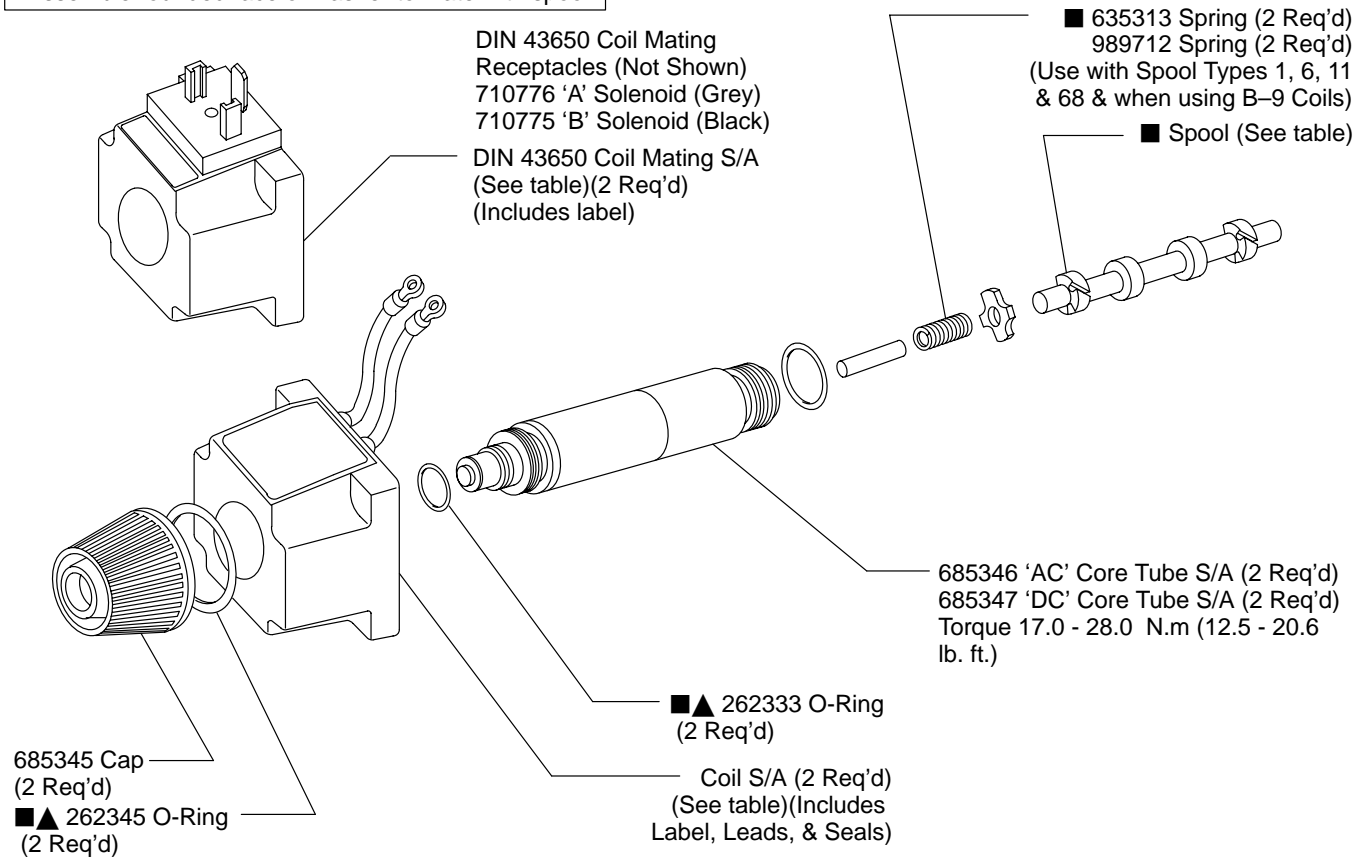
- Assemble Type 1 and 3 spools with narrow center land towards 'A' port. The types 11 and 31 spools are 1 and 3 spools reversed with narrow center land towards 'B' port.

- A spool designation of 68C/78C indicates valve is used as a pilot for two stage valves with 4 or 8 type main stage spools. 68C is used with spring centered units. 78C is used with pressure centered units. Refer to dwgs. J-682451 & J-685777 for correct nameplate label.

Refer to I-3866-S for electrical features and options

Parts prefixed with symbols available only in kits

*Assemble rounded face of washer to mate with spool



- ▲ Included in F3 Seal Kit 920304
- ◆ Included in Fastener Kit 926433
- Available Only in Kits of 25
- Omit When Using DIN 43650 Coils

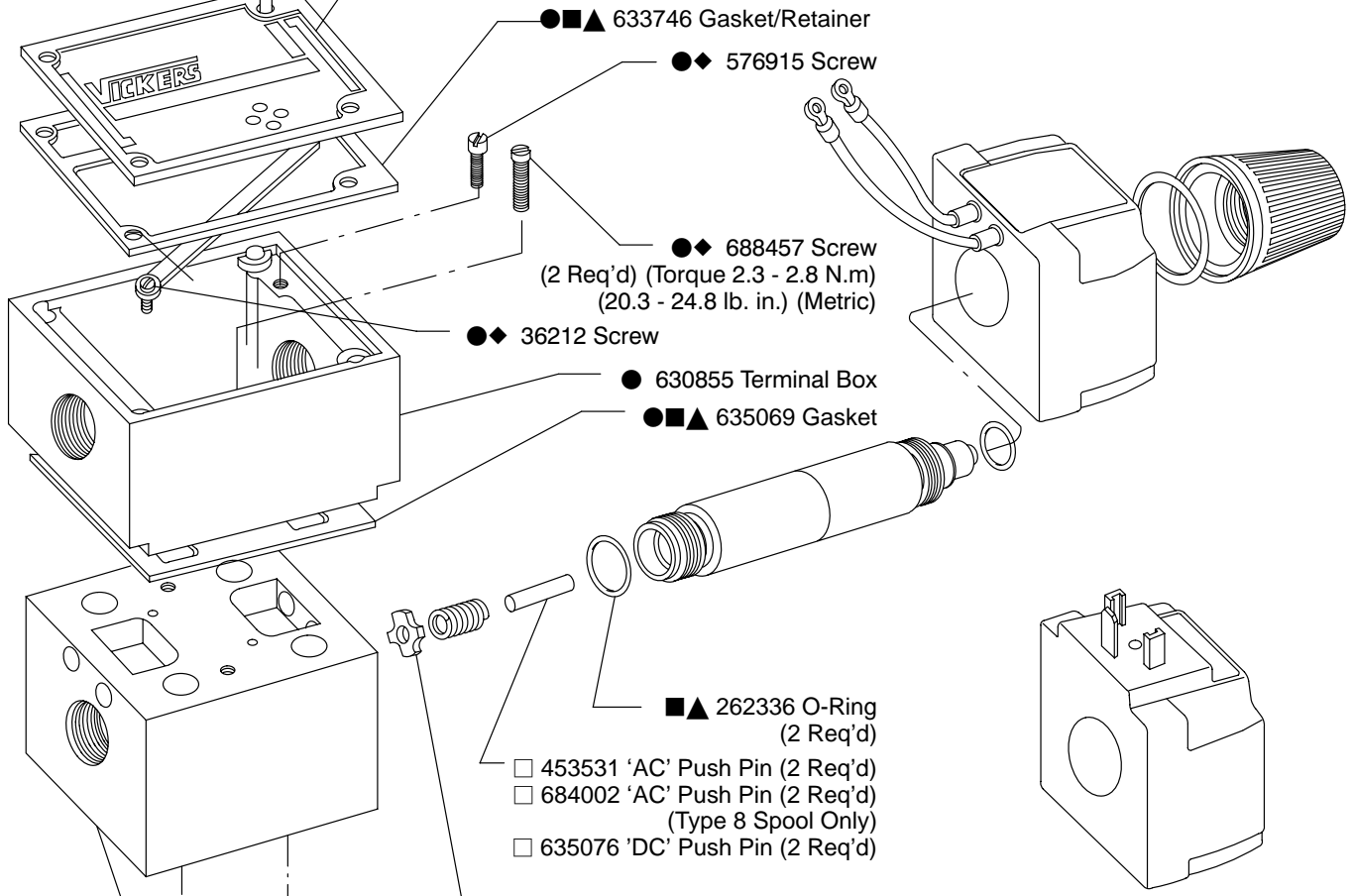
DG4V-3-*C-M(P)-**-*-40**

989583 Seal (2 Req'd)
 (Not shown)(When using
 468641 Screw for DIN 43650
 Models)

Screw (Metric)	
●◆ STD (4 Req'd)	Din 43650 (2 Req'd)
422004□	468641
Torque 0.5 - 0.7 N. m (4.5 - 6.2 lb. in.)	

635067 Carrier
 (STD Model)
 989585 Carrier
 (DIN 43650)

Nameplate Label
 (STD Model Refer to DWG.
 J-682451)
 (DIN 43650 Refer to DWG. J-685777)



631604
 Body (Not
 available
 for sale)

□ 472553
 Rollpin

■▲ 262332 O-Ring
 (4 Req'd)

Restrictor Plug
 (Optional)(See table)

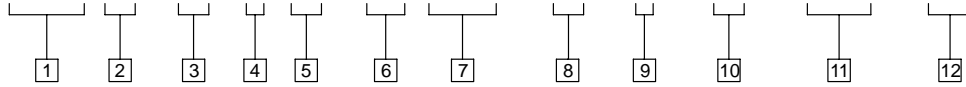
■*□ 627789 Washer (2 Req'd)

■*□ 573643 Washer (2 Req'd)
 (Use With Type 2 Spool and B-9
 Coil Only)

Restrictor Plug		
Part	Orifice Dia.	
	mm	inches
684300	0.3	.012
631892	0.8	.032
628733	1.0	.040
632937	1.3	.052
635281	1.5	.060
687072	2.0	.080
631931	2.3	.092
685482	3.2	.128
632936	Blank	
Use In Either A, B, P, or T Port		

Model Code

DG4 V - 3 - * C - M (P) - ** - * - (9) - (***) - 40**



1 Model Series

DG4 - Directional valve, subplate or manifold mounted, solenoid operated

2 Maximum Pressure Rating

350 bar (5000 PSI)

3 Interface

NFPA-D01/ISO-4401-3

4 Spool Type

5 Spring Offset

C - Spring centered

6 Flag Symbol Heading Electrical Features and Options

7 Electrical Features

(Refer to Drawing I-3866-S)

8 Coil

- U** - DIN 43650 Coil
- W** - Wiring Housing 1/2 NPT thd.
- WL** - Wiring Housing 1/2 NPT thd. (with indicator light(s))

9 Coil Code Letter

(See table for Voltage and Frequency)

10 Low Wattage Coil

(B Coil only)

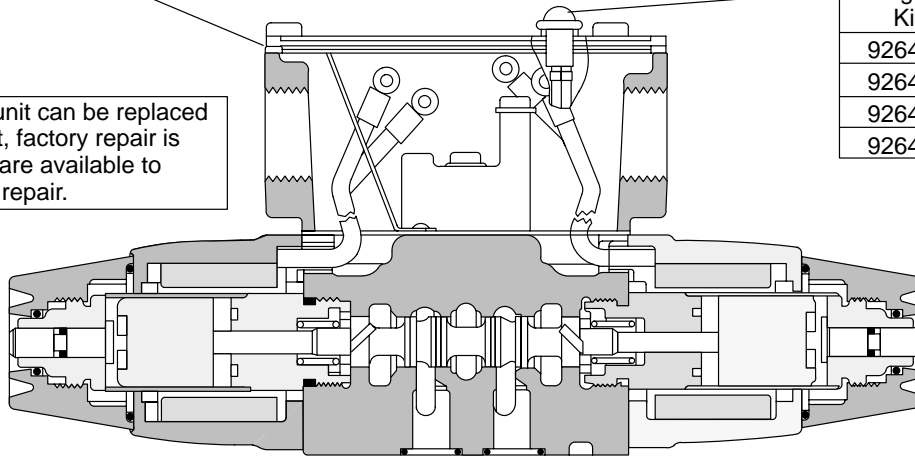
11 Restrictor Plug (A, B, P or T Port)

(See table for Orifice dia. sizes)

12 Design

635065 Carrier (light)

As this complete unit can be replaced at a nominal cost, factory repair is not practical. Kits are available to support customer repair.



Light Kit	Voltage Range
926499	12V AC/DC
926431	24V AC/DC
926432	115V AC/DC
926458	230V AC/DC

Light Kits include two lights

For satisfactory service life of these components in industrial applications, use full flow filtration to provide fluid which meets ISO cleanliness code 20/18/15 or cleaner. Selections from Eaton OFP, OFR, and OFRS series are recommended.