

Vickers®

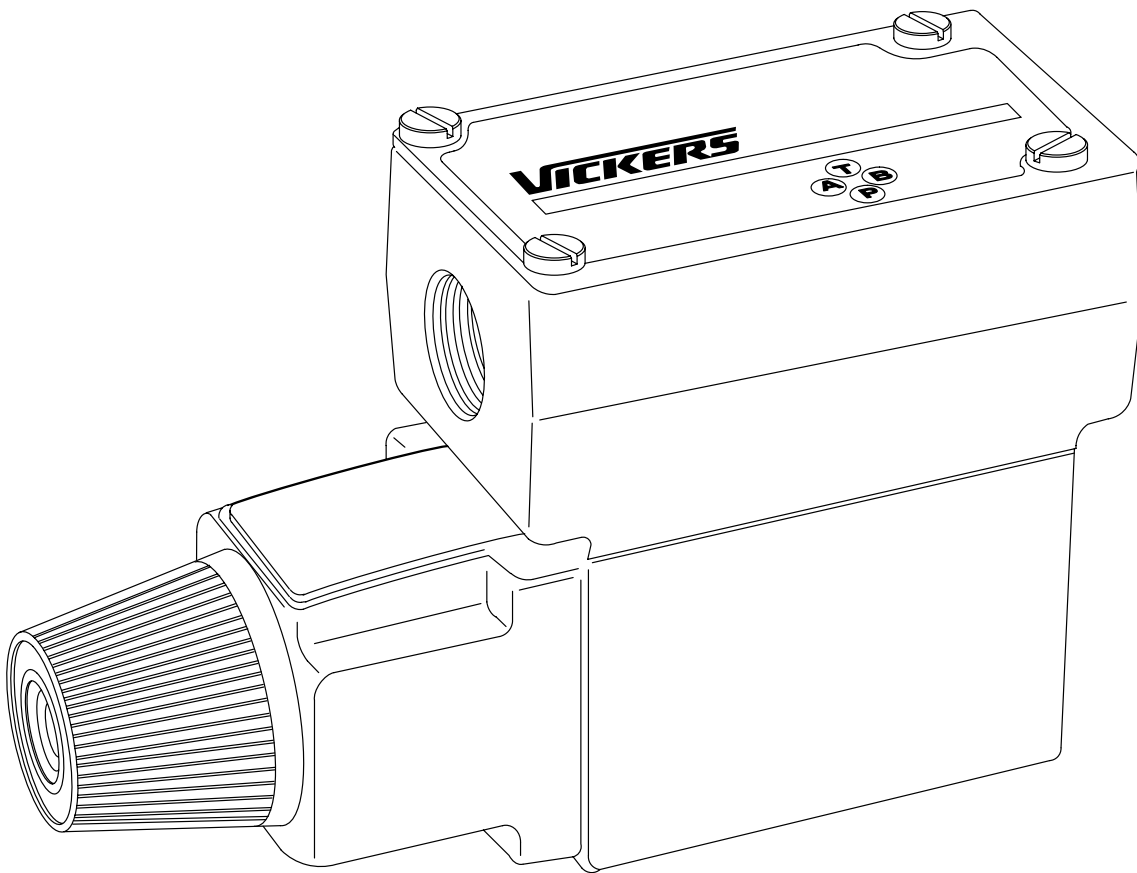
# Directional Controls



Service Parts Information

## Solenoid Operated Directional Valve

DG4V-3-\*A-M(P\*\*)-\*\*-\*-40 Spring Offset



**VICKERS**

Revised 8/1/86

I-3861-S

DIN 43650 Coil S/A	Coil S/A	AC Volt Hz	DC Volt	Coil Code
635061	633741	110/50, 115/60, 120/60	—	B
683312	989721	110/50, 115/60, 120/60		*B-9
635062	633742	220/50, 230/60, 240/60		D
683218	989764	24/50, 24/60		N
683310	683053	100/50, 100/60		T
681611	681404	_____	32	DK
681423	989654		12	G
681610	989656		24	H
682552	682550		48	J

\*B-9 Reduced Power Consumption Coil

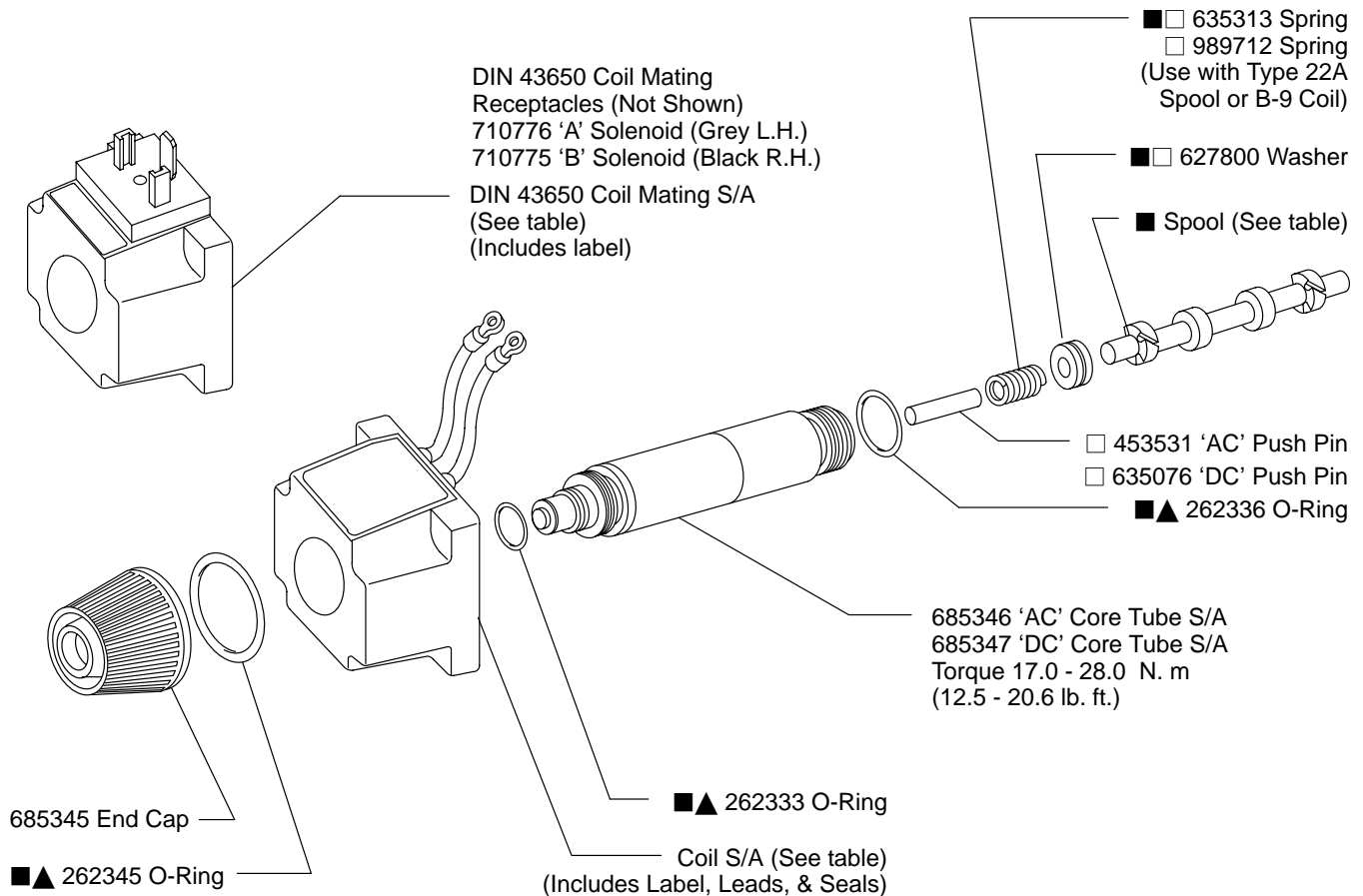
Spool Type	Spool	■ Spool Kit
0A	989594	926350
2/28A	631615	926351
6A	989595	926352
7A	989596	926353
22A	989649	926354

Spool kit also includes parts  
prefixed with ■ and ▲.

- Assemble Type 0A spool with longer spool end towards solenoid.
- Assemble Type 7A spool with reduced and unslotted end dia. towards solenoid.
- A spool designation of 28A indicates valve is used as a pilot for two stage valves with 4 or 8 type main stage spools. Refer to dwgs. J-682451 & J-685777 for nameplate.

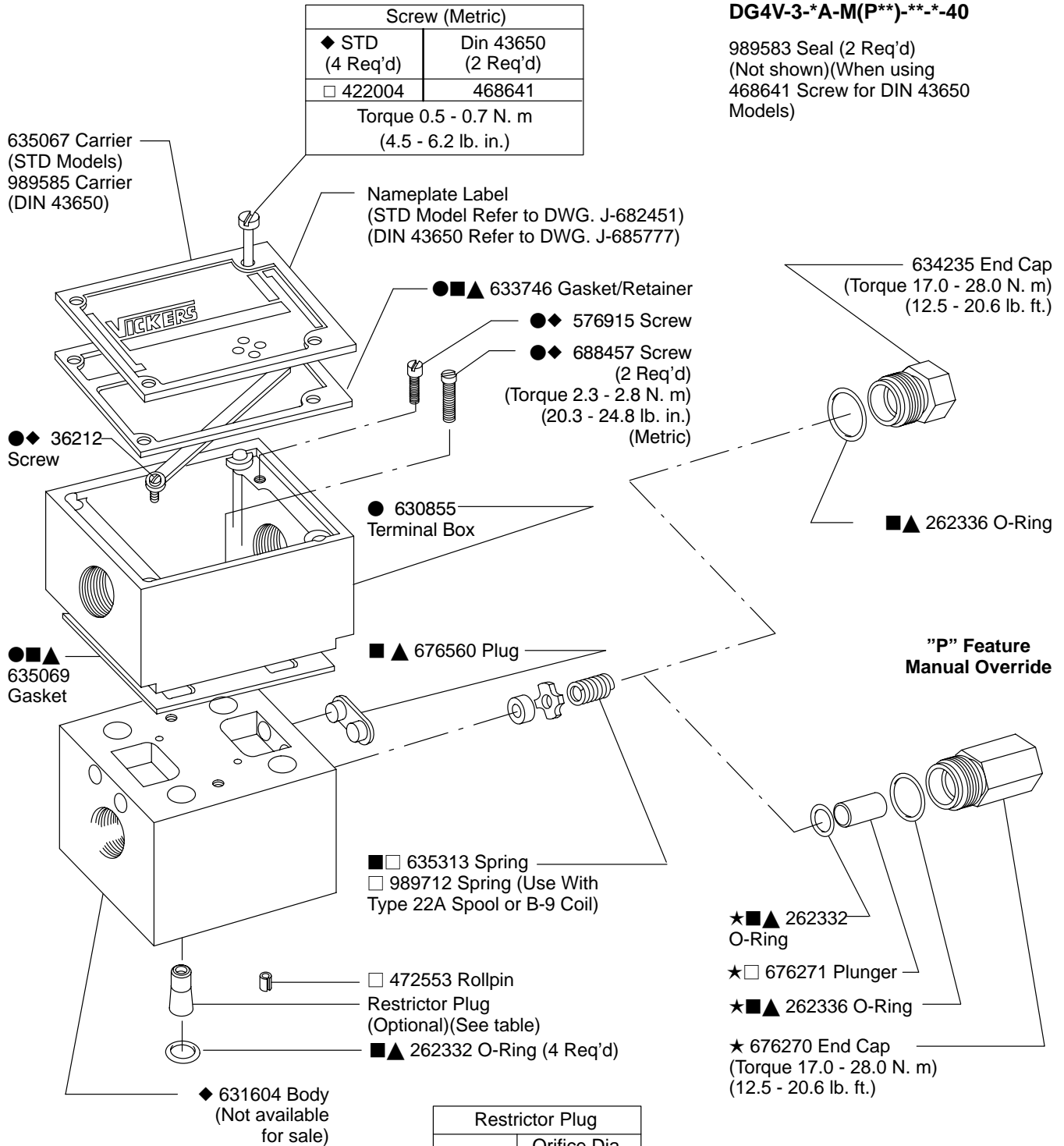
Refer to I-3866-S for electrical features and options

Parts with symbols available only in kits



**DG4V-3-\*A-M(P\*\*)-\*\*-\*-40**

989583 Seal (2 Req'd)  
(Not shown)(When using  
468641 Screw for DIN 43650  
Models)



Screw (Metric)	
◆ STD (4 Req'd)	Din 43650 (2 Req'd)
□ 422004	468641
Torque 0.5 - 0.7 N. m (4.5 - 6.2 lb. in.)	

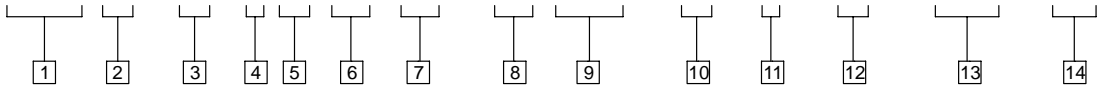
Restrictor Plug		
Part	Orifice Dia.	
	mm	inches
684300	0.3	.012
631892	0.8	.032
628733	1.0	.040
632937	1.3	.052
635281	1.5	.060
687072	2.0	.080
631931	2.3	.092
685482	3.2	.128
632936	Blank	
Use In Either A, B, P, or T Port		

- ▲ Included in F3 Seal Kit 920304
- ◆ Included in Fastener Kit 926433
- ★ Included in Manual Override Kit 926462
- Available only in Kits of 25
- Omit When Using DIN 43650 Coils

Right Hand Assembly shown, except  
28A (P). For Left Hand Assembly, all  
parts are reversed, except Body,  
Spool, and Terminal Box.

# Model Code

**DG4 V - 3 - \* A (P) (L) - M (P\*\*) - \*\* - \* - (9) - (\*\*\*) - 40**



**1 Model Series**

**DG4** - Directional valve, subplate or manifold mounted, solenoid operated

**2 Maximum Pressure Rating**

350 bar (5000 PSI)

**3 Interface**

NFPA-D01/ISO-4401-3

**4 Spool Type**

**5 Spring Offset**

**A** - Spring Offset to 'A' Port

**6 Manual Override**

(Omit When Not Required)

**7 Left Hand**

(Omit When Not Required)

**8 Flag Symbol Heading Electrical Features and Options**

**9 Electrical Features**

(Refer to Drawing I-3866-S)

**10 Coil**

- U** - DIN 43650 Coil
- W** - Wiring Housing 1/2 NPT thd.
- WL** - Wiring Housing 1/2 NPT thd. (with indicator light)

**11 Coil Code Letter**

(See table for Voltage and Frequency)

**12 Low Wattage Coil**

(B Coil only)

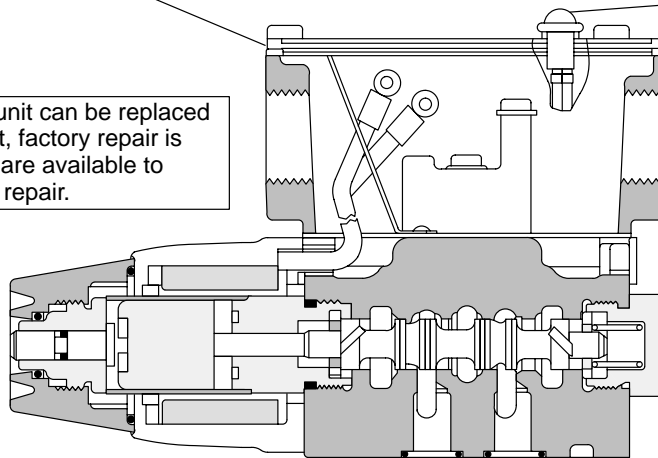
**13 Restrictor Plug (A, B, P or T Port)**

(See table for Orifice dia. sizes)

**14 Design**

635065 Carrier (light)

As this complete unit can be replaced at a nominal cost, factory repair is not practical. Kits are available to support customer repair.



Light Kit	Voltage Range
926499	12V AC/DC
926431	24V AC/DC
926432	115V AC/DC
926458	230V AC/DC

Light Kits include two lights

For satisfactory service life of these components in industrial applications, use full flow filtration to provide fluid which meets ISO cleanliness code 20/18/15 or cleaner. Selections from Eaton OFP, OFR, and OFRS series are recommended.