

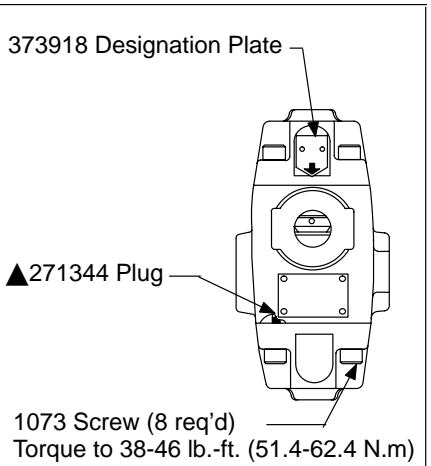
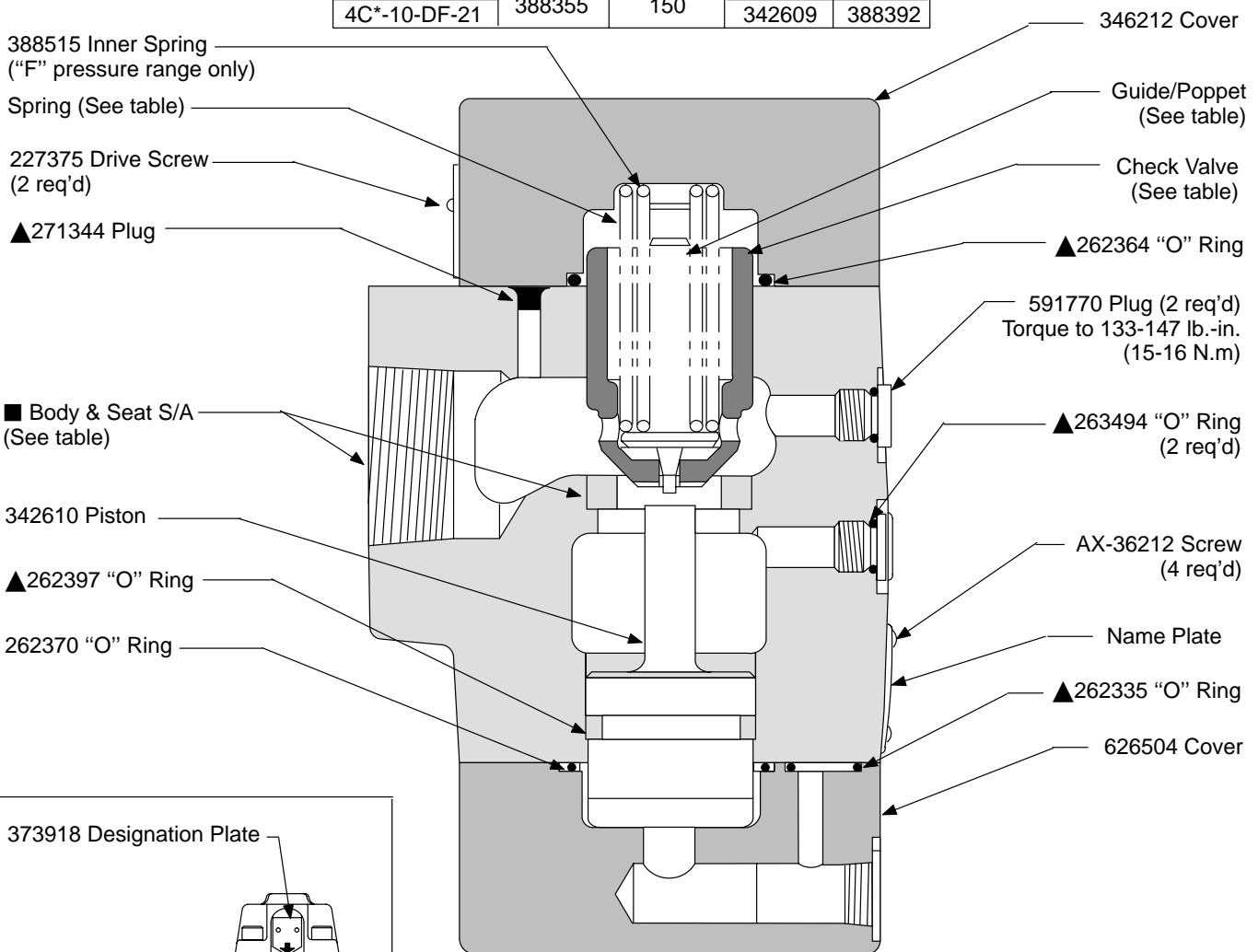
# Check Valves



## Pilot Operated Check Valve

4CT-10-(D)\*-21

Model	Spring	Pressure PSI	Check- Valve	Guide/ Poppet
4C*-10-A-21	352444	30	359863	359862
4C*-10-DA-21			342609	357424
4C*-10-C-21	388354	75	359863	359862
4C*-10-DC-21			342609	357424
4C*-10-F-21	388355	150	359863	388391
4C*-10-DF-21			342609	388392

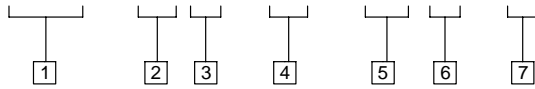


Model	■ Body S/A	Body	Seat
4CS-10-(D)*-21	626615	626616	342608
4CT-10-(D)*-21	626528	626529	

▲ Service all units with F3 Seal Kit 919677

# Model Code

**(F3) - 4C \* - 10 - (D) \* - 21**



**1 Seals**

**(F3)** - Seals for mineral oil and fire resistant fluids

**2 Model Series**

**4C** - Pilot operated check valve

**3 Connection**

**G** - Subplate mounted  
**S** - SAE straight thread connection  
**T** - NPTF threaded connection

**4 Series**

**100** - 100

**5 Features**

**D** - Decompression  
(Omit for no decompression)

**6 Pressure Range**

**A** - 30 PSI  
**B** - 50 PSI  
**C** - 75 PSI  
**D** - 150 PSI

**7 Design**

**4CG-10-(D)\*-21**

▲ Service all units with F3 Seal Kit 919679

626530 Body & Seat  
S/A Includes:  
342608 Seat  
626531 Body

Model	Spring	Pressure PSI	Check-Valve	Guide/Poppet
4CG-10-A-21	352444	30	359862	359863
4CG-10-DA-21			357424	342609
4CG-10-C-21	388354	75	359862	359863
4CG-10-DC-21			357424	342609
4CG-10-F-21	388355	150	388391	359863
4CG-10-DF-21			388392	342609

388515 Inner Spring  
("F" pressure range only)

▲ 262402 "O" Ring

271344 Plug  
(2 req'd)

▲ 262399 "O" Ring  
(2 req'd)

160571 Rollpin

342610 Piston

1073 Screw (8 req'd)  
Torque to 38-46 lb.-ft.  
(51.5-62.3 N.m)

▲ 262353 "O" Ring

▲ 262335 "O" Ring

▲ 263496 "O" Ring

591772 Plug (2 req'd)  
Torque to 18-20 lb.-ft.  
(24.4-27 N.m)

342612 Cover

Spring (See table)

Guide/Poppet  
(See table)

Check Valve  
(See table)

Body & Seat S/A  
(See table)

591770 Plug (2 req'd)  
Torque to 133-147 lb.-in.  
(15-16 N.m)

▲ 263494 "O" Ring  
(2 req'd)

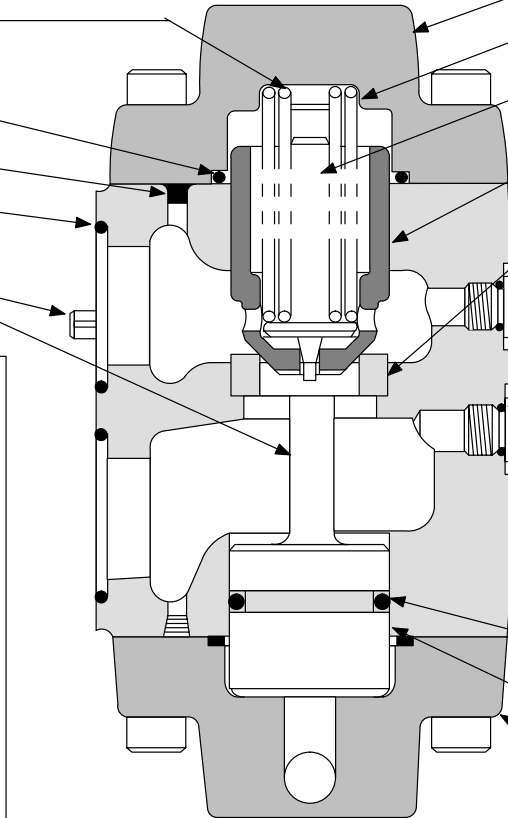
AX-36212 Screw  
(4 req'd)

Name Plate

▲ 262397 "O" Ring

▲ 262370 "O" Ring

626527 Cover



For satisfactory service life of these components, use full flow filtration to provide fluid which meets ISO cleanliness code 18/15 or cleaner. Selections from Eaton OFF, OFR and OFRS filter series are recommended.