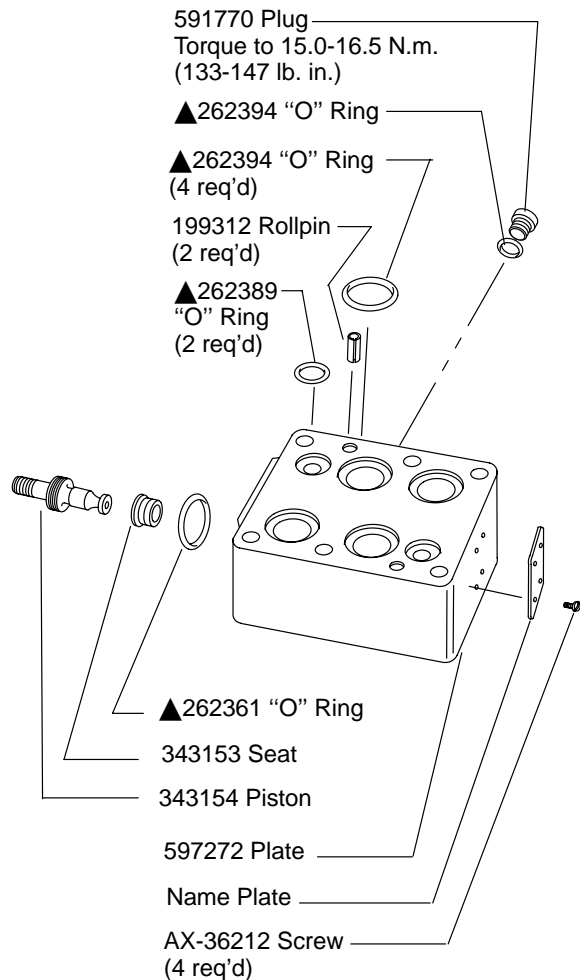
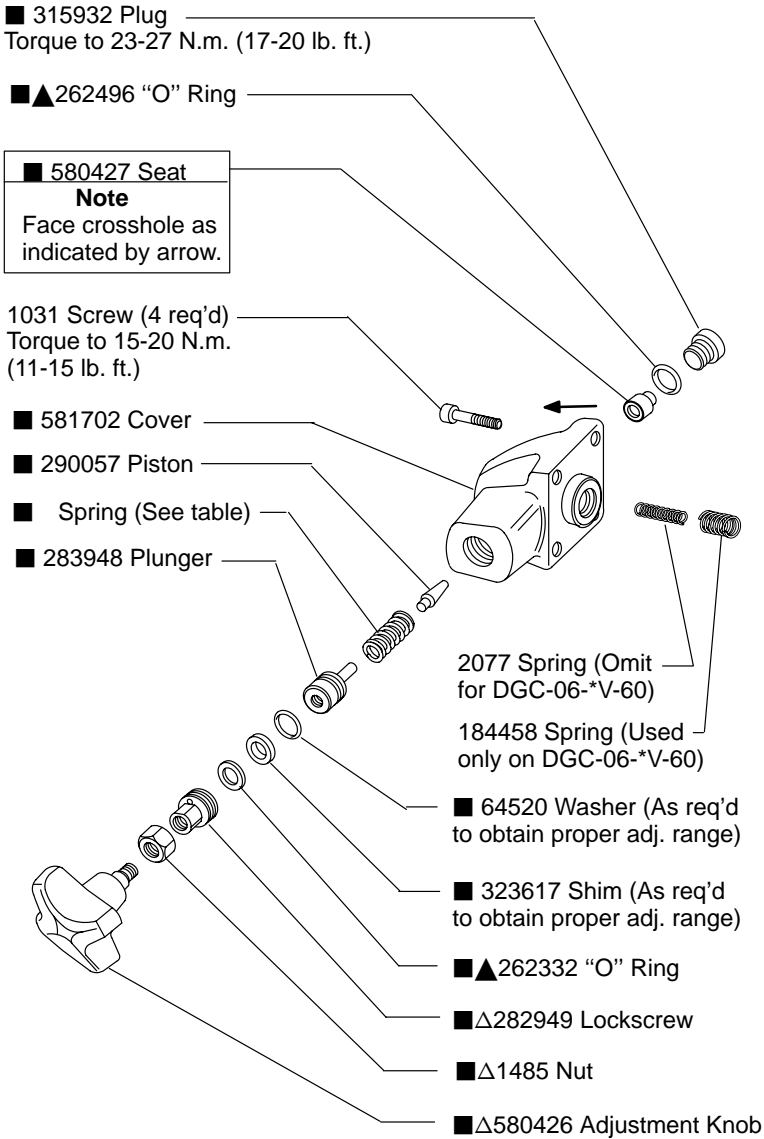


Relief Valves




Modular Relief Valves

(F3) DGC-06-*(*)-60



△Coat with oil prior to assembly.

▲Service all units w/F3 Seal Kit 919655

CAUTION
 This model cannot be used with pressure centered (D) valves.

Model	■ Included in Cover S/A	■ Spring
DGC-06-B*-60	941280	2280
DGC-06-C*-60	941281	583937
DGC-06-F*-60	941282	2281

Model Code

(F3) DGC - 06 - * (*) - 60

└──┬──┬──┬──┬──┬──┘

1 2 3 4 5 6

1 Seals

F3 - Seals for mineral oil and fire resistant fluids

2 Model Series

DGC - Directional control, subplate mounted relief module

3 Size

06 - 3/4 inch

4 Pressure Range

B - 125-1000 psi
C - 500-2000 psi
F - 1500-3000 psi

5 Vent

V - High vent
(Omit when not needed)

6 Design

For satisfactory service life of these components, use full flow filtration to provide fluid which meets ISO cleanliness code 18/15 or cleaner. Selections from Eaton OFP, OFR and OFRS filter series are recommended.

Printed in U.S.A.