

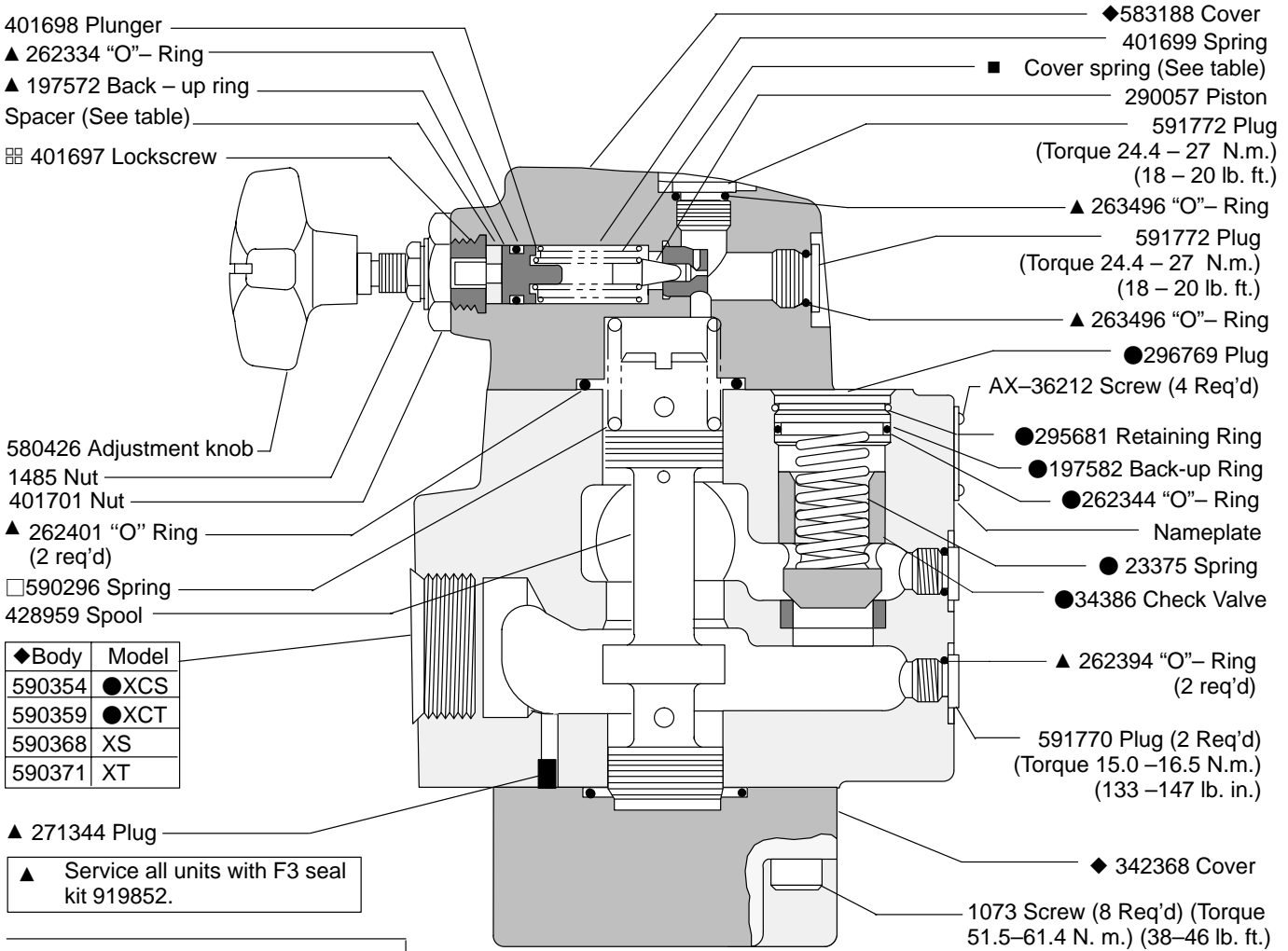
Pressure Controls



Pressure Reducing Valves

X(C)S - H10 - * - 30

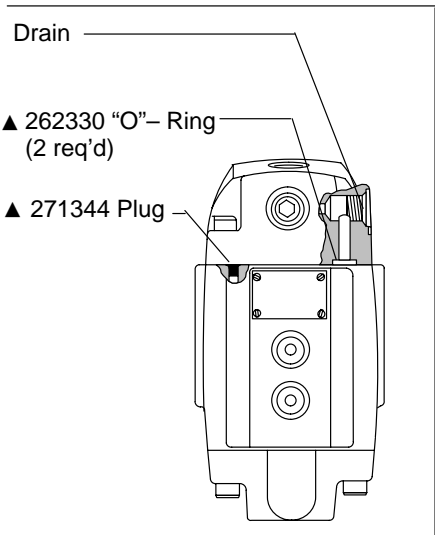
X(C)T - H10 - * - 30



◆ Body	Model
590354	● XCS
590359	● XCT
590368	XS
590371	XT

▲ 271344 Plug

▲ Service all units with F3 seal kit 919852.



◆ Not available for sale.

● Used on model XC* only.

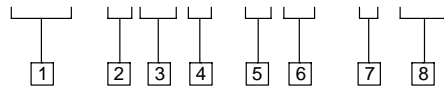
NOTE
Install lockscrew W/Stepped O. D. end toward spacer or plunger as shown.

□ Included in 941391 Spool Kit S/A

Model	Cover spring	Spacer	Pressure range P.S.I.
X(C)*-H10-1-30	2280	—	1000
X(C)*-H10-2-30	583937	—	2000
X(C)*-H10-3-30	401700	386715	2850

Model Code

(F3) - X(C) * - H10 - * -30



1 Seals

F3 - Seals for mineral oil and fire resistant fluids

4 Threaded Connections

S - 1.0625-12UN-2B Thd.
T - 1-1/4 inch NPTF Thd.

7 Maximum Adjustable Pressure

1 - 1000 PSI
2 - 2000 PSI
3 - 2850 PSI

2 Model Series

X - Pressure reducing valve

5 High Flow

H - 140 USgpm

8 Design

3 Integral Check Valve

Omitted - No check valve

6 Nominal Valve Size

10 - 1-1/4 inch

For satisfactory service life of these components, use full flow filtration to provide fluid which meets ISO cleanliness code 18/15 or cleaner. Selections from Eaton OFF, OFR and OFRS filter series are recommended.