

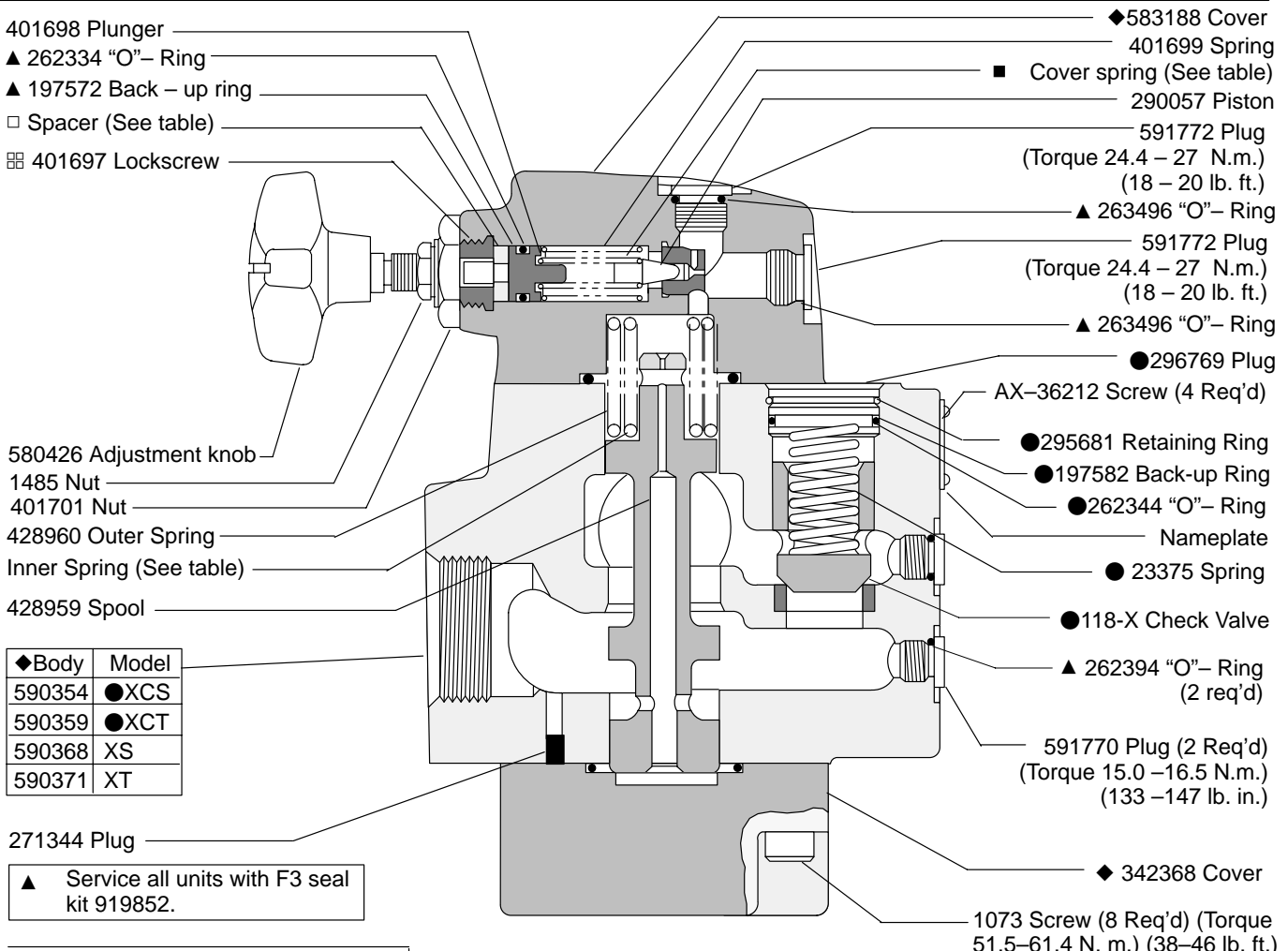
Pressure Controls



Pressure Reducing Valves

X(C)S - 10 - ** - 30

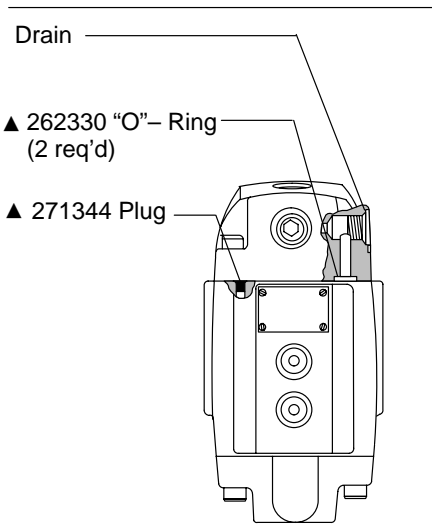
X(C)T - 10 - ** - 30



◆Body	Model
590354	●XCS
590359	●XCT
590368	XS
590371	XT

271344 Plug

▲ Service all units with F3 seal kit 919852.



◆ Not available for sale.

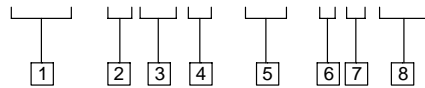
● Used on model XC* only.

NOTE
Install lockscrew W/Stepped O. D. end toward spacer or plunger as shown.

Model	Inner Spring	Cover spring	Spacer	Pressure range P.S.I.	Rated flow USGPM
X(C)*-10-1B-30	—	2280	—	100-1000	25
				165-1000	50
X(C)*-10-1F-30	428961	583937	—	225-1000	75
X(C)*-10-2B-30	—			100-2000	25
X(C)*-10-2F-30	428961	401700	386715	165-2000	50
X(C)*-10-3F-30	—			225-2000	75
				225-2850	75

Model Code

(F3) - X(C) * -10 - * * -30



1 Seals

F3 - Seals for mineral oil and fire resistant fluids

4 Threaded Connections

S - 1.0625-12UN-2B Thd.
T - 1-1/4 inch NPTF Thd.

7 Maximum Rated Flow Capacity

B - 50 USgpm
F - 75 USgpm

2 Model Series

X - Pressure reducing valve

5 Nominal Valve Size

10 - 1-1/4 inch

8 Design

3 Integral Check Valve

Omitted - No check valve

6 Maximum Adjustable Pressure

1 - 1000 PSI
2 - 2000 PSI
3 - 2850 PSI

For satisfactory service life of these components, use full flow filtration to provide fluid which meets ISO cleanliness code 18/15 or cleaner. Selections from Eaton OFF, OFR and OFRS filter series are recommended.