

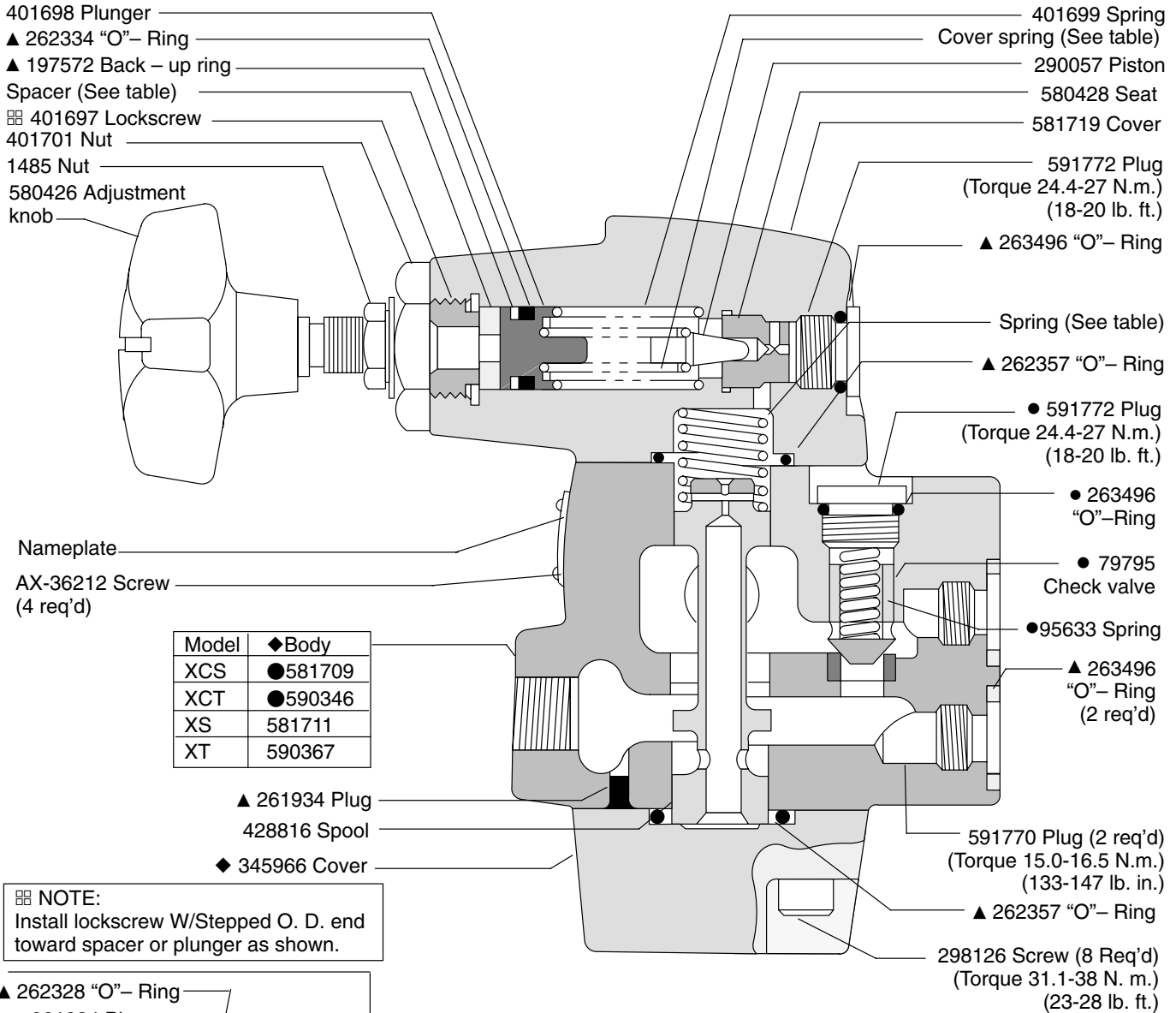
# Pressure Relief



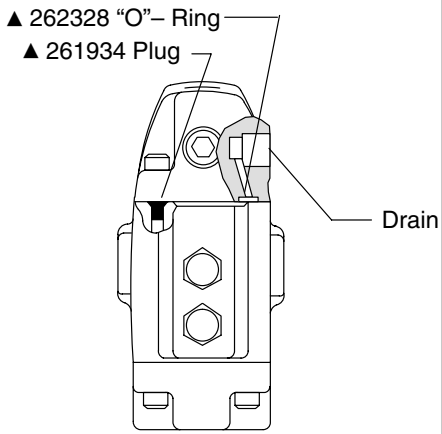
## Pressure Reducing Valves

**X(C)T-03-\*\*-30**

**X(C)S-03-\*\*-30**



**NOTE:**  
 Install lockscrew W/Stepped O. D. end toward spacer or plunger as shown.



Model	Spring	Cover spring	Spacer	Pressure range P.S.I.	Rated flow USgpm
XC*-03-1B-30	428817	2280		75-1000	7
XC*-03-1F-30	428818			150-1000	14
XC*-03-2B-30	428817	583937		75-2000	7
XC*-03-2F-30	428818			150-2000	14
XC*-03-3F-30		401700	386715	150-2850	

◆ Not available for sale.

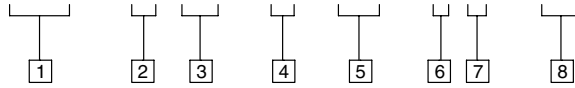
● Used on model XCS & XCT only.

▲ Service all units with F3 seal kit 919836.



# Model Code

**(F3) - X (C) \* - 03 - \* \* - 30**



**1 Seals**

**F3** - Seals for mineral oil and fire resistant fluids

**2 Pressure Reducing Valve**

**3 Integral Check Valve**

Omitted – no check valve

**4 Threaded Connections**

**S** - .750-16 UNF-2B thd.  
**T** - 3/8 inch NPTF thd.

**5 Nominal valve size**

**03** - 3/8 inch

**6 Maximum adjustable pressure**

**1** – 1000 PSI  
**2** – 2000 PSI  
**3** – 3000 PSI

**7 Maximum rated flow capacity**

**B** -7 USgpm  
**F** -14 USgpm

**8 Design**

For satisfactory service life of these components, use full flow filtration to provide fluid which meets ISO cleanliness code **20/18/15** or cleaner. Selections from Eaton OFP, OFR and OFRS filter series are recommended.