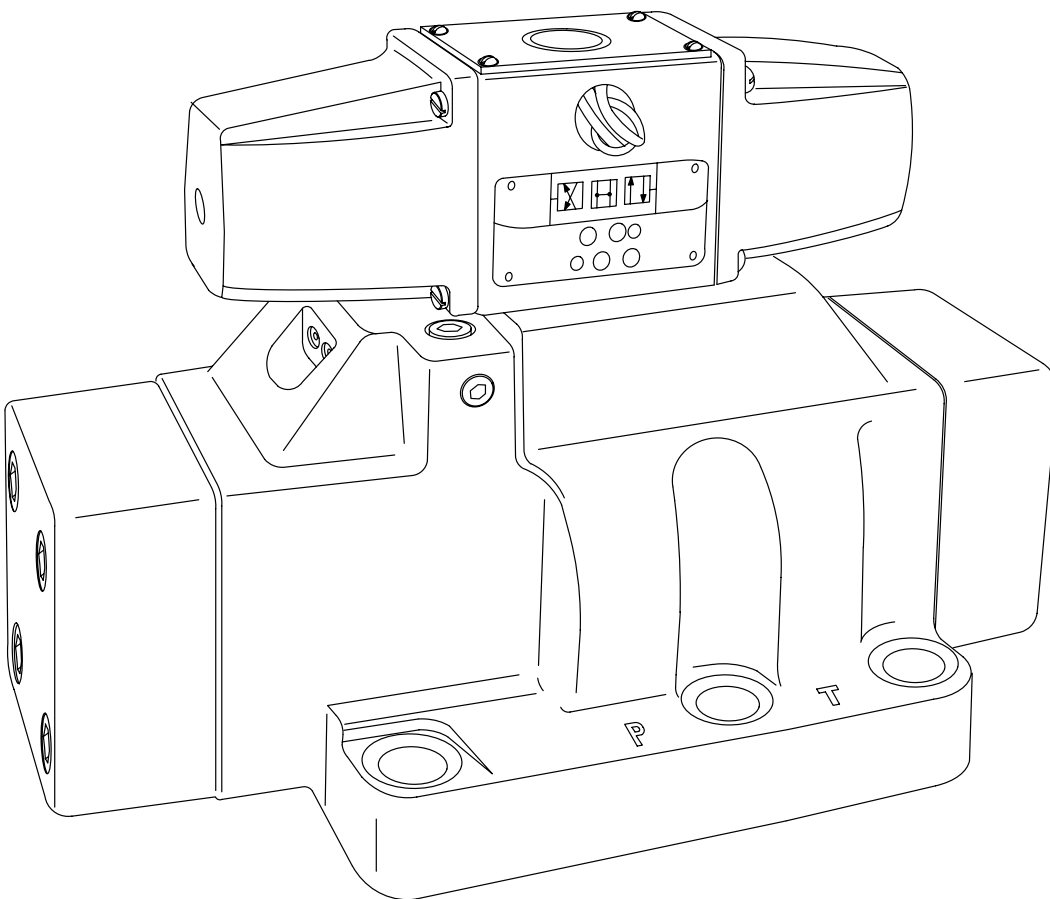


Directional Controls



Air Gap, Solenoid Controlled, Pilot Operated Directional Control Valves

DG5S4(L)-10*D(X)-*-*-53



Model	Spool	ID Plate W/ Circuit Diagram
DG5S4-100D-53	364037	400967
DG5S4-101D-53	*331404	400968
DG5S4-102D-53	364038	400969
DG5S4-103D-53	*277479	400970
DG5S4-104D-53	281193	400971
DG5S4-106D-53	364039	400972
DG5S4-108D-53	364041	400971
DG5S4-109D-53	277563	400967
DG5S4-1033D-53	364042	400972

***Spool Assembly Note**

Assemble type "1" and "3" Spools with narrow center land toward "A" end of valve. "A" end is defined as being closest to cylinder port "A".

Seal Kit Note

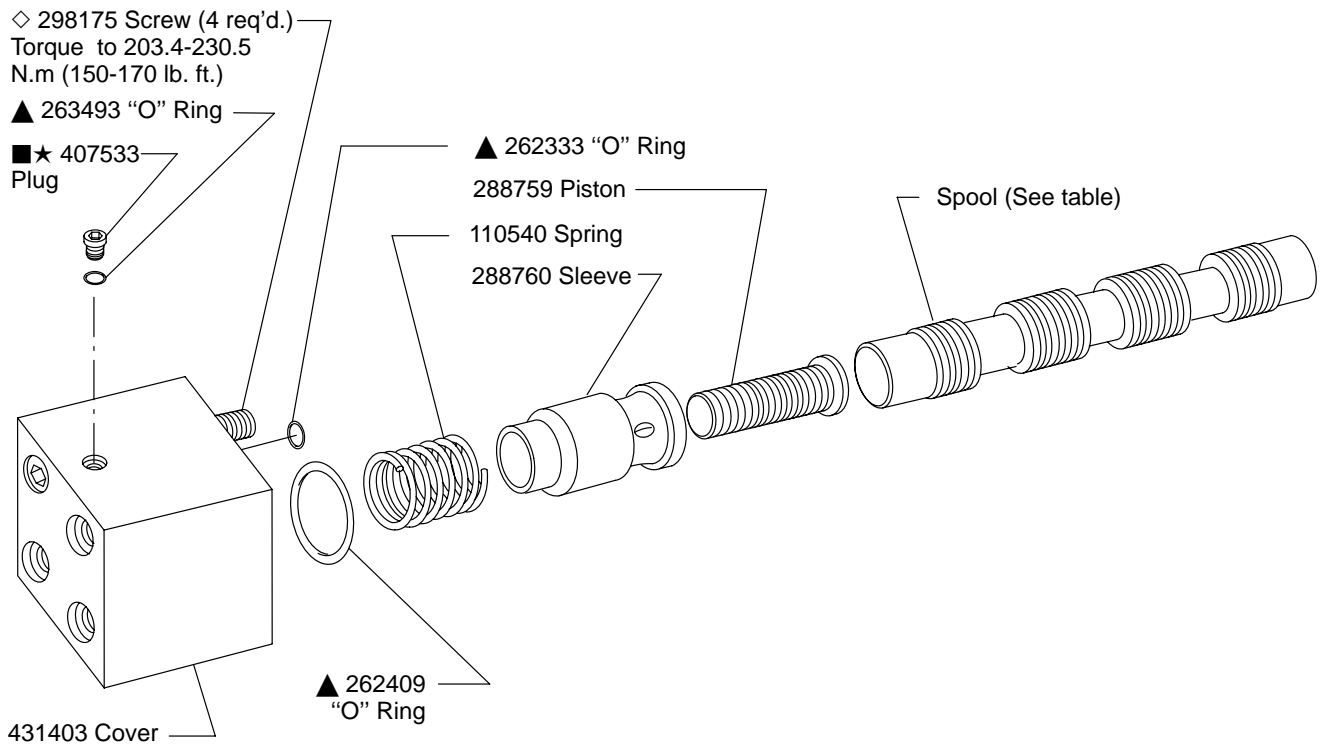
The -53 design valves are manufactured as shown with F3 seals used internally. Interface seals are standard Nitrile material and are converted to F3 in the seal kit. All seals in the seal kit are F3.

■ Plug Torques (Oiled)		
Plug	N.m	lb. in.
7074	8.5 - 9.6	75-85
7075	20.0-23.0	180-205
30560	8.5-9.6	75-85
224026	8.5-9.6	75-85
226987	8.5-9.6	75-85
343740	10.0-11.8	90-105
363889	16.9-18.0	150-160
407533	3.4-4.0	30-35

★ Plug Installation Table

Model	Plug "A"	Plug "B"
-10*D-53	226987	Out
-10*D-E-53	7074	226987
-10*DA-53	30560	Out
-10*DA-E-53	7074	30560
-10*DAX-53	Out	Out
-10*DAX-E-53	7074	
-10*DB-53	224026	224026
-10*DB-E-53	7074	

7074 is an NPTF Pipe Plug.
Others are NPTF Orifice Plugs.



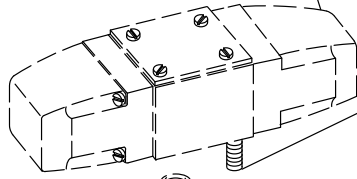
- ▲ Included in F3 Seal Kit 920213
- ◇ Included in Fastener Kit 941273
- Included in Bolt Kit 255654
- ☑ Included in Bolt Kit 255633
- ★ Included in Plug Kit 941263
- Plug Torques (See table)
- ◆ Not available for sale

Note
SAE straight thread plugs used on exterior of valve.

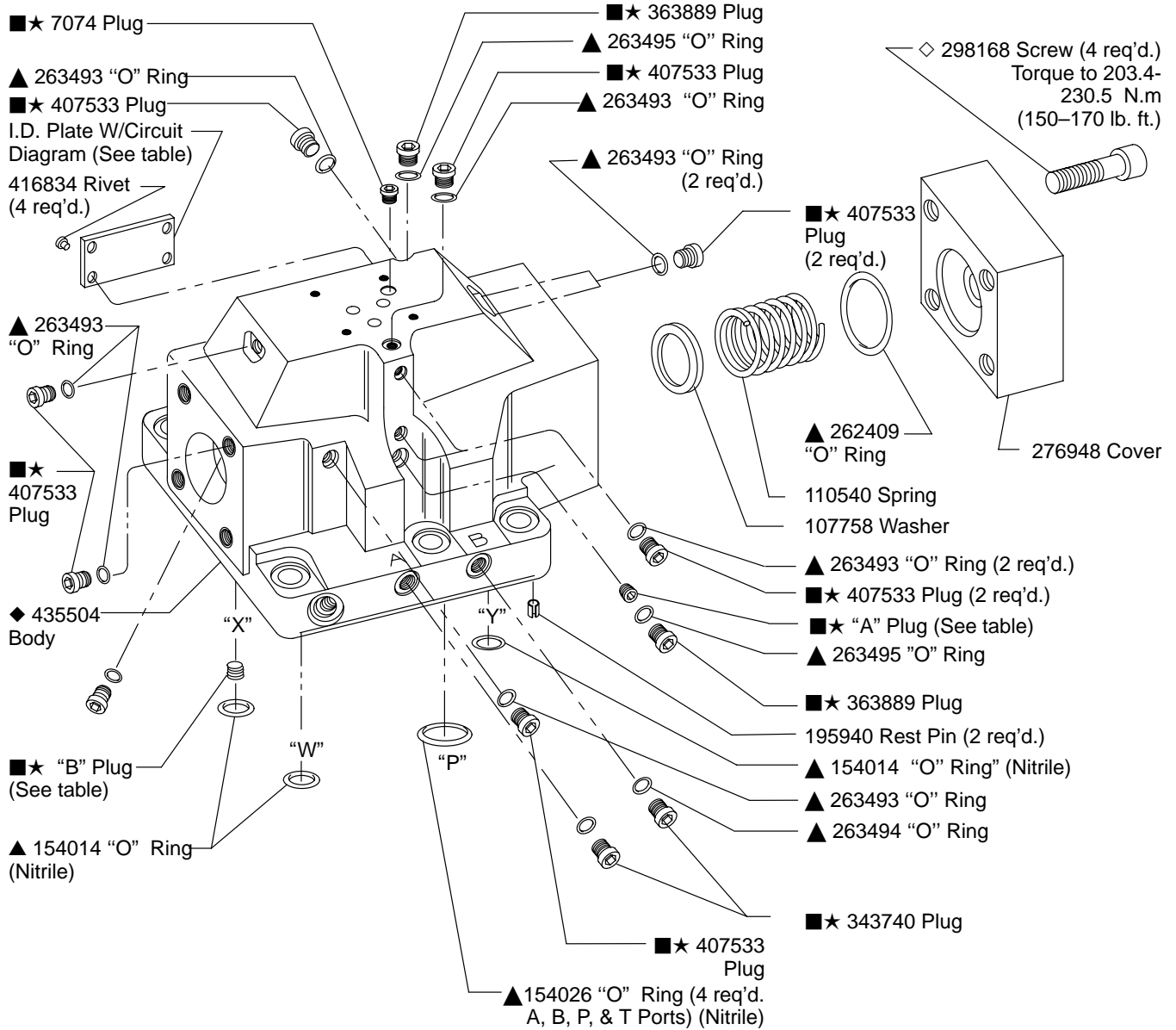
Note
Parts included in service kits not sold separately.

Pilot Model	Main Stage Spool Type
DG4S4-017C-*-50	0, 1, 2, 3, 6, 9 & 33
DG4S4-0178C-*-50	4 & 8
See back page for Pilot Valve exploded view	

Pilot Attaching Parts		
Model	Bolt (4 req'd)	L'Washer (4 req'd.)
W/Out Pilot Choke	☑ 1034	☑☐ 68907
With Pilot Choke	☐ 10938	
Torque to 11.3-12.7 N.m 100-112 lb. in.		
See back page for Pilot Choke Parts Breakdown		



199811 "O" Ring (5 req'd.) (Ref.)
(Nitrile)

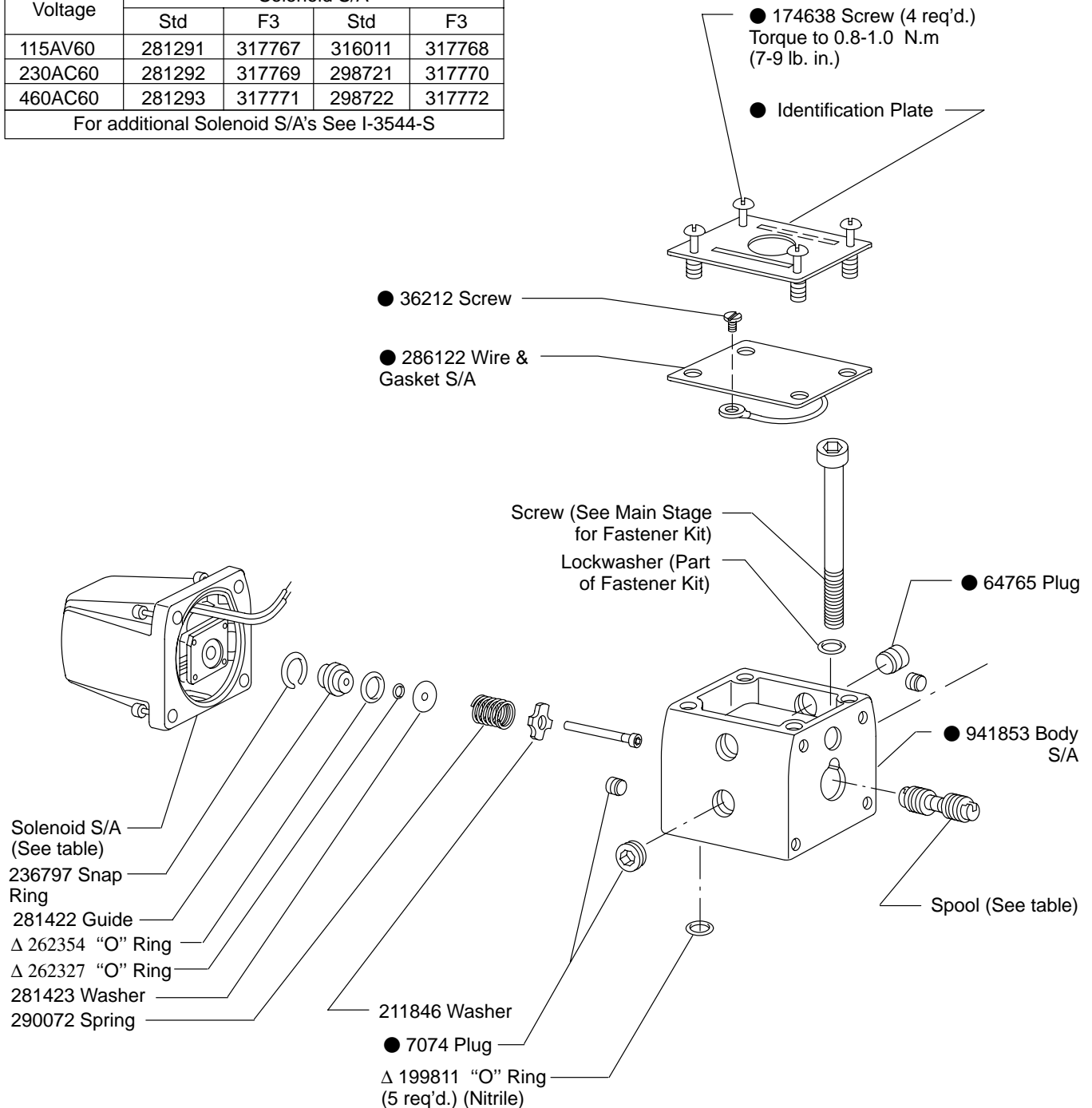


Seal Kit Note

The -53 design valves are manufactured as shown with F3 seals used internally. Interface seals are standard Nitrile material and are converted to F3 in the seal kit. All seals in the seal kit are F3.

Voltage	Solenoid S/A			
	Std	F3	Std	F3
115AV60	281291	317767	316011	317768
230AC60	281292	317769	298721	317770
460AC60	281293	317771	298722	317772

For additional Solenoid S/A's See I-3544-S



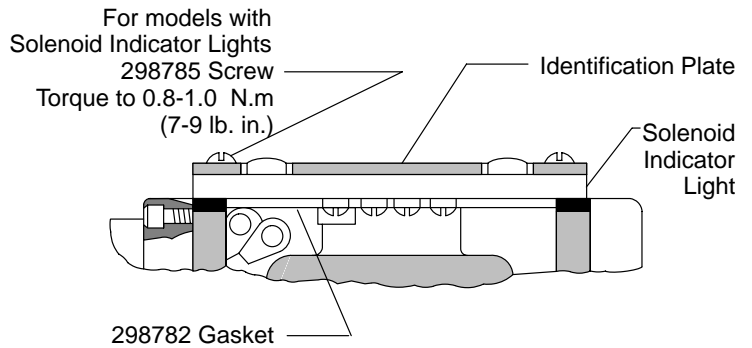
● Included in 941853 Body S/A

Δ Included in F3 Pilot Valve Seal Kit 919214

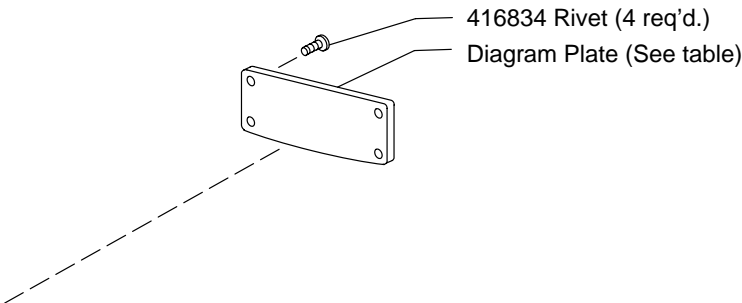
DG4S4-01*C-50 Pilot Valve		
Spool		Diagram Plate
Type	Part	
7	236624	290346
78		577482

Note
A Spool designation of (78) indicates valve issued as a pilot for two Stage Valves with "4" or "8" type Main Stage Spools.

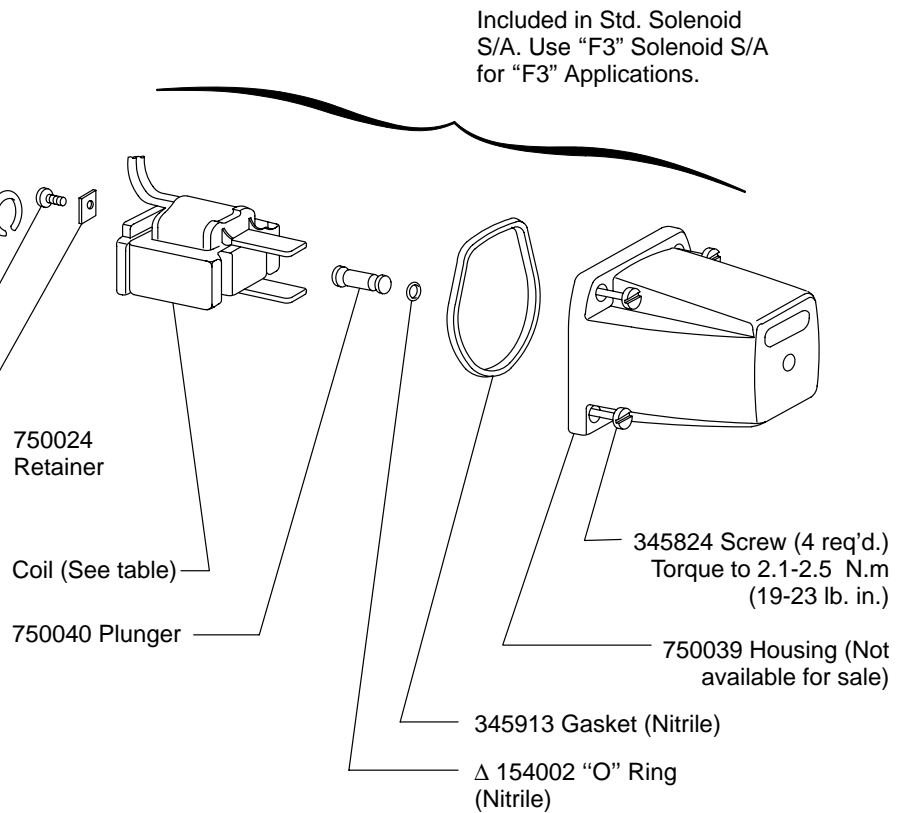
Note
Refer to Parts Drawing I-3487-S for Models with Plug-In Feature.



Solenoid Indicator Light Kit (Includes all parts identified)	
Voltage Range	Kit
100 thru 127	941615
192 thru 233	941617

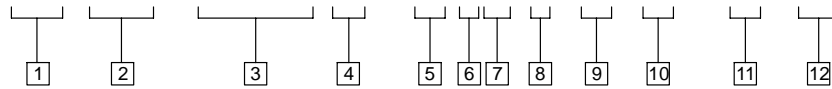


- 213168 Push Pin (2 req'd.)
- 211846 Washer
- 290072 Spring
- 281423 Washer
- Δ 262327 "O" Ring
- Δ 262354 "O" Ring
- 281422 Guide
- 236797 Snap Ring
- 345825 Screw
Torque to 3.4-3.9 N.m
(30-35 lb. in.)



Model Code

(F3) (P) - DG5S4 (L) - 10 * D (*) (X) (**) - (E) - 53**



1 Seal Material

F3 - Seals for mineral oil and fire resistant fluids(Viton seals)

2 Electrical Plug Feature
(See note below)

3 Model Series

DG5S4 - Directional valve, subplate or manifold mounted, solenoid controlled, pilot operated, sliding spool, flow directions 4 - 4 way

4 Solenoid Indicator Lights

L - Light
Omitted - None

5 Series

10 - 100 (1.250 inch)

6 Spool Type

Main Stage Spool

7 Pressure Centered

Pilot Pressure Range
A - 20.7 - 70.0 bar (300 to 1000 psi)
B - 70.0 - 138.0 bar (1000 to 2000 psi)
Omitted - 138.0 - 270.0 bar (2000 to 3000 psi)

8 Response

"X" - Fast response model (available only for "A" pilot press range)
Omitted - Low shock model

9 Spool Control Modifications
(Omit if not required)

2 - Pilot choke adjustments
8 - Stroke adj. cylinder "B" end only
2-8 - If both are required

10 Pilot Pressure

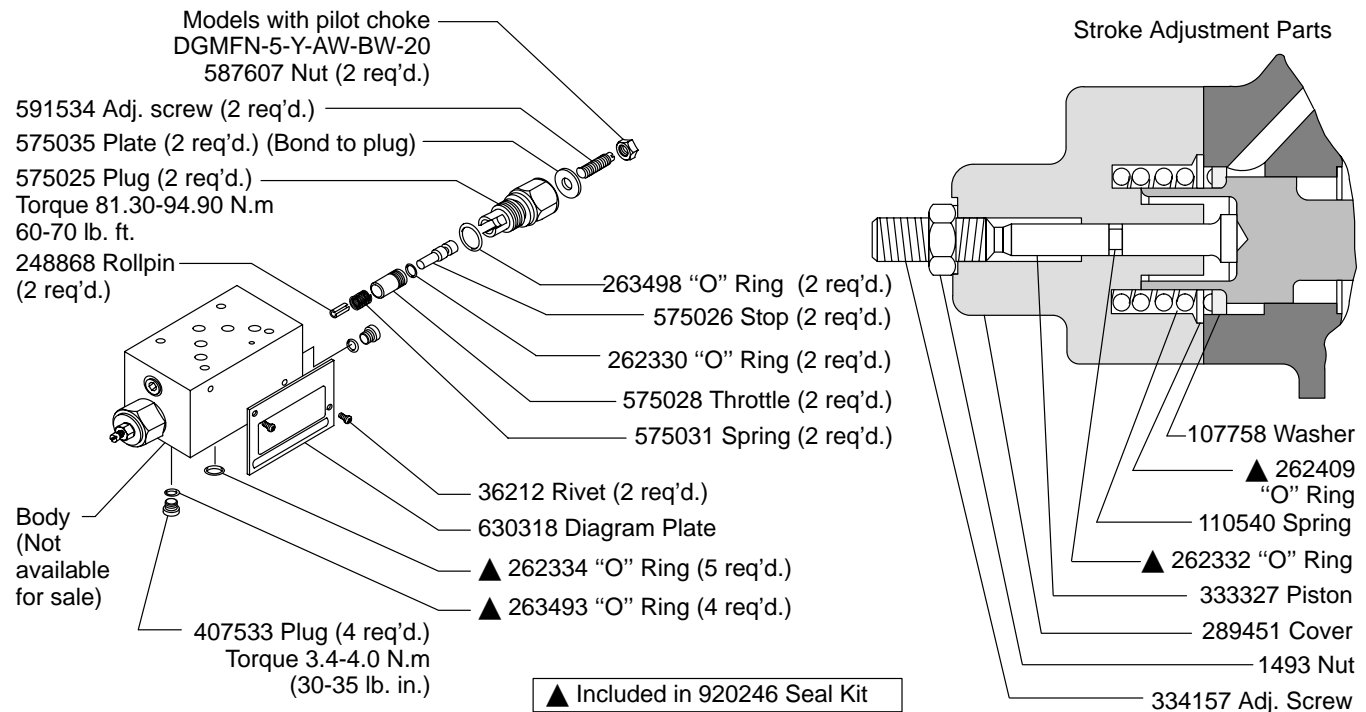
E - External
Omitted - Internal

11 Core Tube

W - Non serviceable
W3 - Serviceable

12 Coil Identification Letter

13 Design



Electrical Plug Feature (Omit if not required)

PA - Insta-Plug, Male Receptacle only
PB - Insta-Plug, Male & Female Receptacle

PA3 (3Pin) & **PA5** (5PIN) Receptacles that meet NFPA Hydraulic Valve Electrical Standard T3.5.29M-1980.

For satisfactory service life of these components in industrial applications, use full flow filtration to provide fluid which meets ISO cleanliness code 20/18/15 or cleaner. Selections from Eaton OFF, OFR, and OFRS series are recommended.