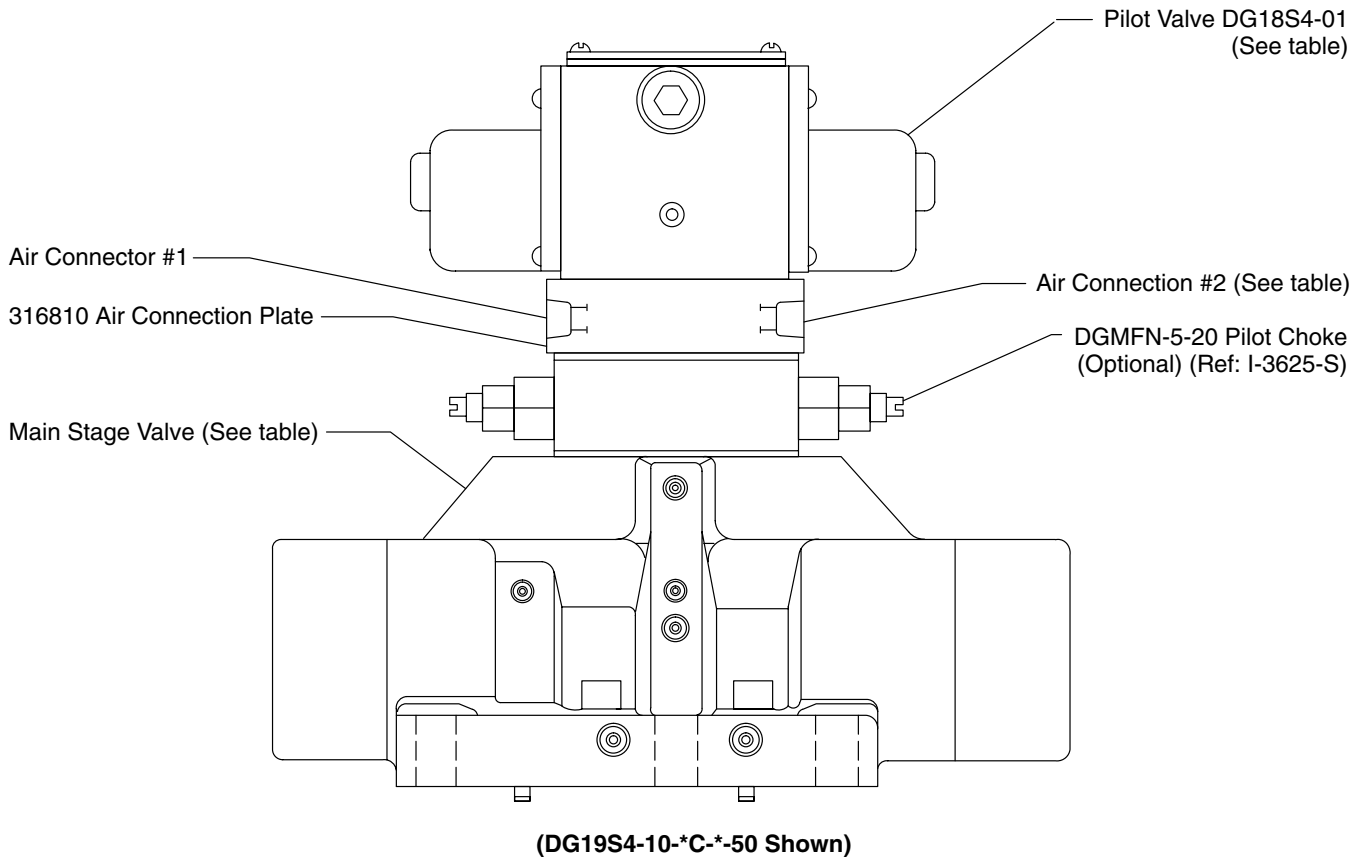


Air Controlled Pilot Operated Directional Valve

DG19S4-10-**-*-53



To Make Model	Use Main Stage Portion Of:	Main Stage Parts Drwg.	And Pilot Valve	Pilot Valve Parts Drwg.
DG19S4-10-*A-*53	DG5S4-10-*A-*53	I-3624-S	DG18S4-0129A-52	I-3592-S
DG19S4-10-*C-*53	DG5S4-10-*C-*53	I-3624-S	DG18S4-0169C-52	
DG19S4-10-*D-*53	DG5S4-10-*D-*53	I-3625-S	DG18S4-0179C-52	
DG19S4-10-*N-*53	DG5S4-10-*N-*53	I-3624-S	DG18S4-0129N-52	I-3554-S

Note

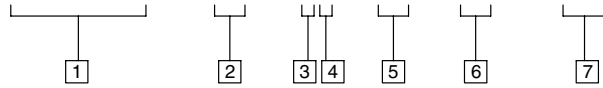
In addition to the parts shown in the above drawings, the following parts are required to connect the pilot valve and air connection plate to the main stage:

(4) 10935 Screws (4) 68907 Lockwasher (5) 199811 'O' ring

Note: If a pilot choke is used, (4) 10026 screws are used instead of (4) 10935 screws.

Model Code

DG19S4 - 10 - ** - * - 53 - (LH)



1 Model Series

Air controlled, pilot operated directional valve, sliding spool, 4-way flow direction

2 Interface

10 - NFPA-D10 (ISO-4401-10)

3 Main Stage Spool Type

4 Spool/Spring Arrangement

A - Spring offset
C - Spring Centered
D - Pressure Centered
N - No Spring Detented

5 Main Stage Options

(Refer to DG5S4 - 10 Parts Drwg.)

6 Design

7 Left Hand Built Pilot Valve

For spring offset to cyl. 'B' models only
(Omit for std. spring offset to cyl. 'A'
models)