

# Check Valves



Service Parts Information

## Pilot Operated Check Valve

4CT-10-(D)\*-20  
4CG-10-(D)\*-20

4CT-10-(D)\*-20

Model	Spring	P.S.I.	Check Valve	Guide Poppet
4CT-10-A-20	352444	30	359863	359862
4CT-10-DA-20			342609	357424
4CT-10-C-20	388354	75	359863	359862
4CT-10-DC-20			342609	357424
4CT-10-F-20	388355	150	359863	388391
4CT-10-DF-20			342609	388392

388515 Spring  
(For 'F' pressure range only)

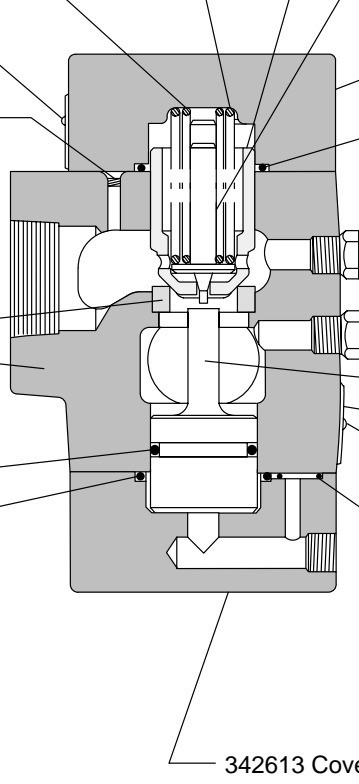
227375 Drive Screws  
(2 req'd)  
▲ 271344 Plug

342615 Body & Seat  
Subassembly Consists of:  
342608 Seat  
342614 Body

▲ 262397 O-Ring  
▲ 262407 O-Ring

373918 Designation Plate  
1073 Screw (8 req'd)

271344 Plug



342612 Cover

▲ 262407 O-Ring

136568 Plug (2 req'd)

342610 Piston

Nameplate

AX-36212 Screw  
(2 req'd)

▲ 262335 O-Ring

342613 Cover

▲ Included in F3 Seal Kit 919677



# Model Code

**(F3) - 4 C\* - 10 (D) \* - 20**

└─┬─┘
└─┬─┘
└─┬─┘
└─┬─┘
└─┬─┘
└─┬─┘
└─┬─┘

1
2
3
4
5
6
7

**1 Seal Material**

**F3** - Multi-Fluid Capability  
(Viton Seals)

**3 Mounting**

**G** - Gasket mounted  
**T** - Threaded connection

**6 Pressure Range**

**A** - 30 psi  
**C** - 75 psi  
**F** - 150 psi

**2 Model Series**

**4C** - Pilot operated check valve

**4 1 1/4" Size**

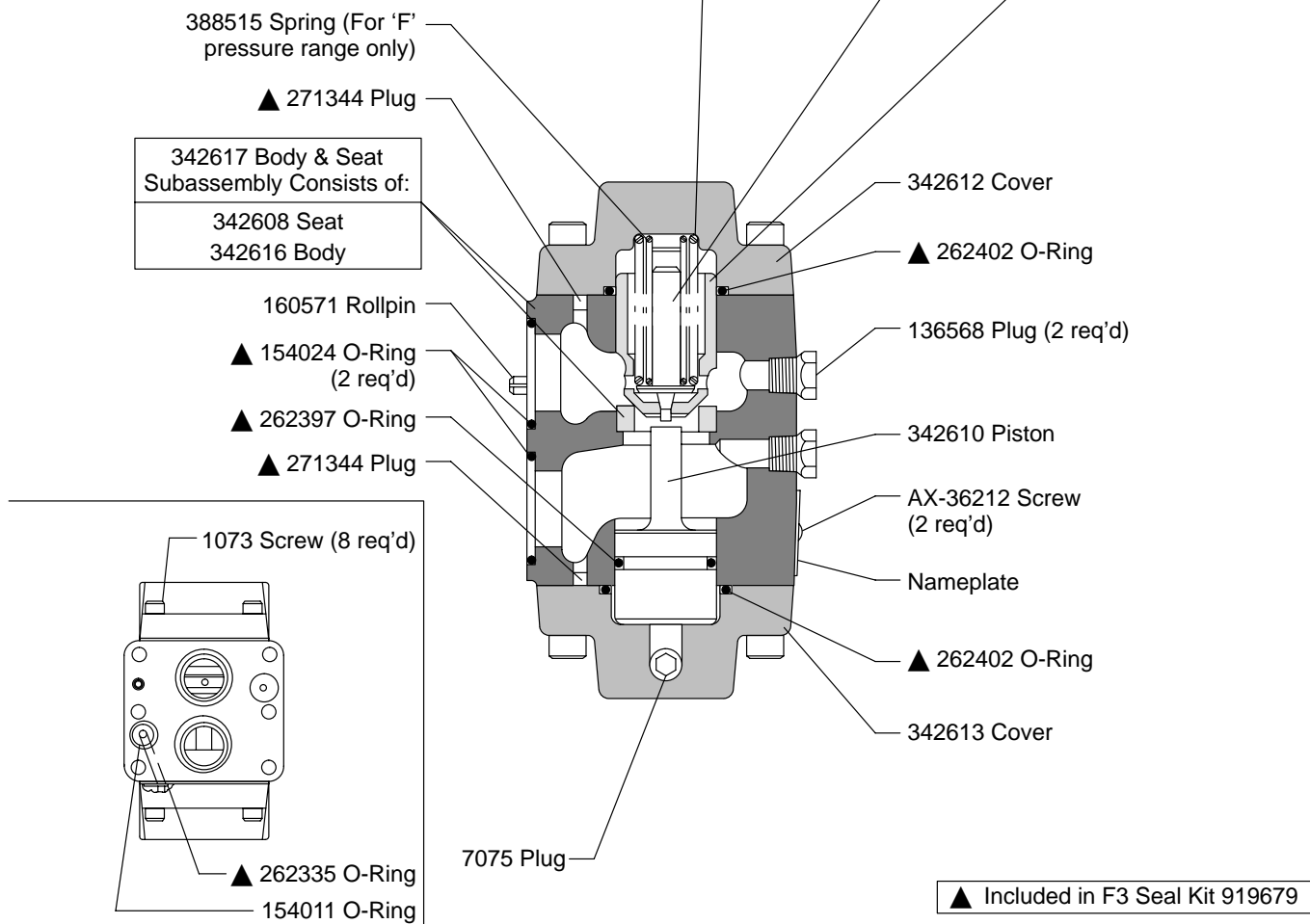
**5 Decompression Feature**

Omitted - No decompression feature

**7 Design**

**(F3)4CG-10-(D)\*-20**

Model	Spring	P.S.I.	Guide Poppet	Check Valve
4CG-10-A-20	352444	30	359862	359863
4CG-10-DA-20			357424	342609
4CG-10-C-20	388354	75	359862	359863
4CG-10-DC-20			357424	342609
4CG-10-F-20	388355	150	388391	359863
4CG-10-DF-20			388392	342609



For satisfactory service life of these components, use full flow filtration to provide fluid which meets ISO cleanliness code 20/18/15 or cleaner. Selections from Eaton OFP, OFR and OFRS filter series are recommended.

Printed in U.S.A.