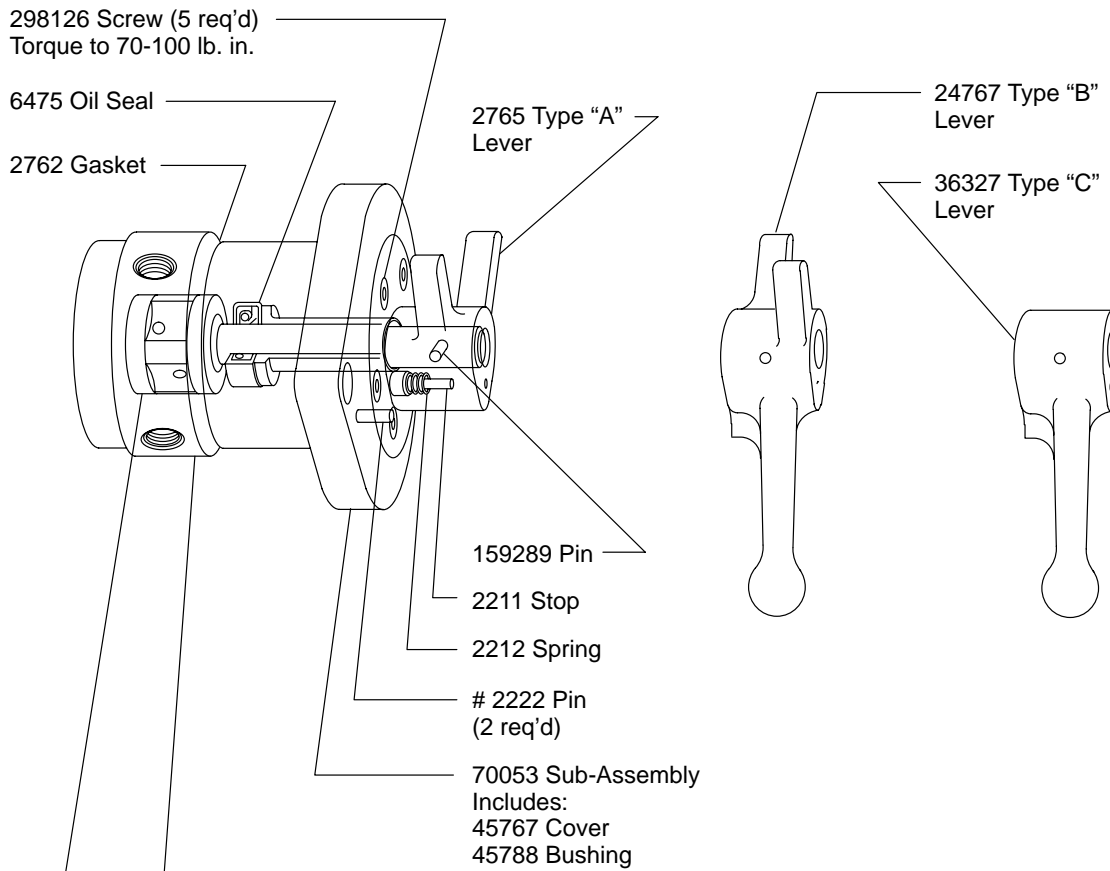


Directional Controls




Rotary Type Pilot Valves

C2-529-* Series
C2-1529-* Series

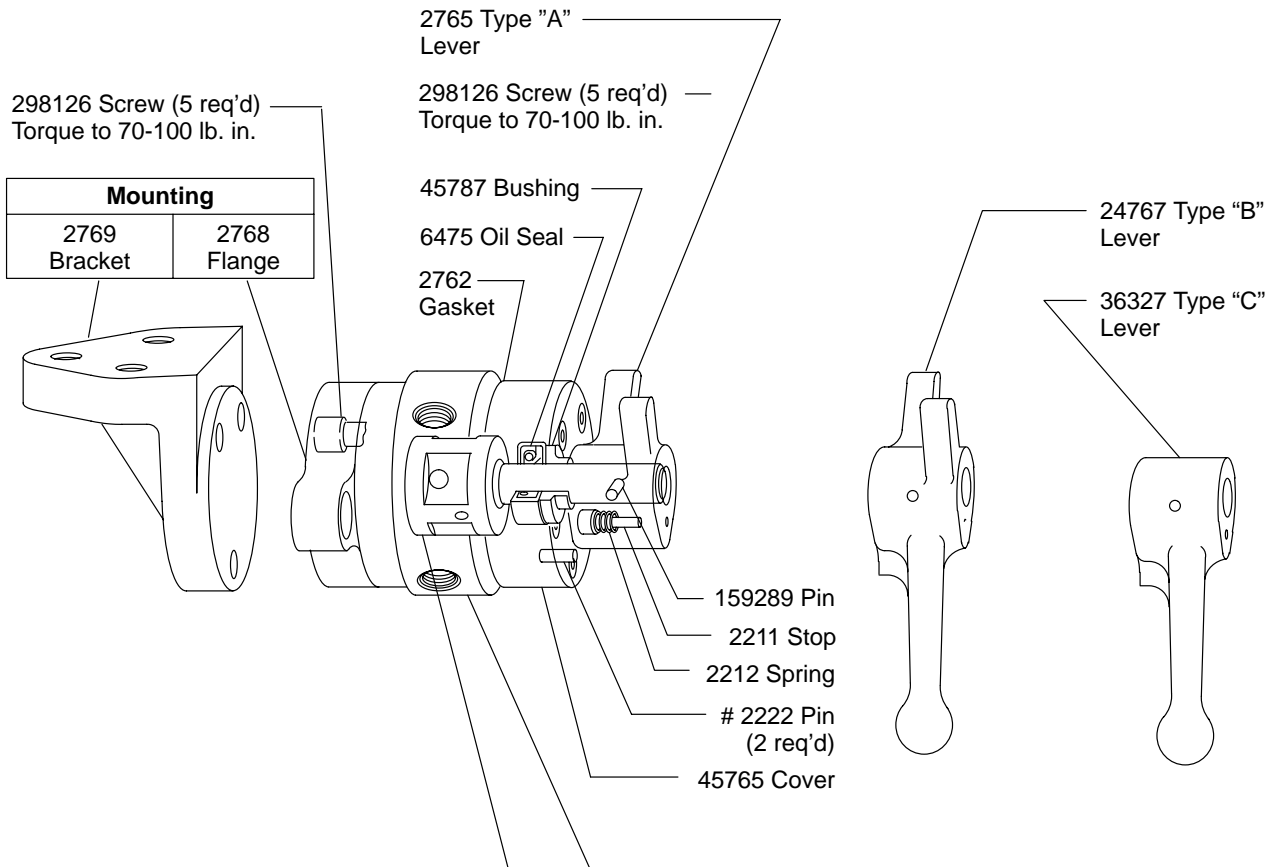


Spool	Body	Model	Type
45771	3268	C2-529-*	Internal Drain
45780	7266	C2-1529-*	External Drain

Note
Refer to installation drawing 514200 for correct locations of Type "A", "B", and "C" Levers.

 **WARNING**
Use this drawing for parts information only.

Used on models with Type "B" or type "C" lever only.



Models with Internal Drain				Spool	Body	Type of Mounting
No Lever	Type "A" Lever	Type "B" Lever	Type "C" Lever			
C2-523	C2-523-A	C2-523-B	C2-523-C	45770	3268	_____
C2-524	C2-524-A	C2-524-B	C2-524-C			Flange
C2-525	C2-525-A	C2-525-B	C2-525-C			Bracket
Models with External Drain				Spool	Body	Type of Mounting
No Lever	Type "A" Lever	Type "B" Lever	Type "C" Lever			
C2-1523	C2-1523-A	C2-1523-B	C2-1523-C	45779	7266	_____
C2-1524	C2-1524-A	C2-1524-B	C2-1524-C			Flange
C2-1525	C2-1525-A	C2-1525-B	C2-1525-C			Bracket

Note
Refer to installation drawing 514200 for correct locations of Type "A", "B", and "C" Levers.

used on models with Type "B" or type "C" lever only.