

Service Data

Vickers®

Directional Controls



Directional and Deceleration Valves

DG1(7)S*-01*(*)-50

DG2S*-012A-50

DG16S2-010A-50



DIRECTIONAL VALVES
DG1(7)S*-012A-50
DG2S*-012A-50

DECELERATION VALVE
DG16S2-010A-50

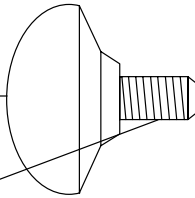
Model	Screw
DG1S*-	185645 (4 req'd)
DG2S*-	
DG16S2-	
DG17S*-	185645 (2 req'd)

DG2S*- and DG16S2- Models



283633 Ball

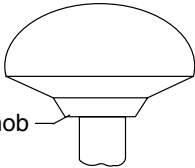
DG1S*- Models



283635 Knob

243367 Set screw

DG17S*- Models



283635 Knob

3289 Lever

243367 Set screw

1485 Nut

3290 Clevis

1866 Cotter Pin
(3 req'd)

3293 Pin (3 req'd)

256693 Link

11014 Screw (2 req'd)

26262 Washer (2 req'd)

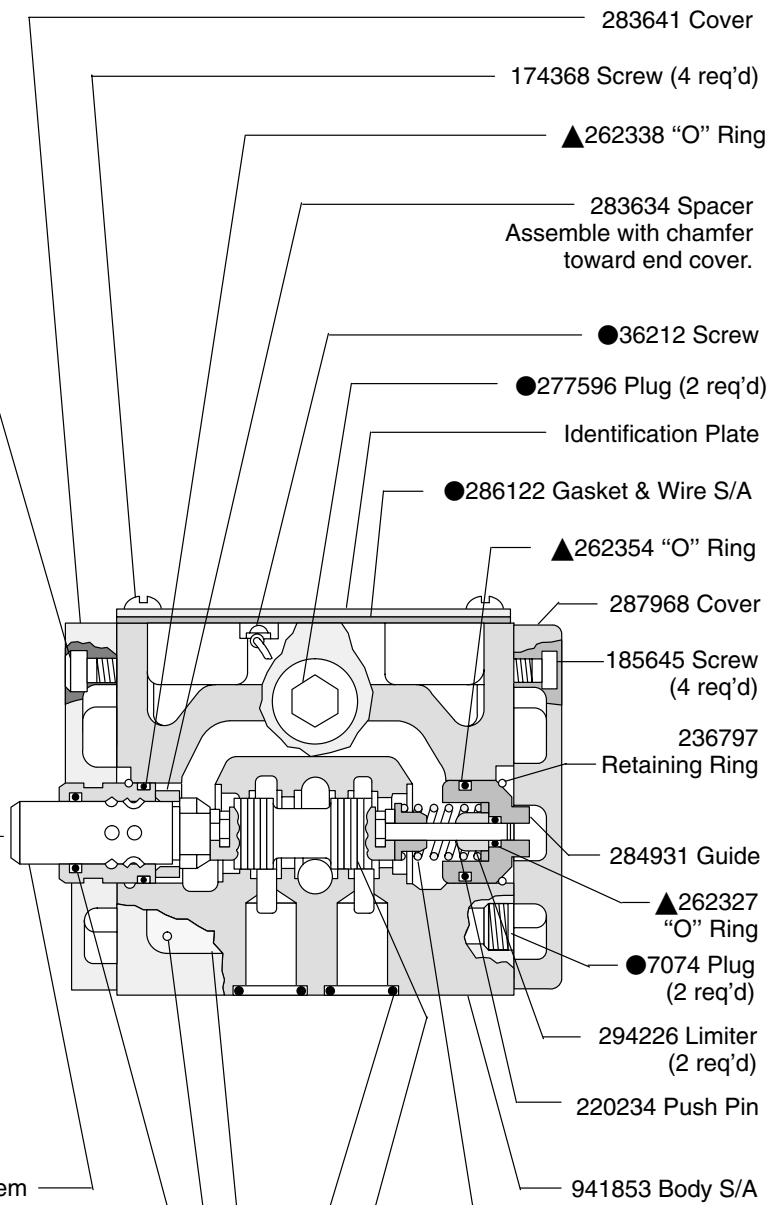
283638 Bracket

▲ Included in
Seal Kit 919423

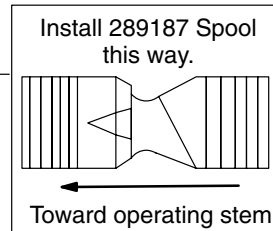
Equivalent F3
Seal Kit 919432

Model	Spool
DG1S2-012A-50	289186
DG1S4-012A-50	213231
DG2S2-012A-50	289186
DG2S4-012A-50	213231
DG16S2-010A-50	289187
DG17S2-012A-50	289186
DG17S4-012A-50	213231

● Included in
941853 Body S/A



Model	Spring
DG1(7)S*-	250738
DG2S*-	248596
DG16S2-	



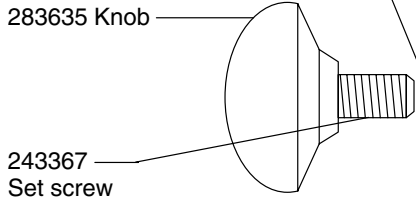
DIRECTIONAL VALVES
DG1(7)S*-01*(C)-50
DG1(7)S*-01*N-50

*Assemble on spool with sharp break edge of washer toward the spring.

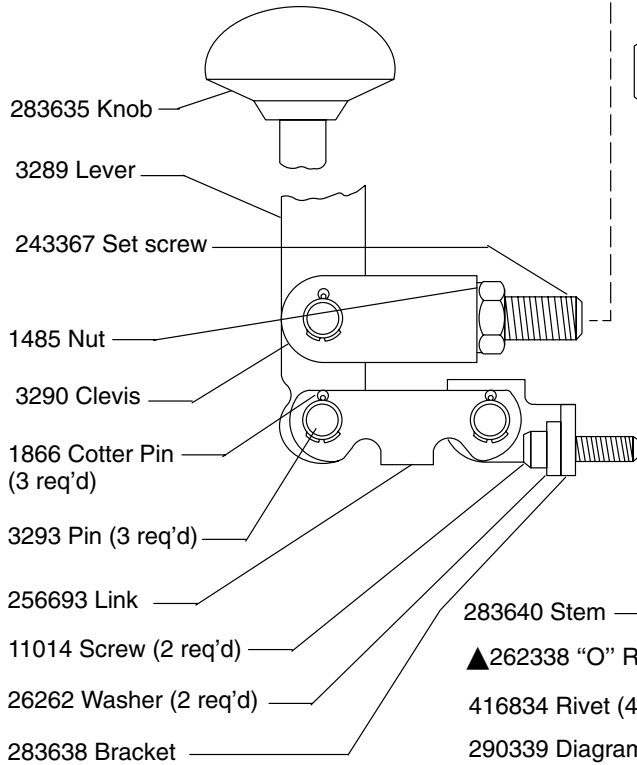
Spacer	Model	Washer	Spring	Spacer	Spacer	Washer	Spacer
283634	DG1(7)S2-012-50	—	—	—	298110	—	—
—	DG1S4-018C-50	*283637	290072	—	349821	283632	—
	DG1S4-01*C-50	283632		283639	283639		283631
	DG17S4-018C-50	*283637	312100	—	349821		283631
	DG17S4-01*C-50	283632		283639	283639		283639
	DG1(7)S4-018N-50	—		—	349821		—
283634	DG1(7)S4-01*N-50	—	—	—	298110	—	

Model	Screw
DG1S*-	185645 (4 req'd)
DG17S*-	185645 (2 req'd)

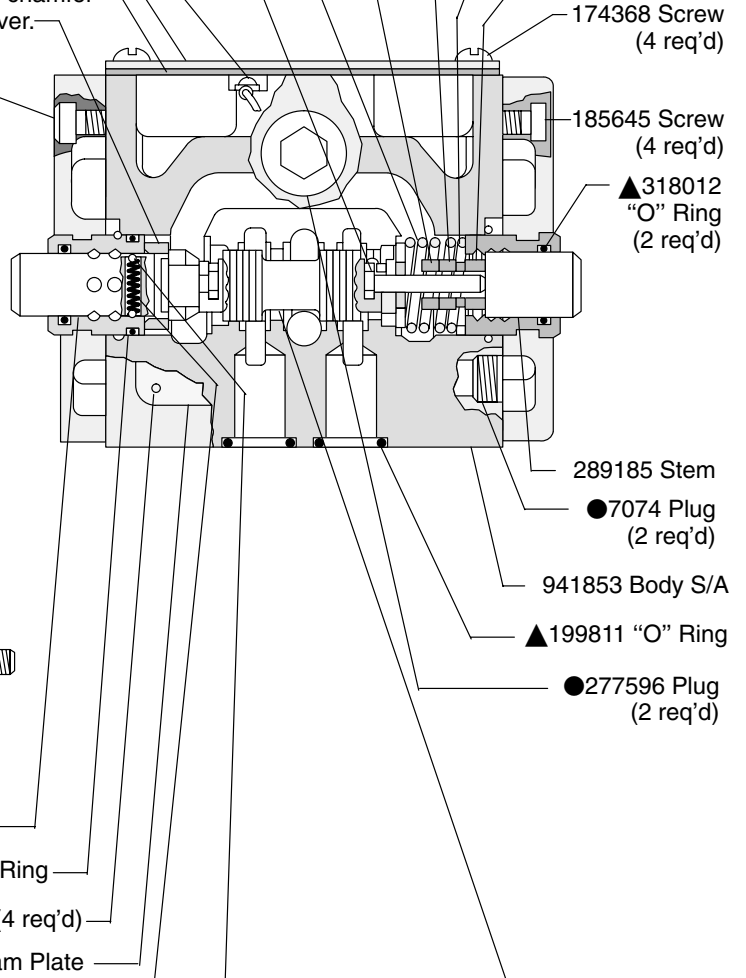
DG1S*- Models



DG17S*- Models



- 36212 Screw
- Identification Plate
- 286122 Gasket & Wire S/A
- Assemble with chamfer toward end cover.



Model	Spring	Ball (2 req'd)
DG1(7)S4-01*N-50	256725	242746

Note
 Detent parts shown in position for type 8 spool. Assemble in hole closer to end cover for all other spools.

Model	Spool
DG1(7)S2-012-50	289186
DG1(7)S4-010*-50	213230
DG1(7)S4-011*-50	276278
DG1(7)S4-012*-50	213231
DG1(7)S4-013*-50	239903
DG1(7)S4-016*-50	213232
DG1(7)S4-017*-50	236624
DG1(7)S4-018*-50	235637
DG1(7)S4-0133*-50	236615

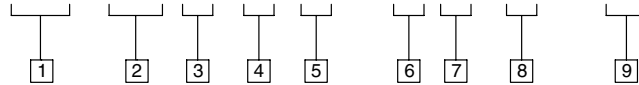
▲Included in Seal Kit 919423

Equivalent F3 Seal Kit 919432

●Included in 941853 Body S/A

Model Code

(F3) DG * 01 * - S * (*) - 50



1 Seals

F3 - Multi-fluid capability Viton® seals
Viton is a registered trademark of E.I. DuPont

2 Model Series

DG - Directional valve, manifold or subplate mounted

3 Valve Type

- 1 - Directional valve, manually operated, knob
- 2 - Directional valve, mechanically operated
- 16 - Deceleration valve, mechanically operated
- 17 - Directional valve, manually operated, lever

4 Spool Type

01 - Sliding spool

5 Flow Direction

- 2 - 2 way
- 4 - 4 way

6 Series

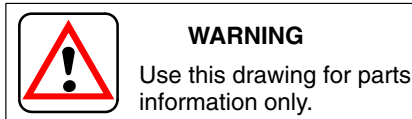
10

7 Spool Type

8 Spool Positioning

- Omitted** - No springs or detents
- A** - Spring offset
- C** - Spring centered
- N** - Detented

9 Design



For satisfactory service life of these components, use full flow filtration to provide fluid which meets ISO cleanliness code 18/15 or cleaner. Selections from Eaton OFP, OFR and OFRS filter series are recommended.