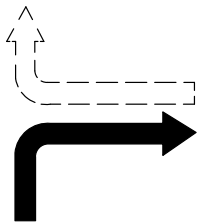
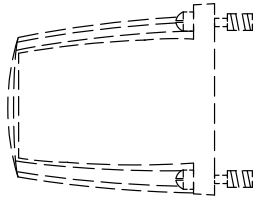
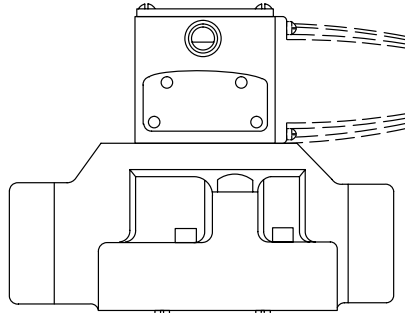
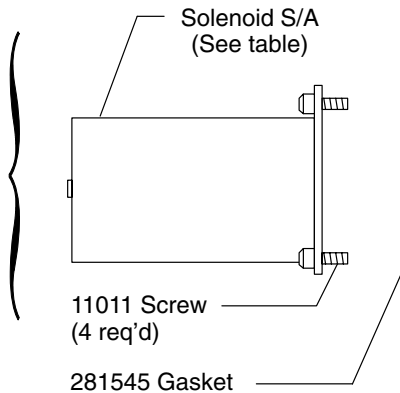


Directional Valves with Direct Current Solenoids

THIS PART  
↓  
IS REPLACED BY



THESE PARTS



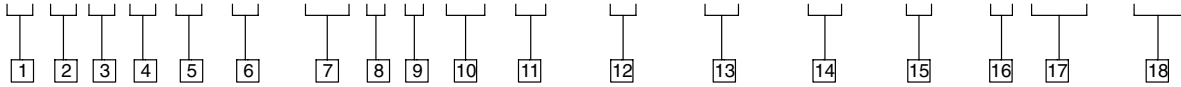
The same change applies to this end for models with two solenoids

Voltage DC	Solenoid S/A	Coil	F3 S/A Solenoid	F3 Coil
6	290838	291582	—	—
12	290839	291583	751283	751284
24	290840	291584	393091	393090
28	320223	320224	—	—
30	320227	320228	—	—
32	323224	323225	—	—
36	326039	326311	—	—
40	392502	392503	—	—
48	324739	324740	585214	585215
50	385683	385684	—	—
60	320641	320642	—	—
72	326043	326315	—	—
90	326038	326310	—	—
110	320218	320219	750463	750464
115	321986	321987	—	—
120	326041	326313	—	—
125	318717	318718	751264	751265
130	326042	326314	—	—
220	326040	326312	751270	751276
230	318392	318393	751266	751267
240	326044	326316	751268	751269
250	306083	306084	751272	751273

On Model	Shown on Drawing			To Make Model
	-50	-51	-53/54	
DF5S4-16*A-50/53	I-3486-S	—	I-3622-S	DF5S4-16*A-*DC-50/53
DF5S4-16*B-53	—	—		DF5S4-16*B-*DC-53
DF5S4-16*C-50/53	I-3482-S	—		DF5S4-16*C-*DC-50/53
DF5S4-16*N-50/51/53		I-3482-S		DF5S4-16*N-*DC-50/51/53
DF5S4-06*A-50/51	I-3492-S	I-3502-S	—	DG5S4-16*A-*DC-50/51
DF5S4-06*C-50/51	I-3490-S	I-3473-S		DG5S4-06*C-*DC-50/51
DF5S4-06*D-50/51	I-3493-S	I-3504-S		DG5S4-06*D-*DC-50/51
DF5S4-06*N-50/51	I-3491-S	I-3474-S		DG5S4-06*N-*DC-50/51
DF5S4-10*A-50/51/53/54	I-3496-S	I-3513-S	I-3624-S	DG5S4-10*A-*DC-50/51/53/54
DF5S4-10*B-53/54	—	—		DG5S4-10*B-*DC-53/54
DF5S4-10*C-50/51/53/54	I-3494-S	I-3509-S		DG5S4-10*C-*DC-50/51/53/54
DF5S4-10*D-50/51/53/54	I-3497-S	I-3514-S	I-3625-S	DG5S4-10*D-*DC-50/51/53/54
DF5S4-10*N-50/51/53/54	I-3495-S	I-3512-S		DG5S4-10*N-*DC-50/51/53/54

# Model Code

**D \* 5 S 4 (L) - \* \* \* \* (X) (\*) - (\*) - (E) - (T) - (\*) - \* DC - 5\***



**1 Model Series**

**D** - Directional valve

**2 Mounting**

**F** - Flange connection  
**G** - Subplate or manifold mounted

**3 Operation**

Solenoid controlled, pilot operated

**4 Sliding Spool**

**5 Flow Directions**

**4** - 4 way

**6 Indicator lights**

**L** - Solenoid  
Omitted - None

**7 Series**

**06** - Series 60  
**10** - Series 100  
**16** - Series 160

**8 Type of Main Stage Spool**

**9 Spring**

**A** - Spring offset  
**C** - Spring centered  
**D** - Pressure centered  
**N** - No-spring detented

**10 Pressure**

**"X"** - Fast response models  
(for 100 series pressure centered models, "X" is available in the "A" pilot pressure range only)  
**Omitted** - Low shock model

**11 Pilot Pressure Range (100 series pressure)**

**A** - 300 to 1000 PSI  
**B** - 1000 to 2000 PSI

**12 Spool Control Modifications (Omit if not required)**

**1** - Stroke adjustments  
**2** - Pilot choke  
**3** - Pilot choke and stroke adjustment  
**7** - Stroke adjustment "A" end only  
**8** - Stroke adjustment "B" end only

**13 Pilot Pressures**

**E**- External pilot pressure  
Omitted - Internal pilot pressure

**14 Pilot Drain**

**T**- Internal pilot drain  
(not available on open center spools unless external pilot pressure (E) is used)  
Omitted - External pilot drain

**15 Check Valve**

**K**- 5 PSI cracking pressure  
**L**- 30 PSI cracking pressure  
**R**- 50 PSI cracking pressure  
**S**- 75 PSI cracking pressure

**16 DC Solenoid**

**17 Solenoid Voltage**

**18 Design**

-50/-51/-53/-54

