

Directional Controls

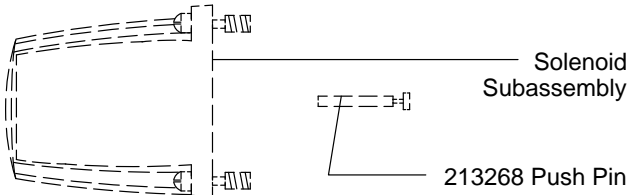


Service Parts Information

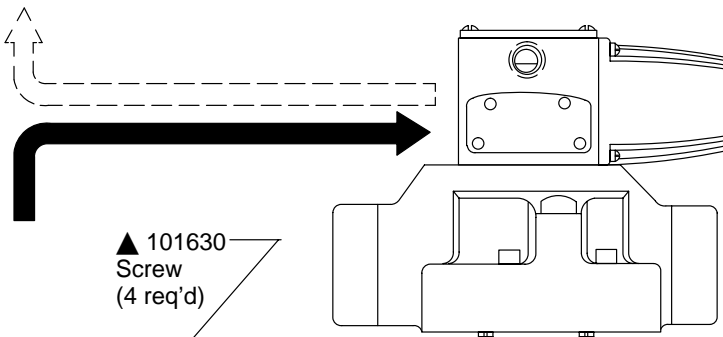
Directional Valves With Oil Immersed Solenoids

▲ Part included in 941769 Adapter Kit

These Parts

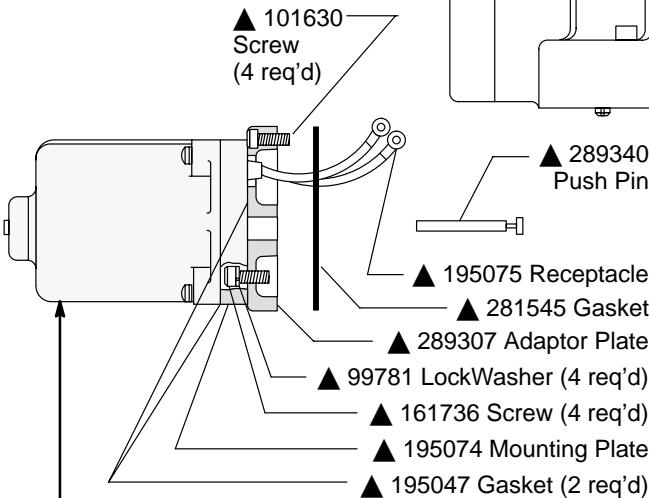


Are Replaced By



The same change applies to this end for models with two solenoids

These Parts



Solenoid S/A	Voltage
251505	24 AC 60
232960	110 AC 60
195053	115 AC 60
240996	120 AC 60
323163	215 AC 60
195054	230 AC 60
205687	115 AC 50
290899	120 AC 50
248640	220 AC 50
205688	230 AC 50
279926	240 AC 50
237544	415 AC 50
205689	460 AC 50
231583	110 AC 25

On Model

Shown on Drawing

To Make Model

- DF5S4(L)-16*A-50/53
- DF5S4(L)-16*B-53
- DF5S4(L)-16*C-50/51/53
- DF5S4(L)-16*N-50/51/53
- DG5S4(L)-06*A-50/51
- DG5S4(L)-06*C-50/51
- DG5S4(L)-06*D-50/51
- DG5S4(L)-06*N-50/51
- DG5S4(L)-10*A-50/51/53
- DG5S4(L)-10*B-53
- DG5S4(L)-10*C-50/51/53
- DG5S4(L)-10*D-50/51/53
- DG5S4(L)-10*N-50/51/53

-50 Design	-51 Design	-53 Design
I-3486-S		I-3622-S
I-3482-S		I-3622-S
I-3482-S	I-3482-S	I-3622-S
I-3492-S	I-3502-S	
I-3490-S	I-3473-S	
I-3493-S	I-3504-S	
I-3491-S	I-3474-S	
I-3496-S	I-3513-S	I-3624-S
		I-3624-S
I-3494-S	I-3509-S	I-3624-S
I-3497-S	I-3514-S	I-3625-S
I-3495-S	I-3512-S	I-3624-S

- DF5S4(L)-16*A-H-50/53
- DF5S4(L)-16*B-H53
- DF5S4(L)-16*C-H-50/51/53
- DG5S4(L)-16*N-H-50/51/53
- DG5S4(L)-06*A-H-50/51
- DG5S4(L)-06*C-H-50/51
- DG5S4(L)-06*D-H-50/51
- DG5S4(L)-06*N-H-50/51
- DG5S4(L)-10*A-H-50/51/53
- DG5S4(L)-10*B-H-53
- DG5S4(L)-10*C-H-50/51/53
- DG5S4(L)-10*D-H-50/51/53
- DG5S4(L)-10*N-H-50/51/53

