

# Directional Valves



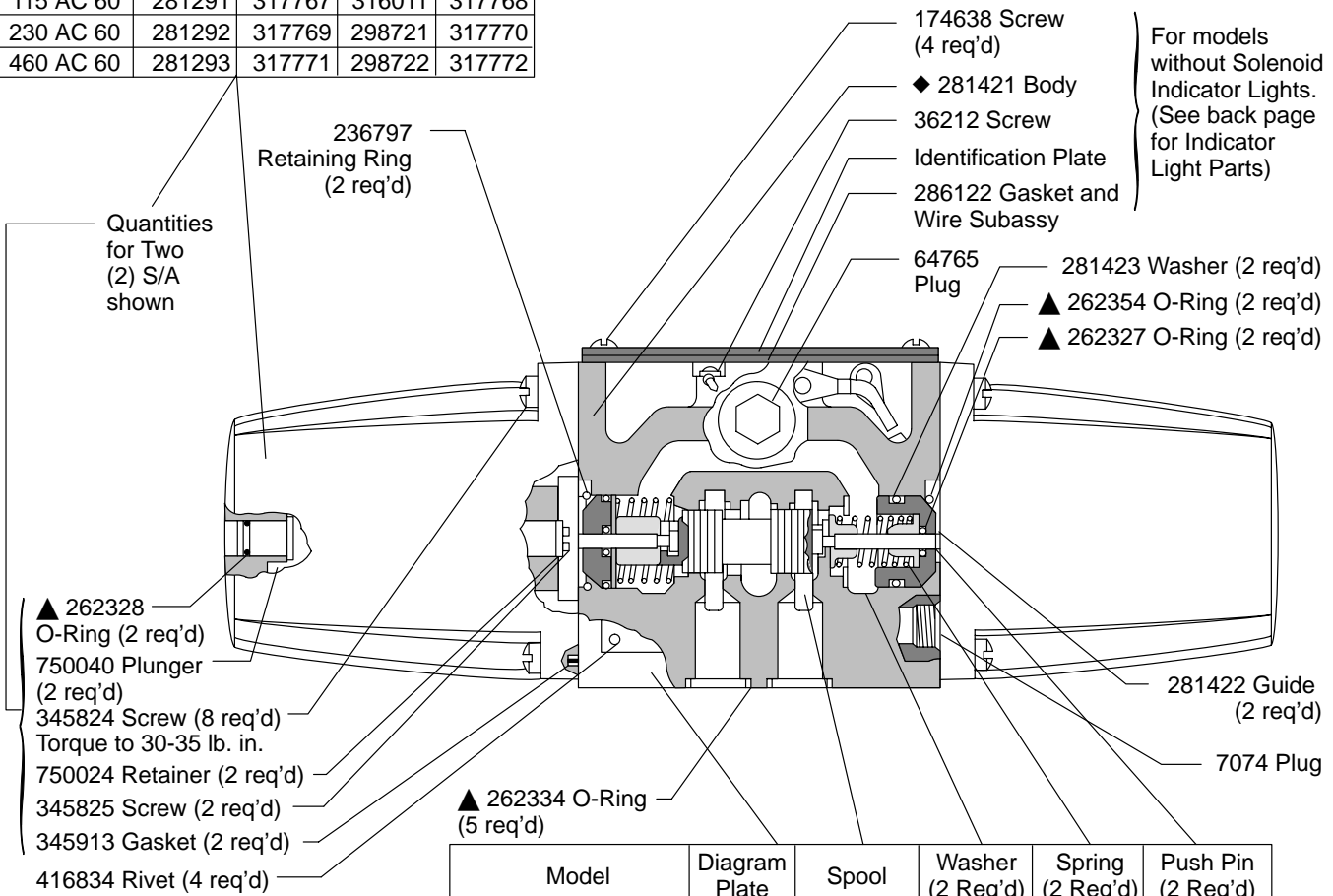
## Spring Centered Directional Valves

DG4S4-01\*(\*)C-(\*)-50  
 DG4S2-012C-(\*)-50

Voltage	Solenoid S/A (2 Req'd)			
	S/A Complete		Coil	
	Std	F3	Std	F3
115 AC 60	281291	317767	316011	317768
230 AC 60	281292	317769	298721	317770
460 AC 60	281293	317771	298722	317772

Note  
 For 50/60 Cycle Solenoids  
 See Back Page

For additional solenoid S/A's  
 see I-3544-S.



Model	Diagram Plate	Spool	Washer (2 Req'd)	Spring (2 Req'd)	Push Pin (2 Req'd)
DG4S2-012C-(*)-50	290339	289186			
DG4S4-010C-(*)-50	290341	213230			
DG4S4-011C-(*)-50	290342	*276278			
DG4S4-012C-(*)-50	290343	213231			
DG4S4-013C-(*)-50	290344	*239903	211846	290072	213268
DG4S4-016C-(*)-50	290345	213232			
DG4S4-0168C-(*)-50	577480	213232			
DG4S4-017C-(*)-50	290346	236624			
DG4S4-0178C-(*)-50	577482	236624			
DG4S4-018C-(*)-50	290340	235637	□ 283637	217323	290264
DG4S4-0133C-(*)-50	577484	236615	211846	290072	213268

▲ Included in 919214 Seal Kit

◆ Not Available for Sale

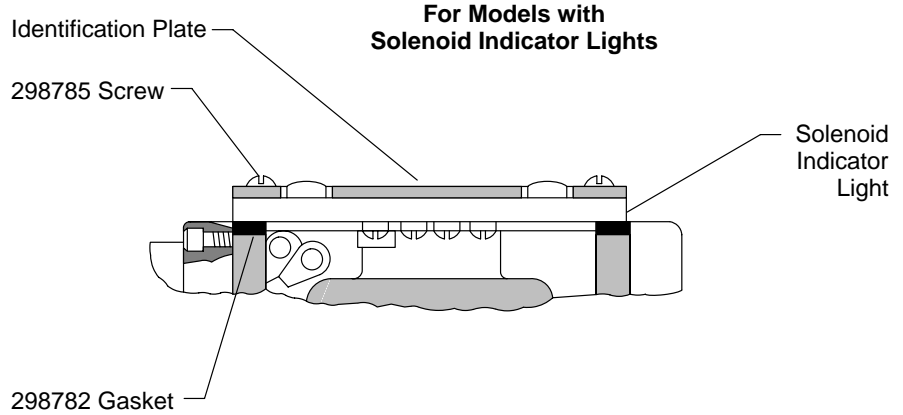
\* Assemble relieved land of type 1 & narrow land of type 3 spools toward "A" port.

□ Assemble on spool with sharp break edge toward spring.




Solenoid Indicator Light Kit (Includes All Parts Identified)	
Voltage Range	Kit
100 thru 125	941615

Note  
Refer to parts drawing  
I-3487-S for models with  
plug-in feature.



50/60 Hertz Solenoids		
Model	Solenoid S/A (2 req'd)	Coil
DG*S4-***-115AC-50/60-5*	751137	751057
F3-DG*S4-***-115AC-50/60-5*	751407	751406

Lead Wire Identification
Red Lead - Common
Yellow Lead - 60 Hz
Blue Lead - 50 Hz



**CAUTION**

*For 50 cycle operation use **Red** and **Blue** Leads.  
For 60 cycle operation use **Red** and **Yellow** Leads.  
**Do not** use Blue and Yellow Leads together.*

## Model Code

(F3)
- DG4S
\* (L)
- 01
\* C
- (\*\*AC\*\*)
- 50

└─┬─┘
└─┬─┘
└─┬─┘
└─┬─┘
└─┬─┘
└─┬─┘
└─┬─┘
└─┬─┘
└─┬─┘

1
2
3
4
5
6
7
8
9

### 1 Seal Material

**F3** - Seals for mineral oil and fire resistant fluids

### 2 Model Series

**DG4S** - Directional valve, gasket mounted, solenoid operated, sliding spool

### 3 Flow Directions

**2** - 2 way  
**4** - 4 way

### 4 L-Solenoid Indicator Light

Omitted - None

### 5 Series

### 6 Spool Type

### 7 Spring Centered

### 8 Solenoid Voltage and Frequency

Omitted-115AC60 Standard

### 9 Design

For satisfactory service life of these components, use full flow filtration to provide fluid which meets ISO cleanliness code 20/18/15 or cleaner. Selections from Eaton OFF, OFR, and OFRS series are recommended.