

Directional Valves



Service Parts Information

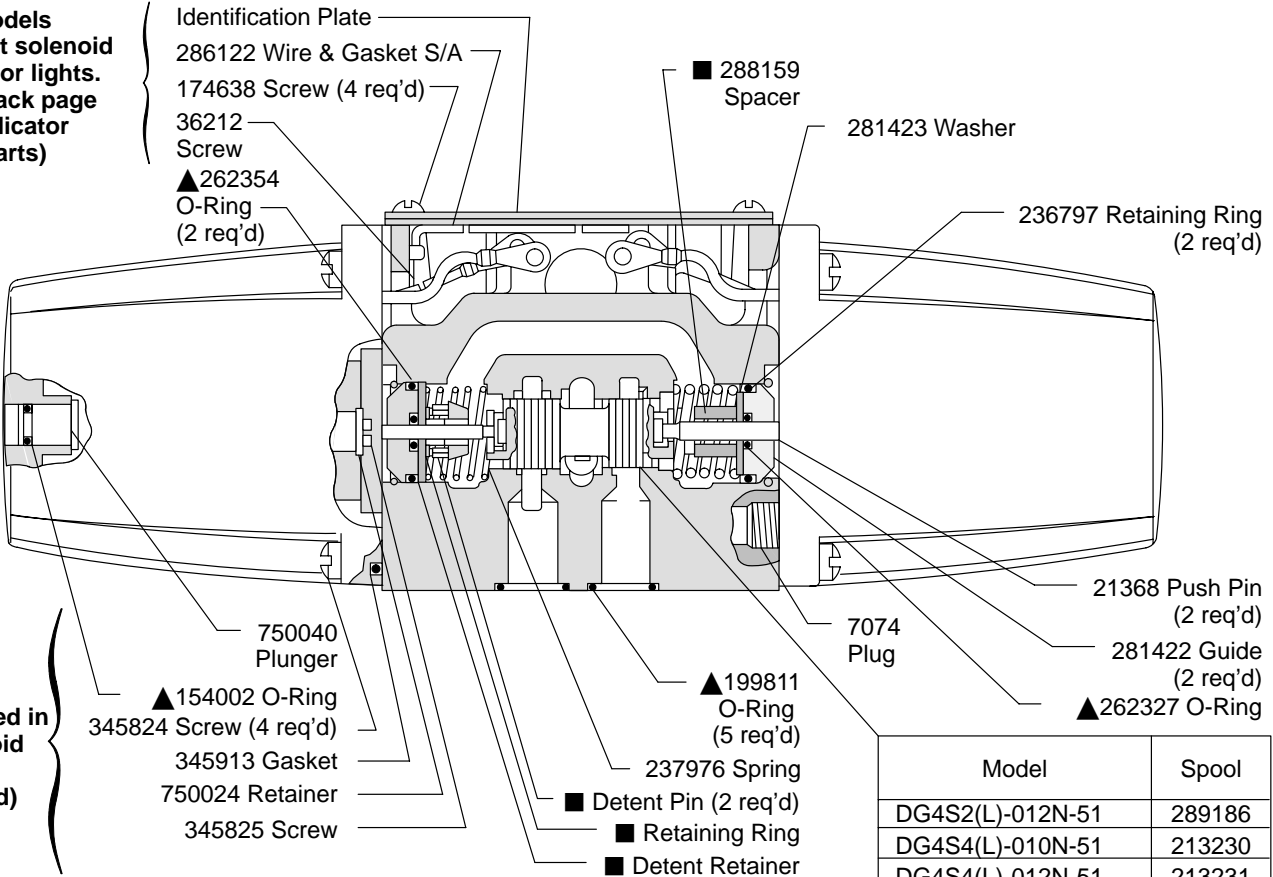
No-Spring Detented Solenoid Controlled Directional Valves

DG4S*(L)-01*N-(**AC)*-51

Voltage	Solenoid S/A			
	S/A Complete		Coil	
	STD	F3	STD	F3
115AC60	281291	317767	316011	317768
230AC60	281292	317769	298721	317770
460AC60	281293	317771	298722	317772

For additional Solenoid S/A's See I-3544-S.

For models without solenoid indicator lights. (See back page for indicator light parts)

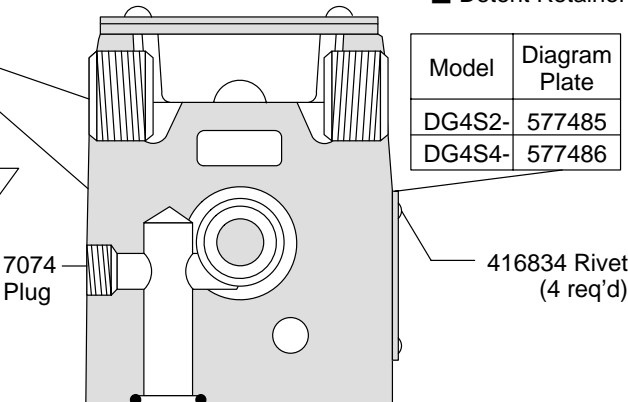
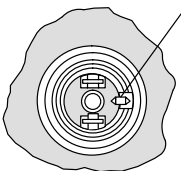


Included in Solenoid S/A (2 req'd)

Model	Spool
DG4S2(L)-012N-51	289186
DG4S4(L)-010N-51	213230
DG4S4(L)-012N-51	213231
DG4S4(L)-016N-51	213232
DG4S4(L)-017N-51	236624
DG4S4(L)-0133N-51	236615

Model	Diagram Plate
DG4S2-	577485
DG4S4-	577486

64765 Plug
 281421 Body (Not available for sale)
 ■ 157477 Rollpin



Section X-X

Section Y-Y

■ Included in 942132, 51 Design Detent S/A

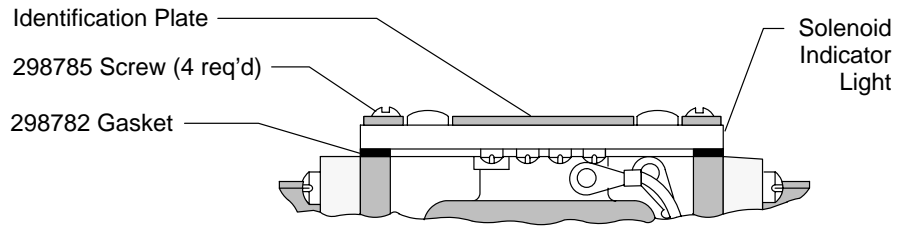
▲ Service all units with F3 Seal Kit 919214

* Torque to 30-35 lb. in.



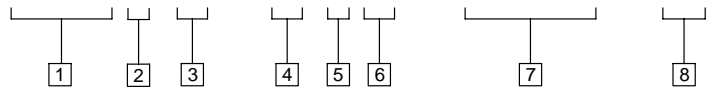
Solenoid Indicator Light Kits (Includes all parts identified)	
Voltage Range	Kit
100 thru 125	941615

For models with solenoid indicator light



Model Code

DG4S * (L) - 01 * N - (AC**) - 51**



1 Model Series

DG4S - Directional valves, subplate or manifold mounted, solenoid operated, sliding spool

3 Indicator Light

L - Solenoid
Omitted - None

7 Solenoid Voltage and Frequency

Omitted - 115VAC60 standard

2 Flow Directions

2 - 2 way
4 - 4 way

4 Series 10

5 Spool Type

6 No-Spring Detented

8 Design

For satisfactory service life of these components, use full flow filtration to provide fluid which meets ISO cleanliness code 20/18/15 or cleaner. Selections from Eaton OFP, OFR and OFRS filter series are recommended.

Printed in U.S.A.