

Vickers®

Service Data

# Directional Controls

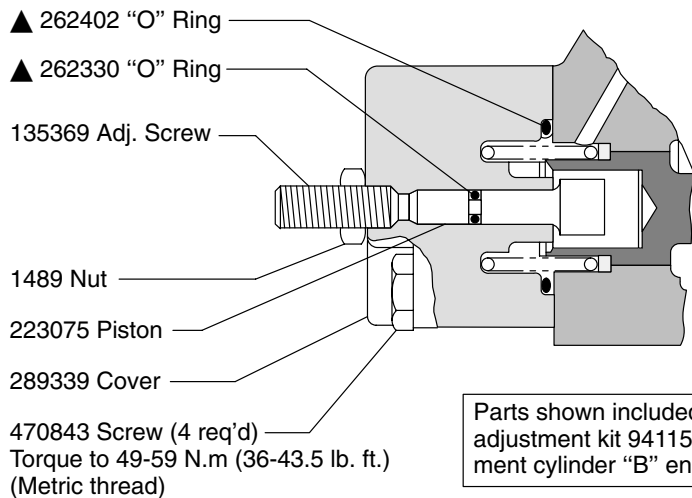
---



## Pressure Centered Pilot Operated Directional Control Valves

DG3S-8-\*D\*-\*-10





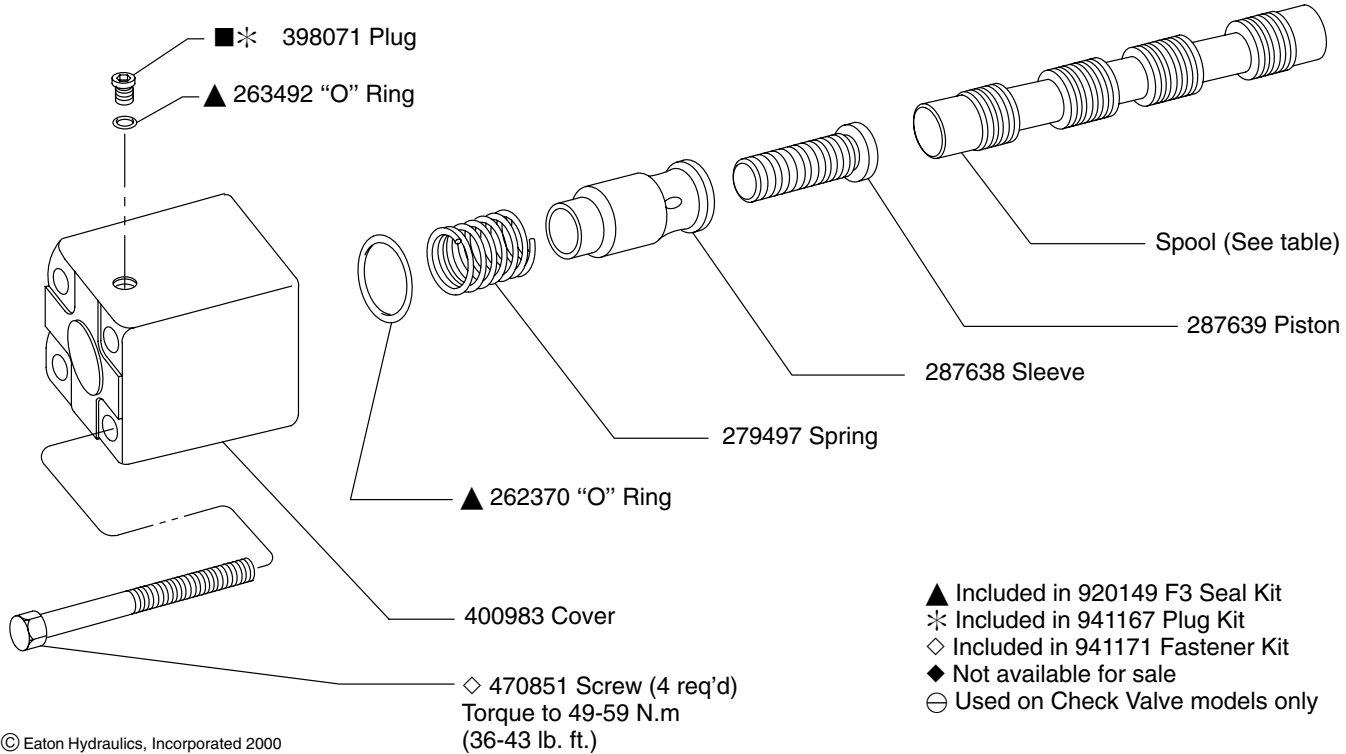
Parts shown included in stroke adjustment kit 941154. Stroke adjustment cylinder "B" end only.

Cover Attaching Bolts	
Model	Bolt Kit
W/out Pilot Choke	466834
W/Pilot Choke	466836
Torque to 4.5-5.7 N.m (39.8-50.4 lb. in.)	
Bolt Kit includes 4 screws	

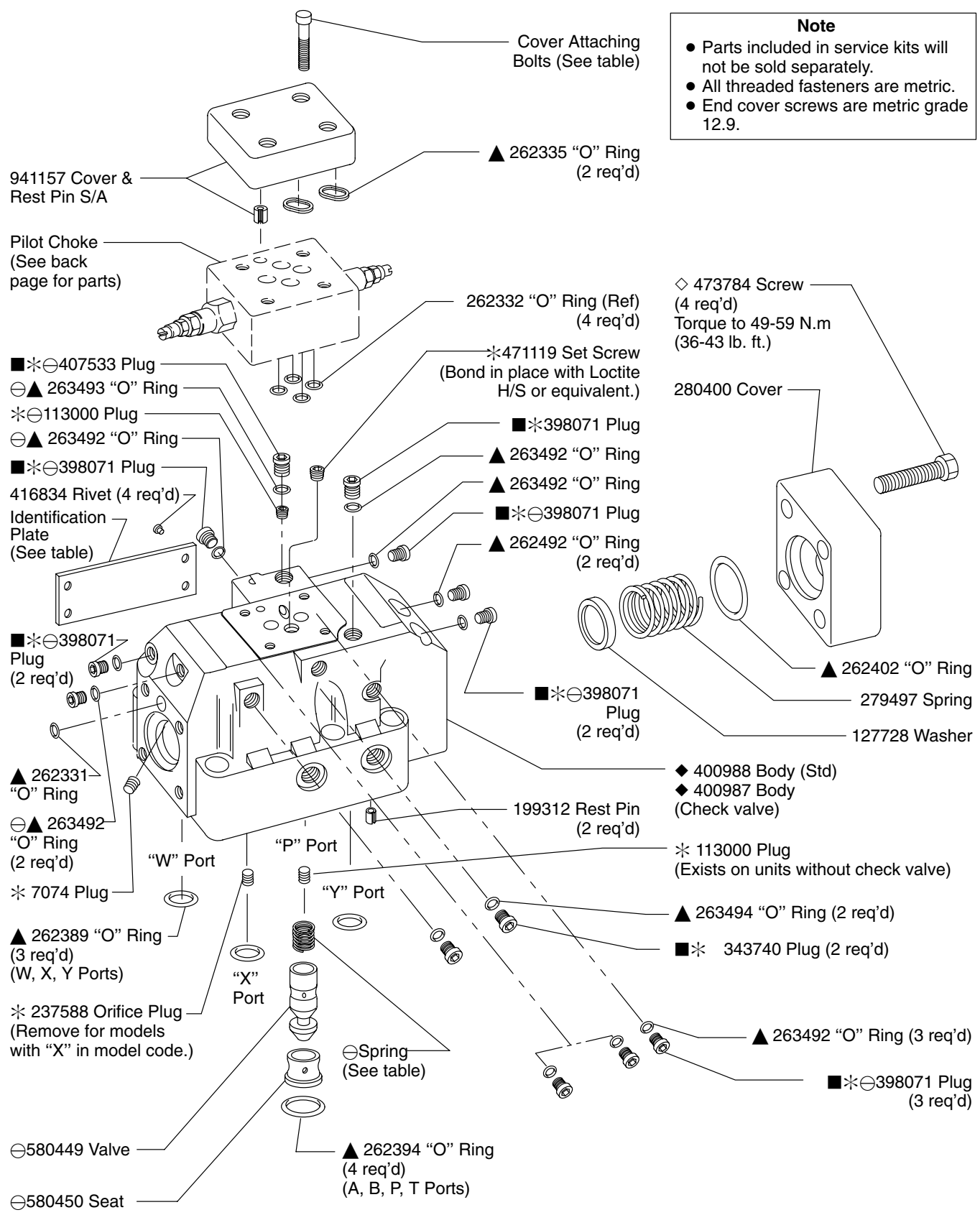
Model	Spool	I.D. Plate with Circuit Diagram
DG3S-8-0D*-**-10	363495	400967
DG3S-8-1D*-**-10	*276623	400968
DG3S-8-2D*-**-10	363496	400969
DG3S-8-3D*-**-10	*276625	400970
DG3S-8-4D*-**-10	276626	400971
DG3S-8-6D*-**-10	363498	400972
DG3S-8-8D*-**-10	363499	400971
DG3S-8-9D*-**-10	363500	400967
DG3S-8-33D*-**-10	363501	400972

■ Plug Torques		
Plug	Torque (N.m)	Torque (lb. in.)
343740	10.0-11.8	90-105
398071	3.4-4.0	30-35
407533		

**\*Note**  
 Assemble Type 1 and 3 spools with narrow center land toward "A" end of valve. "A" end of valve is defined as being closest to cylinder port "A".

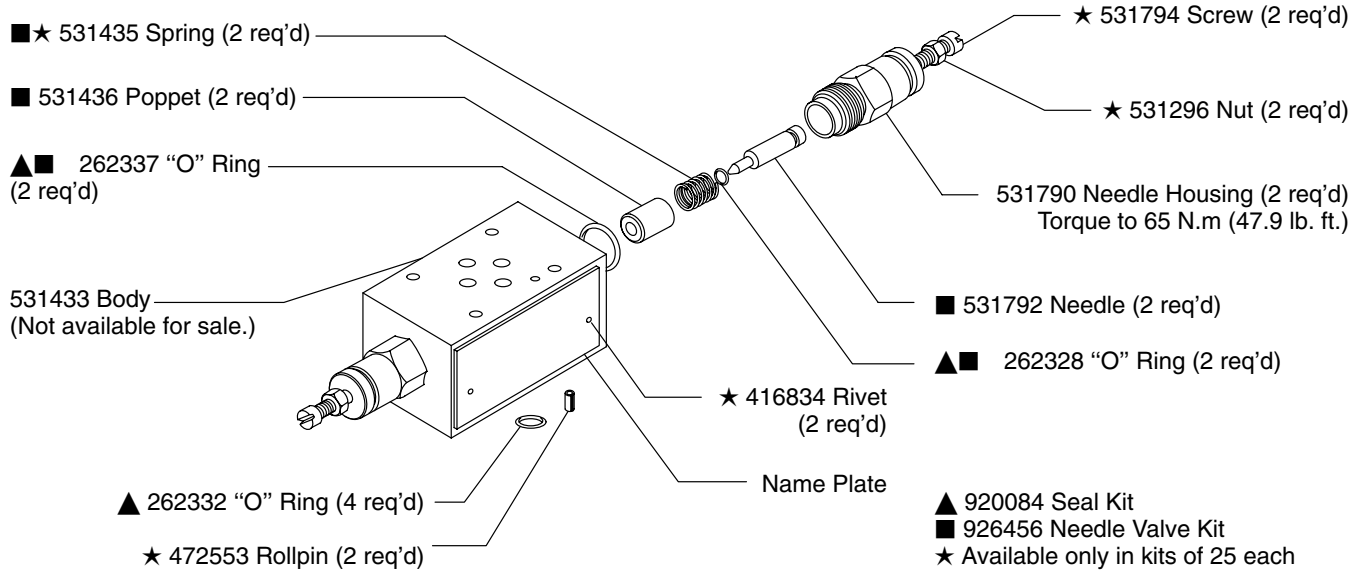


- ▲ Included in 920149 F3 Seal Kit
- \* Included in 941167 Plug Kit
- ◇ Included in 941171 Fastener Kit
- ◆ Not available for sale
- ⊖ Used on Check Valve models only



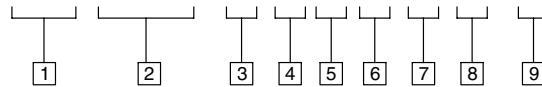
Model	Spring	Color
DG3S-8-*D*-*-K-10	398130	-
DG3S-8-*D*-*-R-10	398131	Yellow
DG3S-8-*D*-*-S-10	398132	Red

**Pilot Choke**  
**DGMFN - 3 - Y - A2W - B2W - 21**



**Model Code**

**(F3) DG3S - 8 - \* D \* - \* - \* - 10**



**1 Special Seals**

**F3** - Seals for mineral oil or fire resistant fluid

**2 Directional Control Valve**

**DG3S** - Subplate mounting, pilot operated. Pressure rating 210 bar (3000 PSI)

**3 Valve Size**

**8** - Valve size CETOP 8

**4 Spool Type**

**5 Valve Type**

**D** - Pressure Centered

**6 Fast Response**

**X** - Fast response (Omit for standard models.)

**7 Spool Control Modification**

(Omit if not required.)

**2** - Pilot Choke

**8** - Stroke adjustment - Cylinder 'B' end only

**2-8** - If both are required

**8 Check Valve in Pressure Port**

**K** - 0,35 bar (5 psi)

**R** - 3,45 bar (50 psi)

**S** - 5,2 bar (75 psi)

**9 Design**

For satisfactory service life of these components, use full flow filtration to provide fluid which meets ISO cleanliness code 18/15 or cleaner. Selections from pressure, return, and in-line filter series are recommended.