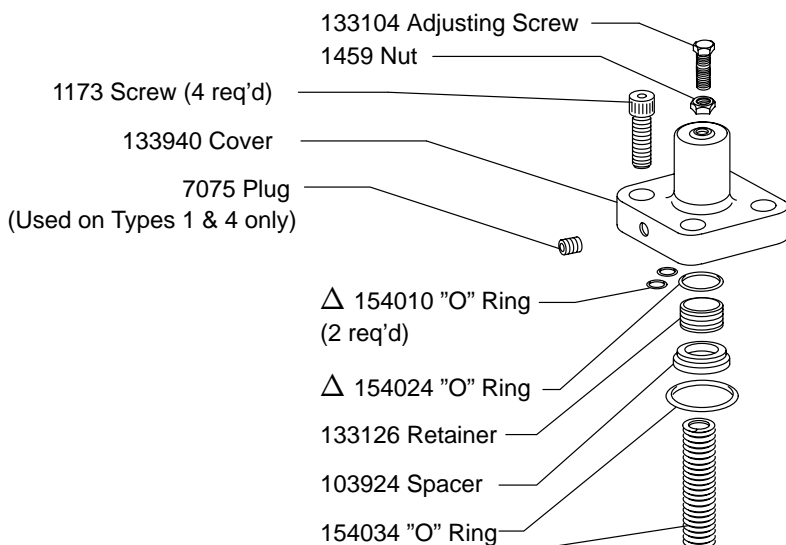


# Pressure Relief

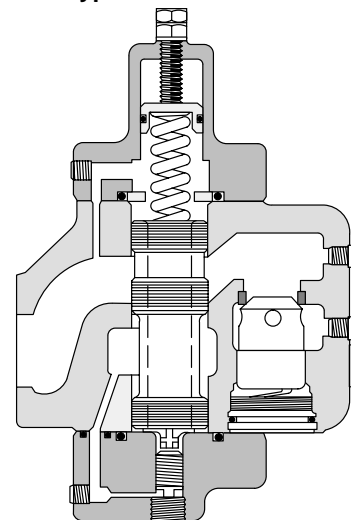


## Pressure Control Valves

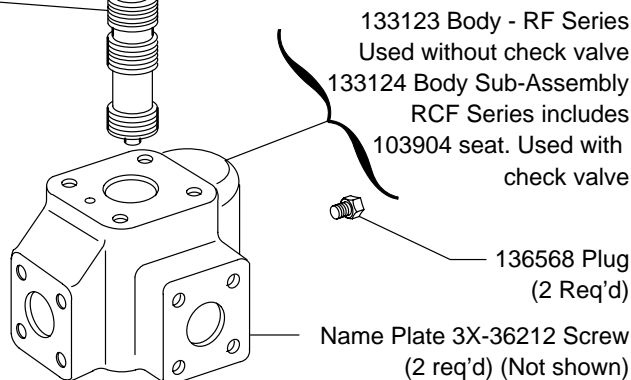
RF & RCF-16-\*P\*-10  
RF & RCF-16-\*\*-10



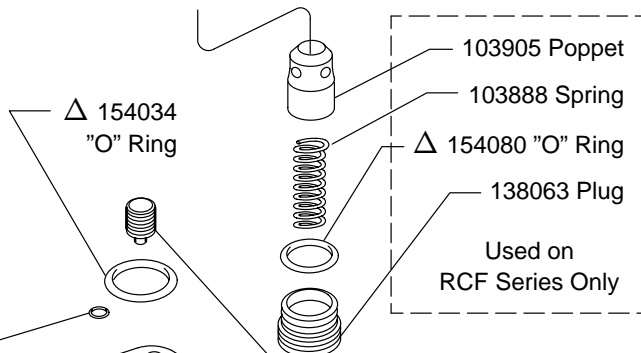
Cross Section View of Typical RCF Valve



Model	Pressure Range	Cover	Spring	Spool
RF-16-A*-10	A (250 PSI)	103918	133105	103920
RCF-16-A*-10				
RF-16-AP*-10		209651		104841
RCF-16-AP*-10				
RF-16-B*-10	B (500 PSI)	103918	133106	103920
RCF-16-B*-10				
RF-16-BP*-10		209651		104841
RCF-16-BP*-10				
RF-16-D*-10	D (1000 PSI)	103918	133107	103920
RCF-16-D*-10				
RF-16-DP*-10		209651		104841
RCF-16-DP*-10				
RF-16-F*-10	F (2000 PSI)	306705	133107	103920
RCF-16-F*-10				
RF-16-FP*-10		312723		104841
RCF-16-FP*-10				
RCF-16-X*-10	X (31 PSI)	103918	133105	104841
RF-16-Z*-10	Z (125 PSI)	103918	133107	104841
RCF-16-Z*-10				
RF-16-ZP*-10		209651		
RCF-16-ZP*-10				



133123 Body - RF Series  
Used without check valve  
133124 Body Sub-Assembly  
RCF Series includes  
103904 seat. Used with  
check valve



103905 Poppet  
103888 Spring  
154080 "O" Ring  
138063 Plug  
Used on  
RCF Series Only

△ Included in Seal Kit 919068

See back page for Connection Flanges

△ 154010 "O" Ring (2 req'd)  
7075 Plug (Used on Types 1 & 2 only)

7077 Plug (7076 Plug for "F" Pressure Range Model)

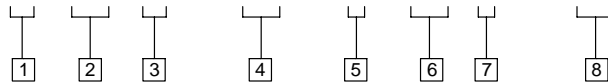
Pressure Range	Plunger
A, B, & D	103919
X or Z	—
F	306469

1173 Screw (4 req'd)



# Model Code

**R (C) F - 16 - \* (P) \* - 10**



**1 Model Series**

R - Pressure control valve

**2 Check Valve**

C - With integral check valve  
(reverse free flow)  
(Omit without check valve.)

**3 Flange Connection**

**4 Valve Size**

2" nominal

**5 Pressure Rating**

A - 250 PSI  
B - 500 PSI  
D - 1000 PSI  
F - 2000 PSI  
Z - 125 PSI

**6 Control**

P - Auxiliary Control  
(May be used with any of the  
4 valve types shown)  
(Omit for standard control.)

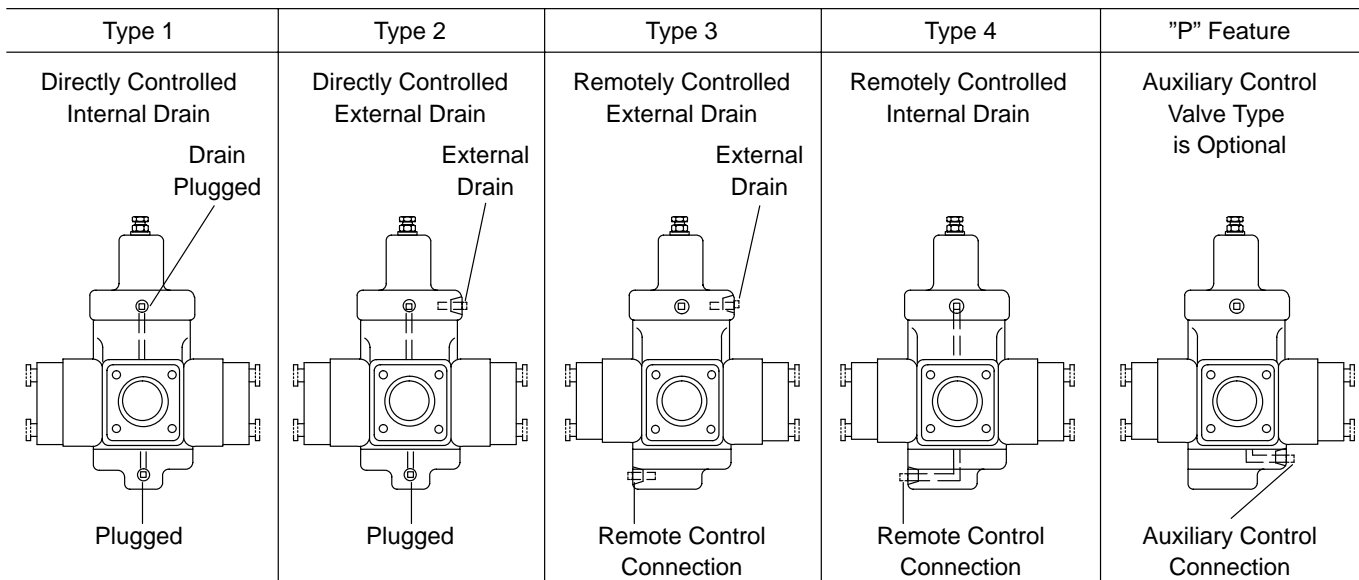
**7 Valve Types**

(Inset views at bottom of page show  
the cover positions for valve types  
1 through 4.)

**8 Design**

Flange Connections (Not furnished with Unit)		
Model	Pipe Size	Type
FL-12-PS-20	1-1/2"	Straight
FL-16-PS-20	2"	
FL-12-PL-20	1-1/2"	ELL
FL-16-PL-20	2"	
Flanges are furnished with a seal, screws and washers for fastening		

**Note:** Assemble covers as shown to obtain valve action desired.



For satisfactory service life of these components, use full flow filtration to provide fluid which meets ISO cleanliness code 18/15 or cleaner. Selections from Eaton OFF, OFR and OFRS filter series are recommended.

Printed in U.S.A.