

Service Data

**Vickers®**

# Vane Pumps

---



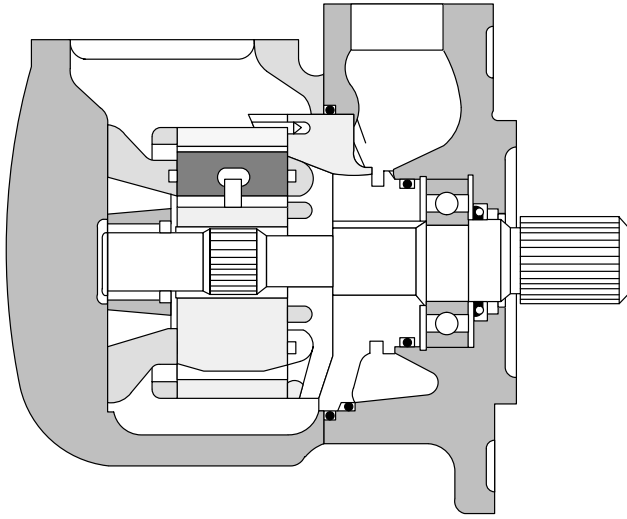
## Vane Pumps

50V\*\*\*A-\*\*11L-13\*



Revised 10/01/85

I-3175-S



**Note**  
 Saturate the felt wiper with oil before assembly. Also, apply a small amount of grease to the inner circumference of seal before installation of shaft.

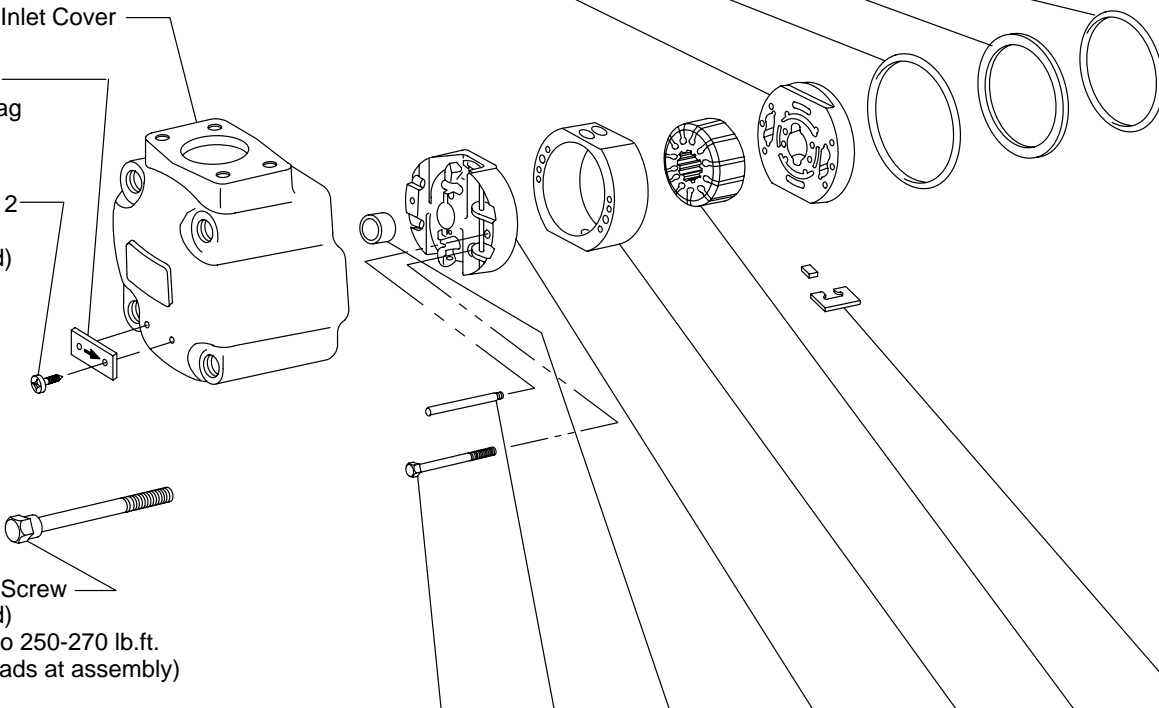
Model	Pressure Plate	"O" Ring	Back-up Ring	"O" Ring	Cartridge Kit	F3 Cartridge Kit
	These Parts are included in Cartridge Kit					
50V 72A-**11-13*	278736	▲154113	▲271826	▲154111	923017	941811
50V 85A-**11-13*					923018	941812
50V 100A-**11-13*					923019	941813
50V 109A-**11-13*					923020	941814

278740 Inlet Cover

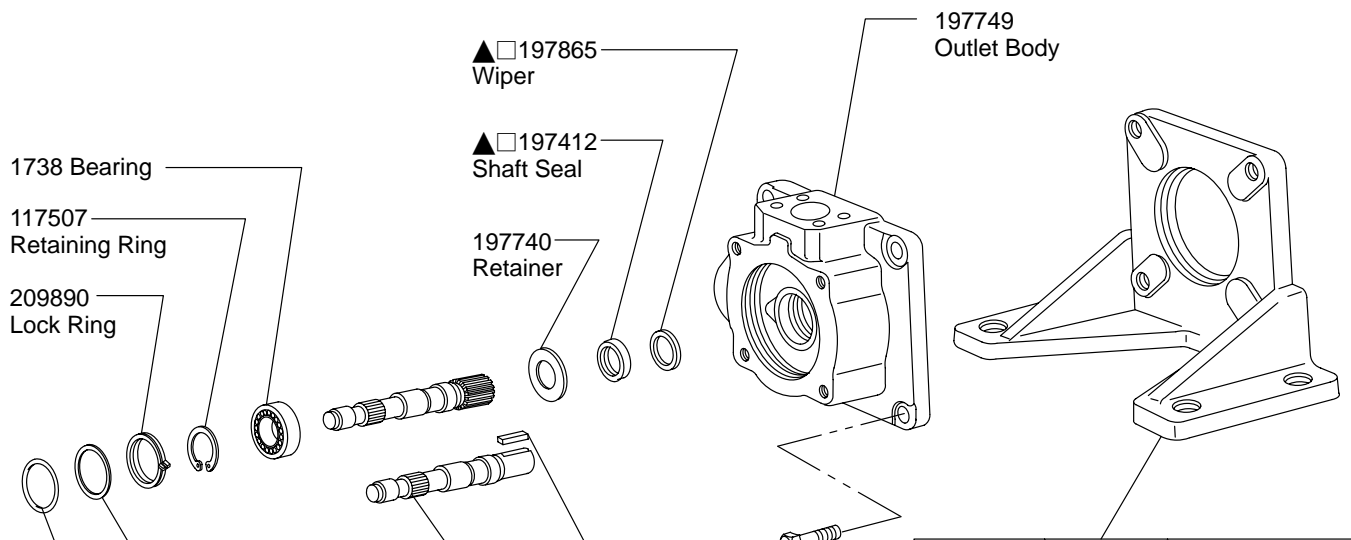
294959 Arrow Tag

3X-36212 Screw (2 Req'd)

278739 Screw (4 Req'd)  
 Torque to 250-270 lb.ft.  
 (Oil threads at assembly)



Model	F3 Cartridge Kit	Cartridge Kit	Screw (2 Req'd)	Pin (2 Req'd)	Bushing	Wear Plate S/A (Incl. Bushing)	Ring	Rotor	Vane Kit (10 Vanes 10 Inserts)
	These Parts are included in Cartridge Kit								
50V 72A-**11-13*	941811	923017	298011	225800	243585	278737	258040	278738	922613
50V 85A-**11-13*	941812	923018					236552		
50V 100A-**11-13*	941813	923019					214295		
50V 109A-**11-13*	941814	923020					236506		



Shaft	Key	Model
230642	219939	50V**-1*11-13*
225811		50V**-4*11-13*
197878		50V**-11*11-13*

Screw (4 Req'd)	Bracket	Model
214793	279625	50V**-**11-132

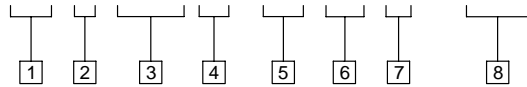
"O" Ring	Back-Up Ring	Cartridge Kit	F3 Cartridge Kit
These parts are included in cartridge kit		↓ 923017 923018 923019 923020	941811
▲154090	▲271804		941812
			941813
			941814

Included in 922853 seal kit

F3 equivalent seal kit 919256

# Model Code

**50 V \*\*\* A - \*\* 11 L - 13 \***



**1 Model Series**

**50V** - Vane pump

**2 Capacity (USgpm)**

**72** - 72 USgpm

**85** - 85 USgpm

**100** - 100 USgpm

**109** - 109 USgpm

**3 Port Connections**

(Inlet & Outlets Ports)

**A** - 4 bolt flange

**4 Shaft**

**1** - Straight keyed

**4** - Involute splined

**11** - Splined

**5 Outlet Port Positions**

(Viewed from Cover End of Pump)

**A** - Outlet opposite Inlet Port

**B** - Outlet 90° CCW from Inlet Port

**C** - Outlet Inline with Inlet Port

**D** - Outlet 90° CW from Inlet Port

**6 Design**

**7 Rotation**

(Viewed from Shaft End)

**8 Special Modifications**

**103** - Omit foot bracket

**132** - With foot bracket

For satisfactory service life of these components, use full flow filtration to provide fluid which meets ISO cleanliness code 20/18/15 or cleaner. Selections from Eaton OFF, OFR, and OFRS series are recommended.

**Eaton Hydraulics**

15151 Highway 5  
Eden Prairie, MN 55344  
Telephone: 612 937-7254  
Fax: 612 937-7130  
[www.eatonhydraulics.com](http://www.eatonhydraulics.com)

46 New Lane, Havant  
Hampshire PO9 2NB  
England  
Telephone: (44) 170-548-6451  
Fax: (44) 170-548-7110

