

Comparator Card

EEA-LIM-454-A-10 Series

General Description

This card contains two limit comparators with one inverting and one non-inverting logic output, plus an output relay with a change-over contact.

Features and Benefits

- Individual input circuitry.
- Separately adjustable switching thresholds.
- Test points for positive and negative switching thresholds.
- Test points for input signals.
- Additionally usable OP AMP stages: 2 voltage followers and 1 inverter.
- Switching state indicated by LEDs on the front panel.
- Inverting, non-inverting and relay outputs with change-over contact.
- Selectable drive inhibitor.

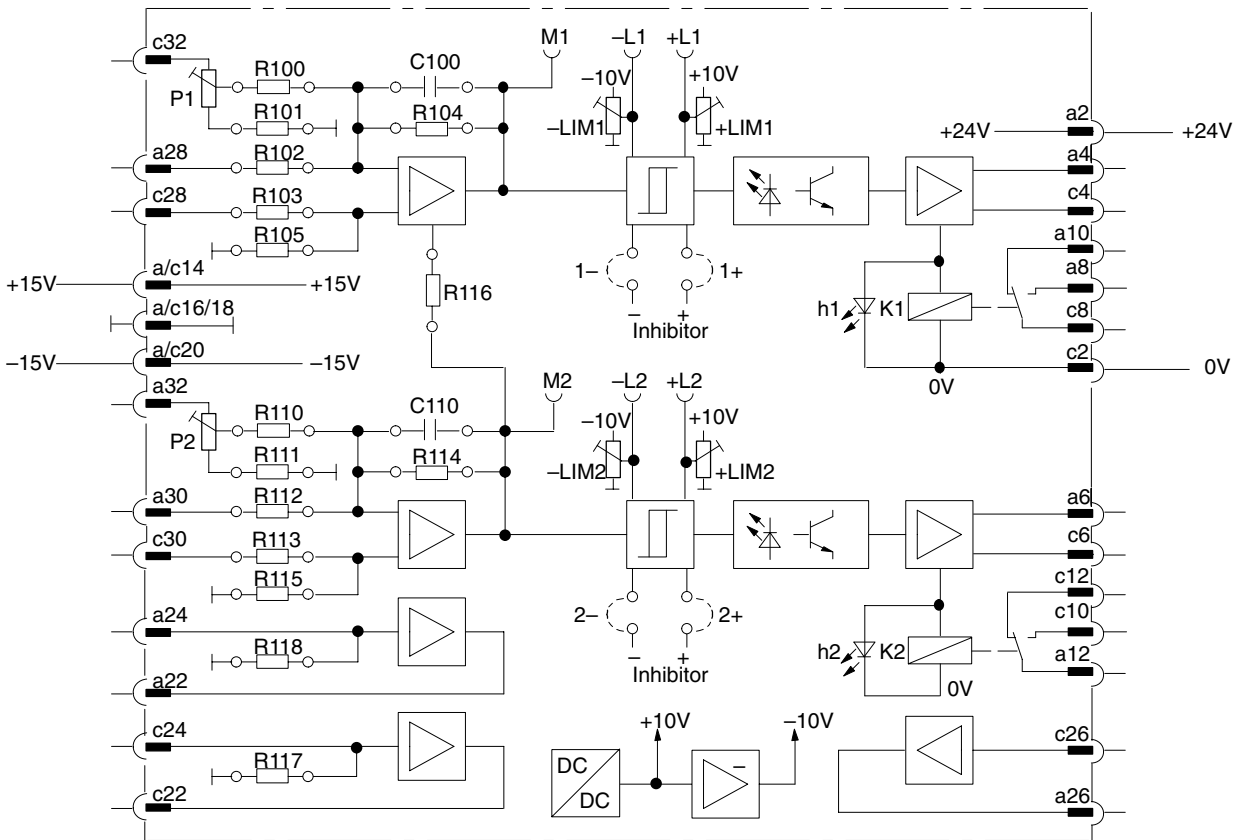
Operating Data

Supply voltage . . . $\pm 15V \pm 5\%$ x 50 mA
 Relay voltage or voltage for logic outputs 24V DC
 500 mA max.

Contact ratings
 of relays 60V DC max., 1A
 8 test points $\varnothing 2$ mm
 (0.0787" dia) sockets
 Male connector DIN 41612, D32
 Mass 0,13 kg (0.3 lb)

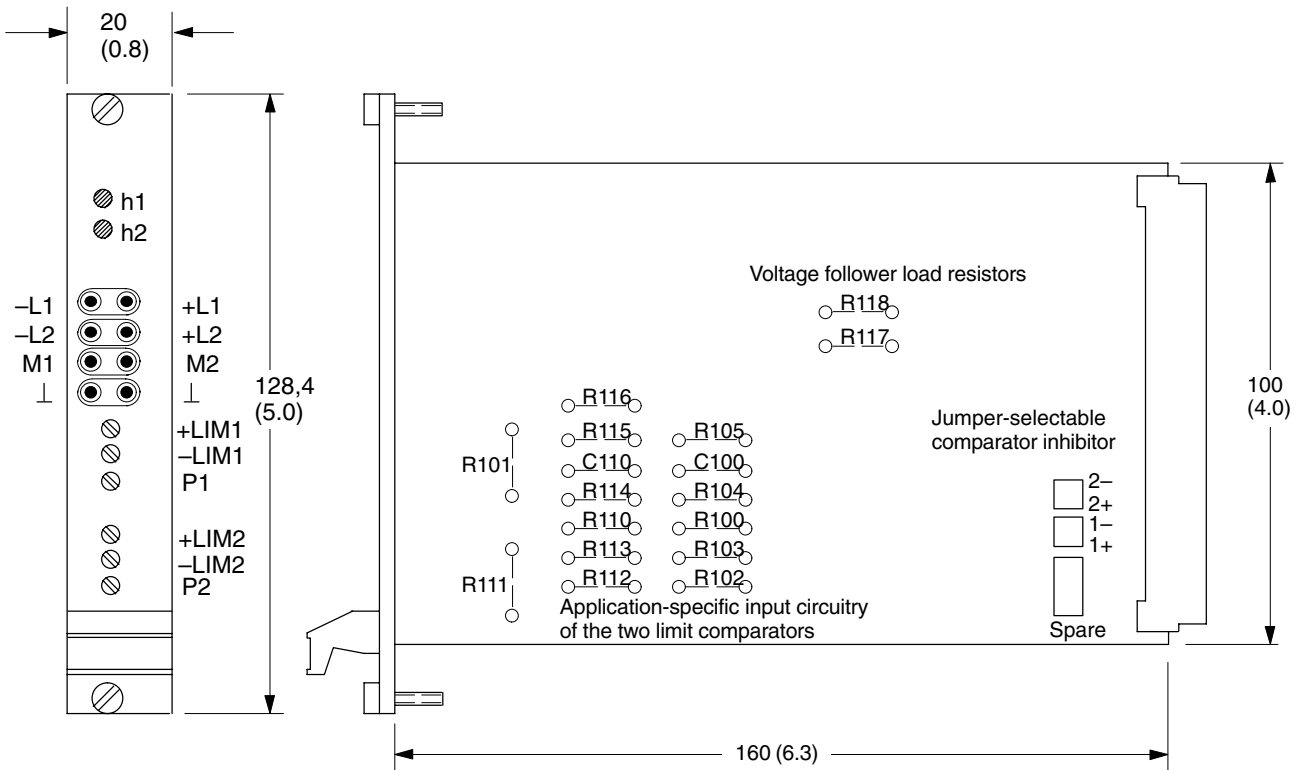
Connection Diagram

EEA-LIM-454-A-10



Installation Dimensions

mm (inch)



Eaton Hydraulics
 15151 Highway 5
 Eden Prairie, MN 55344
 Telephone: 612 937-7254
 Fax: 612 937-7130
 www.eatonhydraulics.com

46 New Lane, Havant
 Hampshire PO9 2NB
 England
 Telephone: (44) 170-548-6451
 Fax: (44) 170-548-7110

