

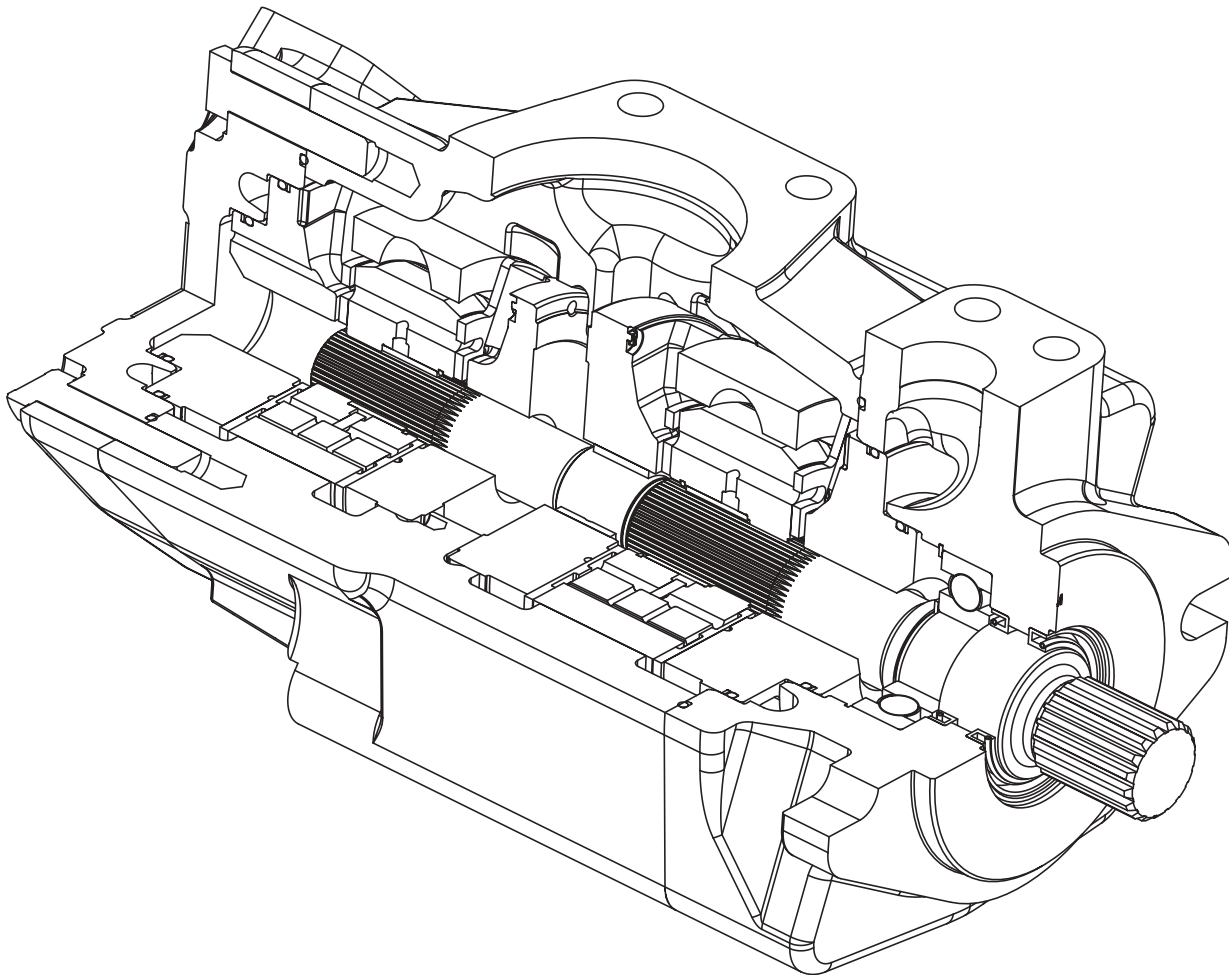
EAT•N

Vickers

**High Pressure, High Performance
Double Vane Pumps**

Parts Data

VMQ24525S Series
- 32 Design



VICKERS[®]

High Pressure, High Performance Double Vane Pump VMQ24525S Series — 32 Design

Note: Lubricate all parts and seals with a thin coat of oil at assembly.

- Included in Cartridge Kit (see table)
- ▲ 02-334560 Buna-N Seal Kit, Single Shaft Seal or 02-334561 Viton® Seal Kit, Single Shaft Seal.
- △ 02-334643 Buna-N Seal Kit, Double Shaft Seal or 02-334644 Viton® Seal Kit, Double Shaft Seal.
- * With double and triple pumps, the orientation of the kits is such that the kit rotation is a reverse of the pump rotation. See tables X1 and X2 for the correct kit rotation relative to the pump rotation.

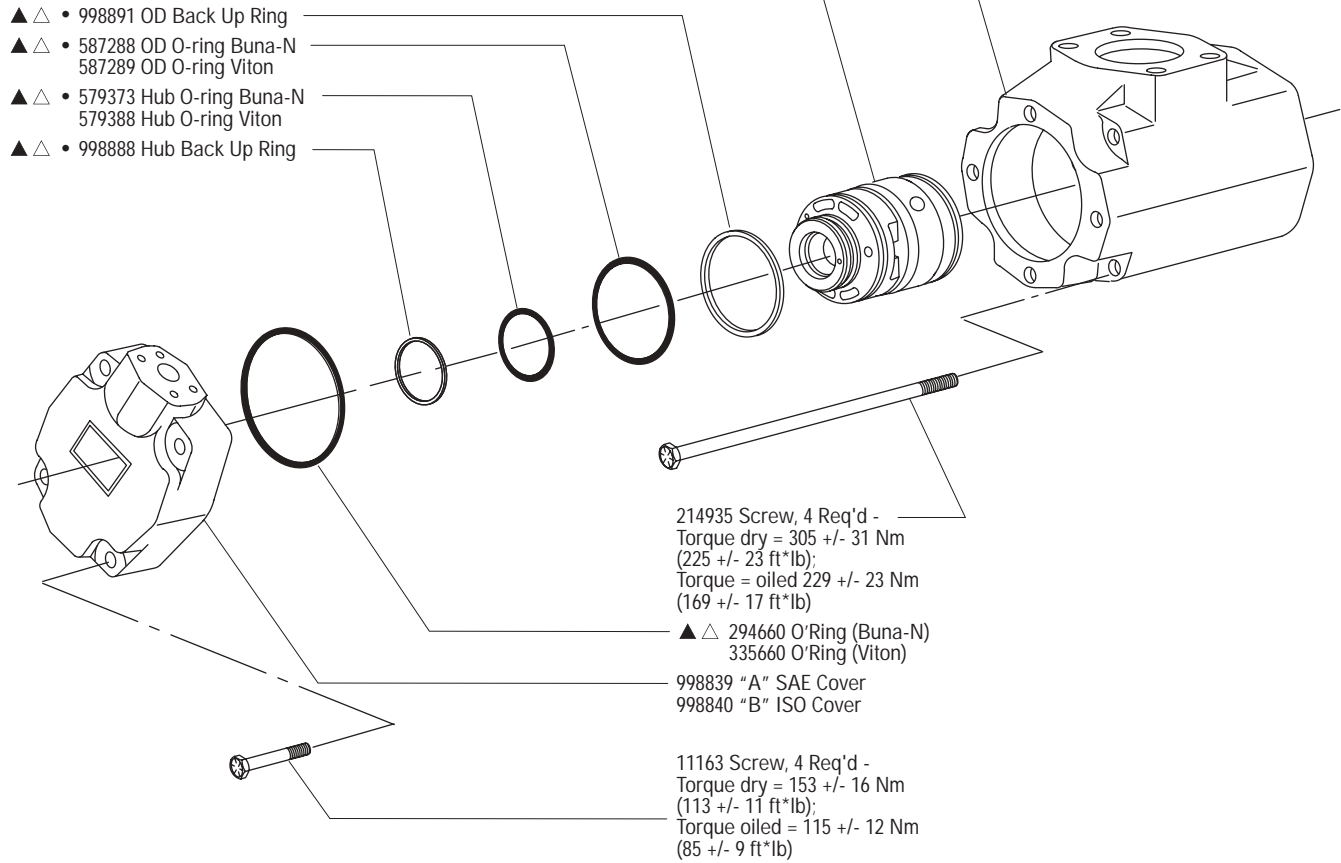


TABLE X1

Cartridge Kit Rotation for Right Hand Rotation Pump

R= Right Hand Rotation		L=Left Hand Rotation	
PUMP ROTATION	SHAFT END KIT ROTATION	CENTER KIT ROTATION	COVER END KIT ROTATION
Double (R)	(R)	-	(L)

*Notes: - A right hand rotation pump has the shaft turning clockwise when viewed from the input shaft end
- When ordering a right hand rotation kit, the part number will not have a suffix.

TABLE X2

Cartridge Kit Rotation for Left Hand Rotation Pump

R= Right Hand Rotation		L=Left Hand Rotation	
PUMP ROTATION	SHAFT END KIT ROTATION	CENTER KIT ROTATION	COVER END KIT ROTATION
Double (L)	(L)	-	(R)

*Notes: - A left hand rotation pump has the shaft turning counterclockwise when viewed from the input shaft end
- When ordering a left hand rotation kit, the part number will have a suffix of '-L'

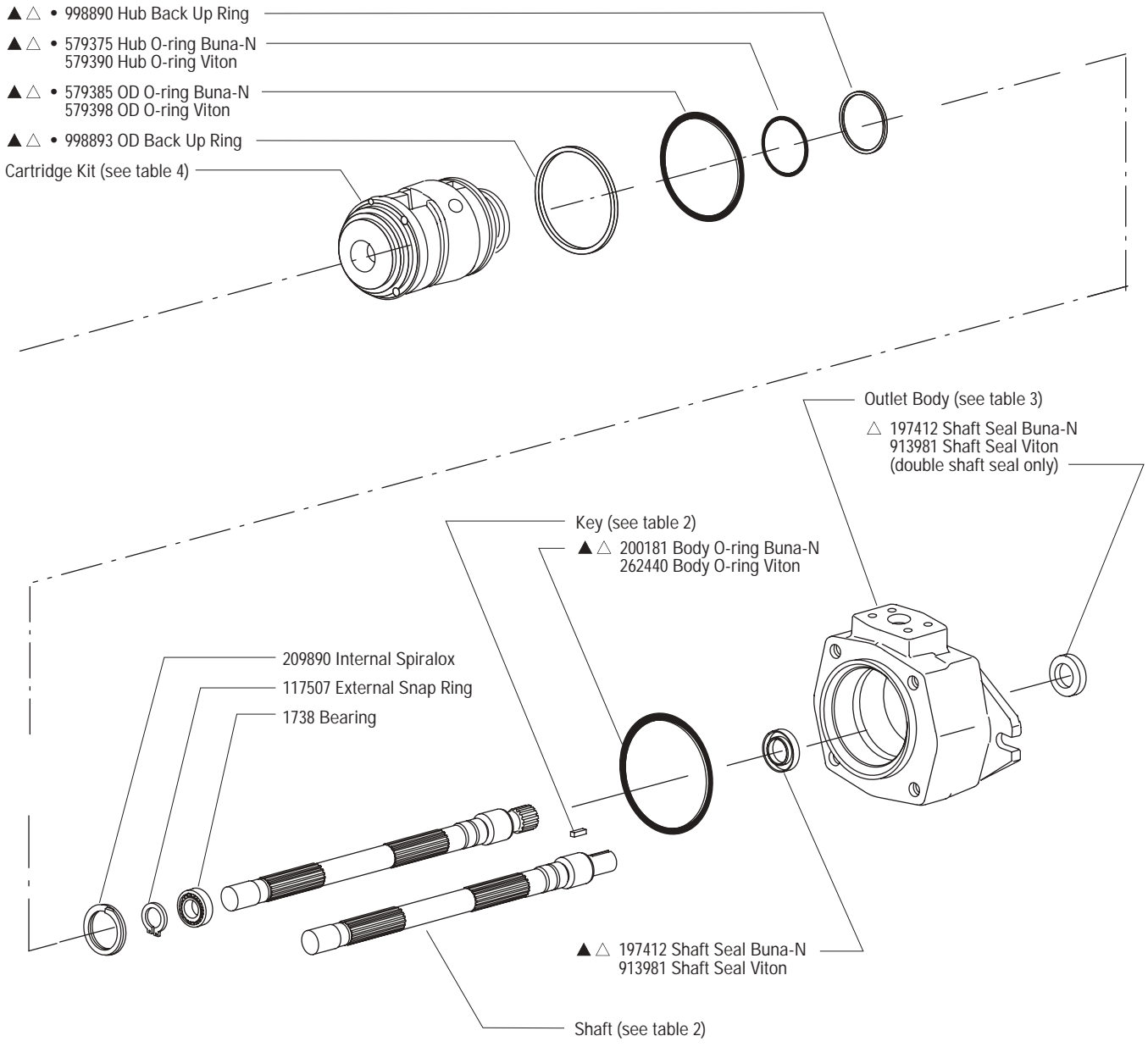


TABLE 1

MODEL CODE COVER END	* • CARTRIDGE KIT (BUNA-N)	* • CARTRIDGE KIT (VITON®)
VMQ24525S***010	02-465574	02-465569
VMQ24525S***016	02-465575	02-465570
VMQ24525S***020	02-465576	02-465571
VMQ24525S***025	02-465578	02-465572
VMQ24525S***032	02-465577	02-465573
VMQ24525S***040	02-348974	02-348981
VMQ24525S***045	02-348975	02-348982
VMQ24525S***050	02-348976	02-348983
VMQ24525S***063	02-348977	02-348984
VMQ24525S***071	02-348978	02-348985
VMQ24525S***080	02-348979	02-348986
VMQ24525S***090	02-348980	02-348987

Viton® is a registered trademark of E.I. Dupont Co.

TABLE 2

MODEL CODE	30TH DESIGN SHAFT	31ST & 32ND DESIGN SHAFT	KEY
VMQ24525S-***-***-**-01	934229	4993363-001	928542
VMQ24525S-***-***-**-02	934230	4993364-001	—
VMQ24525S-***-***-**-03	934231	4993365-001	928547
VMQ24525S-***-***-**-04	—	—	—
VMQ24525S-***-***-**-05	934232	4993366-001	928543
VMQ24525S-***-***-**-06	934233	4993367-001	—
VMQ24525S-***-***-**-09	937226	4993375-001	—

TABLE 3

OUTLET BODY				
Flange Mounting Style	Single Shaft Seal		Double Shaft Seal	
	Inch Port Threads	Metric Port Threads	Inch Port Threads	Metric Port Threads
SAE B	4993341-001	4993342-001	4993343-001	4993344-001
ISO 100	—	4993346-001	—	4993345-001

TABLE 4

MODEL CODE SHAFT END	* • CARTRIDGE KIT (BUNA-N)	* • CARTRIDGE KIT (VITON®)
VMQ24525S140***	02-346970	02-346971
VMQ24525S160***	02-346968	02-346969
VMQ24525S180***	02-346966	02-346967
VMQ24525S195***	02-346964	02-346965
VMQ24525S215***	02-346962	02-346963

Viton® is a registered trademark of E.I. Dupont Co.

Model Code

VMQ2 ** ** S *** *** * O ** OO * * * * * * * * OO * O 32

1 2 3 4 5 6 7 8 9 10 11 12 13 14 15 16 17 18 19 20 21 22 23 24 25 26 27 28 29 30 31 32 33 34 35

1 2 3 4 Series designation
VMQ2 – Vane pump double series

5 6 Frame size (front section)
45 – 140-215 cm³/r (8.54-13.12 in³/r)

7 8 Frame size (rear section)
25 – 10-90 cm³/r (0.62-5.49 in³/r)

9 Pump type
S – Standard

10 11 12 Displacement (front section)
Frame size 45
140 – 140 cm³/r (8.54 in³/r)
160 – 160 cm³/r (9.76 in³/r)
180 – 180 cm³/r (10.98 in³/r)
195 – 195 cm³/r (11.89 in³/r)
215 – 215 cm³/r (13.12 in³/r)

13 14 15 Displacement (rear section)
Frame size 25
010 – 10 cm³/r (0.62 in³/r)
016 – 16 cm³/r (0.98 in³/r)
020 – 20 cm³/r (1.23 in³/r)
025 – 25 cm³/r (1.58 in³/r)
032 – 32 cm³/r (1.96 in³/r)
040 – 40 cm³/r (2.44 in³/r)
045 – 45 cm³/r (2.75 in³/r)
050 – 50 cm³/r (3.05 in³/r)
063 – 63 cm³/r (3.84 in³/r)
071 – 71 cm³/r (4.33 in³/r)
080 – 80 cm³/r (4.88 in³/r)
090 – 90 cm³/r (5.49 in³/r)

16 Front flange mounting style
B – SAE C 2-bolt
127,00 (5.000) x 12,4 (0.49) pilot
17,6 (0.69) slots on
181,0 (7.13) bolt circle
D – ISO 3019/2 125A2HW 2-bolt
125,00 (4.921) x 9,2 (0.36) pilot
18,1 (0.71) slots on
180,0 (7.09) bolt circle

17 Adapter flange
0 – None (standard double pump)

18 19 Input shaft type*
01 – SAE J744 keyed
Frame size 45:
38,10 (1.500)
02 – SAE J744 splined
Frame size 45: C-C
03 – ISO 3019/2 keyed
Frame size 45:
40,00 (1.575)
05 – SAE J744 keyed
Frame size 45:
44,45 (1.750)
06 – SAE J744 splined
Frame size 45: D
09 – SAE J744 Spline
Frame size 45: C

20 21 Output shaft coupling
00 – None (standard double pump)

22 Inlet port type
A – SAE J518 4-split flange
B – ISO 6162 4-bolt flange

23 Front outlet port type
A – SAE J518 4-bolt flange
B – ISO 6162 4-bolt flange

24 Rear outlet port type
A – SAE J518 4-bolt flange
B – ISO 6162 4-bolt flange

25 Front outlet port position
Viewed from cover end of pump
A – Opposite inlet port
B – 90° CCW to inlet port
C – In-Line with front inlet port
D – 90° CW to inlet port

26 Rear outlet port position
Viewed from cover end of pump
A – 135° CCW to inlet port
B – 45° CCW to inlet port
C – 45° CW to inlet port
D – 135° CW to inlet port

27 Shaft Seal
A – Single, primary
B – Double, secondary (spring side out)
Recommended for wet mount applications

28 Seal Type
N – Buna-N
V – Viton
W – Buna-N with Viton shaft seal(s)

29 Shaft rotation
Viewed from shaft end of pump
L – Left Hand (CCW)
R – Right Hand (CW)

30 31 Special features
00 – None

32 Paint
O – None
A – Blue

33 Customer identification
O – None

34 35 Design code
32 – 32 design
Installation dimensions remain unchanged for design numbers 30 to 39 inclusive.

* Verify shaft torque ratings meet or exceed input torque requirements

Eaton
14615 Lone Oak Road
Eden Prairie, MN 55344
USA
Tel: 952 937-9800
Fax: 952 974-7722
www.hydraulics.eaton.com

Eaton
20 Rosamond Road
Footscray
Victoria 3011
Australia
Tel: (61) 3 9319 8222
Fax: (61) 3 9318 5714

Eaton
Dr.-Reckeweg-Str. 1
D-76532 Baden-Baden
Germany
Tel: (49) 7221 682-0
Fax: (49) 7221 682-788

VICKERS[®]

EATON

Vickers

© 2003 Eaton Corporation
All rights reserved
Printed in USA
Document No. V-PUVN-TP010-E
June 2003 1M