



**H Series Vickers Piston Pumps**  
**Pressure & Flow Compensator Kit**  
 Installation Information

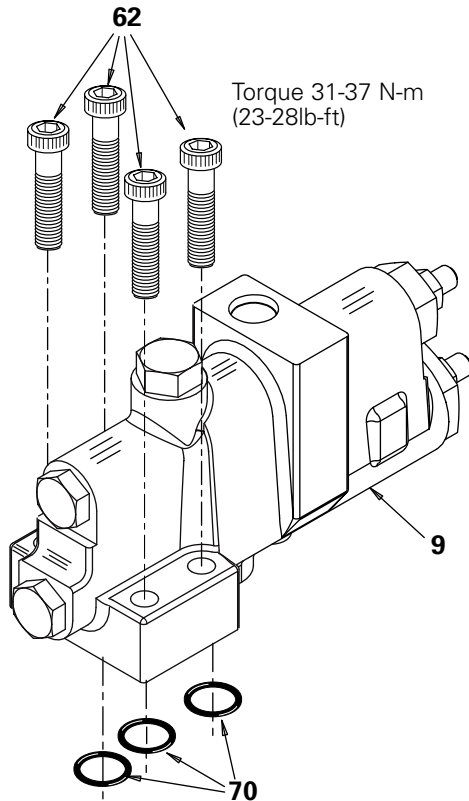
PVH057 / 63  
 PVH074 / 81  
 PVH098 / 106  
 PVH131 / 141

**For more detailed information contact EATON Hydraulics at one of the addresses listed below.**

**Please reference the following documents:**

- For Specifications and Performance Data see Catalog No. GB-C-2010.
- For parts Information for the PVH Piston Pump refer to Service Data below.
- When servicing PVH Piston Pump Compensators refer to these Service Data documents:

PVH057 / 063    M-2206-S  
 PVH074 / 081    M-2207-S  
 PVH098 / 106    M-2208-S  
 PVH131 / 141    M-2209-S



**Pressure & Flow Compensator Parts**

Model Code Feature (postion 14) = B, E, M, N

ITEM	DESCRIPTION	QTY
9	Pressure & Flow Compensator	1
62	Cap Screw	4
70	O-ring	3

**⚠ WARNING**

EATON recommends for positive displacement pumps that a relief valve be fitted between the pump and the load to protect against overload of the pump or system.

**WARNING: NEVER ADJUST THE COMPENSATOR TO ALLOW THE PUMP OR THE HYDRAULIC SYSTEM TO EXCEED THEIR MAXIMUM RATED PRESSURES. REFER TO THE OPERATORS MANUAL FOR MAXIMUM PRESSURES OR CONTACT THE SUPPLIER.**

**EXCESSIVE PRESSURE MAY RESULT IN ABRUPT AND VERY SERIOUS FAILURES IN THE SYSTEM WHICH CAN CAUSE DEATH OR SERIOUS BODILY INJURY TO PERSONS NEARBY AND/OR DAMAGE THE PUMP.**

**Eaton**  
 14615 Lone Oak Road  
 Eden Prairie, MN 55344  
 USA  
 Tel: 952 937-9800  
 Fax: 952 974-7722  
 www.hydraulics.eaton.com

**Eaton**  
 20 Rosamond Road  
 Footscray  
 Victoria 3011  
 Australia  
 Tel: (61) 3 9319 8222  
 Fax: (61) 3 9318 5714

**Eaton**  
 Dr. Reckeweg-Str. 1  
 D-76532 Baden-Baden  
 Germany  
 Tel: (49) 7221 682-0  
 Fax: (49) 7221 682-788

© 2004 Eaton Corporation  
 All Rights Reserved  
 Printed in USA  
 Document No. V-PUPI-T1005-E  
 May 2004