



**M Series Vickers Piston Pumps  
Pressure & Flow Compensator Kit**

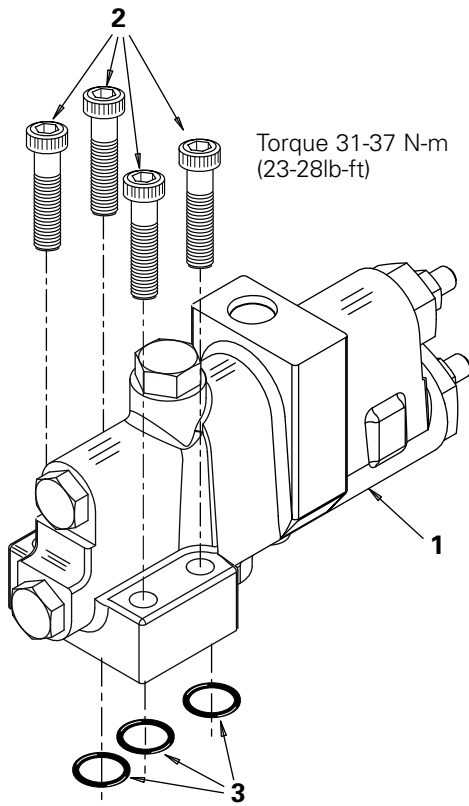
Installation Information

PVM057 / 063  
PVM074 / 081  
PVM098 / 106  
PVM131 / 141

**For more detailed information contact EATON Hydraulics at one of the addresses listed below.**

**Please reference the following documents:**

- For Specifications and Performance Data see Catalogs
  - V-PP-MC-0003-E Rev. August 2002
  - V-PP-MC-0004-E Rev. August 2002
- For parts Information for the PVM Piston Pump refer to Service Data below.
- When servicing PVM Piston Pump Compensators refer to this Service Data document:
  - V-PP-TP-0001-E Rev. July 2002



**Pressure & Flow Compensator Parts**

Model Code Feature (postion 17) = B, C

ITEM	DESCRIPTION	QTY
1	Pressure & Flow Compensator	1
2	Cap Screw	4
3	O-ring	3

**⚠ WARNING**

EATON recommends for positive displacement pumps that a relief valve be fitted between the pump and the load to protect against overload of the pump or system.

**WARNING: NEVER ADJUST THE COMPENSATOR TO ALLOW THE PUMP OR THE HYDRAULIC SYSTEM TO EXCEED THEIR MAXIMUM RATED PRESSURES. REFER TO THE OPERATORS MANUAL FOR MAXIMUM PRESSURES OR CONTACT THE SUPPLIER.**

**EXCESSIVE PRESSURE MAY RESULT IN ABRUPT AND VERY SERIOUS FAILURES IN THE SYSTEM WHICH CAN CAUSE DEATH OR SERIOUS BODILY INJURY TO PERSONS NEARBY AND/OR DAMAGE THE PUMP.**

Eaton  
14615 Lone Oak Road  
Eden Prairie, MN 55344  
USA  
Tel: 952 937-9800  
Fax: 952 974-7722  
www.hydraulics.eaton.com

Eaton  
20 Rosamond Road  
Footscray  
Victoria 3011  
Australia  
Tel: (61) 3 9319 8222  
Fax: (61) 3 9318 5714

Eaton  
Dr. Reckeweg-Str. 1  
D-76532 Baden-Baden  
Germany  
Tel: (49) 7221 682-0  
Fax: (49) 7221 682-788

© 2004 Eaton Corporation  
All Rights Reserved  
Printed in USA  
Document No. V-PUPI-TI004-E  
May 2004