



H Series Vickers Piston Pumps

Pressure Compensator Kit

Installation Information

PVH057 / 63

PVH074 / 81

PVH098 / 106

PVH131 / 141

For more detailed information contact EATON Hydraulics at one of the addresses listed below.

Please reference the following documents:

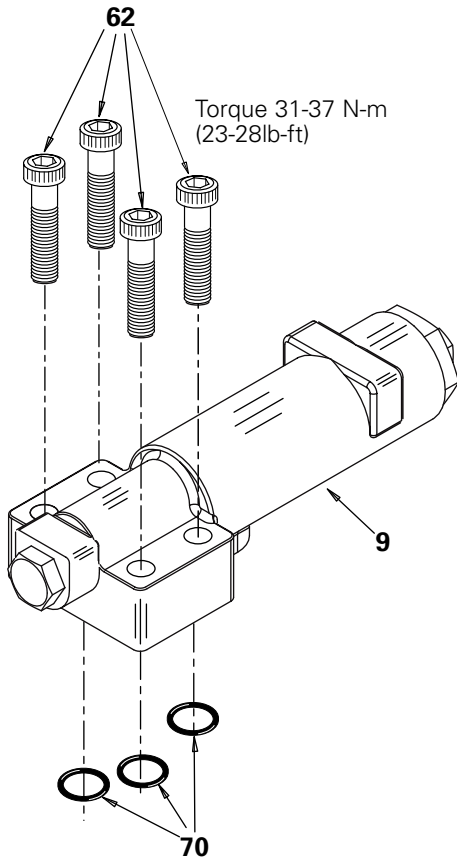
- For Specifications and Performance Data see Catalog No. GB-C-2010.
- For parts Information for the PVH Piston Pump refer to Service Data below.
- When servicing PVH Piston Pump Compensators refer to these Service Data documents:

PVH057 / 063 M-2206-S

PVH074 / 081 M-2207-S

PVH098 / 106 M-2208-S

PVH131 / 141 M-2209-S



Pressure Compensator Parts

Model Code Feature (postion 14) = A, D

ITEM	DESCRIPTION	QTY
9	Pressure & Flow Compensator	1
62	Cap Screw	4
70	O-ring	3

WARNING

EATON recommends for positive displacement pumps that a relief valve be fitted between the pump and the load to protect against overload of the pump or system.

WARNING: NEVER ADJUST THE COMPENSATOR TO ALLOW THE PUMP OR THE HYDRAULIC SYSTEM TO EXCEED THEIR MAXIMUM RATED PRESSURES. REFER TO THE OPERATORS MANUAL FOR MAXIMUM PRESSURES OR CONTACT THE SUPPLIER.

EXCESSIVE PRESSURE MAY RESULT IN ABRUPT AND VERY SERIOUS FAILURES IN THE SYSTEM WHICH CAN CAUSE DEATH OR SERIOUS BODILY INJURY TO PERSONS NEARBY AND/OR DAMAGE THE PUMP.

Eaton
 14615 Lone Oak Road
 Eden Prairie, MN 55344
 USA
 Tel: 952 937-9800
 Fax: 952 974-7722
 www.hydraulics.eaton.com

Eaton
 20 Rosamond Road
 Footscray
 Victoria 3011
 Australia
 Tel: (61) 3 9319 8222
 Fax: (61) 3 9318 5714

Eaton
 Dr. Reckeweg-Str. 1
 D-76532 Baden-Baden
 Germany
 Tel: (49) 7221 682-0
 Fax: (49) 7221 682-788

© 2004 Eaton Corporation
 All Rights Reserved
 Printed in USA
 Document No. V-PUPI-T1002-E
 May 2004