

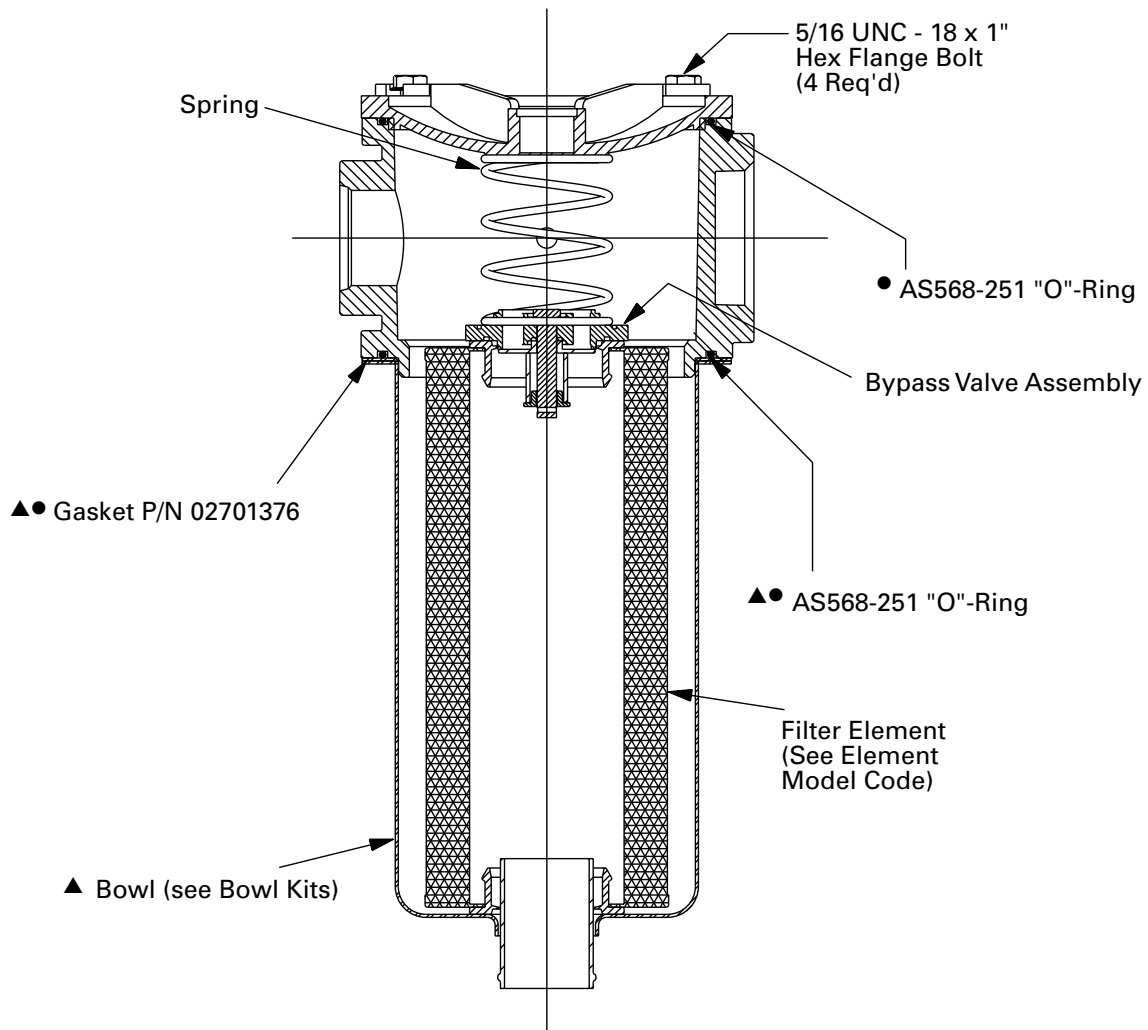


# Vickers

## HF4RT Series High Performance Low Pressure Filter

Flows to 568 L/min (150 USgpm) 13,8 bar (200 psi)

Service Data



● Included in Seal Kits

**SEAL KIT PRODUCT NUMBERS**

3039692 Buna

3039693 Viton\*

\* Viton is a registered trademark  
of E.I. DuPont

▲ Included in Bowl Kits

**BOWL KIT PRODUCT NUMBERS**

3039667 Buna 9"

3039679 Viton 9"

3039668 Buna 18"

3039680 Viton 18"

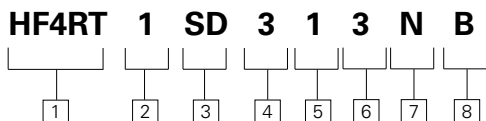
3039669 Buna 27"

3039681 Viton 27"



# Model Code

## Housing Assembly



**1 Filter Series** - New

**HF4RT**

**2 Element Collapse Rating**

**1** - 150 PSI Low Collapse

**3 Port options**

**BC** - G1<sup>1</sup>/<sub>4</sub> to ISO 228

**ME** - 1<sup>1</sup>/<sub>2</sub>" - SAE 4 bolt Flange Code 61 (M12 x 1.75)

**SD** - 1.875 - 12 UN SAE-24 str. Thd. (1<sup>1</sup>/<sub>2</sub>" tube)

**FE** - 1<sup>1</sup>/<sub>2</sub>" - SAE 4 bolt Flange Code 61 (UNC)

**4 Valve options**

**3** - Bypass set at 25 PSI cracking pressure

**4** - Bypass set at 43 PSI cracking pressure

**5 Indicator options**

**1** - No indicator

**2** - 0-10 Bar pressure gauge

**4** - 0 to 60 PSI pressure gauge, color coded

**6** - Electrical switch, 15 PSI Brad Harrison connector

**7** - Electrical switch, 30 PSI Brad Harrison connector

**8** - Electrical switch, 15 PSI Hirshman connector

**9** - Electrical switch, 30 PSI Hirshman connector

**6 Element length**

mm (in)

**3** - 229 (9) 378 (14.9)

**6** - 457 (18) 584 (23)

**7** - 686 (27) 787 (31)

**9** - 229 (9) 12" Ext. tube

**7 Secondary Port**

**BC** - G1<sup>1</sup>/<sub>4</sub> to ISO 228

- use with BC Inlet Port

**SD** - 1.875 - 12 UN

SAE-24 str. Thd.

(1<sup>1</sup>/<sub>2</sub>" tube) - use with

SD Inlet Port

**SZ** - 2.50 - 12 UN SAE-32 str.

Thd. (2" tube)

- use with FE Inlet Port

**N** - No Secondary Port

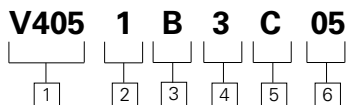
**Note:** No secondary port is available with the ME inlet port option.

**8 Seal material**

**B** - Buna-N

**V** - Viton-A

## Element



**1 Filter element**

**V405** - For use with HF4RT series filters

**2 Element collapse rating**

**1** - 10 bar (150 PSID)

**3 Seal material**

**B** - Buna-N

**V** - Viton-A

**4 Element length**

mm (in)

**3** - 229 (9)

**6** - 457,2 (18)

**7** - 685,8 (27)

**5 Element construction**

**C** - C-Pak (grade 3, 5, 10, 20)

**6 Fluid cleanliness ratings**

**Code Target fluid cleanliness level**

**03** 16/14/12 or better

**05** 18/16/14 or better

**10** 20/18/15 or better

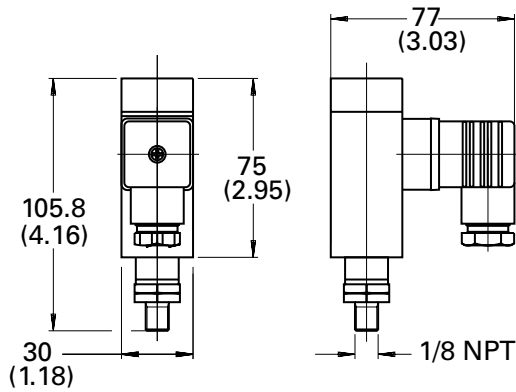
**20** 22/19/16 or better

The table assumes limited ingress/single pass of pump flow through element. For detailed assistance, see "The Vickers Guide to Systemic Contamination Control" or contact your local Eaton representative.

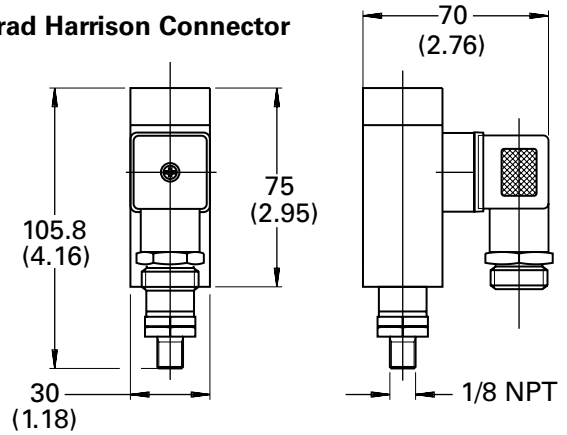
# Accessories

## Electrical Pressure Switch

### Hirshman Connector



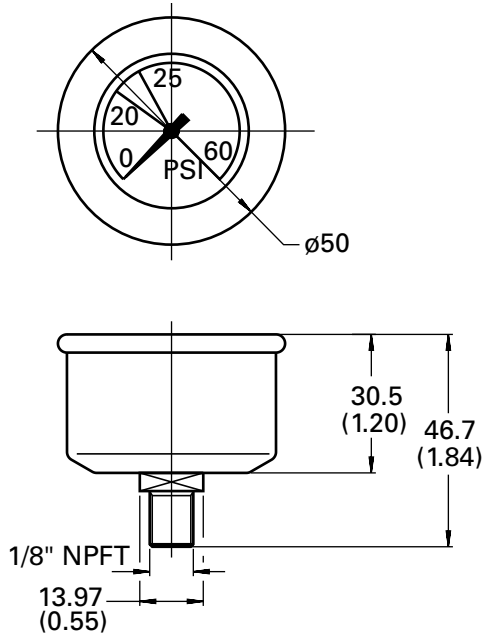
### Brad Harrison Connector



Housing	Part Number
HF4RT	3039705 Electrical Switch 15 PSI Brad Harrison Connector 3039707 Electrical Switch 15 PSI Hirshman Connector
HF4RT	3039706 Electrical Switch 30 PSI Brad Harrison Connector 3039708 Electrical Switch 30 PSI Hirshman Connector

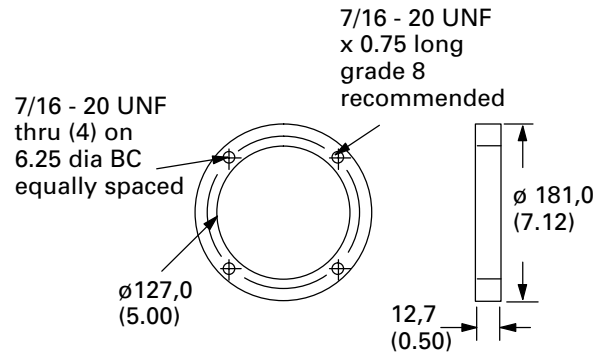
## Gauge

### 0-4 Bar (0-60 PSI) Gauge



## Weld Flange

For use with HF4RT  
P-232964-01



**Note:** Gauges indicate pressure in both bar and PSI

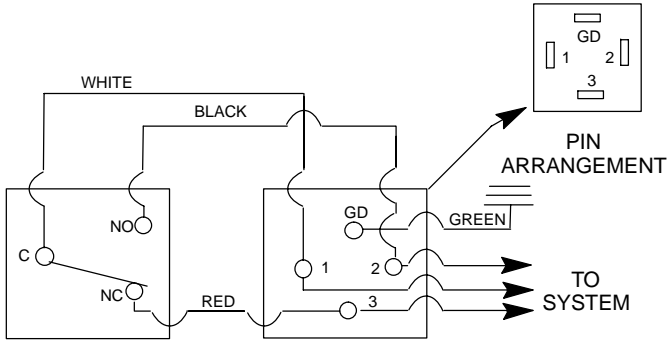
Housing	Part Number
HF4RT	3039703 Gauge 0-160 PSI (use with 43 PSI Bypass Valve) 3039704 Gauge 0-60 PSI (use with 25 PSI Bypass Valve)

# Schematic Wiring Diagram

## Indicator Switch

### Note

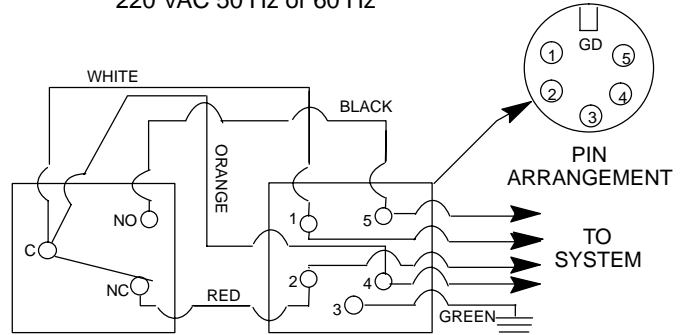
When fitting indicator, torque to 41-47 Nm.



Hirschmann (DIN 43650 Type AM) Receptacle

### Electrical

Switch: SPDT  
 Rating: 7 amps, resistive  
 4 amps, inductive  
 2 amps, lamp load  
 @28 VDC, 115 VAC 60 Hz &  
 220 VAC 50 Hz or 60 Hz



Brad Harrison (41512) Receptacle

**Eaton**  
 14615 Lone Oak Road  
 Eden Prairie, MN 55344  
 USA  
 Tel: 952 937-9800  
 Fax: 952 974-7722  
 www.hydraulics.eaton.com

**Eaton**  
 20 Rosamond Road  
 Footscray  
 Victoria 3011  
 Australia  
 Tel: (61) 3 9319 8222  
 Fax: (61) 3 9318 5714

**Eaton**  
 46 New Lane, Havant  
 Hampshire PO9 2NB  
 England  
 Tel: (44) 23 92 486 451  
 Fax: (44) 23 92 487 110