

OFPM 006 Filter Specifications

Application

Designed to mount directly underneath CETOP3/DO3 Valves. The fluid is filtered prior to entering the valve "P" (Pressure) Port.

Element collapse pressure

H element: 210 bar (3000 psi)

Filter body

Max. pressure: 320 bar (4600 psi)

Min. burst press: 840 bar (12,200 psi)

Fatigue test:

Body subjected to pressure impulses from 0 to 320 bar (0 to 4600 psi); withstood 1 million cycles.

Material

Head: Cast Iron

Bowl: Steel

Element media: Glass

microfiber

Seals: Nitrile (Buna-N) Vitron

Housing and element fluid compatibility

Compatible with most petroleum oil, water glycol, oil-in-water, and water-in-oil fluids. Optional seals available for phosphate esters.

Micron rating

A03 code: 3 micron

A06 code: 6 micron

A10 code: 10 micron

A25 code: 25 micron

Temperatute range

- 25°C to + 110°C
(-13°F to +230°F)

Dry weight (approximate)

OFPM 006 — 2.4 kg (5.2#)

Element condition indicators

Indicator differential pressure setting: 5 bar (75 psi) ± 10%

K7 & N7 INDICATORS

Max. voltage: 220 Vac
50 to 60 Hz

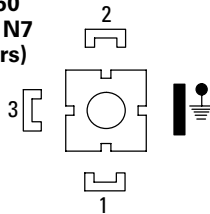
Max. current: 0.5 A resistive
0.25 A inductive

Switching power: 100 VA

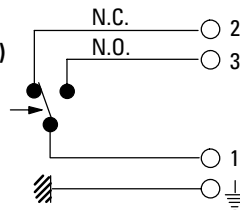
SUPPLY VOLTAGE (V)	K7 SERIES INDICATOR (VISUAL-ELECTRICAL)		N7 SERIES INDICATOR (ELECTRICAL)	
	RESISTIVE LOAD (A)	INDUCTIVE LOAD (A)	RESISTIVE LOAD (A)	INDUCTIVE LOAD (A)
120 Vac	5	5	5	2
250 Vac	5	5	5	2
30 Vdc	5	5	5	3
50 Vdc	—	—	1	1
75 Vdc	—	—	0,75	0,75
125 Vdc	—	—	0,5	0,03
250 Vdc	—	—	0,25	0,03

Connector

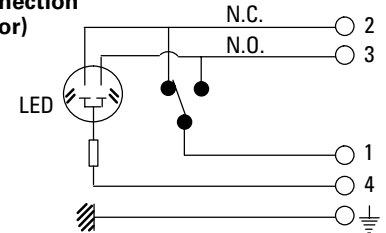
Din 43650
(K7 and N7 indicators)



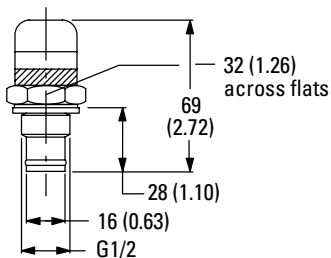
Electrical Connection (N7 indicator)



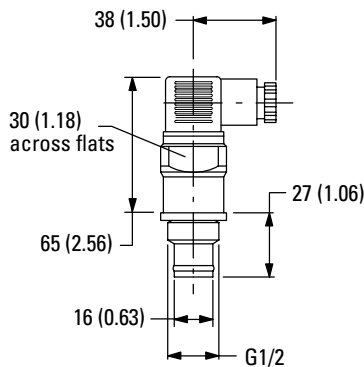
Electrical Connection (K7 indicator)



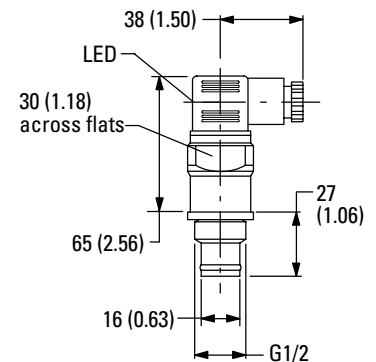
Visual V7 Series



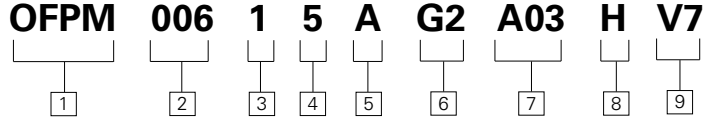
Electrical N7 Series



Visual-Electrical K7 Series



Filter Model Codes



1 Filter Series

OFPM - Pressure line filter

2 Nominal filter size

006

3 Bowl length

1 - 006

4 Integral bypass valve

S - Without bypass valve

5 Seals

A - Nitrile (Buna-N)

V - Vitron†

† Viton is a registered trademark of E.I. DuPont

6 Port options

Port Nominal filter size code 006

G1 - Bowl Side A

G2 - Bowl Side B

7 Element micron rating

A03 - 3 micron

A06 - 6 micron

A10 - 10 micron

A25 - 25 micron

X - Housing only

8 Element series (collapse pressure)

H - 210 bar (3045 psi)

- Omit for housing only

9 Element condition indicator

T2 - With plug

V7 - Visual 74 psi

N7 - Electrical 75 psi

K7* - Visual electrical 75 psi

* $\begin{cases} 1 = 24 \text{ volt} \\ 2 = 115 \text{ volt} \\ 3 = 230 \text{ volt} \end{cases}$

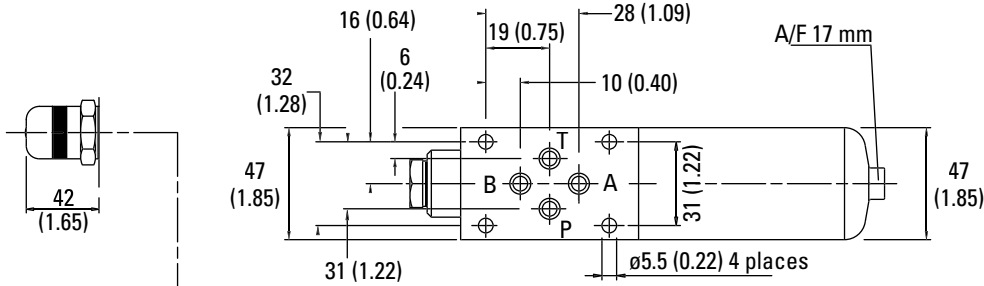
* For K visual-electrical indicator, specify the voltage (f.i. K71)

Indicator Options

mm (inch)

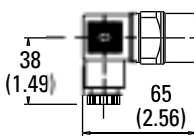
Visual

V7



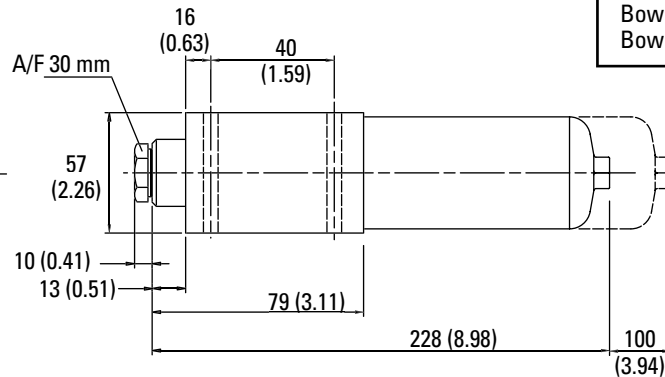
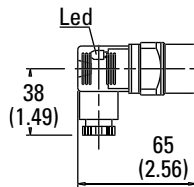
Electrical

N7

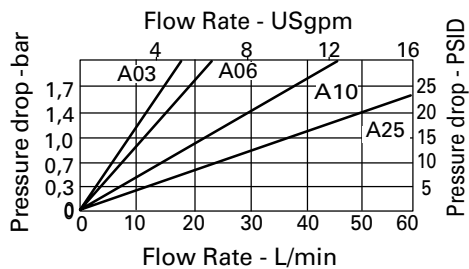


Visual/Elec

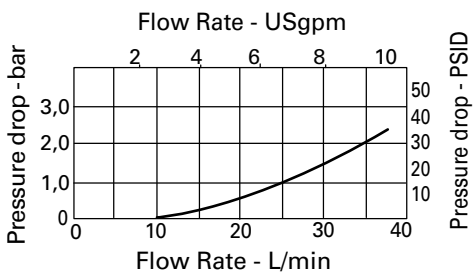
K7



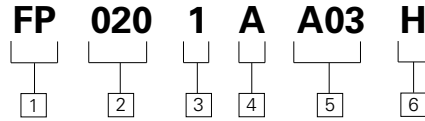
Element Pressure Drop



Housing Pressure Drop



Replacement Element Model Codes



1 Element series

FP - Element for pressure line filter

2 Nominal filter size

020

3 Filter bowl length

1 - OFPM 006

4 Seals

A - Nitrile (Buna-N)
V - Vitron

5 Micron Rating

A03 - 3 micron

A06 - 6 micron

A10 - 10 micron

A25 - 25 micron

6 Element collapse pressure

H - 210 bar (3045 psi)

Eaton
14615 Lone Oak Road
Eden Prairie, MN 55344
USA
Tel: 952 937-9800
Fax: 952 974-7722
www.hydraulics.eaton.com

Eaton
20 Rosamond Road
Footscray
Victoria 3011
Australia
Tel: (61) 3 9319 8222
Fax: (61) 3 9318 5714

Eaton
46 New Lane, Havant
Hampshire PO9 2NB
England
Tel: (44) 23 92 486 451
Fax: (44) 23 92 487 110