

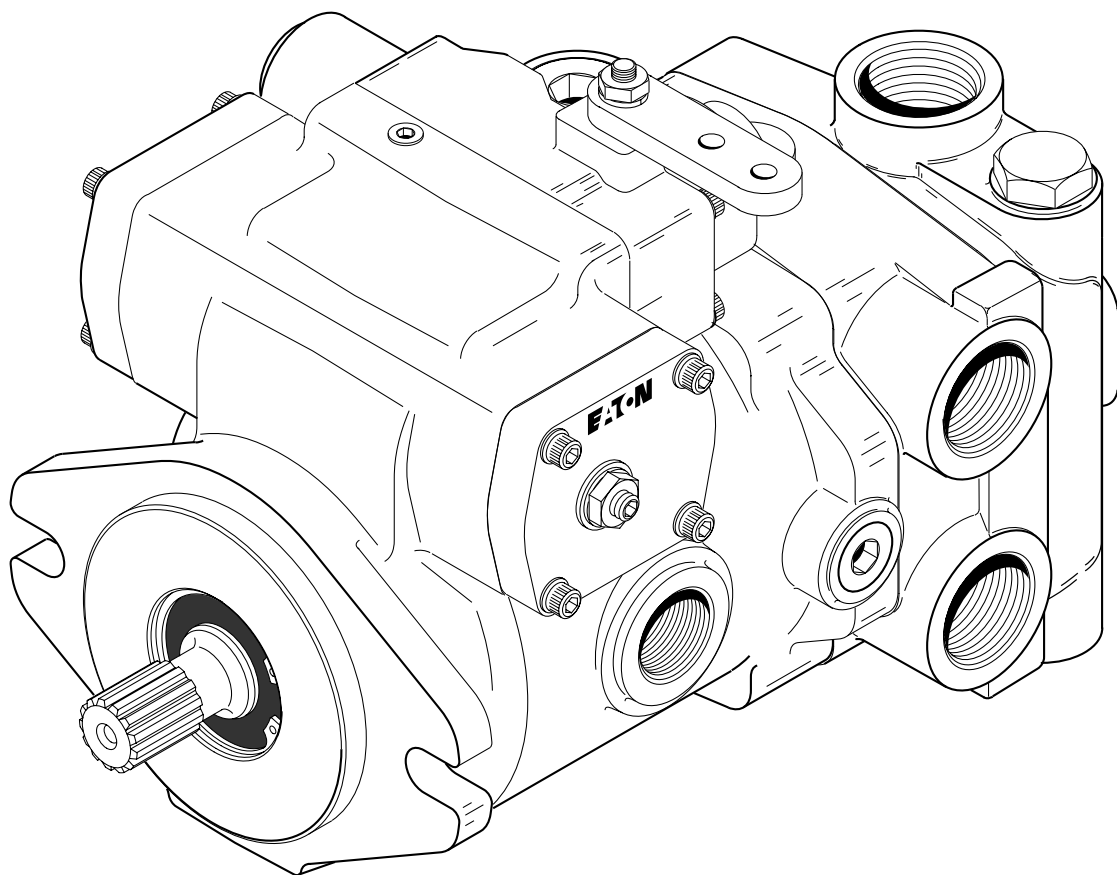
EATON

Hydraulics

Model 72400 Servo Controlled Piston Pump

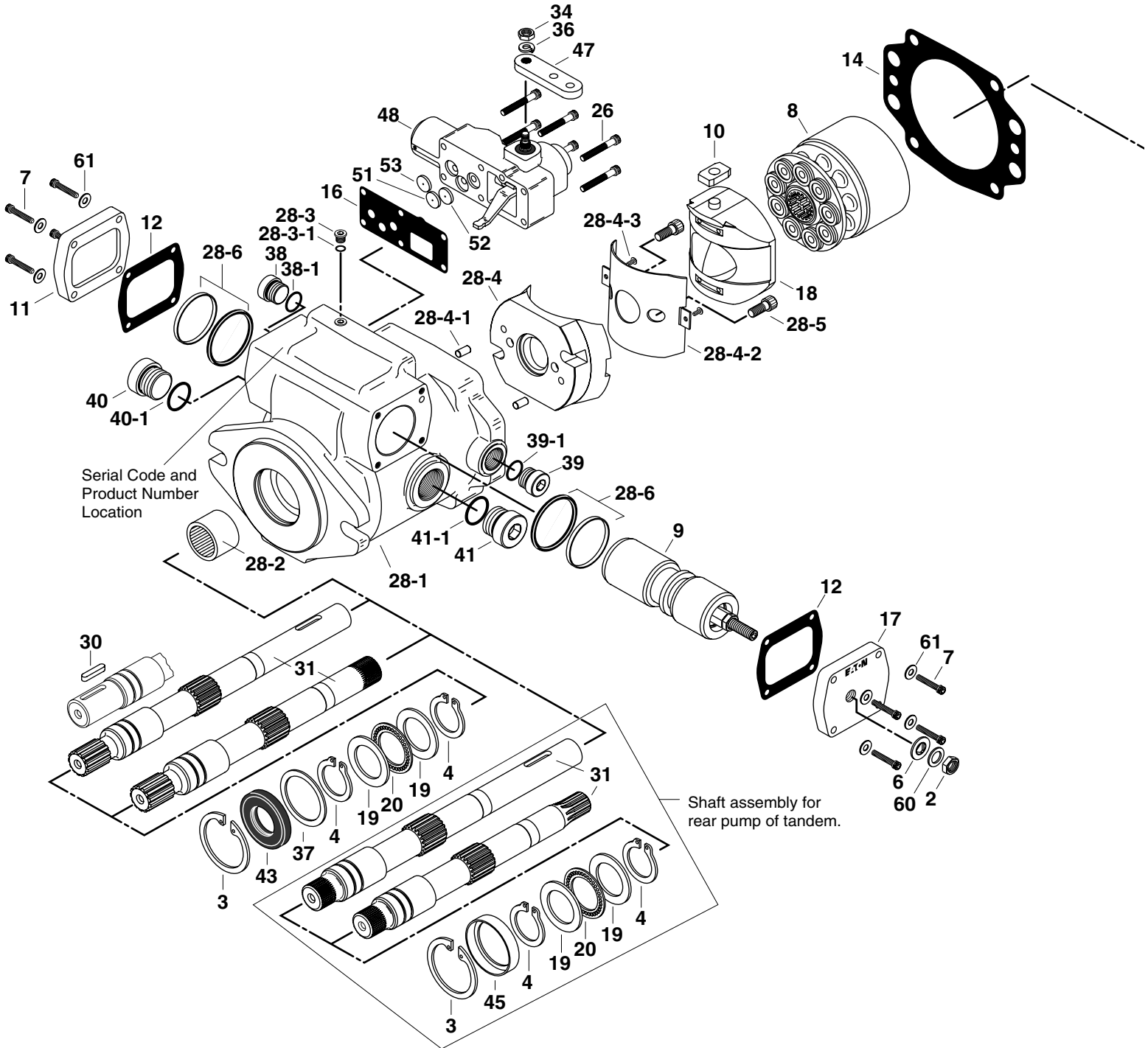
Parts Information

EN-0801



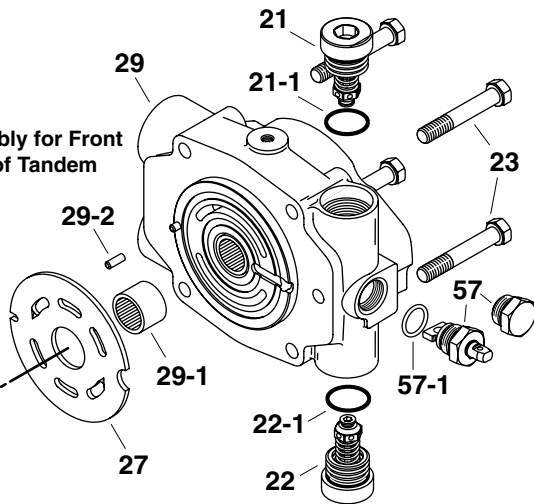
Parts Drawing

Pump drawn below is typical of a righthand rotation with porting out the left side of pump.

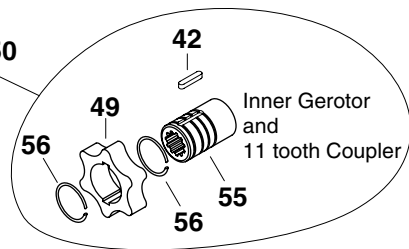
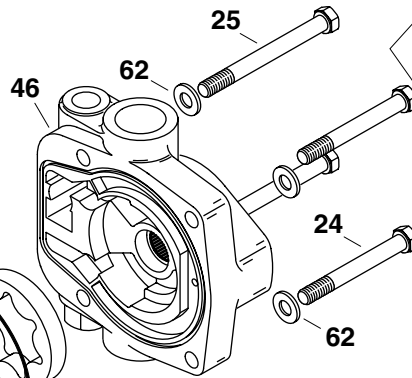
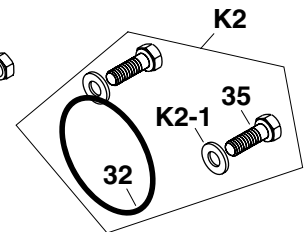
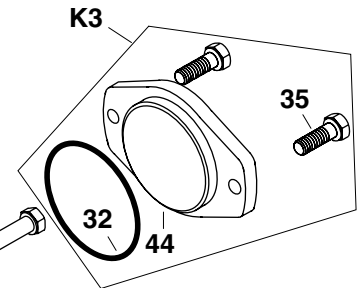
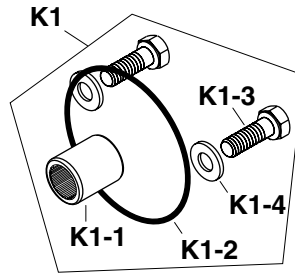
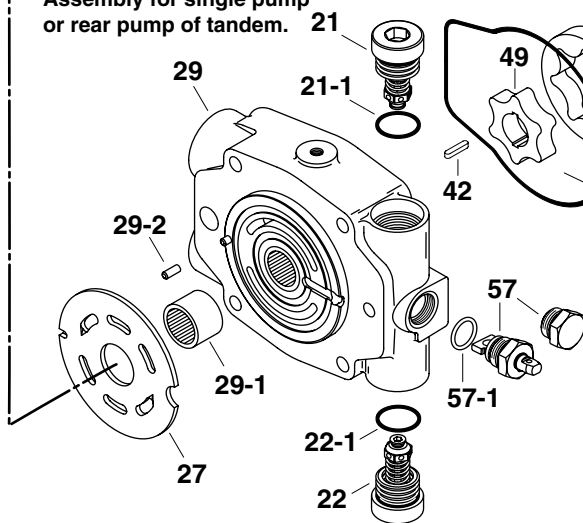


Parts Drawing

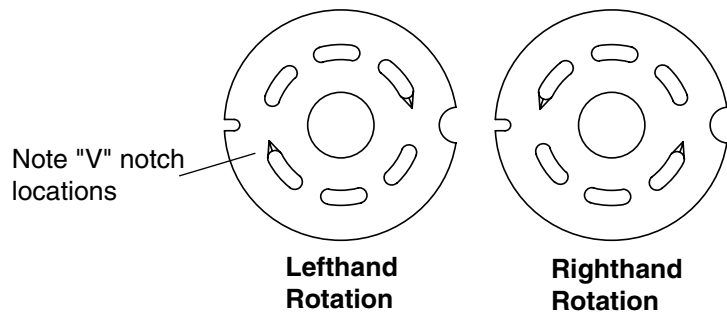
Assembly for Front pump of Tandem



Assembly for single pump or rear pump of tandem.



Valve Plate Identification



Parts List

Item	Part No.	Qty.	Description
2	16024-6	1	Jam Nut
+ 3	16077-32	1	Retaining Ring
+ 4	16078-18	2	Retaining Ring
+ 6	16254-6	1	Seal Washer
7	16147-310	8	Cap Screw, #10-24, 25,4 mm [1.0 in.] Long
8	→	1	Rotating Kit Assembly (parts list on page 6)
9	113684-001	1	Servo Piston Assembly (parts list on page 6)
10	72400-585	1	Servo Piston Follower
11	72400-620	1	Cover Plate
+ 12	72400-621	2	Cover Plate Gasket
+ 14	72400-626	1	Housing Gasket
+ 16	72400-631	1	Control Housing Gasket
17	72400-651	1	Cover Plate
18	72400-677	1	Swashplate
19	74308-100	2	Thrust Race
20	74308-101	1	Thrust Bearing
21	→	1	Relief Valve for Port "A" (parts list on page 7)
+ 21-1	16133-12	1	O-ring, 2,95 mm Dia. x 23,47 mm I.D. [.116 in. Dia. x .924 in. I.D.]
22	→	1	Relief Valve for Port "B" (parts list on page 7)
+ 22-1	16133-12	1	O-ring, 2,95 mm Dia. x 23,47 mm I.D. [.116 in. Dia. x .924 in. I.D.]
23	16136-622	4	Cap Screw, 3/8-16, 57,2 mm [2.25 in.] Long
24	16136-634	2	Cap Screw, 3/8-16, 88,9 mm [3.5 in.] Long
25	16136-640	2	Cap Screw, 3/8-16, 101,6 mm [4.0 in.] Long
26	16147-314	6	Cap Screw
27		1	Valve Plate, 2.48 in ³ /r
	70344-51		Righthand (CW) Rotation
	70344-52		Lefthand (CCW) Rotation
28	→	1	Housing Assembly (Identification on page 7)
28-1	→	1	Housing (Identification on page 7)
28-2	16238-11816	1	Bearing (press fit)
28-3	025083-002	1	Plug Sub-Assembly
+ 28-3-1	008785-002	1	O-ring, 1,63 mm Dia. x 6,1 mm I.D. [.064 in. Dia. x .239 in. I.D.]
28-4	112258-001	1	Cradle Sub-Assembly
28-4-1	16028-404	2	Dowel Pin
28-4-2	112256-001	1	Bushing
28-4-3	16269-106	2	Cap Screw, Button Head
28-5	16148-506	2	Cap Screw
+ 28-6	72400-583	2	Seal Sub-Assembly
29	→	1	Endcover Assembly (Identification on page 8)
29-1	52200-23	1	Bearing (press fit)
29-2	16026-610	1	Roll Pin
30	16246-516	1	Key
31	→	1	Drive Shaft (Identification on page 9)
	72400-200		15 tooth, 16/32 DP - w/ 41 tooth, 48/96 DP (Tandem Front Pump)
	72400-201		41 tooth, 48/96 DP - w/ 11 tooth, 16/32 DP (Tandem Rear Pump)
	72400-202		41 tooth, 48/96 DP - w/ 9 tooth, 16/32 DP (Tandem Rear Pump)
	72400-204		15 tooth, 16/32 DP - w/ 9 tooth, 16/32 DP (Single Pump)
	72400-211		13 tooth, 16/32 DP - w/ 9 tooth, 16/32 DP (Single Pump)
	72400-212		15 tooth, 16/32 DP - w/ 11 tooth, 16/32 DP (Single Pump)
	72400-213		25.4 [1.00] Dia. Str., w/ keyway - w/ 9 tooth, 16/32 DP (Single Pump)
+ 32	16007-14	1	O-ring, 1.59 mm Dia. x 82.55 mm I.D. [.0625 in. Dia. x 3.25 in. I.D.]
+ 33	72400-646	1	Molded O-ring
34	16021-4	1	Nut
35	16032-610	2	Cap Screw, 3/8-16, 25,4 mm [1.0 in.] Long
36	16045-104	1	Lockwasher
37	16048-319	1	Washer

Parts List

Item	Part No.	Qty.	Description
38	16103-308	1	Plug
+ 38-1	16133-8	1	O-ring, 2,21 mm Dia. x 16,36 mm I.D. [.087 in. Dia. x .644 in. I.D.]
39	16103-308	1	Plug
+ 39-1	16133-8	1	O-ring, 2,21 mm Dia. x 16,36 mm I.D. [.087 in. Dia. x .644 in. I.D.]
40	16103-312	1	Plug
+ 40-1	16133-12	1	O-ring, 2,95 mm Dia. x 23,47 mm I.D. [.116 in. Dia. x .924 in. I.D.]
41	16103-312	1	Plug
+ 41-1	16133-12	1	O-ring, 2,95 mm Dia. x 23,47 mm I.D. [.116 in. Dia. x .924 in. I.D.]
42		1	Key
	16246-429		Used with 9 tooth internal spline through shafts
	16246-431		Used on 11 tooth drive coupler with 12,7 mm [.5 in.] width gerotor
	16244-443		Used on 11 tooth drive coupler with 6,35 mm [.25 in.] width gerotor
+ 43	16253-18	1	Shaft Seal, Standard
43	16253-218	1	Shaft Seal, Viton
44	70142-600	1	Cover Plate
45	70400-620	1	Spacer
46	→	1	Charge Pump Adapter Assembly (parts list & ID. on Page 10 & 11)
47	72400-506	1	Control Arm
48	→	1	Servo Control Assembly (parts list & ID. on Page 12 & 16)
49		1	Inner Ring Gerotor (match displacement with Item 46 & 50)
	79004-611		6,9 cm ³ /r [.42 in ³ /r] displacement, 6,35 mm [.25 in.] width
	79004-605		13,8 cm ³ /r [.84 in ³ /r] displacement, 12,7 mm [.5 in.] width
	72400-673		6,9 cm ³ /r [.42 in ³ /r] displacement (used with Item 55 coupler)
	72400-640		13,8 cm ³ /r [.84 in ³ /r] displacement (used with Item 55 coupler)
50		1	Outer Ring Gerotor (match displacement with Item 46 & 49)
	79004-612		6,9 cm ³ /r [.42 in ³ /r] displacement, 6,35 mm [.25 in.] width
	79004-606		13,8 cm ³ /r [.84 in ³ /r] displacement, 12,7 mm [.5 in.] width
51	→	1	Supply Orifice (orifice chart on page 17)
52	→	1	Control Valve Orifice (orifice chart on page 17)
53	→	1	Control Valve Orifice (orifice chart on page 17)
55	72400-639	1	Coupler, 11 tooth
56	72400-638	2	Retaining Ring, (used with Item 55)
57		1	Bypass Valve
	113578-001		Bypass Valve Actuator
	16103-108		Plug (selected when bypass valve is not required)
57-1	16133-8	1	O-ring, 2,21 mm Dia. x 16,36 mm I.D. [.087 in. Dia. x .644 in. I.D.]
60	16254-26	1	Washer
61	16048-672	8	Washer
62	106013-038	4	Washer

Kits

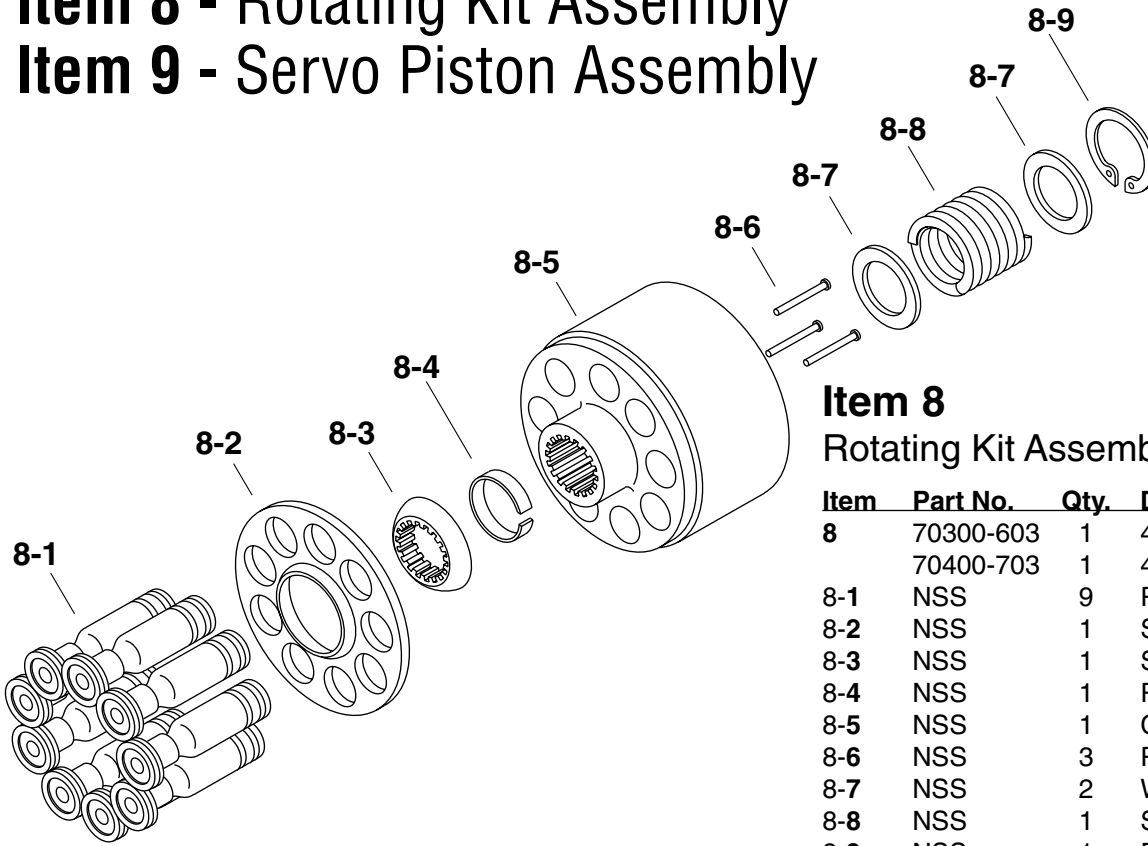
K1	72400-902	1	Tandem Servo Piston Pump Mounting Kit
K1-1	70411-622	1	Coupler, 41 tooth
+ K1-2	16007-17	1	O-ring, 1,59 mm Dia. x 101,6 mm I.D. [.0625 in. Dia. x 4 in. I.D.]
K1-3	16032-812	2	Cap Screw, 1/2-13, 31,75 mm [1.25 in.] Long
K1-4	16048-72	2	Washer
K2	70442-929	1	Gear Pump Mounting Kit
			Includes Items 32 and 35
K2-1	16048-113	2	Washer
K3	70142-915	1	Cover Plate Kit for "A" SAE Flange Series 82-2 Mount
			Includes Items 32, 35, and 44
	72400-908	1	Seal Repair Kit for single pump (Two required for tandem units).
	72400-916	1	Seal Repair Kit for single pump with Viton shaft seal (Two required for tandem units).

Legend

- Refer to specific Item parts list.
+ Parts included in 72400-908 Seal Repair kit.

Item 8 - Rotating Kit Assembly

Item 9 - Servo Piston Assembly

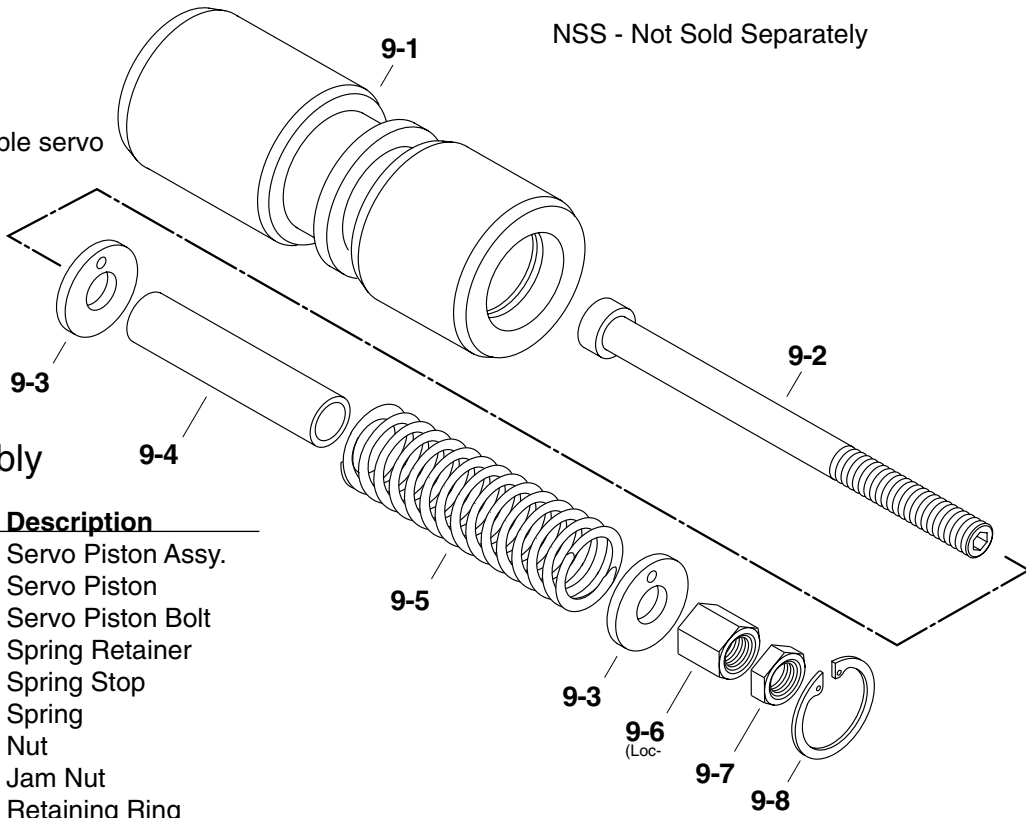


Item 8 Rotating Kit Assembly

Item	Part No.	Qty.	Description
8	70300-603	1	40,6 cm ³ /r [2.48 in ³ /r]
	70400-703	1	49,2 cm ³ /r [3.00 in ³ /r]
8-1	NSS	9	Piston Assembly
8-2	NSS	1	Shoe Retainer
8-3	NSS	1	Shoe Retainer Pivot
8-4	NSS	1	Retainer
8-5	NSS	1	Cylinder Barrel
8-6	NSS	3	Pins
8-7	NSS	2	Washer
8-8	NSS	1	Spring
8-9	NSS	1	Retaining Ring

NSS - Not Sold Separately

Note: Do not disassemble servo piston assembly.



Item 9 Servo Piston Assembly

Item	Part No.	Qty.	Description
9	113684-001	1	Servo Piston Assy.
9-1	NSS	1	Servo Piston
9-2	NSS	1	Servo Piston Bolt
9-3	NSS	2	Spring Retainer
9-4	NSS	1	Spring Stop
9-5	NSS	1	Spring
9-6	NSS	1	Nut
9-7	NSS	1	Jam Nut
9-8	NSS	1	Retaining Ring

NSS - Not Sold Separately

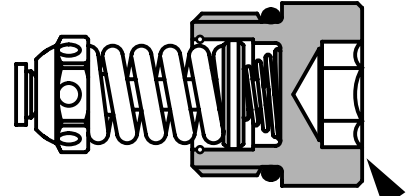
Item 21 or 22 - Relief Valve S/A

Item 28 - Housing Identification

Item 21 or 22

Internal Relief Valve Settings Available

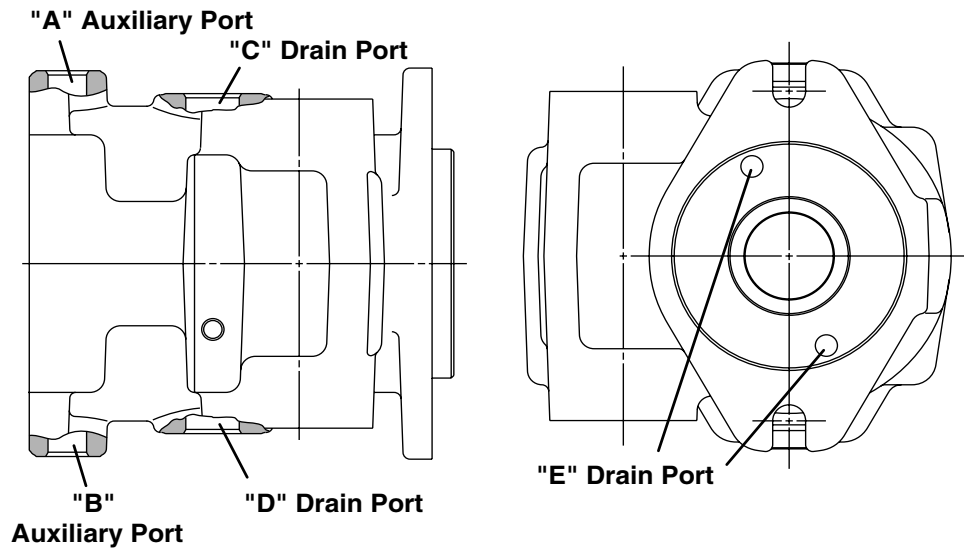
Part Number	bar [PSI]
110700-200	138 [2000]
110700-250	172 [2500]
110700-300	207 [3000]
110700-350	241 [3500]
110700-400	276 [4000]
110700-450	310 [4500]
110700-500	345 [5000]



Dash Number Stamped here
for Valve Pressure Setting Identification
Example: 500 x 10 = [5000 PSI] 345 bar

Item 28

Housing Identification



Housing Assy. Item	Part No.	Housing Item	Part No.	Qty.	Port Machined
28	112259-001	28-1	72373-001	1	A, B, C, D
28	112259-012	28-1	72373-012	1	A, B, C, D, E
28	112259-013	28-1	72373-013	1	A, B, E

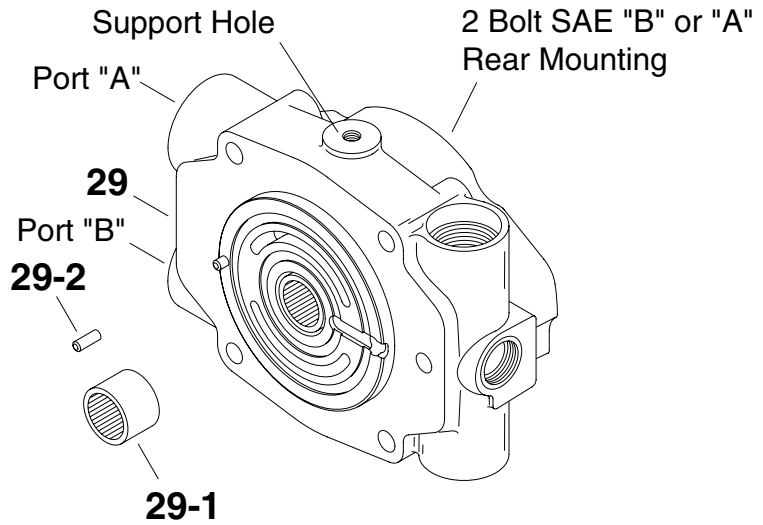
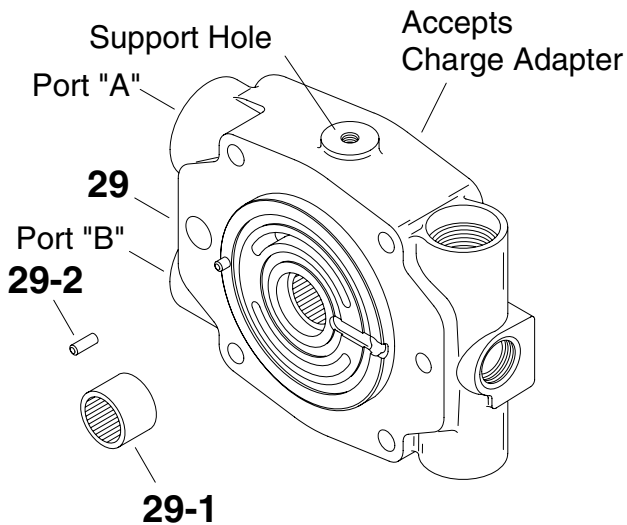
Item 29 - Endcover Assembly Identification

Parts List

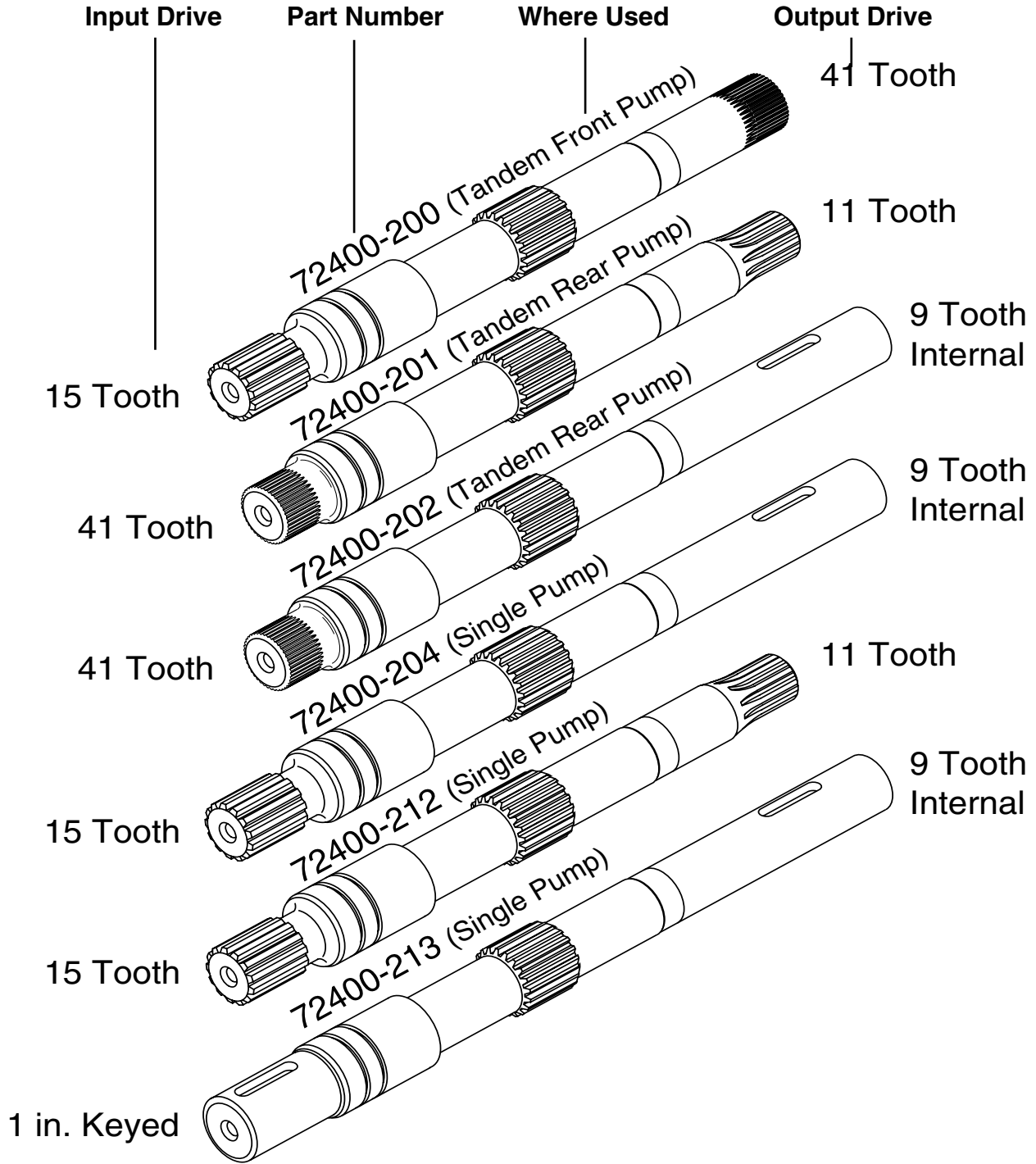
Item	Part No.	Qty.	Description
29	Chart Below	1	Endcover Assembly
29-1	52200-23	1	Bearing (press fit)
29-2	16026-610	1	Roll Pin

Item 29 - Endcover Assembly Part Number Identification

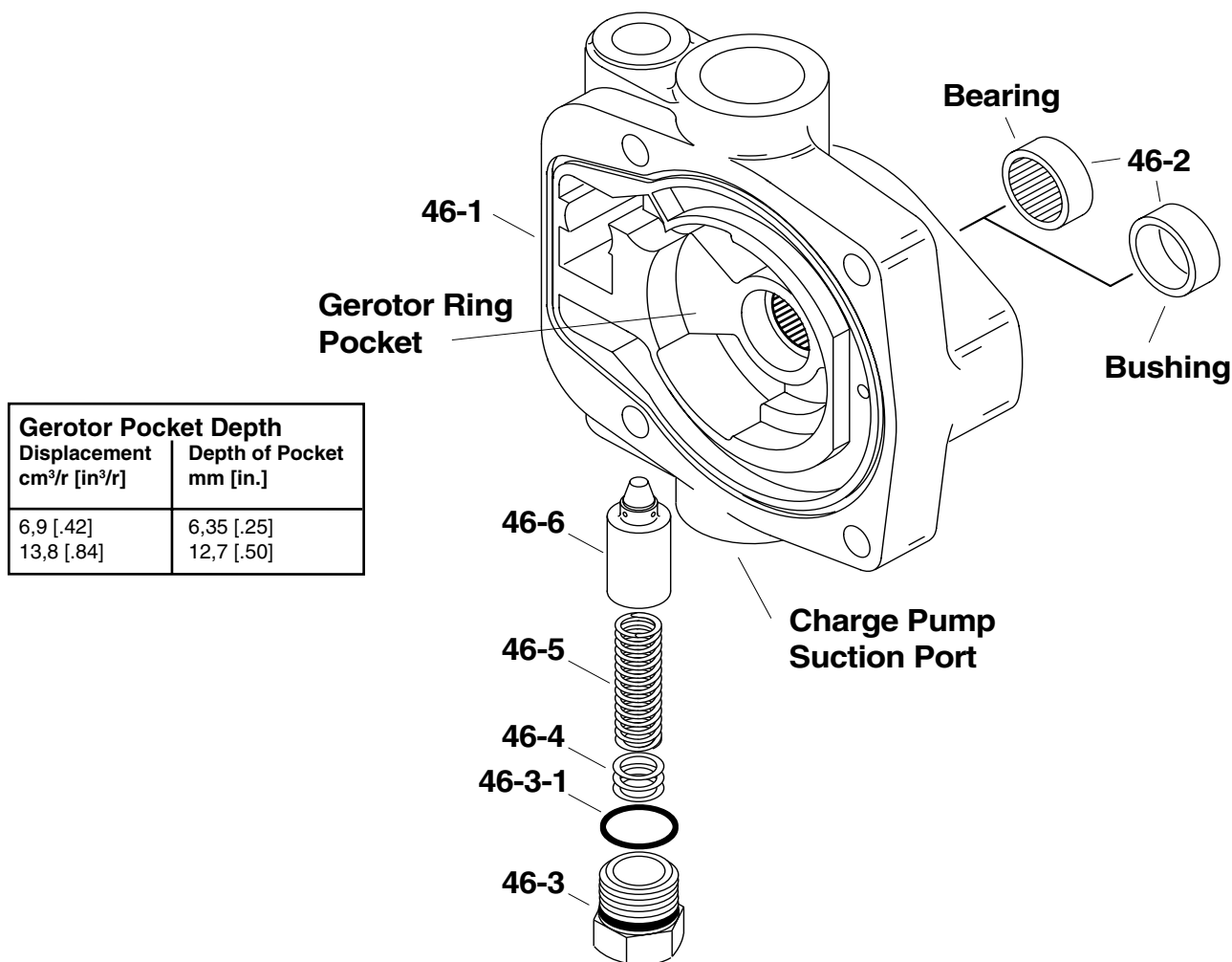
Rear Mounting	Support Hole	Item 29 Endcover Assembly Part Number
Rear "B" Mount (no gerotor charge adapter)	with Hole	113585-002
	None	113585-001
Accepts Gerotor Charge Pump Adapter with "A" Mount	with Hole	113581-002
	None	113581-001
Rear "A" Mount (no gerotor charge adapter)	with Hole	113583-002
	None	113583-001



Item 31 - Drive Shaft Identification



Item 46 - Charge Pump Adapter Assembly

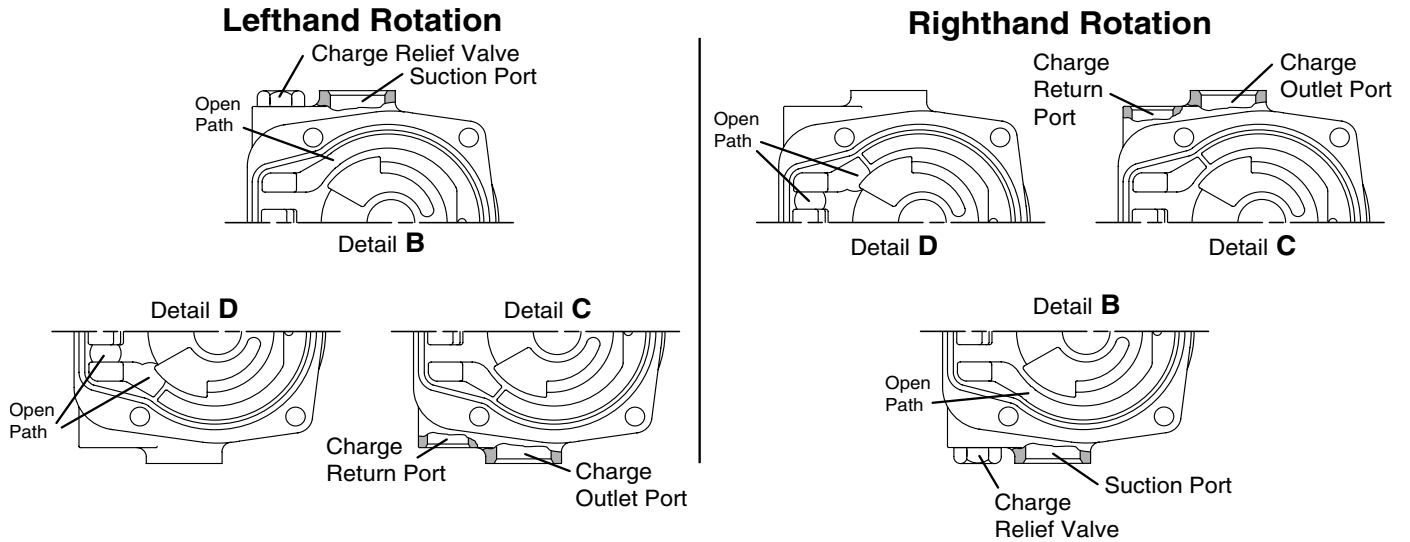


Gerotor Pocket Depth	
Displacement cm ³ /r [in ³ /r]	Depth of Pocket mm [in.]
6,9 [.42]	6,35 [.25]
13,8 [.84]	12,7 [.50]

Item	Part No.	Qty.	Description
46	See Chart	1	Assembly, Charge Pump Adapter
46-1	NSS	1	Charge Pump Adapter
46-2	16239-1148	1	Bearing (press fit), Used w/9 tooth output shaft
46-2	72400-637	1	Bushing (press fit), Used w/11 tooth output shaft
46-3	72400-659	1	Plug
+ 46-3-1	16133-10	1	O-ring
46-4	16048-597	<i>f</i>	Shims
46-5	17059-16	1	Spring
46-6	72400-682	1	Poppet

f - Shim as required
 NSS - Not sold separately

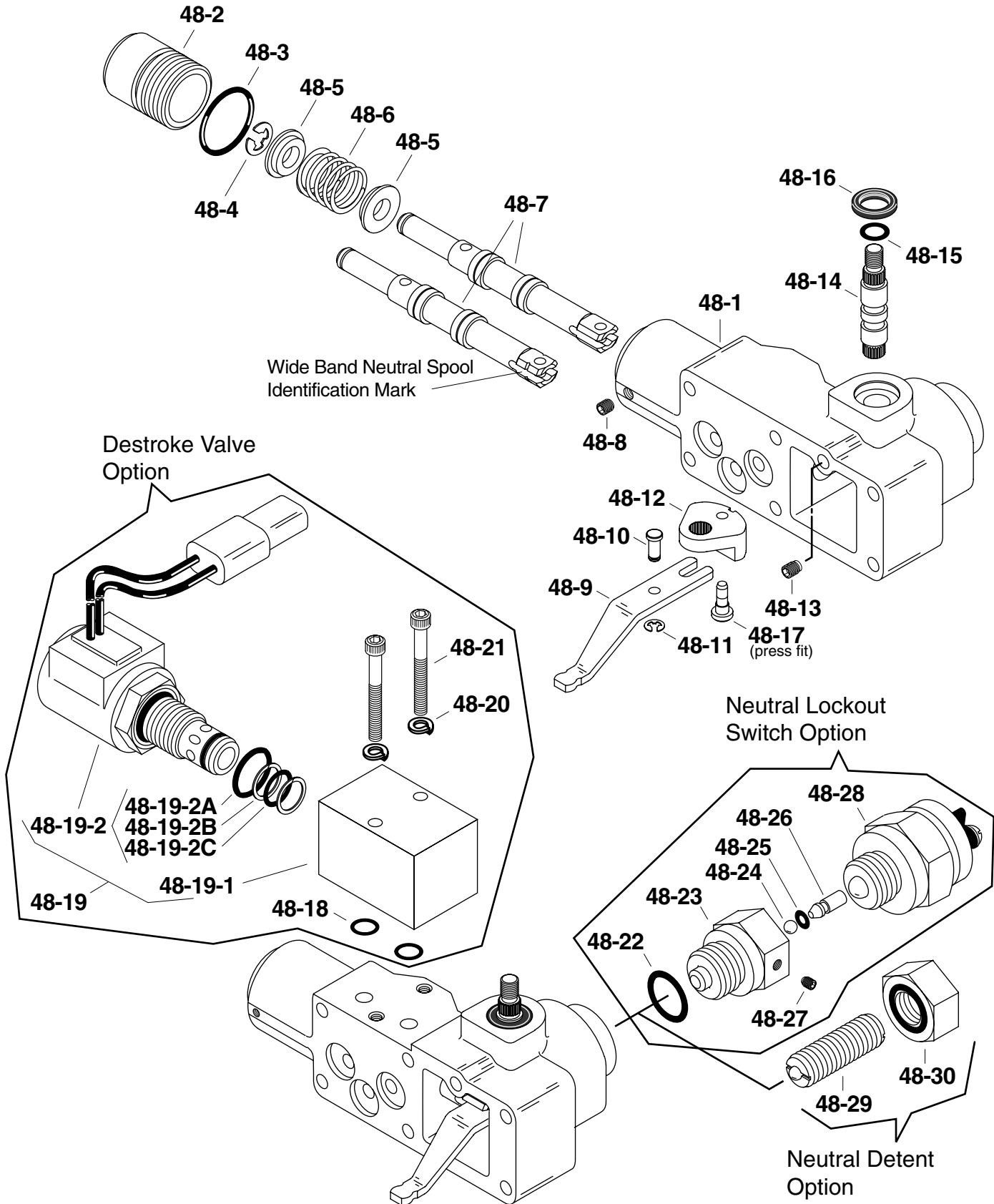
Item 46 - Charge Pump Adapter Identification



Adapter, Item 46, Identification Chart

Charge Pump Routing	Shaft Rotation	Refer to Detail	9 Tooth Output Shaft		11 Tooth Output Shaft	
			6,9 cm ³ /r [.42 in ³ /r] Displacement	13,8 cm ³ /r [.84 in ³ /r] Displacement	6,9 cm ³ /r [.42 in ³ /r] Displacement	13,8 cm ³ /r [.84 in ³ /r] Displacement
Charge Relieved to Case	Righthand	B & D	72356-010	72356-011	72348-010	72348-011
	Lefthand	B & D	72358-010	72358-011	72360-010	72360-011
Remote Filter and Charge Relieved to Case	Righthand	B & C	72356-007	72356-008	72348-007	72348-008
	Lefthand	B & C	72358-007	72358-008	72360-007	72360-008

Item 48 - Servo Controller Assemblies



Item 48 - Servo Controllers - Parts List

Index of Controllers	Page
72401-AA with No Additinal Features	13
72401-AD with Destroke Valve	13
72401-AE with Neutral Detent & Wide Band Neutral	13
72401-AF with Neutral Detent, Destroke Valve & Wide Band Neutral	14
72401-AG with Wide Band Neutral	14
72401-AH with Destroke Valve & Wide Band Neutral	14
72401-AR with Neutral Lockout, Destroke Valve & Wide Band Neutral	15
72401-AS with Neutral Lockout & Wide Band Neutral	15
72401-AL with High Gain Control	16

72401-AA

Item	Part No.	Qty	Description
48	72401-AA		Assembly with no additional features
48-1	72319-001	1	Control Housing
48-2	72400-507	1	Plug
+ 48-3	16015-8	1	O-ring
48-4	16124-31	1	Retaining Ring
48-5	72400-504	2	Spring Retainer
48-6	17073-14	1	Spool Centering Spring
48-7	72400-563	1	Valve Spool - Standard
48-8	102149-019	1	Set Screw
48-9	72400-502	1	Feedback Link
48-10	72400-508	1	Dowel Pin
48-11	16124-15	1	Retaining Ring
48-12	72400-519	1	Bell Crank
48-13	16139-304	1	Set Screw
48-14	72400-505	1	Input Shaft
+ 48-15	16003-5	1	O-ring
+ 48-16	16074-106	1	Wiper Seal
48-17	72400-520	1	Headed Pin (press fit)

72401-AD

Item	Part No.	Qty	Description
48	72401-AD		Assembly with Destroke Valve
48-1	72319-003		Control Housing
48-2	72400-507	1	Plug
+ 48-3	16015-8	1	O-ring
48-4	16124-31	1	Retaining Ring
48-5	72400-504	2	Spring Retainer
48-6	17073-14	1	Spool Centering Spring
48-7	72400-563	1	Valve Spool - Standard
48-8	102149-019	1	Set Screw
48-9	72400-502	1	Feedback Link
48-10	72400-508	1	Dowel Pin
48-11	16124-15	1	Retaining Ring
48-12	72400-519	1	Bell Crank
48-13	16139-304	1	Set Screw
48-14	72400-505	1	Input Shaft
+ 48-15	16003-5	1	O-ring
+ 48-16	16074-106	1	Wiper Seal
48-17	72400-520	1	Headed Pin (press fit)
48-18	16003-6	2	O-ring
48-19	72420-AE	1	Destroke Valve Assy.
48-19-1	72400-719	1	Manifold
48-19-2	72400-521	1	Destroke Valve w/12 VDC coil, Weatherpak Conn.
48-19-2A	16133-10	1	O-ring
48-19-2B	16101-102	2	Back-up Washer
48-19-2C	16015-2	1	O-ring
48-20	16045-103	2	Lock Washer
48-21	16148-316	2	Cap Screw

72401-AE

Item	Part No.	Qty	Description
48	72401-AE		Assembly with Neutral Detent & Wide Band Neutral
48-1	72319-005	1	Control Housing
48-2	72400-507	1	Plug
+ 48-3	16015-8	1	O-ring
48-4	16124-31	1	Retaining Ring
48-5	72400-504	2	Spring Retainer
48-6	17073-14	1	Spool Centering Spring
48-7	72400-544	1	Valve Spool - Wide Band Neutral
48-8	102149-019	1	Set Screw
48-9	72400-502	1	Feedback Link
48-10	72400-508	1	Dowel Pin
48-11	16124-15	1	Retaining Ring
48-12	72400-519	1	Bell Crank
48-13	16139-304	1	Set Screw
48-14	72400-505	1	Input Shaft
+ 48-15	16003-5	1	O-ring
+ 48-16	16074-106	1	Wiper Seal
48-17	72400-520	1	Headed Pin (press fit)
48-29	98193	1	Ball Plunger
48-30	101335	1	Nut, Seal

Item 48 - Servo Controllers - Parts List

72401-AF

Item	Part No.	Qty	Description
48	72401-AF		Assembly with Neutral Detent, Destroke valve & Wide Band Neutral
48-1	72319-006	1	Control Housing
48-2	72400-507	1	Plug
+ 48-3	16015-8	1	O-ring
48-4	16124-31	1	Retaining Ring
48-5	72400-504	2	Spring Retainer
48-6	17073-14	1	Spool Centering Spring
48-7	72400-544	1	Valve Spool - Wide Band Neutral
48-8	102149-019	1	Set Screw
48-9	72400-502	1	Feedback Link
48-10	72400-508	1	Dowel Pin
48-11	16124-15	1	Retaining Ring
48-12	72400-519	1	Bell Crank
48-13	16139-304	1	Set Screw
48-14	72400-505	1	Input Shaft
+ 48-15	16003-5	1	O-ring
+ 48-16	16074-106	1	Wiper Seal
48-17	72400-520	1	Headed Pin (press fit)
48-18	16003-6	2	O-ring
48-19	72420-AE	1	Destroke Valve Assy.
48-19-1	72400-719	1	Manifold
48-19-2	72400-521	1	Destroke Valve - w/12 VDC coil, Weatherpak Conn.
48-19-2A	16133-10	1	O-ring
48-19-2B	16101-102	2	Back-up Washer
48-19-2C	16015-2	1	O-ring
48-20	16045-103	2	Lock Washer
48-21	16148-316	2	Cap Screw
48-29	98193	1	Ball Plunger
48-30	101335	1	Nut, Seal

72401-AH

Item	Part No.	Qty	Description
48	72401-AH		Assembly with Wide Band Neutral & Destroke Valve
48-1	72319-003		Control Housing
48-2	72400-507	1	Plug
+ 48-3	16015-8	1	O-ring
48-4	16124-31	1	Retaining Ring
48-5	72400-504	2	Spring Retainer
48-6	17073-14	1	Spool Centering Spring
48-7	72400-544	1	Valve Spool - Wide Band Neutral
48-8	102149-019	1	Set Screw
48-9	72400-502	1	Feedback Link
48-10	72400-508	1	Dowel Pin
48-11	16124-15	1	Retaining Ring
48-12	72400-519	1	Bell Crank
48-13	16139-304	1	Set Screw
48-14	72400-505	1	Input Shaft
+ 48-15	16003-5	1	O-ring
+ 48-16	16074-106	1	Wiper Seal
48-17	72400-520	1	Headed Pin (press fit)
48-18	16003-6	2	O-ring
48-19	72420-AE	1	Destroke Valve Assy.
48-19-1	72400-719	1	Manifold
48-19-2	72400-521	1	Destroke Valve w/12 VDC coil, Weatherpak Conn.
48-19-2A	16133-10	1	O-ring
48-19-2B	16101-102	2	Back-up Washer
48-19-2C	16015-2	1	O-ring
48-20	16045-103	2	Lock Washer
48-21	16148-316	2	Cap Screw

72401-AG

Item	Part No.	Qty	Description
48	72401-AG		Assembly with Wide Band Neutral Spool
48-1	72319-001	1	Control Housing
48-2	72400-507	1	Plug
+ 48-3	16015-8	1	O-ring
48-4	16124-31	1	Retaining Ring
48-5	72400-504	2	Spring Retainer
48-6	17073-14	1	Spool Centering Spring
48-7	72400-544	1	Valve Spool - Wide Band Neutral
48-8	102149-019	1	Set Screw
48-9	72400-502	1	Feedback Link
48-10	72400-508	1	Dowel Pin
48-11	16124-15	1	Retaining Ring
48-12	72400-519	1	Bell Crank
48-13	16139-304	1	Set Screw
48-14	72400-505	1	Input Shaft
+ 48-15	16003-5	1	O-ring
+ 48-16	16074-106	1	Wiper Seal
48-17	72400-520	1	Headed Pin (press fit)

Item 48 - Servo Controllers - Parts List

72401-AR

Item	Part No.	Qty	Description
48	72401-AR		Assembly with Neutral Lockout, Destroke valve & Wide Band Neutral
48-1	72319-004	1	Control Housing
48-2	72400-507	1	Plug
+ 48-3	16015-8	1	O-ring
48-4	16124-31	1	Retaining Ring
48-5	72400-504	2	Spring Retainer
48-6	17073-14	1	Spool Centering Spring
48-7	72400-544	1	Valve Spool - Wide Band Neutral
48-8	102149-019	1	Set Screw
48-9	72400-502	1	Feedback Link
48-10	72400-508	1	Dowel Pin
48-11	16124-15	1	Retaining Ring
48-12	72400-519	1	Bell Crank
48-13	16139-304	1	Set Screw
48-14	72400-505	1	Input Shaft
+ 48-15	16003-5	1	O-ring
+ 48-16	16074-106	1	Wiper Seal
48-17	72400-520	1	Headed Pin (press fit)
+ 48-18	16003-6	2	O-ring
48-19	72420-AE	1	Destroke Valve Assy.
48-19-1	72400-719	1	Manifold
48-19-2	72400-521	1	Destroke Valve - w/12 VDC coil, Weatherpak Conn.
+ 48-19-2A	16133-10	1	O-ring
+ 48-19-2B	16101-102	2	Back-up Washer
+ 48-19-2C	16015-2	1	O-ring
48-20	16045-103	2	Lock Washer
48-21	16148-315	2	Cap Screw
+ 48-22	16133-8	1	O-ring
48-23	72400-722	1	Adapter Assy, Neutral Lockout
48-24	16006-6	1	Ball
+ 48-25	16003-589	1	O-ring
48-26	72400-725	1	Pin
48-27	102149-019	1	#10-32, Set Screw
48-28	109791-001	1	Neutral Lockout Switch Assy.

72401-AS

Item	Part No.	Qty	Description
48	72401-AS		Assembly with Neutral Lockout & Wide Band Neutral
48-1	72319-002	1	Control Housing
48-2	72400-507	1	Plug
+ 48-3	16015-8	1	O-ring
48-4	16124-31	1	Retaining Ring
48-5	72400-504	2	Spring Retainer
48-6	17073-14	1	Spool Centering Spring
48-7	72400-544	1	Valve Spool - Wide Band Neutral
48-8	102149-019	1	Set Screw
48-9	72400-502	1	Feedback Link
48-10	72400-508	1	Dowel Pin
48-11	16124-15	1	Retaining Ring
48-12	72400-519	1	Bell Crank
48-13	16139-304	1	Set Screw
48-14	72400-505	1	Input Shaft
+ 48-15	16003-5	1	O-ring
+ 48-16	16074-106	1	Wiper Seal
48-17	72400-520	1	Headed Pin (press fit)
+ 48-22	16133-8	1	O-ring
48-23	72400-722	1	Adapter Assy., Neutral Lockout
48-24	16006-6	1	Ball
+ 48-25	16003-500	1	O-ring
48-26	72400-546	1	Pin
48-27	102149-019	1	#10-32, Set Screw
48-28	109791-001	1	Neutral Lockout Switch Assy.

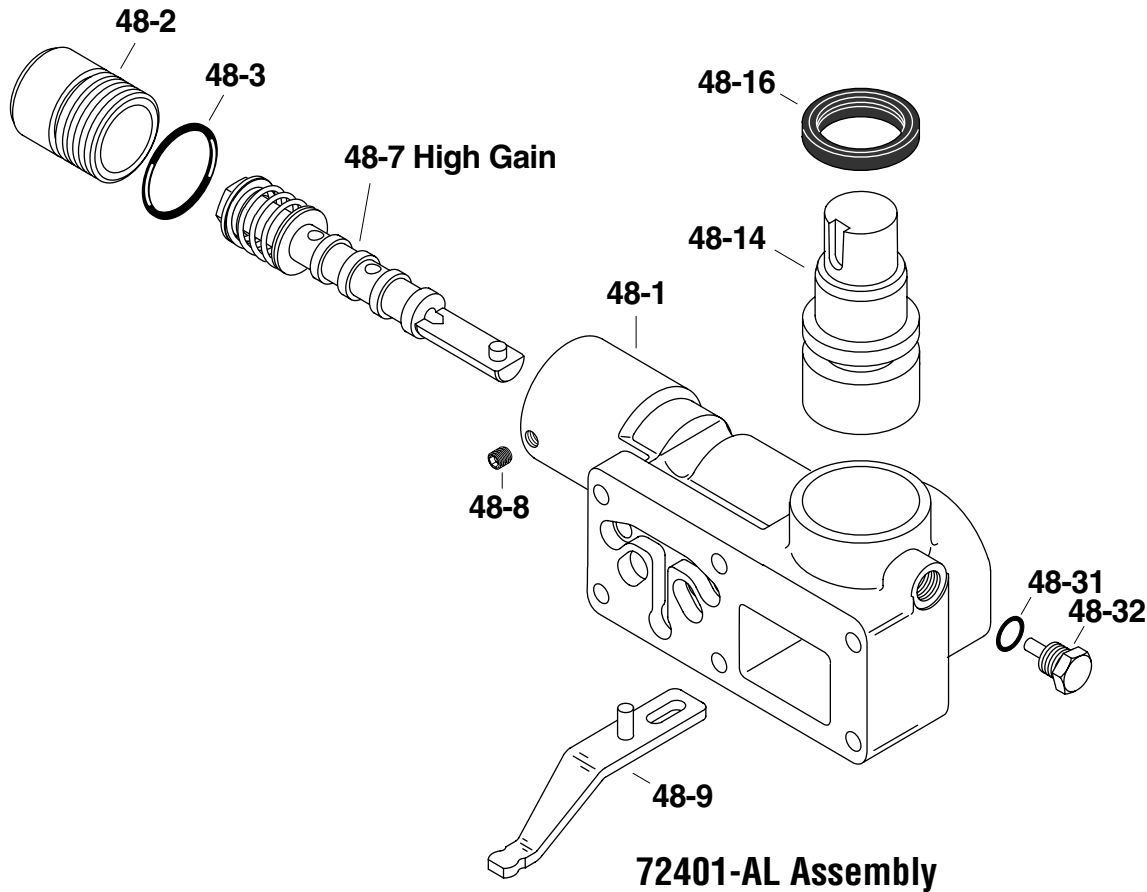
Item 48 -

High - Gain Servo Control Assembly - Parts List

72401-AL

Item	Part No.	Qty	Description
48	72401-AL		Assembly with High Gain Servo Control
48-1	72401-500	1	Control Housing
48-2	72401-505	1	Plug
+ 48-3	16015-8	1	O-ring
48-7	72401-515	1	Valve Spool - High Gain
48-8	102149-019	1	Set Screw
48-9	72401-508	1	Feedback Link Weldment
48-14	72401-502	1	Input Control Shaft
+ 48-15	72401-503	1	Wiper Seal
+ 48-31	16133-2	1	O-ring
48-32	72401-506	1	Plug

+ Included in Seal Repair Kit 72400-915



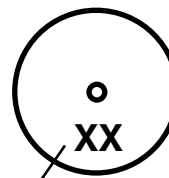
Item 51, 52, or 53 -

Orifice Sizes Available

Item 51,52, or 53

Orifice Sizes Available

Part Number	Hole Dia. mm [inches]
101619-021	0,53 [.021]
101619-028	0,71 [.028]
101619-036	0,91 [.036]
101619-040	1,02 [.040]
101619-044	1,12 [.044]
101619-048	1,22 [.048]
101619-052	1,32 [.052]
101619-057	1,45 [.057]
101619-065	1,65 [.065]
101619-073	1,85 [.073]
101619-094	2,38 [.094]
101619-102	2,59 [.102]



Last two digits
of dash number
stamped on face
of orifice.

Notes: _____

Notes:

Eaton
14615 Lone Oak Road
Eden Prairie, MN 55344
USA
Tel: 952 937-9800
Fax: 952 974-7722
www.hydraulics.eaton.com

Eaton
20 Rosamond Road
Footscray
Victoria 3011
Australia
Tel: (61) 3 9319 8222
Fax: (61) 3 9318 5714

Eaton
Dr.-Reckeweg-Str. 1
D-76532 Baden-Baden
Germany
Tel: (49) 7221 682-0
Fax: (49) 7221 682-788



Hydraulics

© 2004 Eaton Corporation
All Rights Reserved
Printed in USA
Document No. E-PUPI-TP004-E
June 2004