

**EAT•N** | **Vickers**

## Filtration Master Catalog

Technical Catalog



**Fluid Analysis**



<b>Fluid Analysis</b>	<b>11</b>
-----------------------	-----------

**Particle Counter**



<b>Target Pro 2 Particle Counter</b>	<b>14</b>
--------------------------------------	-----------

**Breathers**



<b>BR110 Breather</b>	<b>17</b>
Filters out moisture and particles from incoming air	



<b>BR210 Breather</b>	<b>17</b>
Filters out particles from incoming air	



<b>MBR110 and MBR120 Breathers</b>	<b>17</b>
Filters out moisture and particles, ideal for mobile applications	

**Return Line Filters**



<b>HV3R Series Return Line</b>	<b>21</b>
Flows to: 280 L/min (75 USgpm)	
Pressures to: 50 bar (725 psi)	
Elements: V3R...series	<b>22</b>



<b>HV6R Series Return Line</b>	<b>24</b>
Flows to: 1,700 L/min (450 USgpm)	
Pressures to: 25 bar (350 psi)	
Elements: V041...series	<b>25</b>



<b>HV6RD Series Duplex Return Line</b>	<b>27</b>
Flows to: 1700 L/min (450 USgpm)	
Pressures to: 25 bar (350 psi)	
Elements: V301...series	<b>28</b>



<b>OFR 30 Series In Line</b>	<b>31</b>
Flows to: 114 L/min (30 USgpm)	
Pressures to: 27,6 bar (400 psi)	
Elements: V602...series	<b>32</b>



<b>OFR 60/120 Series In Line</b>	<b>34</b>
Flows to: 450 L/min (120 USgpm)	
Pressures to: 27,6 bar (400 psi)	
Elements: V405...series	<b>35</b>



<b>DLR DIN Series Return Line</b>	<b>37</b>
Flows to: 400 L/min (105 USgpm)	
Pressures to: 25 bar (350 psi)	
Elements: VDP...series	<b>38</b>



<b>LND Series Duplex</b>	<b>40</b>
Flows to: 400 L/min (105 USgpm)	
Pressures to: 25 bar (360 psi)	
Elements: VDP...series	<b>41</b>

**In-tank Filters**



<b>OFMT Series In Tank</b>	<b>45</b>
Flows to: 50 L/min (13 USgpm)	
Pressures to: 7 bar (100 psi)	
Elements: OFMT020 = FM020	<b>46</b>
OFMT100 = FM100	<b>48</b>



<b>OFRT Series In Tank</b>	<b>51</b>
Flows to: 1500 L/min (400 USgpm)	
Pressures to: 10 bar (150 psi)	
Elements: OFRT100 = FT100	<b>52</b>
OFRT250 = FT250	<b>54</b>
OFRT630 = FT630	<b>57</b>
OFRT850 = FT850	<b>60</b>



<b>ORFM Series In Tank</b>	<b>63</b>
Flows to: 851 L/min (225 USgpm)	
Pressures to: 10 bar (145 psi)	
Elements: V209...series	<b>64</b>



<b>ORF 1300 Series In Tank</b>	<b>69</b>
Flows to: 1300 L/min (343 USgpm)	
Pressures to: 25 bar (360psi)	
Elements: V209...series	<b>70</b>



<b>DRT DIN In Tank</b>	<b>72</b>
Flows to: 630 L/min (160 USgpm)	
Pressures to: 10 bar (150 psi)	
Elements: VDT...series	<b>73</b>



<b>HF4RT Series In Tank</b>	<b>77</b>
Flows to: 568 L/min (150 USgpm)	
Pressures to: 7 bar (100 psi)	
Elements: V405...series	<b>78</b>

**Suction Strainers**



<b>OSS Suction Strainers</b>	<b>80</b>
Flows to: 380 L/min (100 USgpm)	



<b>OTM Tank Mounted Strainers</b>	<b>82</b>
Flows to: 380 L/min (100 USgpm)	



<b>F Series Inlet Strainers</b>	<b>84</b>
Flows to: 380 L/min (100 USgpm)	

**Spin-on Filters**




<b>OFRS 15 Series Spin-on</b>	<b>88</b>
Flows to: 60 L/min (15 USgpm)	
Pressures to: 7 bar (100 psi)	
Elements: V019...series	<b>89</b>





<b>OFRS 25 Series Spin-on</b>	<b>91</b>
Flows to: 95 L/min (25 USgpm)	
Pressures to: 7 bar (100 psi)	
Elements: V019...series	<b>92</b>



<b>OFSS30 Series Spin-on</b>	<b>94</b>
Flows to: 115 L/min (30 USgpm)	
Pressures to: 10 bar (150 psi)	
Elements: V176 ...series	<b>94</b>


MODEL	PAGE
 <b>OFRP35 Series Spin-on</b>	97
Flows to: 130 L/min (35 USgpm) Pressures to: 35 bar (500 psi) Elements: V031...series	98


 <b>OFRS 60 Series Spin-on</b>	100
Flows to: 225 L/min (60 USgpm) Pressures to: 7 bar (100 psi) Elements: V021...series	101


 <b>HS22 Series Twin Spin-on</b>	104
Flows to: 450 L/min (120 USgpm) Pressures to: 14 bar (200 psi) Elements: V021...series	105


### Pressure Filters


 <b>ECF Series Pressure</b>	108
Flows to: 19 L/min (5 USgpm) Pressures to: 207 bar (3,000 psi)	


 <b>LV2P Series Pressure</b>	110
Flows to: 110 L/min (29 USgpm) Pressures to: 100 bar (1,500 psi) Elements: V051...series	111


 <b>LV4P Series Pressure</b>	113
Flows to: 110 L/min (29 USgpm) Pressures to: 100 bar (1,500 psi) Elements: V051...series	114


 <b>HF2P Series In Line and Subplate</b>	116
Flows to: 90 L/min (24 USgpm) Pressures to: 280 bar (4,000 psi) Elements: V304...series	117


 <b>MF2P Series Pressure</b>	119
Flows to: 113.5 L/min (30 USgpm) Pressures to: 275.5 bar (4,000 psi) Elements: V051...series	120


 <b>OFPH003/005 Series Pressure</b>	122
Flows up to: 53 L/min (14 USgpm) Pressures to: 310 bar (4,500 psi) Elements: OFPH31 = V0603	123
OFPH51 = V0604	123
OFPH52 = V0114	123

 <b>HF4P Series In Line and Subplate</b>	125
Flows to: 570 L/min (150 USgpm) Pressures to: 345 bar (5,000 psi) Elements: V405...series	126


 <b>HF3P Series In Line</b>	128
Flows to: 454 L/min (120 USgpm) Pressures to: 420 bar (6,000 psi) Elements: V602...series	129

 <b>HF3PS Series Side Mount</b>	131
Flows to: 565 L/min (150 USgpm) Pressures to: 310 bar (4,500 psi) Elements: V602...series	132


MODEL	PAGE
 <b>DMP DIN Series Pressure</b>	134
Flows to: 100 L/min (25 USgpm) Pressures to: 100 bar (1,500 psi) Elements: VDP...series	135

 <b>DHP DIN Series Pressure</b>	137
Flows to: 400 L/min (106 USgpm) Pressures to: 400 bar (5,800 psi) Elements: VDP...series	141

### Off-Line Filters

 <b>EPHHF Eaton Portable Handheld Filter</b>	143
Flows to: 15 L/min (4 USgpm) Pressures to: 3.5 bar (50 psi) Elements: V021...series	105

 <b>CCOFRS60 Clean Cart</b>	144
Flows to: 38 L/min (10 USgpm) Pressures to: 4 bar (65 psi) Elements: V021...series	105

 <b>OLF15V Series Off-Line Filter</b>	145
Flows to: 19 L/min (5 USgpm) Pressures to: 3 bar (45 psi) Elements: V15BM...series	145

### Accessories

<b>Fluid Sampling</b>	147
<b>Differential Indicators</b>	147
<b>Indicator Switch Schematics</b>	149
<b>Electrical Pressure Switch</b>	151
<b>Gauge</b>	152
<b>Mounting Bracket</b>	152
<b>Welding Flange</b>	153
<b>Seal Kits</b>	153

# Introduction to Eaton Filtration

Fluid Power is one of the most reliable and repeatable forms of power and motion control. When problems are encountered, 80% of the time they are related to inadequate contamination control practices. Eaton has more than a 75-year history of dedication to helping engineers develop, operate and maintain reliable, high quality power and motion control systems.



For a hydraulic or oil lubricated machine, the development of a target cleanliness level and the plan to achieve it is as much a part of system design as the selection of the pump, valves, actuators or bearings.

**Vickers Systemic Approach to Contamination Control**

- Set a target Cleanliness Level
- Select filters and filter placements to achieve target
- Sample fluid and confirm achievement

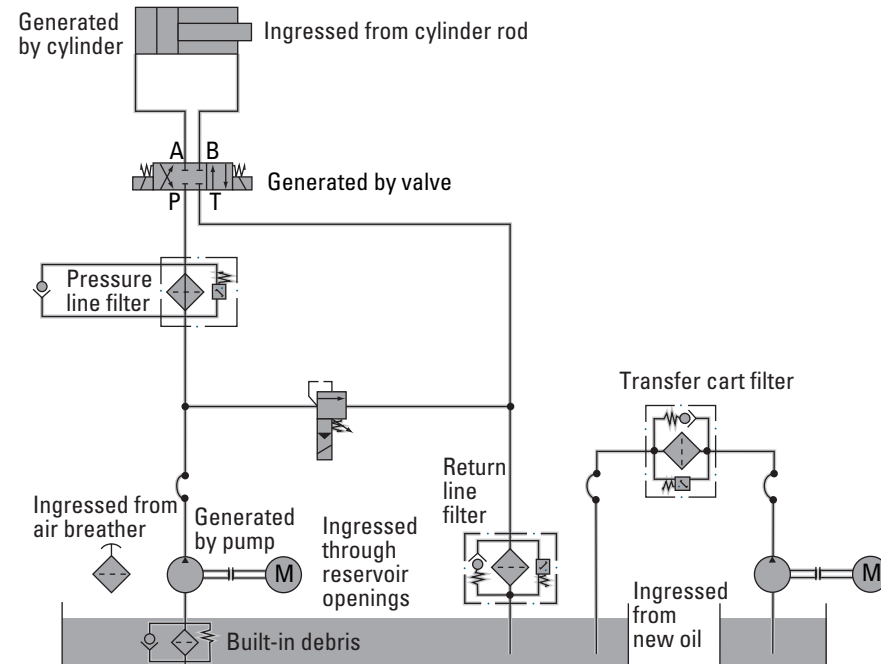
The systemic contamination control approach assures the user of the hydraulic system a cost effective approach to contamination control that allows the price of the filters and elements to be quickly recovered by the savings of improved performance, increased component life, increased oil life, increased uptime and fewer repairs.

The goal of systemic contamination control is always the same: to clean the fluid to the point that contamination is not a factor in the failure (catastrophic, intermittent, or degradation) of any component in the system during the desired useful life of that system.

The first step towards this goal is the setting of a target cleanliness level that takes into account the specific needs of the system.

## Sources of Contamination

Eaton doc. 561, page 8



Once the target has been set, the next step is to select and position filters in the system so that the target can be achieved in a cost effective manner.

After the machine is in operation, the last and ongoing step is to confirm that the target cleanliness level is being maintained.

This is most often accomplished by sending a fluid sample to a particle counting laboratory that gives cleanliness code data to established standards. If the target is being met, the system only needs to have filters maintained and the fluid retested periodically. If the cleanliness target is not being achieved, corrective actions need to be taken. Sometimes a change in maintenance practices is needed, but at other times a shift to a finer grade of filter elements or additional filter housings may be needed.

There are four primary sources for solid contamination to enter a hydraulic fluid.

They are: contaminated new oil, built-in contamination, ingressed contamination and internally-generated contamination.



Eaton Fluid Analysis Service PN 894276



# Introduction to Eaton Filtration

## Contaminated New Oil

Although hydraulic and lubrication fluids are refined and blended under relatively clean conditions, the fluid travels through many hoses and pipes before it is stored in drums or in a bulk tank at the user's facility. At this point, the fluid is no longer clean as the fluid lines it has traveled through have contributed metal and rubber particles, and the drums have added flakes of metal or scale. Storage tanks are a real problem because water condenses in them causing rust particles. Contamination from the atmosphere can



Eaton Clean Cart

also find its way into the tank unless satisfactory air breathers are fitted.

If the fluid is stored under reasonable conditions, the principal contaminants on delivery to the machine will

be metal, silica and fibers. With fluids from reputable suppliers, sampling has shown typical Cleanliness Levels of 17/16/14 or dirtier. Using a portable transfer cart fitted with a high efficiency filter, contamination should be removed from new fluids before the contamination enters and damages the components in the system.

## Built-in Contamination

New machinery always contains a certain amount of built-in contamination. Care in system assembly and in new component flushing reduces this but never eliminates it. Typical built-in



Eaton H2O Gate Reservoir Breather BR110

contaminants are burrs, chips, flash, dirt, dust, fiber, sand, moisture, pipe sealant, weld splatter, paint and flushing solution.

## Ingressed Contamination

Contamination from the immediate surroundings can be ingressed into the fluid power or lubrication system. On large installations, such as those within steelworks or automotive plants, it is relatively easy to know the environmental conditions, though they vary considerably. For example, a coke oven system operates in conditions very different from a similar system in a cold mill. For mobile equipment, there is a very wide variation in environmental conditions by application, location and even by weather conditions (i.e. high winds).

The key is to severely limit the access that environmental contamination has to enter the hydraulic or lubrication system. There are four major ways dirt can enter a system: reservoir vent ports (breathers), power unit or system access plates, components left open during maintenance and cylinder seals.

## Generated Contamination

The most dangerous contamination to a system is the contamination generated by the system itself. These particles are "work hardened" to a greater hardness than the surface from which they came, and are very aggressive in causing further wear in the system. In a system running on properly cleaned fluid very few particles are generated, although all components (especially pumps) create a small amount of particles during routine operation. In a system where these particles are not quickly captured the elevated contamination levels will cause the number of additional generated particles to increase at a highly accelerated rate! The best way to prevent contamination generation within a system is to start with a clean (fully flushed) system and keep the system fluid clean.

# Introduction to Eaton Filtration

## Filter Element Initial Efficiency

The international standard for rating the efficiency of a hydraulic or lubrication filter is the Multipass Filter Performance Beta Test (ISO 16889). The results of this test are reported as a ratio of number of particles greater than a designated size upstream of the test filter compared with the number of same size particles downstream of the test filter. These results are then expressed as a Beta ratio. Most Eaton™ filters are rated at Beta x(c)=1000. See individual filter “Features and Benefits” for more detail.

### BETA RATIOS AND CORRESPONDING EFFICIENCIES

Beta Ratios	Efficiency
1	0%
2	50.00%
5	80.00%
10	90.00%
20	95.00%
75	98.00%
100	99.00%
200	99.50%
1000	99.90%
5000	99.98%

Beta ratios and dirt capacity are only a guide to system cleanliness needs ref. Eaton doc. 561, page 19

Multipass testing has greatly aided engineers in the development of better and more efficient filter elements, and it has helped the design engineer who needed to specify a filter element’s performance. But, there’s little correlation between multipass efficiencies and system cleanliness needs. In the final performance analysis, the goal is properly cleaned fluid and not just very high

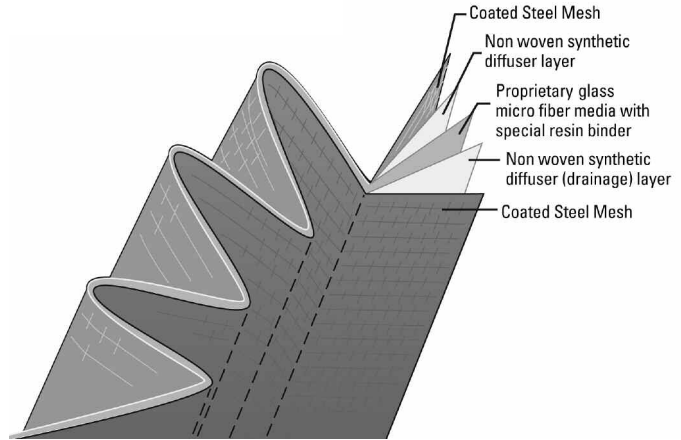
Beta ratios and dirt capacity. The most important information needed by a designer or user of a hydraulic system is the system cleanliness they can expect when that filter and media are properly installed in the system.

Each grade of Eaton high efficiency filter media construction is thoroughly multipass tested and then rated with the system cleanliness level expected to be achieved with the use of that product. The assumptions behind these cleanliness ratings are: 1) the filter sees full system flow, 2) the filter is the primary filter in the system, and 3) air breathers along with recognized maintenance practices will limit dirt ingress from the atmosphere.

A major problem in correlating multipass test claims to real world fluid cleanliness levels is that real systems operation greatly stresses the element. In active systems, flow rate changes (often several times a minute), pressure pulses (hundreds a minute), decompression shock waves, cold starts and other variables all work to degrade a filter’s performance. In multipass testing the element is subject to one gradual rise in differential pressure as the element loads!

Flow fatigue test protocol (ISO 3724) leaves many important questions unanswered. Again the element is tested in laboratory conditions that cannot duplicate the interaction of the many forces working to stress and degrade the element. This laboratory test

## Eaton Media Construction



may fail to answer the question of how an aged element will perform during the latter part of its service life.

The best way to deal with this issue is to look at the construction and feel the element pleats. Are the pleats well supported? Do they flex under hand pressure? Any element that fails these simple tests will fail to maintain efficiency and integrity, and will not maintain the targeted cleanliness level.

Additionally, look at the pack construction. Steel wire mesh is very important in element construction. Wire keeps the pleats from flexing

and gives the filter medium the support it needs to keep from failing due to fatigue. The downstream wire mesh also serves as a last chance protection in case of unexpectedly severe stress that causes element media rupture.

### Filter Condition Indicators

After the filters are placed within the system, the next consideration is how the user is going to know when to change the element. The answer recommended in DIN 24550 standard is to have all filters fitted with a differential pressure indicator that gives an easy-to-read indication that the element needs to be changed. Eaton

### LIMITS ON CORRELATION BETWEEN “BETA” AND SYSTEM CLEANLINESS AND “DIRT CAPACITY” AND SERVICE LIFE

	Laboratory Procedure	Real World
Pressure Rise	One gradual rise	Thousands of changes
Fatigue Cycles	One	Millions
Element Aging	Minutes	Months
Element Life	One hour	800+ hours
Contaminant	AC fine test dust	Debris, water, gas
Challenge Rate	Constant	Always changing
Fluid Used	MIL 5606	Wide variety
Temperature	100°F (38°C)	-20°F to 200°F (-7° to 93°C)
Flow	Steady	Thousands of changes

# Introduction to Eaton Filtration

indicators are designed to indicate at a pressure drop 20% below the bypass setting which equates to 95% of the element's service life. This indication before bypass feature was incorporated to allow safe operation of the machine until the next shift change or convenient maintenance opportunity.

## Element Service Life

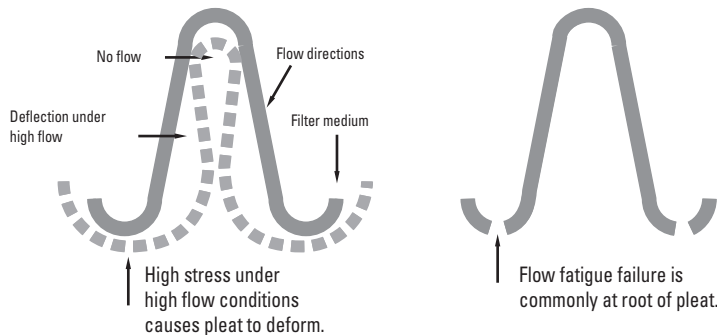
As in any aspect of machine design or maintenance, cost of installation and operation are very important concerns. For filters, the length of time an element lasts in service and the initial cost of that element, combine to determine the economics of using that product.

The most important aspect of gaining long element service life is to minimize the ingress! Reservoirs need to be fitted with vent filters (=3µm) that remove the dirt before it enters the system. Access port and doors need to be kept sealed so that dirt cannot be drawn into the system. Cylinder rods that extend into contamination laden environments should be shielded to minimize the dirt being drawn into the system.

The second important aspect to long element service life is to keep the cleanliness level of the fluid at or below target. Periods of machine operation with dirty fluid cause accelerated internal wear that loads a filter element. (It's important the debris is caught as it saves the system, but it does cost the element part of its service life.) Always change an element on indication and

In poorly supported elements, changes in flow and pressure drop cause the sides of element corrugations to flex and the root to stretch, giving rise to fatigue stresses. Dirt capacity is also lost as areas of the medium have no flow.

Eaton doc. 561, page 21



always use genuine Eaton elements because of their consistent performance and superior strength under stress.

The third issue in long element service life is the "dirt capacity" of the element. This value is calculated as part of the multipass efficiency test. Because of the many differences between the test conditions and real system operation, different dirt capacity values do not correlate well to changes in element service life. Dirt capacity can only be used to compare elements under very specific laboratory situations, and as a result published dirt capacity values should be used as general information rather than specific comparable data.

Eaton elements are designed to give long life and reliable service in hydraulic or lubrication applications. This is achieved with our multi-layer construction. Each layer provides additional strength or capacity leading to overall superior performance. Some elements focus heavily on

media structure only, which can give increased "dirt capacity" under laboratory conditions, but no increase in service life is experienced in real systems.

An often overlooked aspect of dirt capacity and service life is the effect of element area. When comparing an element of "x" area with an element of "2x" area, one would expect twice the life for the larger element. But, in real systems, the life extension is most often between 2.5 and 3.5 times as long. This is because the reduced flow density through a unit area of media allows for more effective contaminant capture. Larger elements are the most cost effective approach to contamination control from the perspective of operating costs.

# Guide for Selecting Filters

## Target Cleanlines

Using the Vickers Target Cleanliness Worksheet (#578), it is easy to determine the target ISO Cleanliness Level for a system. This target is based on the application's components and system dynamics.

## Placement and Media

Use the chart below to help select the appropriate filter placement and grade of media to achieve the target cleanliness level. For more detail, consult the Eaton Guide to Systemic Contaminaton Control, your Vickers representative, or the ANSI System Standards for Stationary Industrial Machinery.

## Filter Placement

The chart below helps engineers select the grade of Vickers media and the filter placement(s) that will achieve the required target cleanliness. It assumes the system will experience "average" ingresson and

that maintenance of the system will be consistent with current technology.

If in operation the system is running dirtier than expected, corrective actions should be initiated. Suggested corrective actions are:

- Check the indicator to see if the filters are on by-pass.
- Check the sources of ingresson and correct problems.
- Check that the filters are positioned properly to see maximum fluid flow.
- Consider using a finer Pak grade
- Add additional filters to the system.

**Note:** All systems need a sealed reservoir with vent port filtration.

## CAUTION



Before servicing the element, the bleed plug in filter housing must be loosened to relieve pressure. This will minimize fluid overflow.

## Housing

The selected housing should be rated within the required flow and pressures of the application.

Important: If the system fluid's specific gravity (SG) is greater than 0.9 (for example, water glycol), the housing pressure drop ( $\Delta P$ ) should be corrected for actual application.

## Specific Gravity Corrections for Pressure Drops

The filter housing flow curves in this catalog can be adjusted using the following equation:

$$\text{Adjusted } \Delta P_{\text{Housing}} = \Delta P_{\text{Curve}} \times \text{Actual SG} \div 0.9$$

## Bypass Valve

Bypass valve selection is based upon system requirements. According to ANSI Standard 12.2.6, filter assemblies whose elements cannot withstand full system differential pressure without damage should be equipped with bypass valves. Generally, a higher bypass pressure setting will allow

for longer element life.

Some systems require filtration with no bypass, such as servo applications. Vickers H-Pak media is recommended for non-bypass systems.

## Indicator

To meet ANSI Standard 12.2.5, filter assemblies should have a device to indicate when the filter requires servicing. Per ANSI Standard 12.2.6, the indicator should "trip" at approximately 80% of the bypass pressure setting. If using a non-bypass housing, an indicator setting of approximately 100 psid is recommended. Differential pressure indicators are rated 6,000 psi working, 3,500 psi fatigue.  $\Delta$

TARGET CLEANLINESS		RECOMMENDED FILTER PLACEMENT FOR HIGH INGRESSION SYSTEMS WITH FIXED VOLUME PUMPS.	RECOMMENDED FILTER PLACEMENT FOR SYSTEMS WITH VARIABLE VOLUME PUMPS.	RECOMMENDED FILTER PLACEMENT FOR HIGH INGRESSION SYSTEMS WITH VARIABLE VOLUME PUMPS.		
	Full flow pressure line or return line	Full flow pressure line or return line	Pressure line/ recirculating loop at 20% of system volume per minute	Pressure line plus return line plus recirculating loop	Recirculating loop at 20% of system volume per minute	Recirculating loop at 10% of system volume per minute
14/12/10	-	03	03	03	-	-
15/13/11	-	03	03	05	-	-
16/14/12	03	05	05	05 or 10	03	03
17/15/13	03	05	05	05 or 10	03	03
18/16/14	05	10	05 or 10	10	05	03
16/14/10	05 or 10	10	10	10	05 or 10	05



# Guide for Selecting Filters

## Surge Control

Surge Control is used on systems where spikes and surges in the hydraulic system could prematurely trip the indicator. Surge controls slow the indicator response. If the indicator encounters a continuous high differential pressure, it will trip at the rated setting.

## Element

The Vickers element media grade should be selected to achieve the Target Cleanliness Level. The Vickers media construction should be chosen based upon system requirements such as flow characteristics, pressure surges and specific application conditions.

Important: If the system fluid's specific gravity (SG) is greater than 0.9 (for example, water glycol), the element pressure drop ( $\Delta P$ ) should be corrected.

## H-Pak Construction

For systems where a bypass valve is undesirable, such as servo systems, the H-Pak media provides high collapse rated housing pressures. H-Pak media construction utilizes 304 stainless steel inner and outer mesh support along with heavier core tubes and media support to protect the system.

## C-Pak Construction

C-Pak media uses five layer construction. C-Pak incorporates epoxy coated carbon steel as the two outer face layers to retain the inner media pak layers.

## R-Pak Construction

The R-Pak spin-on filter elements are designed for low clean pressure drop and high efficiency. R-Pak incorporates a five layer media construction with outer layers of epoxy coated carbon steel wire to retain the inner media pak layers.

## L-Pak Construction

The L-Pak is specially designed for lubrication applications. Using the same five layer construction as the C-Pak, the L-Pak also has a deep pleat construction to maximize element life in steady flow, low pulsation systems.

## Viscosity Corrections for Pressure Drops

The element flow curves can be adjusted using the following equations:

Adjusted Clean  $\Delta P_{\text{Element}} =$

Actual viscosity in cP  $\div 29 \times \Delta P_{\text{Curve}}$

Actual viscosity in cSt/32  $\times$  Actual SG  $\div 0.9 \times \Delta P_{\text{Curve}}$

Actual viscosity in SUS/150  $\times$  Actual SG  $\div 0.9 \times \Delta P_{\text{Curve}}$

A good "rule of thumb". To ensure satisfactory element life, the clean element pressure drop should generally be less than or equal to 40 percent of the indicator's rated differential pressure:

$\Delta P_{\text{Element}} = 0.4 \times \Delta P_{\text{Indicator}}$

The best way to extend element service life is to minimize ingress (vents, seals, cylinder rods) and maintain system cleanliness at or below the Target Cleanliness Level.

# Eaton Fluid Power Training

## Learn from the Hydraulics Experts!

*Knowledge is power. And nowhere can your team strengthen its knowledge more effectively than through lessons learned in courses offered by Eaton Fluid Power Training.*

Participants in Eaton Fluid Power Training courses can save their company significant money by reducing unplanned downtime and maximizing the effectiveness of planned downtime. Each year more than 2,500 people attend training courses at Eaton training facilities in Eden Prairie, Minnesota, and Maumee, Ohio.

### **Systemic Contamination Control**

Among Eaton Fluid Power Training's most beneficial courses is *Systemic Contamination Control*. This two-day course covers the fundamentals of systemic contamination control, including why contaminated oil can significantly reduce the service life of components in a hydraulic system and how keeping systems clean can result in significant savings by reducing downtime due to premature component failures. Also covered are contamination control requirements of hydraulic systems, enabling participants to properly design, maintain and purchase hydraulic systems and components. The course includes hands-on sampling and draw-down testing of fluid samples.

Specific topics covered in Eaton's *Systemic Contamination Control* course include:



Participants in Eaton's Systemic Contamination Control course learn how to determine the cleanliness of a hydraulic system using the Eaton Target-Pro portable particle counter.

- **Fluid characteristics**  
Purposes and properties of hydraulic fluid, types of fluid and fluid failures
- **Contamination control**  
Critical clearances in components, fluid testing methods, filter ratings, beta ratios, media construction and breakdown, Delta P indicators, filter selection and fluid sampling methods
- **Particle count methodology**  
Eaton Target-Pro® portable particle counter and Eaton Fluid Analysis Kits, which rate a system's cleanliness through detailed laboratory testing

Maintenance, sales and design personnel will benefit from the course that is offered at Eaton Fluid Power Training facilities, as well as at Eaton distributor and customer locations. For a complete course description, visit [www.eatonhydraulics.com/training](http://www.eatonhydraulics.com/training).

To contract the services of Eaton Fluid Power Training, call 1-800-413-8809.

# Fluid Analysis

## Eaton Fluid Analysis Service

Eaton hydraulic components have a global reputation for quality, reliability and performance. That reputation is built on a tradition of customer service and we stand behind every one of our products.

Our Fluid Analysis Service follows that same tradition. We provide our customers with comprehensive fluid testing and diagnostic services, with detailed reports that are easy to understand.

To find out how the Eaton Fluid Analysis Service can help your operation, read on.

Then call us to get started.



## A Name You Trust

Only one fluid analysis lab lets you put years of Eaton experience to work for you. So when the health of your hydraulic system is at stake, choose a partner with more than 75 years of experience. Contact your Eaton representative for more information on our Fluid Analysis Service.

## Comprehensive Testing

The Eaton Fluid Analysis Service is certified to ISO 12025 and offers a full range of tests specifically designed for the analysis of hydraulic and lubrication system fluid. Our laboratory equipment and test procedures provide an exact analysis of your hydraulic or oil lubricated system, and our drawdown particle isolation procedure ensures accurate results.

### Our testing procedures can include:

**Photomicrography:** We scan and photograph a filter patch using an optical microscope to find particle size and type. The scanning process verifies the automatic particle count to identify samples needing special preparation. This provides confirmation of automatic counter results, and helps us see what contaminants are in the fluid.

### Viscosity (ASTM D445):

We use this test to determine the viscosity of your oil. Without proper hydraulic fluid viscosity, your equipment will suffer. Incorrect viscosity leads to fluid breakdown, inefficient equipment operation, premature system failure and damage to other components.



### Water (ASTM E203):

We determine the water content in hydraulic fluid, which helps us predict quality and performance characteristics for the fluid and system components. Excess water reduces the viscosity of hydraulic fluid, which increases the likelihood of adverse chemical reactions

## Critical Analysis

Fluid is the lifeblood of every hydraulic power system. To keep yours running efficiently and effectively, you need to know what's in it. What you don't know can hurt you.

The Eaton Fluid Analysis Service analyzes hydraulic fluid in much the same way a medical lab tests a blood sample. Just as a blood test helps a doctor diagnose health problems, a sample of hydraulic fluid can help us pinpoint sources of contamination and determine whether or not your system uses adequate filtration.

We can help you reduce catastrophic equipment failures, maintain optimum component performance, and identify any substandard maintenance practices. Your bottom-line benefit is increased productivity.

and degrades equipment performance.

### Drawdown Particle Isolation:

Using this test, we determine the insoluble contaminants in hydraulic fluids, both insoluble particles and gel-like matter, organics and inorganics. Used in conjunction with photomicrography, the drawdown patch helps us identify the source and type of fluid contaminants.

### Automatic Particle Count (ISO 11500):

We use a high-intensity laser light source and a photo sensor to count the number and size of particles in the fluid sample and then define contaminants according to size distribution and quantities. Automatic particle counting is quick, repeatable and accurate. It provides reliable information we can use to check against ISO Standard 4406, which defines the relationship between particle counts and hydraulic fluid cleanliness. This lets us determine exactly what corrective actions,

## Clear Benefits

We offer testing designed to tell you the most about your hydraulic fluid. We use sophisticated computer programs and laboratory diagnostic equipment such as an Energy Dispersive X-ray Fluorescence and an inductively coupled plasma spectrophotometer.

After we use this advanced equipment to provide the most detailed possible analysis of your hydraulic fluid, we create reports that are always easy to read and understand. By taking the mystery out of fluid analysis, we provide a service that clearly explains the benefits of clean fluid.

if any, are needed. The lab is also capable of testing to the new ISO 4406(1999) standard (4 $\mu$ , 6 $\mu$ , 14 $\mu$ ).

### Spectrometric Analysis (ASTM D 5185):

This shows us the concentration of oil-soluble elements and indicates the additives and trace metal content in the fluids. We use this technique to evaluate the condition of the additives in a fluid rather than its particulate contamination. Used in conjunction with automatic particle counting, it helps us accurately assess the cleanliness level of the fluid.

### Energy Dispersive X-ray Fluorescence (ASTM E 1508):

We perform Energy Dispersive X-ray Fluorescence (XRF) analysis on samples with extremely high concentrations of particulate contamination. By isolating chemical elements, we pinpoint contaminant types so we can establish their origins, and so you can take corrective action.

# Fluid Analysis

## Easy-to-Read Reports

We present your fluid test results in a format that is easy to understand. Results typically include these items:



Vacuum Pump PN 894279

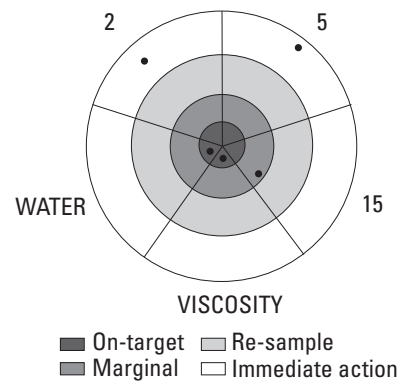
**1. Results Target:** A results target compares your actual fluid cleanliness results and your ideal cleanliness level. If you don't have a target level yet, we can use your sample to help you determine what it should be.

**2. Trend Information:** We evaluate data from your previous two samples along with the results of your current sample. This provides a trend analysis of critical measurements, and shows changes in the fluid over time.

**pH (ASTM E 70)** represents the strength of acidity in hydraulic fluid, and is usually measured for water-containing hydraulic fluids (water/glycols, invert emulsions). Typical values are 8.5–10.5.

Total Acid Number, or **TAN (ASTM D 974)**, is the amount of acid and acid-acting material constituents in hydraulic fluid. An increase in TAN indicates oxidation or acid contamination. Some hydraulic fluids exhibit higher acid numbers than others. Typical values are 0.1–3.0.

## Fluid Test Results



Time	TEST 1 Present	TEST 2 Previous #1	TEST 3 Previous #2
<b>Viscosity @ 100°F cSt (SUS)</b>	45.0 (210)	45.5 (212)	45.8 (213)
<b>Water % Weight</b>	0.03%	0.03%	0.03%
<b>pH</b>	9.4	9.5	9.6
<small>Note: pH is for water containing fluids only.</small>			
<b>TAN mg KOH/gm</b>	2.1	2.0	2.1
<small>Note: TAN is for synthetic fluids only.</small>			

## Particle Count Summary

Time	TEST 1 Present	TEST 2 Previous #1	TEST 3 Previous #2
>2µ	65,120	4,100	418
>5µ	12,220	1,250	88
>10µ	5,800	700	39
>15µ	900	250	22
>25µ	125	60	4
>50µ	12.0	5.0	1.0
<b>Cleanliness Code</b>	23/21/17	19/17/15	16/14/12

## KIT FEATURES

Kit Part #	Automatic Particle Count ISO 11500	Water ASTM E203	TAN/PH (if applicable)	Viscosity ASTM D445	Photo Microscopy Drawdown Particle Isolation	Energy Dispersive XRF ASTM E1508 (if applicable)	Spectrographic Analysis ASTM D5185
<b>894276</b>	•	•	•	•	•	•	
<b>894277</b>	•	•	•	•	•	•	•

Each kit includes:

- Super clean sample bottle
- Packaging for sending sample
- Numbered test sample data form
- Fluid analysis service

Also available is PN 894279, Vacuum Pump for extracting oil sample, and PN 932339, Ultra Clean Bottle.

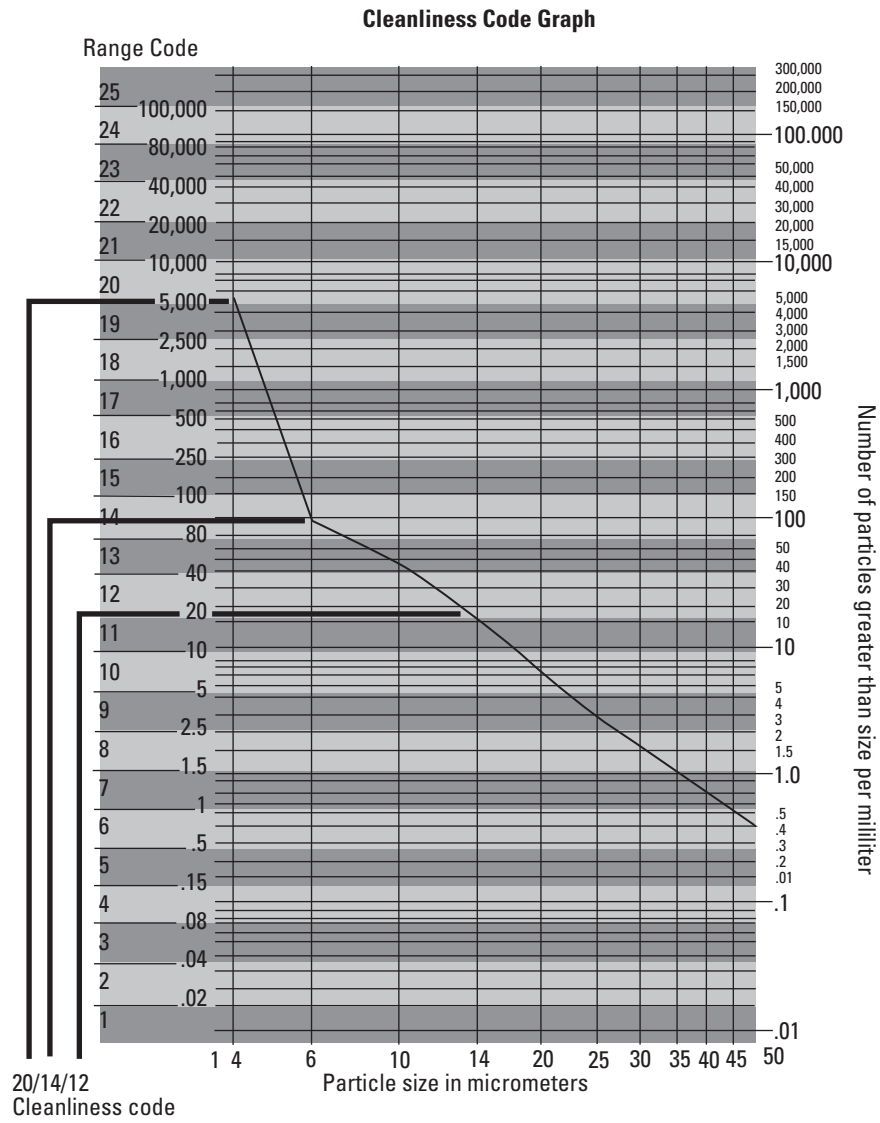


# Fluid Analysis

### 3. Cleanliness Code Graph:

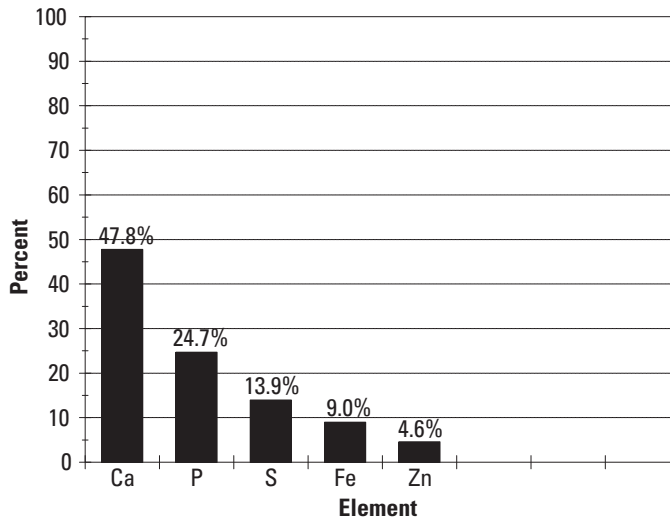
This graph uses the ISO 4406 standard for measuring and depicting the amount and size of particles per milliliter in hydraulic fluid, shown in a log-log2 graph that charts the amount of particles greater than certain micron sizes per milliliter of fluid.

**Recommendations:** This section of the report provides you with valuable information on the cleanliness of your hydraulic system, as well as tips on maintaining or improving its current condition.



### Sample XRF Analysis Results

When a fluid sample shows high particulate contamination, we use Energy Dispersive X-ray Fluorescence (XRF) analysis to isolate and identify chemical elements. The results are shown in a graph like this.



# Particle Counter

## Target Pro 2

### Lab Quality in the Field

Eaton's Target-Pro 2 Portable Particle Counter gives you laboratory quality particle count results in the field. It combines state-of-the-art laser particle counting technology with a user-friendly interface and compact size. It allows you to monitor the fluid cleanliness of hydraulic and lubrication systems and take action if necessary.

The Target-Pro 2 (PN 5002405) includes two rolls of thermal paper, one waste bottle, one waste hose, one pressure hose, one power adapter, one RS-232 serial cable, and Target-Pro 2 software for Windows. A Bottle Sampler (PN 5002406) is available as an option.

### The Eaton Method of Systemic Contamination Control:

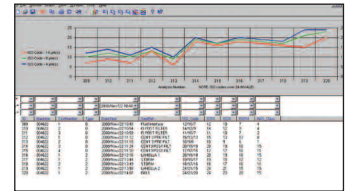
- 1. Set:** Set a Target Cleanliness Level for the system.
- 2. Select:** Achieve the Target Cleanliness by appropriate filter selection and placement.
- 3. Sample:** Maintain the Target Cleanliness by monitoring the system and taking action as necessary.



The Target-Pro 2 measures and quantifies solid contaminants in hydraulic, lubrication and transmission applications. It is designed to provide laboratory accuracy at the job site, whether your application is mobile or stationary.

# Particle Counter

## Target Pro 2



Target-Pro 2 software for Windows, included with the analyzer, allows you to download test results and analyze cleanliness trends over time.

### TECHNICAL INFORMATION

<b>Technology</b>	Automatic Optical Particle Analyzer
<b>Laser Package</b>	Twin Laser and Twin Optical Diode Detectors
<b>LCD display</b>	(backlit)
<b>Sensitivity</b>	>4, 6, 14, 21, 25, 38, 50, 68 $\mu\text{m(c)}$ , Micron range to revised ISO 4406 Standard
<b>Accuracy/Repeatability</b>	Better than 3% typical
<b>Calibration</b>	Each unit is individually calibrated with ISO Medium Test Dust (MTD) to ISO 11171:1999 on equipment certified by I.F.T.S.
<b>Analysis Range</b>	ISO 8 to ISO 24 to ISO 4406 (NAS 1638-2 to 12)
<b>Report/Print Format</b>	ISO and NAS codes, with individual particle counts as a built-in option
<b>Printer</b>	Fixed head thermal printer (384 dots per line)
<b>Target-Pro 2 Sample Volume</b>	15 ml. (normal), 30 ml. (dynamic) 24 ml. (bottle sampler) 15 ml. (continuous), 8ml. (short)

<b>Operation</b>	Max. system working pressure, 400 bar; Min. working pressure, 2 bar
<b>Viscosity Range</b>	to 400 centistokes
<b>Operating Temperature</b>	+5 to +80°C
<b>Fluid Compatibility</b>	Mineral oil and petroleum based fluids (consult Eaton for other fluids)
<b>Typical Test Time</b>	Result in <2.5 mins. (normal test)
<b>Power</b>	Internal rechargeable battery (AC charger) or external 12/24 volt DC power supply
<b>Data Storage</b>	600 tests
<b>Computer Interface</b>	RS-232 (serial) communication port
<b>Hose Connections</b>	minimess fittings microbore hose, 1.5 m waste fluid hose
<b>Dimensions</b>	Height 210mm; Depth 260mm; Width 430mm; Weight 7.6 kg

**5002405** - Particle Counter  
**5002406** - Bottle Sampling

Note:

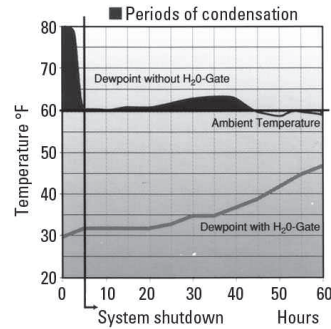
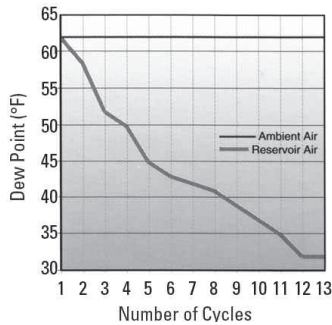
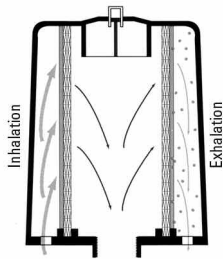
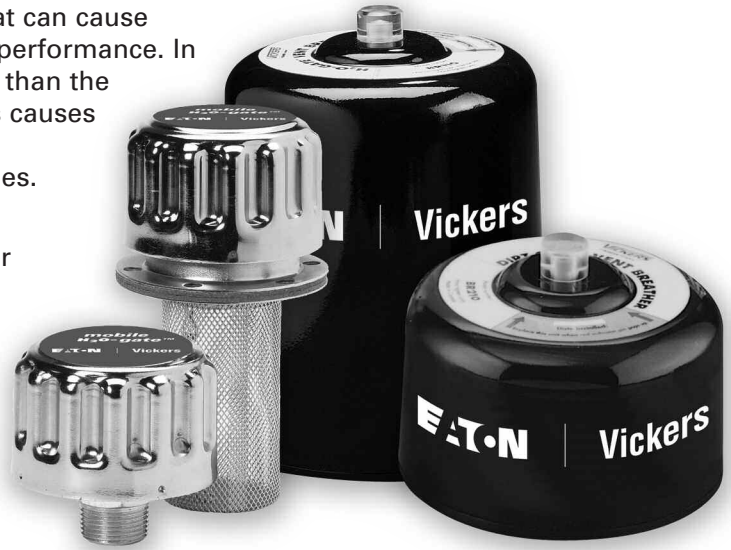
The Target-Pro should only be operated on petroleum based fluids, synthetic or biodegradable fluids. For phosphate esters, Skydrol® crankcase fluids with high soot content, or water glycol, please consult Eaton.



# Breathers

Hydraulic reservoirs “breathe” air in and out as the oil level rises and falls. This circulating air contains particles and moisture that can cause corrosion, increase equipment wear and reduce fluid performance. In typical systems, the internal hydraulic fluid is warmer than the external environment. This difference in temperatures causes water vapor to form. Breathers protect your hydraulic system by filtering out damaging moisture and particles.

More than 25% of the samples sent to the Eaton Fluid Analysis Laboratory for analysis have significant water contamination. In an operating system, the H2O-gate Vent Breather creates a moisture barrier when there is a 5°F (2°C) difference between reservoir and ambient temperature and when there is a 10% per minute exchange of air volume above the fluid. The Mobile-gate breather is smaller in size but is also 1/4 the size and 1/2 the capacity of the H2O-gate. These temperature and air flow conditions are present in most hydraulic systems which employ a cylinder.



### Part Numbers:

NPT Mobile-gate	<b>MBR110</b>
Flange Mobile-gate	<b>MBR120</b>
H2O-gate	<b>BR110</b>
Dirt-gate	<b>BR210</b>

### Performs as a gate

During the “inhalation” cycle, the proprietary media blocks the water vapor from entering the reservoir. During the “exhalation” cycle, the media allows the moisture in the reservoir air to exit. The moisture is carried off the media by the exiting air, restoring the media’s water barrier capacity and the moisture barrier mechanism is not affected by the amount of exposure to moisture. The reservoir air is maintained at a low relative humidity and more importantly, at a lower dew point temperature than the ambient temperature.

### Works even when the system is shut down.

The H2O-gate and Mobile-gate Vent Breather retard the vapor equilibrium process and work to prevent condensation even after the system is shut and cooled down, such as overnight. As this chart illustrates, the dewpoint is slow to climb, even after the system temperature has dropped to the ambient temperature. Once the system has reached ambient temperature, condensation does not occur.

### Reduces humidity inside reservoir.

The H2O-gate and Mobile-gate Vent Breathers lower and stabilize the relative humidity of air inside the reservoir, leading to a lower dewpoint (T<sub>dewpoint</sub> < T<sub>ambient</sub> = NO CONDENSATION) at a rate and amount that will be dependent upon several conditions: the ambient conditions, the internal reservoir heat, amount and frequency of reservoir air flow through the vent and the temperature of the reservoir surfaces.

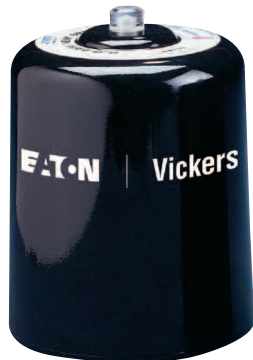
### BREATHER FEATURES

	H <sub>2</sub> O-gate	Dirt-gate	Mobile-gate
Visual Indicator	•	•	•
Particle Control	•	•	•
Water/Moisture Control	•	•	•
Corrosion Resistant Housing	•	•	•
Flow Rate	708 L/min (187 USgpm)	708 L/min (187 USgpm)	473 L/min (125 USgpm)



# Breathers

## H2O-gate™ Reservoir Breather



### Features/Benefits:

- Visual Mechanical Indicator: Actuates when particles have blocked the media, before the pump cavitates.
- Proprietary Media: Reduces dew point temperature to prevent condensation and is 99.7% efficient in blocking particles 3µ and larger.
- Reversible Flow Through Media: Allows for moisture to exit the reservoir.
- Media contains oil attractant layer to collect and return oil splashes.
- Easy Installation: Lightweight design can be hand tightened onto adapter.
- Durable Plastic Housing: Protects the media from external splashing.
- Superior breather filters both moisture and particles from air.
- Effective up to 121°C (250°F)
- Rated up to 25 SCFM

### Part Numbers:

H2O-gate	<b>BR110</b>
Bayonet Adapter	<b>924710</b>
Screw-in Adapter	<b>P-077002</b>

## Dirt-gate™ Reservoir Breather



### Features/Benefits:

- Visual Mechanical Indicator: Actuates when particles have blocked the media, before the pump cavitates.
- Easy Installation: Lightweight design can be hand tightened onto adapter.
- Durable Plastic Housing: Protects the media from external splashing.
- High Efficiency: (99% at 2 microns)
- Very Low Pressure Drop
- Filters out particles
- Effective up to 121°C (250°F)
- Rated up to 25 SCFM

### Part Numbers:

Dirt-gate	<b>BR210</b>
Bayonet Adapter	<b>924710</b>
Screw-in Adapter	<b>P-077002</b>

### Note:

This breather does not filter moisture from air.

## Mobile-gate™ Filler Breather Assemblies



MBR110

MBR120

### Features/Benefits:

- Proprietary Media: Reduces dew point temperature to prevent condensation and is 99.7% efficient in blocking particles 10µ and larger.
- Water Barrier: Regenerates its water shedding capacity with each cycle.
- Reversible Flow Through Media: Allows for moisture to exit the reservoir.
- Easy Installation: Lightweight design can be hand tightened.
- Rugged metal housing is long lasting and ideal for mobile applications.
- Rated to 16.7 SCFM

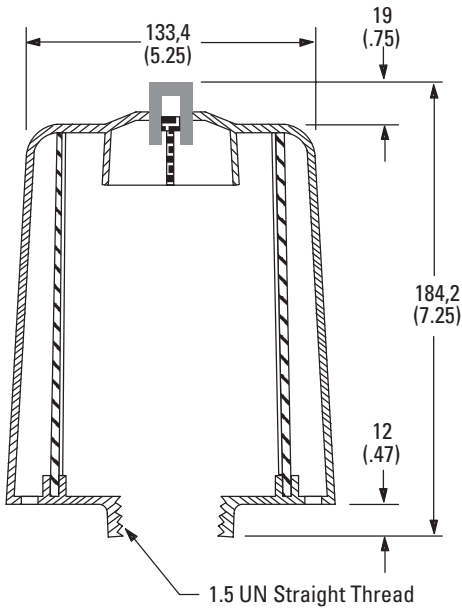
### Part Number

MBR110	<b>5002486</b>
MBR120	<b>5002487</b>

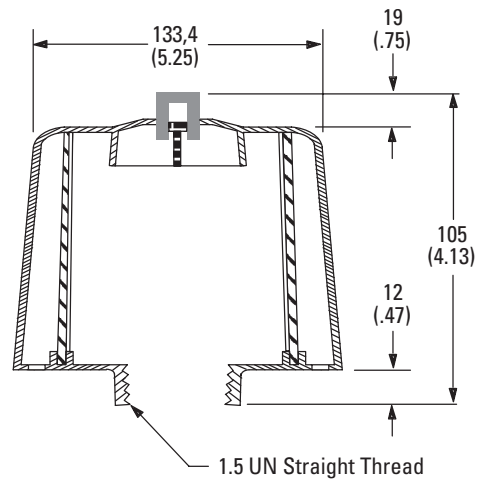
*Items not in bold are non-standard and may have a longer lead time*

# Breathers

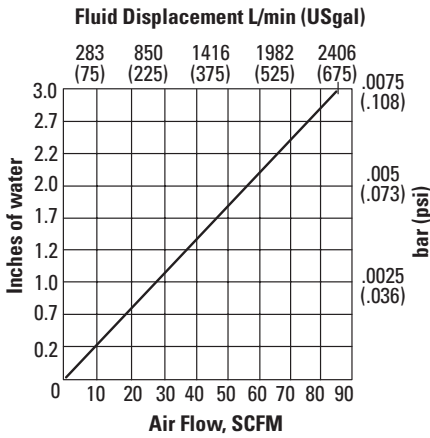
## H2O-gate Specifications



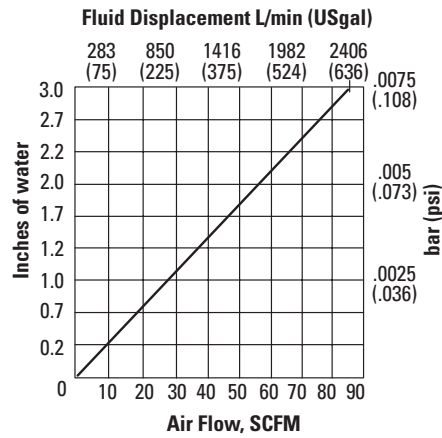
## Dirt-gate Specifications



## H2O-gate Pressure Drop

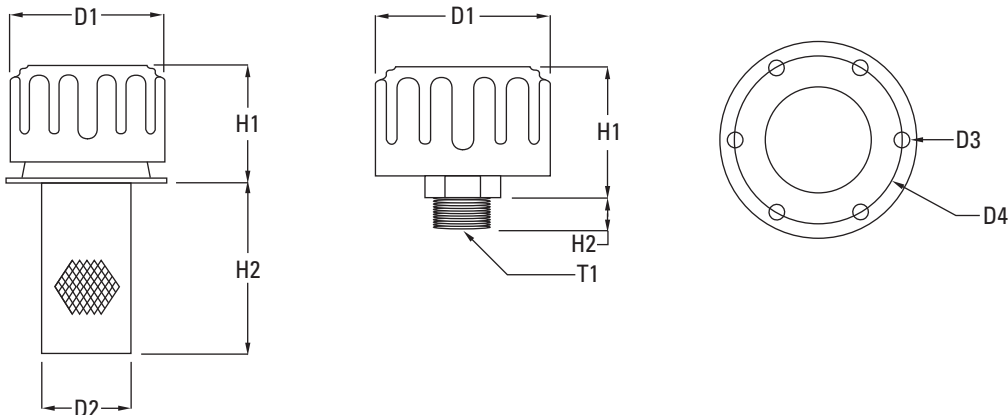


## Dirt-gate Pressure Drop



## Mobile-gate Specifications

PART NUMBER	FLOW		DIMENSIONS (in)						
	USgpm	L/min	D1	D2	D3	D4	H1	H2	T1
MBR110	125	475	3.08	-	-	-	2.33	0.63	NPT 3/4
MBR120	125	475	3.08	1.88	-	-	2.50	3.50	-
MBR120 FLANGE	-	-	-	-	0.25	2.81	-	-	-

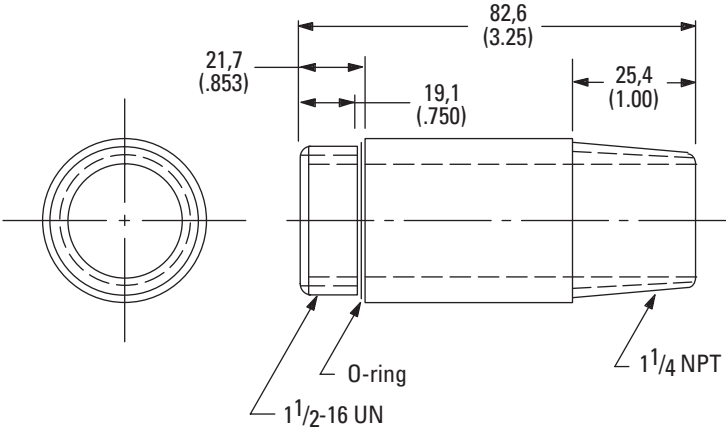


# Breathers

## Adapters

### Installation Dimensions

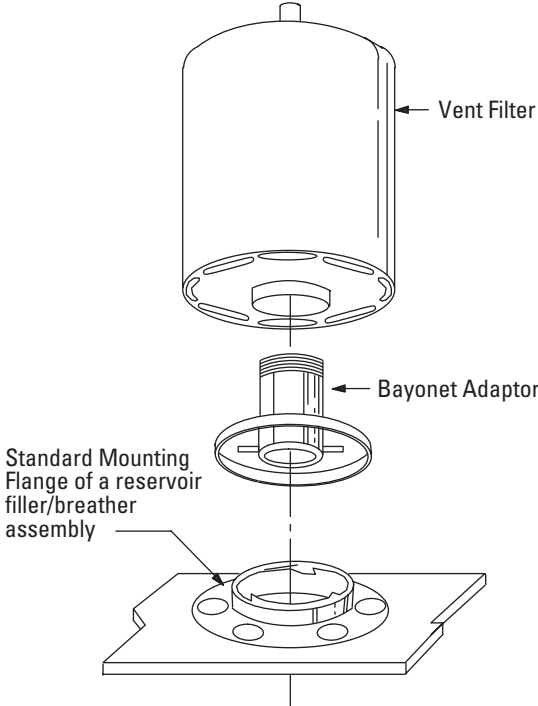
#### Threaded Pipe Adaptor



#### MODELS AND PART NUMBERS

Part Number	Description	Vent Filters Applicable
924710	Bayonet, no check	BR110, BR210
P-077002	Threaded pipe	BR110, BR210

#### Bayonet Adaptor



All Eaton Vent Filters are easily applied to reservoirs via Spin-On adaptors.

# Return Line Filters

## General Data

Return line filters usually have spin-on type elements, cartridge elements in an in-line mounted housing, or cartridge elements within a housing that is mounted directly within the reservoir itself (sometimes referred to as an in-tank filter).

Return line filters may also be equipped with fluid sampling devices to monitor the fluid cleanliness level. Secondary ports may also be incorporated to add make-up fluid and ensure that the fluid is transferred through a filter before entering the system.



## Return line filters are:

- An integral part of an effective contamination control solution.
- Ideal for systems where the pump is the sensitive component.
- An economic means of achieving the target cleanliness level.
- Often placed before the fluid enters the reservoir in order to prevent debris and particles from recirculating through the system.
- A crucial component when cylinders are present in the system. Cylinders potentially contribute a large amount of contamination ingress and return line filters are ideal for this type of control solution.
- Sometimes the only filters necessary (combined with a breather) when seeing the entire system flow on a continuous basis.
- Only a part of an effective contamination control solution when the system employs variable displacement pumps. Filters in systems like this may be supplemented by pressure and/or off-line filters.

## Applications

- Stroke boom delimiters
- Drilling platforms
- Die cast machines/ injection molding
- Large machine tools



# Return Line Filters

## HV3R Series

Flows to 280 L/min (75 USgpm)  
Pressures to 50 bar (725 psi)



### Features and Benefits

- Beta Ratio:  $\beta_{X(C)} = 1000$  to ISO 16889
- Designed to comply with ANSI specifications and ISO cleanliness standards
- Visual and electrical indicators with lamp options for system design flexibility
- Fully serviceable without tools
- Zero leak by-pass valve construction
- Wide range of element lengths for maximum design flexibility
- High efficiency replacement elements in standard configurations (C-Pak) to meet Target Cleanliness Levels
- High collapse elements available for non-bypass applications

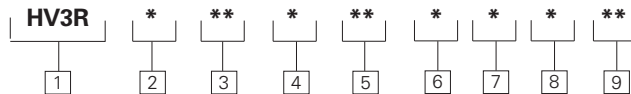
### HV3R Series Filter and Element Model Code

#### Sample model code:

HV3R1SC4RLB2C05

### DESIGN SPECIFICATIONS

<b>Rated flow:</b>	Length 1	160 L/min (42 USgpm)
	Length 2	240 L/min (63 USgpm)
	Length 4	280 L/min (74 USgpm)
<b>Fluid compatibility:</b>	Compatible with most petroleum oil, oil-in-water and water-in-oil fluids Optional seals available for phosphate esters.	
<b>Temp range:</b>	-30°C to 121°C (-22°F to 250°F)	
<b>Pressure rating:</b>	Operating	50 bar (725 psi)
	Fatigue	50 bar (725 psi)
<b>Material:</b>	Head	Aluminum
	Bowl	Carbon Steel
	Collar	Carbon Steel
<b>Dry weight:</b> (Approximate)	Length 1	2,3 kg (5.1 lbs)
	Length 2	2,5 kg (5.5 lbs)
	Length 4	3,4 kg (7.5 lbs)



#### 1 Filter Series - HV3R

#### 2 Element Collapse Rating

- 1 - 17 bar (250 psi) Low Collapse
- 4 - 207 bar (3000 psi) High Collapse

#### 3 Port Options

- BC - G 1-1/4 to ISO 228
- SC - 1.625 - 12UN SAE-20 str. Thd. (1-1/4" tube)

#### 4 Valve Options

- 1 - Non-Bypass
- 3 - Bypass set at 1.7 bar (25 psi)
- 4 - Bypass set at 3 bar (43 psi)
- 6 - Bypass set at 6 bar (87 psi)

#### 5 Indicator Options

- JN - No Indicator (plug), No Connector
- QB - Electrical 1 bar (15 psi) Brad Harrison
- QJ - Electrical 1 bar (15 psi) Hirschmann w 24V light
- QK - Electrical 1 bar (15 psi) Hirschmann w 115V light
- QL - Electrical 1 bar (15 psi) Hirschmann w 230V light

**QH** - Electrical 1 bar (15 psi) Hirschmann

**LN** - Visual (30 psi) No Connector

**RB** - Electrical 2 bar (30 psi) Brad Harrison

**RJ** - Electrical 2 bar (30 psi) Hirschmann w 24 volt light

**RK** - Electrical 2 bar (30 psi) Hirschmann w 115 volt light

**RL** - Electrical 2 bar (30 psi) Hirschmann w 230 volt light

**RH** - Electrical 2 bar (30 psi) Hirschmann

**AN** - Visual (70 psi) No Connector

**UB** - Electrical 4.9 bar (70 psi) Brad Harrison

**UJ** - Electrical 4.9 bar (70 psi) Hirschmann w 24 volt light

**UK** - Electrical 4.9 bar (70 psi) Hirschmann w 115 volt light

**UL** - Electrical 4.9 bar (70 psi) Hirschmann w 230 volt light

**UH** - Electrical 4.9 bar (70 psi) Hirschmann

#### 6 Seal Material

- B - Buna-N
  - V - Viton-A
- Viton is a registered trademark of E.I. DuPont

#### 7 Assembly Length

- mm (inch)
- 1 - 207 (8.15)
- 2 - 266 (10.47)
- 4 - 447 (17.6)

#### 8 Element Construction

- C - 17 bar (250 psi) Low Collapse
- H - 207 bar (3000 psi) High Collapse
- X - no element

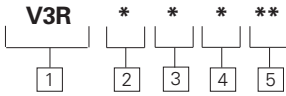
#### 9 Fluid Cleanliness Rating

Code	Target fluid cleanliness level
03	16/14/12 or better
05	18/16/14 or better
10	20/18/15 or better
*20	22/19/16 or better
XX	no element

# Return Line Filters

## HV3R Series

Flows to 280 L/min (75 USgpm)  
Pressures to 50 bar (725 psi)



### V3R Element Model Code

Sample model code:

V3RB1C05

#### 1 Filter Element

**V3R** - For use with HV3R series housings

#### 2 Seal Material

**B** - Buna-N  
**V** - Viton-A

#### 3 Element Length

mm (inch)  
**1** - 114 (4.5)  
**2** - 173 (6.8)  
**4** - 356 (14)

#### 4 Element Construction

**C** - C-Pak (code 03, 05, 10, 20)  
**H** - H-Pak (code 03, 05, 10)

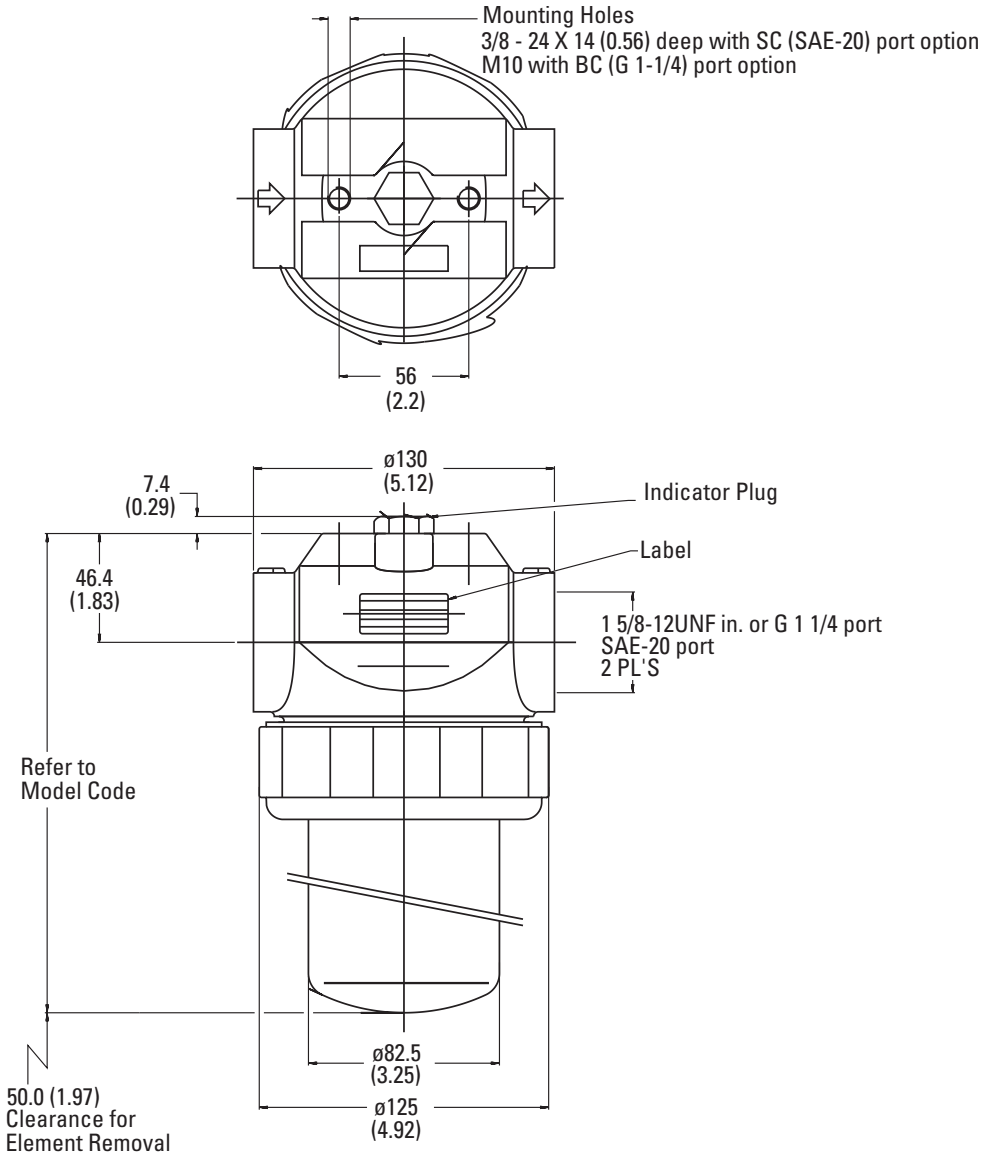
#### 5 Fluid Cleanliness Rating

Code	Target fluid cleanliness level
<b>03</b>	16/14/12 or better
<b>05</b>	18/16/14 or better
<b>10</b>	20/18/15 or better
<b>*20</b>	22/19/16 or better

**\* C - Pak only**

### Housing Dimensions

mm (inch)



Items not in bold are non-standard and may have a longer lead time

# Return Line Filters

## HV3R Series

### Flow Data

Flows to 280 L/min (75 USgpm)  
Pressures to 50 bar (725 psi)

#### Flow versus pressure drop:

150 SUS (32 cSt) oil with specific gravity of  $\leq 0.9$

### HV3R Filter Elements Flow Data

'K' factor - bar/lpm (psi/gpm)

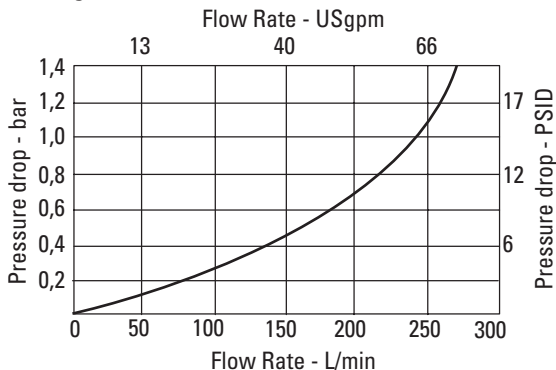
ELEMENT TYPE / SIZE		MICRON RATING			
		03	05	10	20
C -pak	1	0.013 (0.717)	0.009 (0.479)	0.005 (0.252)	0.004 (0.193)
	2	0.008 (0.450)	0.006 (0.332)	0.004 (0.196)	0.002 (0.127)
	4	0.004 (0.220)	0.003 (0.170)	0.002 (0.092)	0.001 (0.071)
H -pak	1	0.017 (0.919)	0.010 (0.569)	0.006 (0.321)	xxx
	2	0.011 (0.578)	0.007 (0.374)	0.004 (0.214)	xxx
	4	0.006 (0.312)	0.003 (0.184)	0.002 (0.097)	xxx

Note: For flow in gpm, use the values inside the brackets.

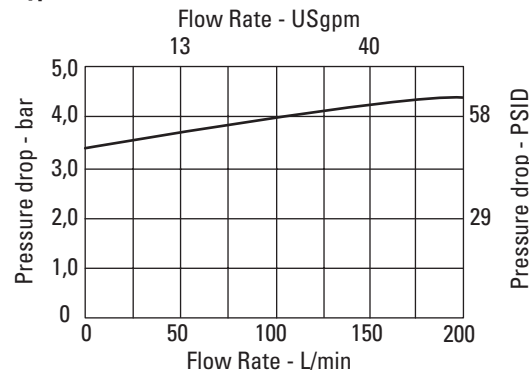
Note: The values for bar/lpm have been rounded to the third decimal.

### Housing/Bypass Valve Flow Data

#### Housing



#### Bypass Valve



#### Sample $\Delta P$ Calculation :

HV3R1SC4RLB2C05 - Filter assembly having '2' length filter element with micron rating code '05' at 100 L/min flow rate using a hydraulic fluid at 46 cSt viscosity & specific gravity (sp.gr.)0.8.

$\Delta P$ Assembly	=	$\Delta P$ Housing	+	$\Delta P$ Element
	=	Housing factor from graph $\times \text{sp.gr.}(\text{actual})/0.9$	+	Flow Rate (Lpm) $\times$ Element 'K' factor (bar/lpm) $\times$ [ actual cSt / 32 ] $\times$ [Sp.Gr(actual) / 0.9]
	=	0.7 $\times$ 0.8/0.9	+	100 $\times$ 0.006 $\times$ 46/32 $\times$ 0.8/0.9
	=	0.620	+	0.76
	=	<b>1.38 bar</b>		

# Return Line Filters

## HV6R Series

Flows to 1,700 L/min (450 USgpm)  
Pressures to 25 bar (360 psi)

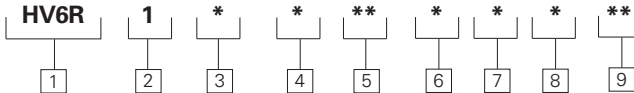


### Features and Benefits

- Beta Ratio:  $\beta_{X(C)} = 1,000$  to ISO 16889
- Designed to comply with ANSI specifications and ISO cleanliness standards
- Easy to remove cap to facilitate element change and minimize spillage
- Vent and drain ports to facilitate maintenance and system start-up
- Delta P visual, electrical, and electrical indicators with lamp options for system design flexibility
- High efficiency replacement elements in standard configurations (C-Pak)

### DESIGN SPECIFICATIONS

<b>Rated flow:</b>	Length 5	1,300 L/min (343 USgpm)
	Length 8	1,700 L/min (450 USgpm)
<b>Fluid compatibility:</b>	Compatible with most petroleum oil, oil-in-water and water-in-oil fluids. Optional seals available for phosphate esters.	
<b>Temp range:</b>	-30°C to *121°C (-22°F to *250°F)	
<b>Pressure rating:</b>	Operating	25 bar (360 psi)
	Fatigue	25 bar (360 psi)
<b>Material:</b>	Head, Housing, Lid Aluminum	
<b>Dry weight:</b> (Approximate)	Length 5	17 kg (37 lbs)
	Length 8	23 kg (50 lbs)
<b>Port Size:</b>	4in SAE Code 61 Flange with Metric threads (M16 bolts provided)	



### HV6R Series Filter and Element Model Code

#### Sample model code:

HV6R1MT4RLB8C05

#### 1 Filter Series - HV6R

#### 2 Element Collapse Rating

1 - 10 bar (150 psi)

#### 3 Mounting Options

F - In-line  
T - In-tank

#### 4 Valve Options

1 - Non-Bypass  
2 - Bypass set at 1.7 bar (25 psi) cracking pressure  
4 - Bypass set at 3 bar (43 psi) cracking pressure

#### 5 Indicator Options

AN - Visual 4.9 bar (70 psi)  
No Connector  
KN - Visual 1 bar (15 psi)  
No Connector  
LN - Visual 2 bar (30 psi)  
No Connector  
JN - No Indicator (plug),  
No Connector  
QB - Electrical 1 bar (15 psi)  
Brad Harrison  
QJ - Electrical 1 bar (15 psi)  
Hirschmann w 24V light

QK - Electrical 1 bar (15 psi)  
Hirschmann w 115V light

QL - Electrical 1 bar (15 psi)  
Hirschmann w 230V light

QH - Electrical 1 bar (15 psi)  
Hirschmann

RB - Electrical 2 bar (30 psi)  
Brad Harrison

RJ - Electrical 2 bar (30 psi)  
Hirschmann w 24 volt light

RK - Electrical 2 bar (30 psi)  
Hirschmann w 115 volt light

RL - Electrical 2 bar (30 psi)  
Hirschmann w 230 volt light

RH - Electrical 2 bar (30 psi)  
Hirschmann

UB - Electrical 4.9 bar (70 psi)  
Brad Harrison

UJ - Electrical 4.9 bar (70 psi)  
Hirschmann w 24 volt light

UK - Electrical 4.9 bar (70 psi)  
Hirschmann w 115 volt light

UL - Electrical 4.9 bar (70 psi)  
Hirschmann w 230 volt light

UH - Electrical 4.9 bar (70 psi)  
Hirschmann

#### 6 Seal Material

B - Buna-N  
V - Viton-A

#### 7 Assembly Length

mm (inch)  
5 - 606 (23.9)  
8 - 1045 (41.1)

#### 8 Element Construction

C - Standard Construction  
L - Deep pleat Construction  
X - no element

#### 9 Fluid Cleanliness Rating

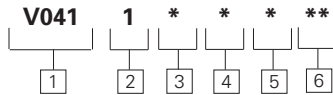
Code	Target fluid cleanliness level
03	16/14/12 or better
05	18/16/14 or better
10	20/18/15 or better
20	22/19/16 or better
XX	no element



# Return Line Filters

## HV6R Series

Flows to 1,700 L/min (450 USgpm)  
Pressures to 25 bar (360 psi)



### V041 Element Model Code

Sample model code:

V0411B5L03

#### 1 Filter element

**V041** - For use with HV6R series housings

#### 2 Element collapse rating

**1** - 10 bar (150 psi)  
Low Collapse

#### 3 Seal material

**B** - Buna-N  
**V** - Viton-A

#### 4 Element length

mm (inch)  
**5** - 406 (16)  
**8** - 990 (39)

#### 5 Element construction

**C** - C-Pak (code 03, 05, 10, 20)  
**L** - L-Pak (code 03, 05, 10, 20)

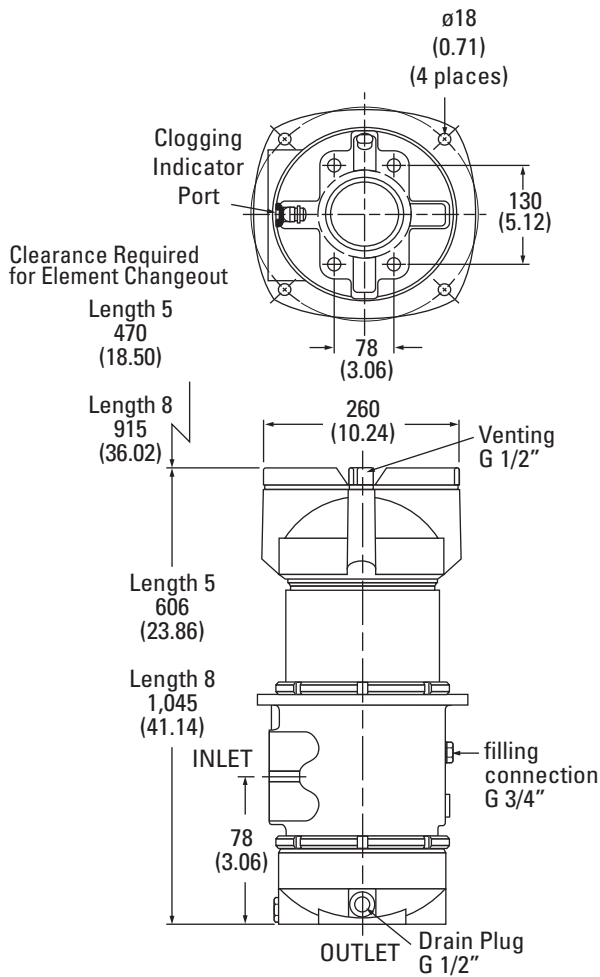
#### 6 Fluid cleanliness rating Target fluid

Code	cleanliness level
<b>03</b>	16/14/12 or better
<b>05</b>	18/16/14 or better
<b>10</b>	20/18/15 or better
<b>20</b>	22/19/16 or better
<b>XX</b>	no element

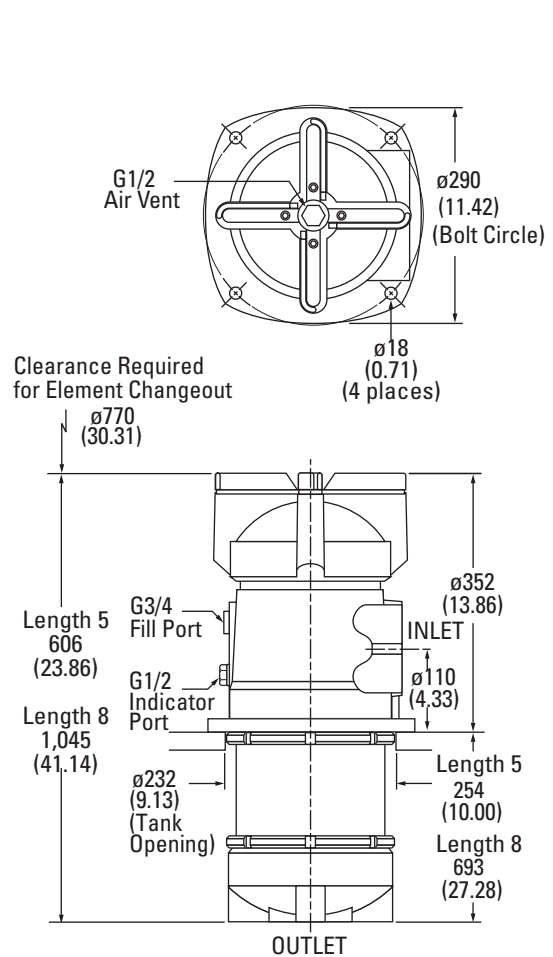
### Housing Dimensions

mm (inch)

#### In-line HV6R



#### In-tank HV6R



Items not in bold are non-standard and may have a longer lead time

# Return Line Filters

## HV6R Series

### Flow Data

Flows to 1,700 L/min (450 USgpm)  
Pressures to 25 bar (360 psi)

#### Flow versus pressure drop:

150 SUS (32 cSt) oil with specific gravity of  $\leq 0.9$

### HV6R Filter Elements Flow Data

'K' factor - bar/lpm (psi/gpm)

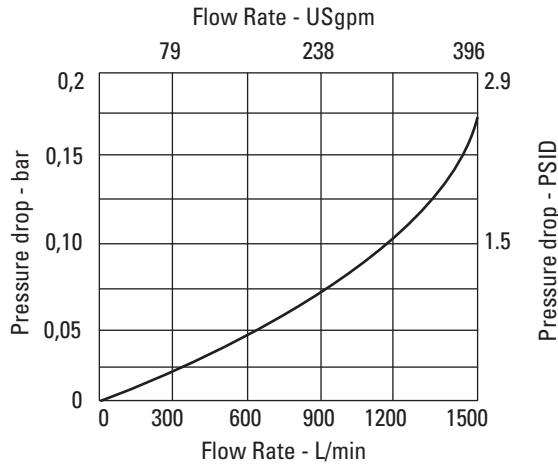
ELEMENT TYPE / SIZE		MICRON RATING			
		03	05	10	20
C -pak	5	0.001 (0.055)	0.001 (0.046)	0.001 (0.026)	0.001 (0.014)
	8	0.001 (0.023)	0.001 (0.019)	0.001 (0.011)	0.001 (0.006)
L -pak	5	0.001 (0.046)	0.001 (0.038)	0.001 (0.021)	0.001 (0.012)
	8	0.001 (0.017)	0.001 (0.014)	0.001 (0.008)	0.001 (0.004)

Note: For flow in gpm, use the values inside the brackets.

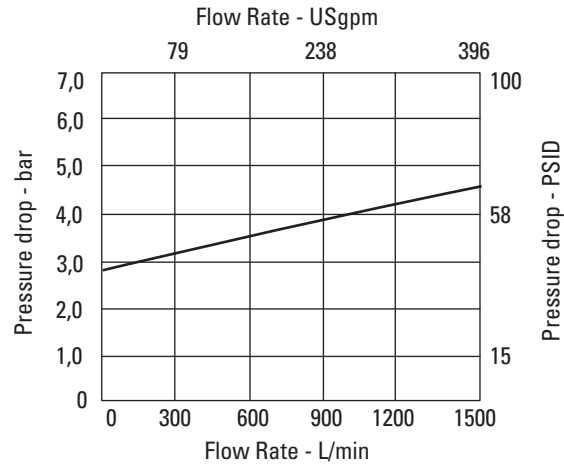
Note: The values for bar/lpm have been rounded to the third decimal.

### Housing/Bypass Valve Flow Data

#### Housing



#### Bypass Valve



#### Sample $\Delta P$ Calculation :

HV6R1MT4RLB8C05 - Filter assembly having '8' length filter element with micron rating code '05' at 200 L/min flow rate using a hydraulic fluid at 46 cSt viscosity & specific gravity (sp.gr.) 0.8

$\Delta P$ Assembly	=	$\Delta P$ Housing	+	$\Delta P$ Element
	=	Housing factor from graph $\times \text{sp.gr.}(\text{actual})/0.9$	+	Flow Rate (Lpm) $\times$ Element 'K' factor (bar/lpm) $\times$ [ actual cSt / 32 ] $\times$ [Sp.Gr(actual) / 0.9]
	=	0.01 $\times$ 0.8/0.9	+	200 $\times$ 0.001 $\times$ 46/32 $\times$ 0.8/0.9
	=	0.008	+	0.25
	=	<b>0.26 bar</b>		

# Return Line Filters

## HV6RD Series

Flows to 1,700 L/min (450 USgpm)  
Pressures to 25 bar (360 psi)



### Features and Benefits

- Beta Ratio:  $\beta_{x(c)} = 1000$  to ISO 16889
- Extremely large filtration area and flow capacity
- Designed for both in-tank and inline applications
- Easy filter replacement using screw-on lid
- Vent and drain ports are standard
- Anodization is not required for aluminum alloy when using water based fluids
- Reusable contamination basket prevents re-entry of retained contaminants into the reservoir during element replacement
- Filters can be fitted with clogging indicators to monitor the contamination level of the element
- HV6RD duplex filters have a ball-type selector valve to provide continuous filtration and eliminate the need to shut-down the system during element changeout

### Series HV6RD Filter Model Code

#### Sample model code:

HV6RD1F2KNB1C05

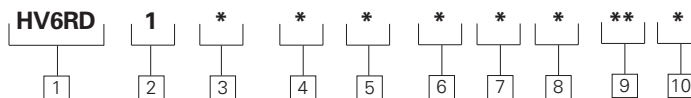
#### Note:

Elements used in the HV6RD are not dimensionally equivalent to elements in the HV6R series. An indicator is supplied for each side.

### DESIGN SPECIFICATIONS

<b>Rated flow:</b>	Length 1	1300 L/min (343 USgpm)
	Length 2	1700 L/min (450 USgpm)
<b>Fluid compatibility:</b>	Compatible with most petroleum oil, oil-in-water and water-in-oil fluids. Optional seals available for phosphate esters.	
<b>Temp range:</b>	-30°C to +121°C (-22°F to +250°F)	
<b>Pressure rating:</b>	Operating	25 bar (360 psi)
	Fatigue	25 bar (360 psi)
<b>Material:</b>	Head	Aluminum
	Housing	Aluminum
	Manifolds	Ductile Iron
<b>Dry weight:</b> (Approximate)	Length 1	33,6 kg. (74 lbs)
	Length 2	79,8 kg. (176 lbs)
<b>Port size:</b>	4 in SAE Code 61 Flange with metric threads (M16 bolts provided)	

For additional filtration HV6RD filters can be configured with multiple housings/elements evenly mounted parallel to a single head. These configurations can be designed in evenly balanced series, for example: 2x2 would be 4 total elements with 2 on each side of the head. Contact Eaton to specify.



- 1 Filter Series - HV6RD**
- 2 Element Collapse Rating**  
1 - 10 bar (150 psi) Low collapse
- 3 Mounting Options**  
F - Inline  
T - In-Tank
- 4 Valve Options**  
1 - Non-Bypass  
2 - Bypass set at 1.7 bar (25 psi) pressure  
4 - Bypass set at 3 bar (43 psi) cracking  
6 - Bypass set at 6 bar (87 psi) pressure
- 5 Indicator Options**  
AN - Visual 4.9 bar (70 psi) No Connector  
KN - Visual 1 bar (15 psi) No Connector  
LN - Visual 2 bar (30 psi) No Connector  
JN - No Indicator (plug), No Connector  
MB - Electrical 1 bar (15 psi) Brad Harrison  
MJ - Electrical 1 bar (15 psi) Hirschmann w 24 volt light

- MK** - Electrical 1 bar (15 psi) Hirschmann w 115 volt light
- ML** - Electrical 1 bar (15 psi) Hirschmann w 230 volt light
- MH** - Electrical 1 bar (15 psi) Hirschmann
- RB** - Electrical 2 bar (30 psi) Brad Harrison
- RJ** - Electrical 2 bar (30 psi) Hirschmann w 24 volt light
- RK** - Electrical 2 bar (30 psi) Hirschmann w 115 volt light
- RL** - Electrical 2 bar (30 psi) Hirschmann w 230 volt light
- RH** - Electrical 2 bar (30 psi) Hirschmann
- UB** - Electrical 4.9 bar (70 psi) Brad Harrison
- UJ** - Electrical 4.9 bar (70 psi) Hirschmann w 24 volt light
- UK** - Electrical 4.9 bar (70 psi) Hirschmann w 115 volt light
- UL** - Electrical 4.9 bar (70 psi) Hirschmann w 230 volt light
- UH** - Electrical 4.9 bar (70 psi) Hirschmann

- 6 Seal Material**  
B - Buna-N  
V - Viton-A
- 7 Assembly Length**  
mm (inch)  
1 - 606 (24)  
2 - 1045 (41)
- 8 Element Construction**  
C - Standard Construction  
L - Deep Pleat Construction  
X - no element
- 9 Fluid Cleanliness Rating**  

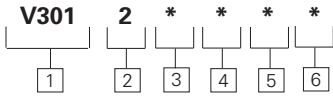
Code	cleanliness level
<b>03</b>	16/14/12 or better
<b>05</b>	18/16/14 or better
<b>10</b>	20/18/15 or better
<b>20</b>	22/19/16 or better
<b>XX</b>	no element
- 10 Flow Path**  
A - Front inlet, front outlet  
B - Front inlet, back outlet  
C - Top inlet, front outlet  
D - Top inlet, bottom outlet  
E - In-Tank mount

Items not in bold are non-standard and may have a longer lead time

# Return Line Filters

## HV6RD Series

Flows to 1,700 L/min (450 USgpm)  
Pressures to 25 bar (360 psi)



### V301 Element model code

Sample model code:

V3012B1C10

**1** Filter Element - V301

**2** Element Collapse Rating

2 - 17 bar (250 psi) Collapse

**3** Seal Material

**B** - Buna-N

**V** - Viton-A

**4** Element Length

mm (in)  
1 - 254 (10)

2 - 693 (27)

**5** Element Construction

**C** - C-pak (code 03, 05, 10, 20)

**L** - L-pak (code 03, 05, 10, 20)

**6** Fluid Cleanliness Rating  
Target fluid

**Code** cleanliness level

**03** 16/14/12 or better

**05** 18/16/14 or better

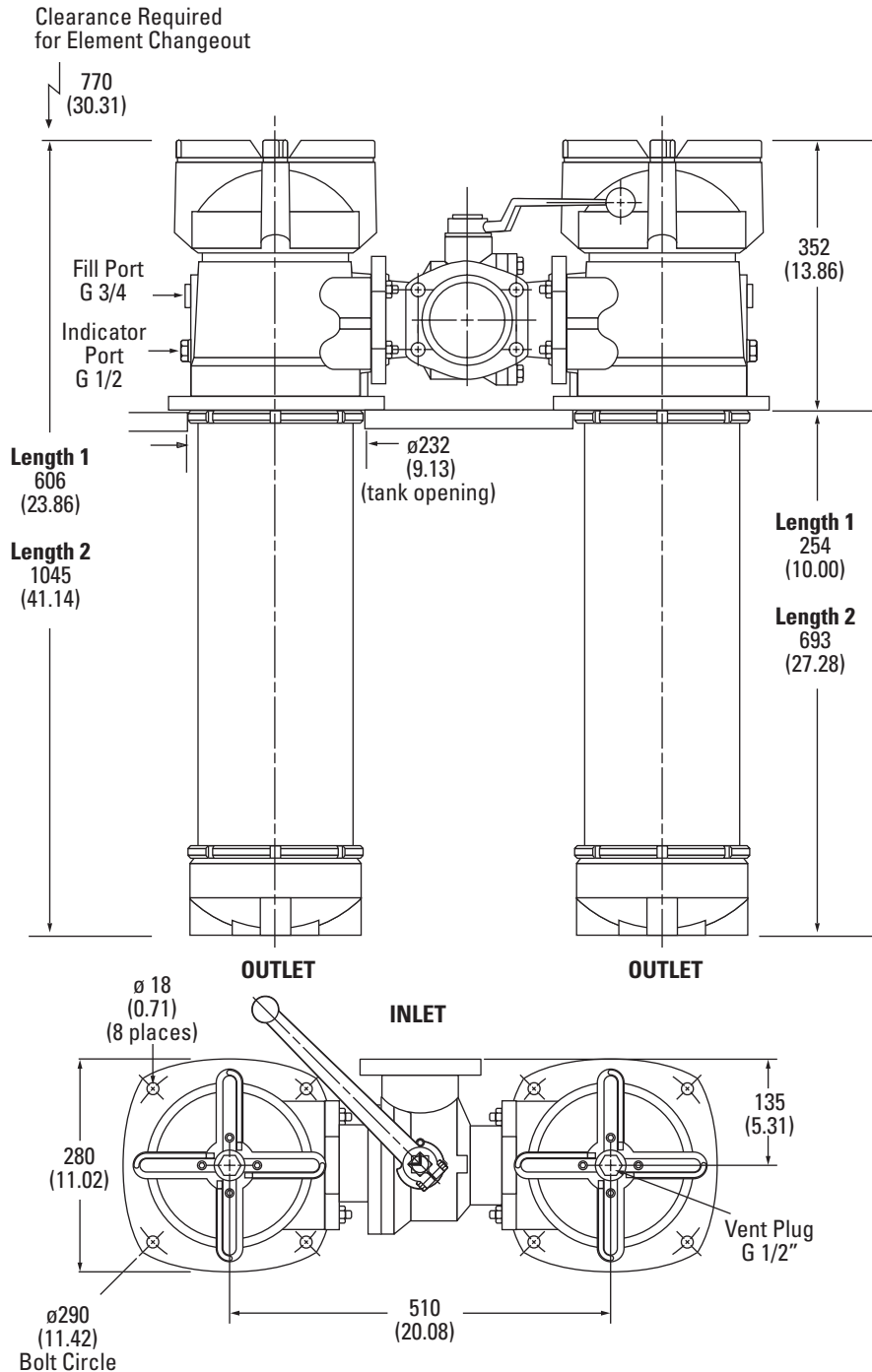
**10** 20/18/15 or better

**20** 22/19/16 or better

### Housing Dimensions

mm (inch)

#### In-tank



Items not in bold are non-standard and may have a longer lead time



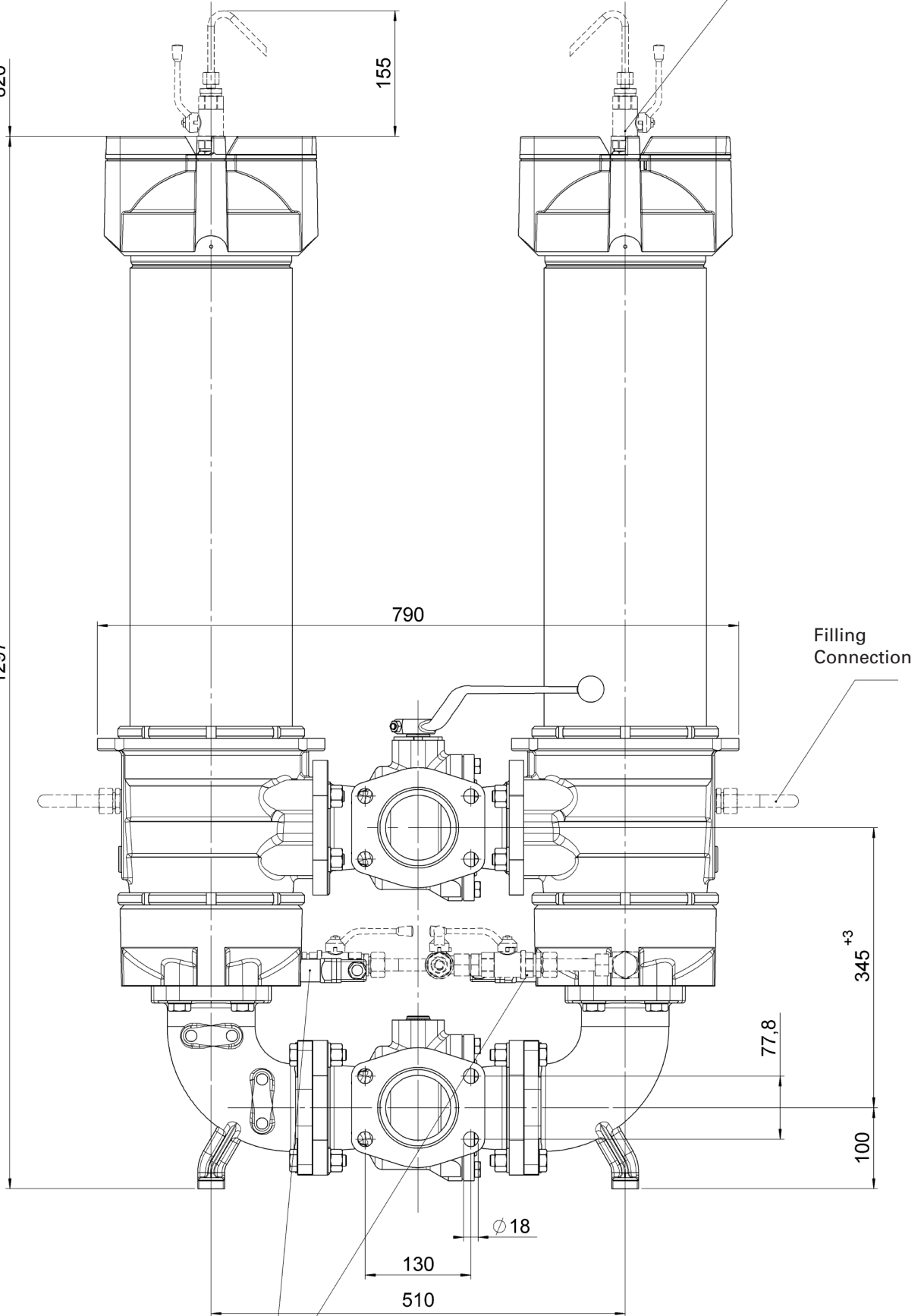
# Return Line Filters

## HV6RD Series

Venting G 1/2

**Housing Dimensions**  
mm (inch)  
**In-Line**

(16) Element - 858mm  
(39) Element - 1,502mm



*Items not in bold are non-standard and may have a longer lead time*

# Return Line Filters

## HV6RD Series

### Flow Data

Flows to 1,700 L/min (450 USgpm)  
Pressures to 25 bar (360 psi)

#### Flow versus pressure drop:

150 SUS (32 cSt) oil with specific gravity of  $\leq 0.9$

### HV6RD Filter Elements Flow Data

'K' factor - bar/lpm (psi/gpm)

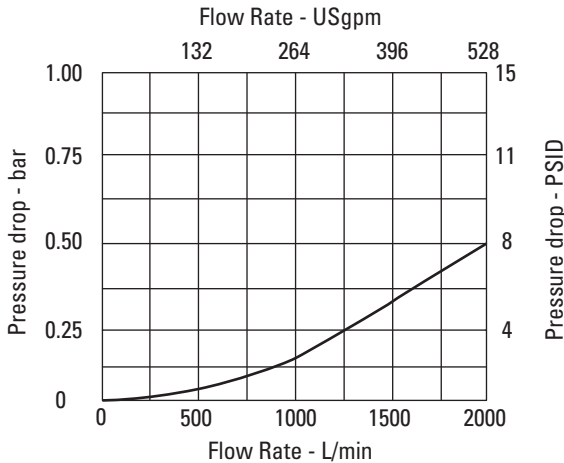
ELEMENT TYPE / SIZE		MICRON RATING			
		03	05	10	20
C -pak	1	0.001 (0.055)	0.001 (0.046)	0.001 (0.026)	0.001 (0.014)
	2	0.001 (0.023)	0.001 (0.019)	0.001 (0.011)	0.001 (0.006)
L -pak	1	0.001 (0.046)	0.001 (0.038)	0.001 (0.021)	0.001 (0.012)
	2	0.001 (0.017)	0.001 (0.014)	0.001 (0.008)	0.001 (0.004)

Note: For flow in gpm, use the values inside the brackets.

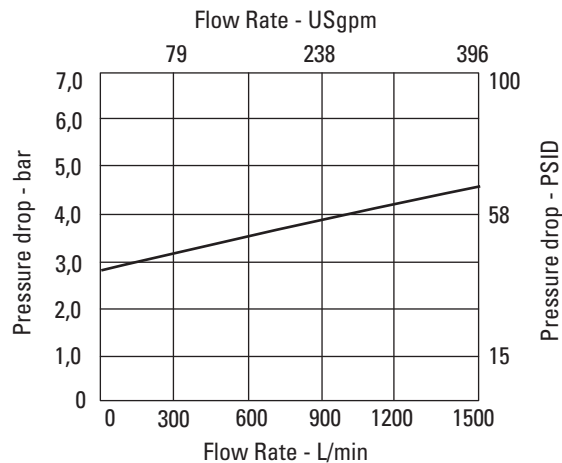
Note: The values for bar/lpm have been rounded to the third decimal.

### Housing/Bypass Valve Flow Data

#### Housing



#### Bypass Valve



#### Sample $\Delta P$ Calculation :

HV6RD1F2ANB1C05 - Filter assembly having '1' length filter element with micron rating code '05' at 200 L/min flow rate using a hydraulic fluid at 46 cSt viscosity & specific gravity (sp.gr.)0.8.

$\Delta P$ Assembly	=	$\Delta P$ Housing	+	$\Delta P$ Element
	=	Housing factor from graph $\times \text{sp.gr.}(\text{actual})/0.9$	+	Flow Rate (Lpm) $\times$ Element 'K' factor (bar/lpm) $\times$ [ actual cSt / 32 ] $\times$ [Sp.Gr(actual) / 0.9]
	=	0.05 $\times$ 0.8/0.9	+	200 $\times$ 0.001 $\times$ 46/32 $\times$ 0.8/0.9
	=	0.044	+	0.25
	=	<b>0.44 bar</b>		

Items not in bold are non-standard and may have a longer lead time

# Return Line Filters

## OFR30 Series

Flows to 115 L/min (30 USgpm)  
Pressures to 40 bar (600 psi)

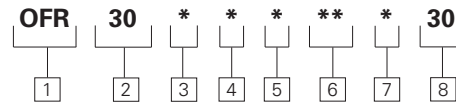


### Features and Benefits

- OFR-30 conforms to HF3 specifications
- Flows to 115 L/min (30 USgpm)
- Visual indicator is standard
- Electrical indicator also available
- Bypass valve is standard
- Replacement elements available in C-Pak

### DESIGN SPECIFICATIONS

<b>Rated flow:</b>	115 L/min (30 US gpm)	
<b>Fluid compatibility:</b>	Compatible with most petroleum oil, oil-in-water and water-in-oil fluids.	
<b>Temp range:</b>	-40°C to +107°C (- 40°F to +225°F)	
<b>Pressure rating:</b>	Operating	40 bar (600 psi)
<b>Bypass setting:</b>	1.7 bar (25 psi)	
<b>Material:</b>	Head Bowl	Die cast aluminum Carbon steel
<b>Dry weight:</b> (Approximate)	5,4 kg (12lbs)	



### OFR30 Series Filter and Element Model Code

**Sample model code:**  
OFR30SBC03M30

#### 1 Filter Type - OFR

#### 2 Flow Capacity

**30** - 115 L/min (30 USgpm)

#### 3 Port Options

**B** - G1 (formerly 1" BSPF) thread  
**F** - 1" SAE 4-bolt flange Code 61  
**S** - 1.3125-12 UN SAE-16 straight thread 1" O.D. tube

#### 4 Seal Material

**B** - Buna  
**V** - Viton

#### 5 Element Construction

**C** - C-Pak (code 03, 05 10, 20)  
**X** - no element

#### 6 Fluid Cleanliness Rating

Code	Target Fluid cleanliness level
<b>03</b>	<b>16/14/12</b>
<b>05</b>	<b>18/16/14</b>
<b>10</b>	<b>20/18/15</b>
<b>20</b>	<b>22/19/16</b>
<b>XX</b>	<b>no element</b>

#### 7 Delta Indicator Options

**M** - Mechanical 1.7 bar (25psi)  
**E** - Electrical 1.7 bar (25psi)

#### 8 Design

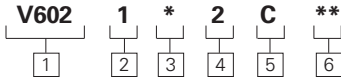
**30** - Standard Design

*Items not in bold are non-standard and may have a longer lead time*

# Return Line Filters

## OFR30 Series

Flows to 115 L/min (30 USgpm)  
Pressures to 40 bar (600 psi)



### V602 Element Model Codes

(Meets HF3 Specifications)

#### Sample model code:

V6021B2C03

#### 1 Filter Element -V602

#### 2 Element Collapse Rating

1 - 10 bar (150 psi) Low Collapse

#### 3 Seals

B - Buna-N  
V - Viton-A

#### 4 Element Length

mm (inch)  
2 - 203 (8) (HF3 length)

#### 5 Element Construction

C - C-Pak (code 03, 05, 10, 20)

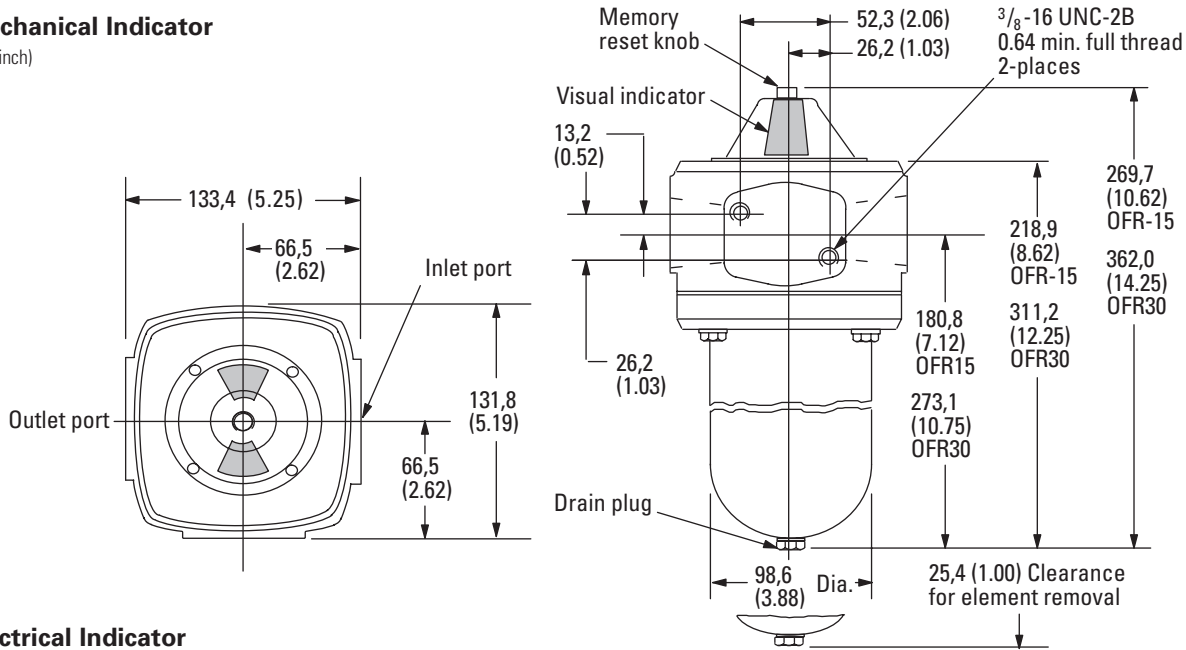
#### 6 Fluid Cleanliness Ratings

Code	Target fluid cleanliness level
03	16/14/12
05	18/16/14
10	20/18/15
20	22/19/16

## Housing Dimensions

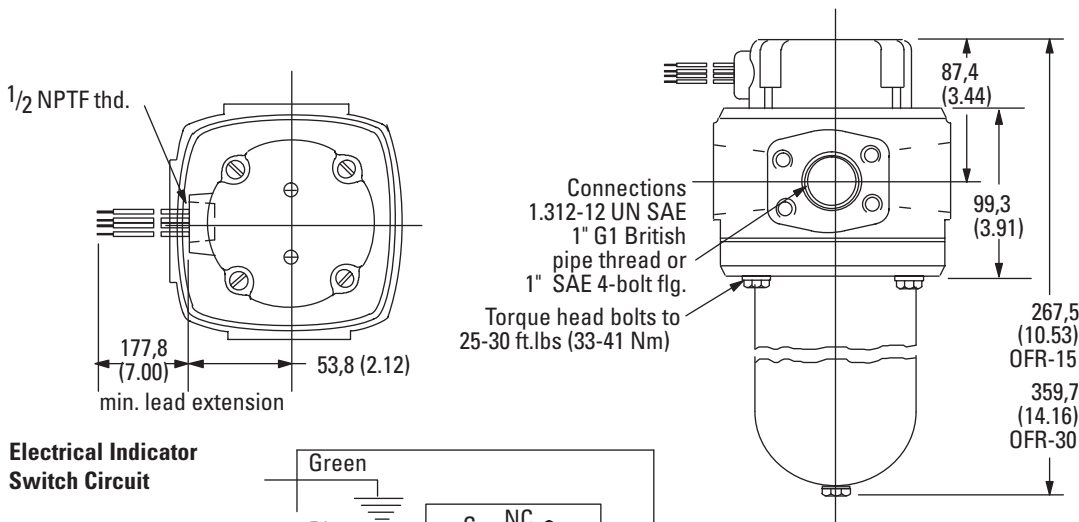
### Mechanical Indicator

mm (inch)

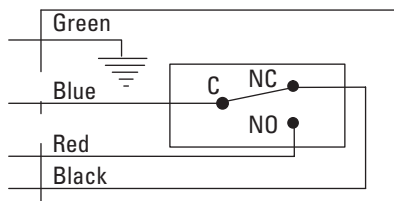


### Electrical Indicator

mm (inch)



### Electrical Indicator Switch Circuit



Items not in bold are non-standard and may have a longer lead time



# Return Line Filters

Flows to 115 L/min (30 USgpm)  
Pressures to 40 bar (600 psi)

## OFR 30 Series

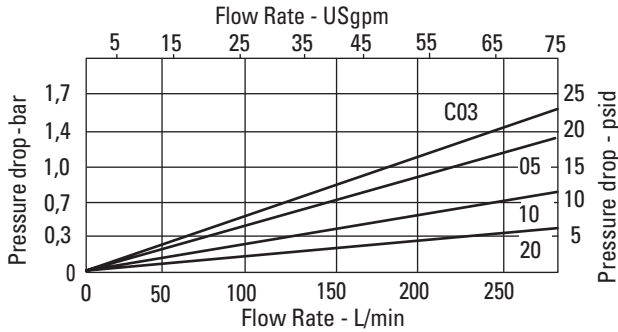
### Flow versus pressure drop:

150 SUS (32 cSt) oil with specific gravity of  $\leq 0.9$

### Flow Data

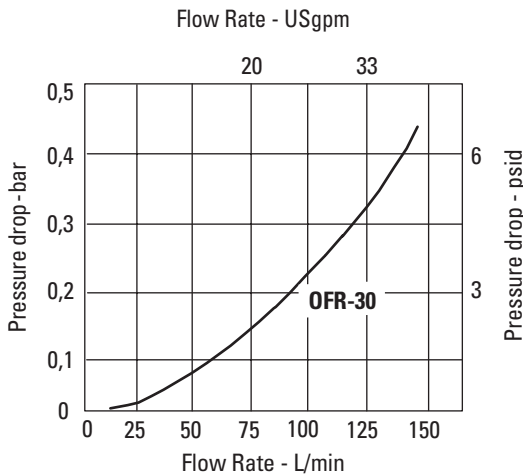
#### Element Flow Data

##### OFR30 C-Pak

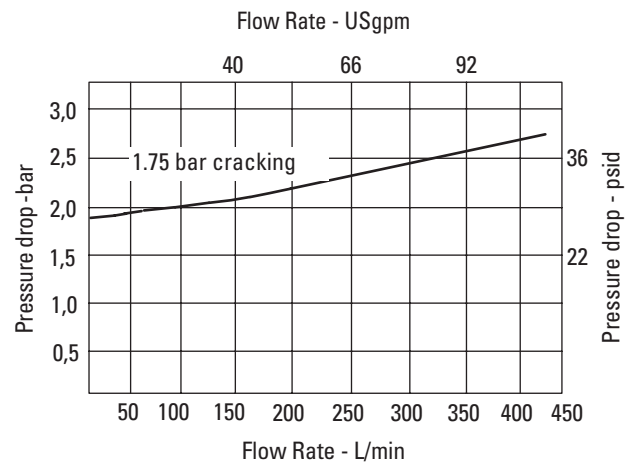


#### Housing/Bypass Valve Flow Data

##### Housing



##### Bypass Valve



#### Sample $\Delta P$ Calculation :

OFR30SBC03M30 - Filter assembly having filter element with micron rating code '03' at 100 L/min flow rate using a hydraulic fluid at 46 cSt viscosity & specific gravity (sp.gr.)0.8.

$\Delta P$ Assembly	=	$\Delta P$ Housing	+	$\Delta P$ Element
	=	Housing $\Delta P$ from graph $\times$ sp.gr.(actual)/0.9	+	Element $\Delta P$ valve from from graph(bar/lpm) $\times$ [ actual cSt / 32 ] $\times$ [Sp.Gr(actual) / 0.9]
	=	0.22 $\times$ 0.8/0.9	+	0.5 $\times$ 46/32 $\times$ 0.8/0.9
	=	0.193	+	0.632
	=	<b>0.83 bar</b>		

Items not in bold are non-standard and may have a longer lead time

# Return Line Filters

## OFR 60/120 Series

Flows to 450 L/min (120 USgpm)  
Pressures to 27 bar (400 psi)

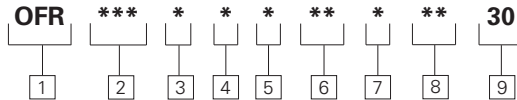


### Features and Benefits

- Visual indicator is standard
- Electrical indicator also available
- Bypass valve is standard
- Replacement elements available in C-Pak

### DESIGN SPECIFICATIONS

<b>Rated flow:</b>	OFR60 OFR120	225 L/min (60 USgpm) 450 L/min (120 USgpm)
<b>Fluid compatibility:</b>	Compatible with most petroleum oil, water glycol, oil-in-water and water-in-oil fluids.	
<b>Temp range:</b>	-40°C to +107°C (-40°F to +225°F)	
<b>Pressure rating:</b>	Operating	27 bar (400 psi)
<b>Material:</b>	Head Bowl	Die cast aluminum Carbon steel
<b>Dry weight:</b> (Approximate)	OFR60 OFR120	6,8 kg (15 lbs) 9,5 kg (21 lbs)



### OFR 60/120 Series Filter and Element Model Code

**Sample model code:**  
OFR060SBC03M2530

#### 1 Filter Type

**OFR** - Oil filter return line

#### 2 Flow Capacity

**060** - 227 L/min (60 USgpm)  
**120** - 454 L/min (120 USgpm)

#### 3 Port Options

**F** - 1-1/2" SAE 4-bolt flange  
Code 61  
**S** - 1.875-12 UN SAE-24  
straight thread for 1-1/2"  
O.D. tube

#### 4 Seal Material

**B** - Buna  
**V** - Viton

#### 5 Element Construction

**C** - C-Pak (code 03, 05 10, 20)  
**X** - no element

#### 6 Fluid cleanliness rating


Code	Target fluid cleanliness level
<b>03</b>	16/14/12
<b>05</b>	18/16/14
<b>10</b>	20/18/15
<b>20</b>	22/19/16
<b>XX</b>	no element

#### 7 P Indicator Options

**M** - Mechanical  
**E** - Electrical

#### 8 Bypass Setting

**25** - Bypass set at 1.7 bar (25 psi) Standard cracking pressure  
**35** - Bypass set at 2 bar (35 psi) cracking pressure  
**50** - Bypass set at 3 bar (50 psi) cracking pressure\*\*

\*\*  **CAUTION** Applications involving high flow surges may cause element collapse due to instantaneous pressure spikes.

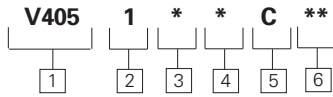
#### 9 Design

**30** - Standard Design

# Return Line Filters

Flows to 450 L/min (120 USgpm)  
Pressures to 27 bar (400 psi)

## OFR 60/120 Series



### V405 Element Model Code

(Meets HF4 Standard)

### Sample model code:

V4051B3C03

**1** Filter Element - V405

**2** Element Collapse Rating

**1** - 10 bar (150 psi)

**3** Seals

**B** - Buna-N

**V** - Viton-A

**4** Element Length

mm (inch)

**3** - 229 (9) (Use in OFR-60)\*

**6** - 457 (18) (Use in OFR-120)

**5** Element Construction

**C** - C-Pak (code 03, 05, 10, 20)

**6** Fluid Cleanliness Rating

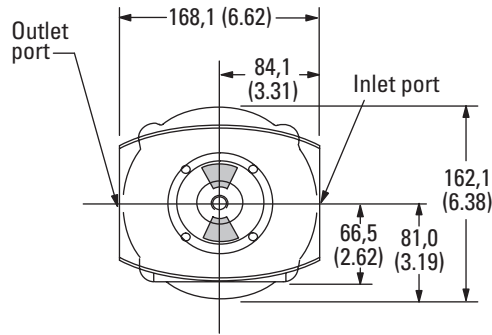
Code	Target fluid cleanliness level
<b>03</b>	<b>16/14/12</b>
<b>05</b>	<b>18/16/14</b>
<b>10</b>	<b>20/18/15</b>
<b>20</b>	<b>22/19/16</b>

\*NOTE: Two 9 inch elements and a P-227567-01 reusable connector can also be used in the OFR-120 housing. This arrangement meets HF4 specifications.

## Housing Dimensions

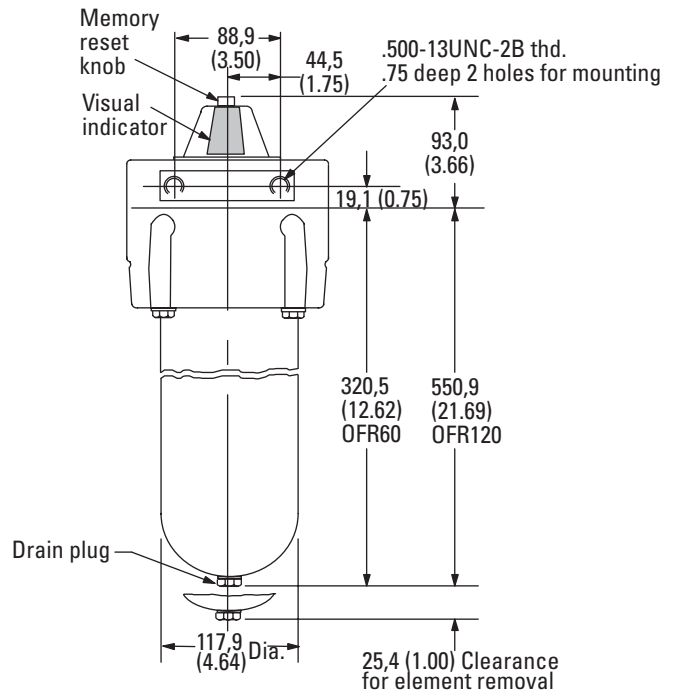
### Mechanical Indicator

mm (inch)



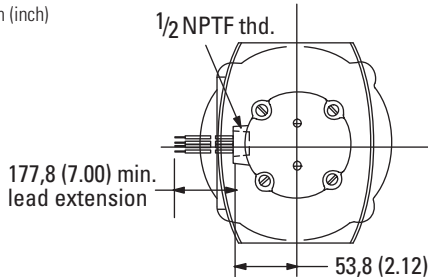
Note:

Plastic plug, part number 737365, is installed in the filter element to close the end of the element. When servicing element, remove and retain plastic plug 737365. Install new element with plastic plug on bottom.

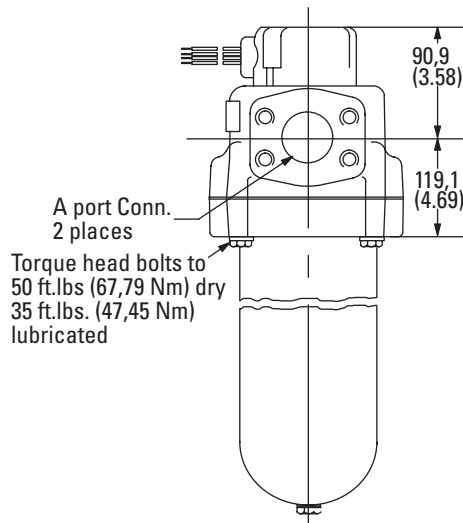
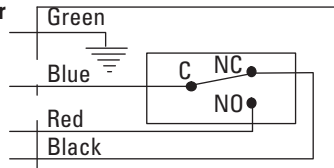


### Electrical Indicator

mm (inch)



### Electrical Indicator Switch Circuit



Items not in bold are non-standard and may have a longer lead time

# Return Line Filters

Flows to 450 L/min (120 USgpm)  
Pressures to 27 bar (400 psi)

## OFR 60/120 Series

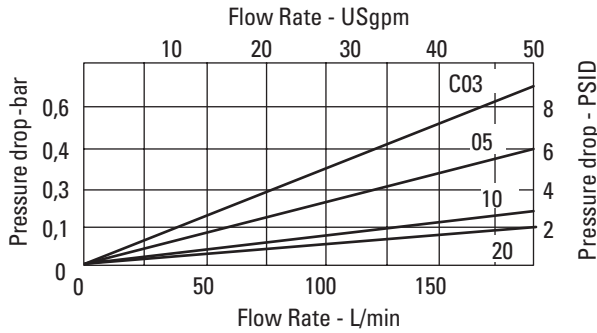
### Flow versus pressure drop:

150 SUS (32 cSt) oil with specific gravity of  $\leq 0.9$

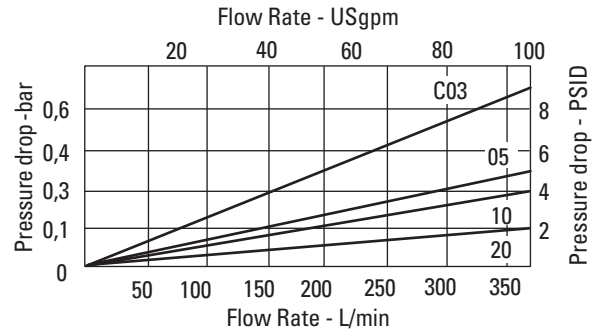
### Flow Data

#### Element Flow Data

##### OFR60 C-Pak Element

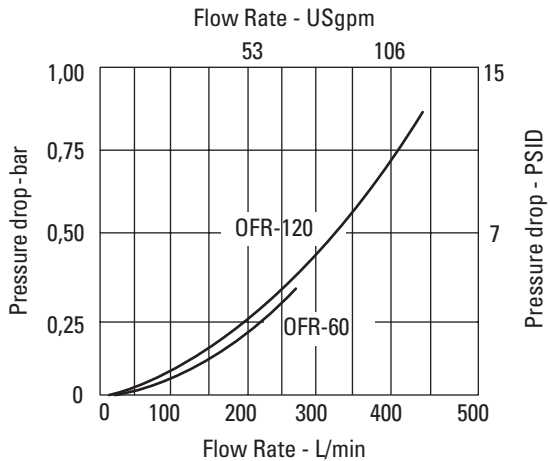


##### OFR120 C-Pak Element

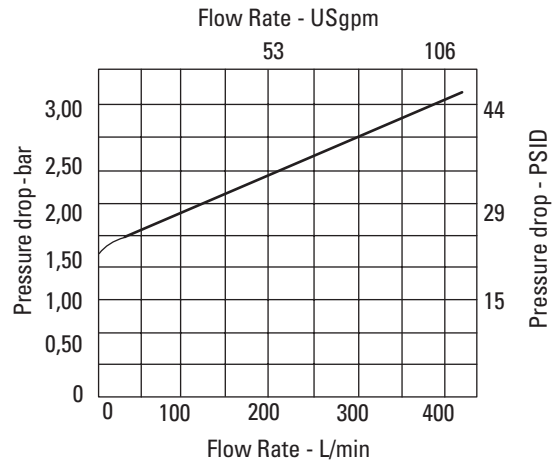


#### Housing/Bypass Valve Flow Data

##### Housing



##### Bypass Valve



#### Sample $\Delta P$ Calculation :

OFR060SBC03M2530 - Filter assembly having a filter element with micron rating code '03' at 200 L/min flow rate using a hydraulic fluid at 46 cSt viscosity & specific gravity (sp.gr.)0.8.

$\Delta P$ Assembly	=	$\Delta P$ Housing	+	$\Delta P$ Element
	=	Housing $\Delta P$ from graph $\times$ sp.gr.(actual)/0.9	+	Element $\Delta P$ valve from from graph(bar/lpm) $\times$ [ actual cSt / 32 ] $\times$ [Sp.Gr(actual) / 0.9]
	=	0.2 $\times$ 0.8/0.9	+	0.7 $\times$ 46/32 $\times$ 0.8/0.9
	=	0.170	+	0.885
	=	<b>1.07 bar</b>		

Items not in bold are non-standard and may have a longer lead time



# Return Line Filters

## DLR DIN Series Filters

Flows to 400 L/min (106 USgpm)  
Pressures to 25 bar (363 psi)

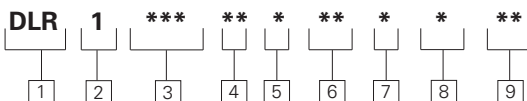


### Features and Benefits

- Beta Ratio:  $\beta_{X(c)} = 1000$  to ISO 16889
- Visual, electrical and electrical indicators with light options for system design flexibility
- Fully serviceable without tools
- Zero leak by-pass valve construction
- Wide range of element lengths for maximum design flexibility
- High efficiency replacement elements in standard configurations (C-Pak) to meet Target Cleanliness Levels

### DESIGN SPECIFICATIONS

<b>Rated flow:</b>	160 250 400	160 L/min (42.2 USgpm) 250 L/min (66.0 USgpm) 400 L/min (105.7 USgpm)
<b>Fluid compatibility:</b>	Compatible with most petroleum oil, oil-in-water and water-in-oil fluids. Optional seals available for phosphate esters	
<b>Temp range:</b>	-30°C to +100°C (-22°F to +212°F)	
<b>Pressure rating:</b>	Operating	25 bar (363 psi)
<b>Material:</b>	Aluminum	
<b>Dry weight:</b>	160 250 400	4,3 kg (9.5 lbs) 4,9 kg (10.8 lbs) 5,9 kg (13.0 lbs)



### DLR Series Filter

#### Sample model code:

DLR1160BE6ANBC03

#### 1 Filter Series

**DLR** - DIN Low Pressure Return

#### 2 Element Collapse Rating

**1** - Low Collapse

#### 3 Nominal Size

**160** - 160L/min (42.2USgpm)  
**250** - 250L/min (66.0USgpm)  
**400** - 400L/min (105.7USgpm)

#### 4 Port Size

**BE** - G 1-1/4 (Length 160 only)  
**BF** - G 1-1/2 (Length 250 only)  
**BK** - 1-1/2" SAE Flange Code 61 with M16 bolts (DN38) (Length 400 only)

#### 5 Valve Options

**1** - Non-Bypass  
**6** - 7 Bar (100 psi)

#### 6 Indicator Options

**AN** - Visual 4.9 bar (70 psi) No Connector  
**JN** - No Indicator, No Connector  
**TH** - Electrical 4.9 bar (70 psi) Hirschmann

#### 7 Seal Material

**B** - Buna-N  
**V** - Viton-A

#### 8 Element Construction

**C** - Standard Construction  
**X** - no element

#### 9 Fluid Cleanliness Rating

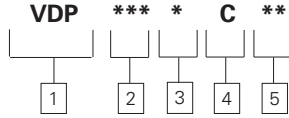
Code	Target fluid cleanliness level
<b>03</b>	16/14/12 or better
<b>06</b>	18/16/14 or better
<b>10</b>	20/18/15 or better
<b>25</b>	22/19/16 or better
<b>XX</b>	no element

Items not in bold are non-standard and may have a longer lead time

# Return Line Filters

Flows to 400 L/min (106 USgpm)  
Pressures to 25 bar (363 psi)

## DLR DIN Series Filters



### Element model code

Sample model code:

VDP160BC06

**1 Filter Element**  
VDP - DIN Standard Element

**2 Nominal Size - Flow Assembly Length**  
**160** - 160L/min (42.2USgpm)  
297mm(11.7")  
**250** - 250L/min (66.0USgpm)  
375mm(14.8")  
**400** - 400L/min  
(105.7USgpm)  
525mm(20.7")

**3 Seal Material**  
**B** - Buna-N  
**V** - Viton-A

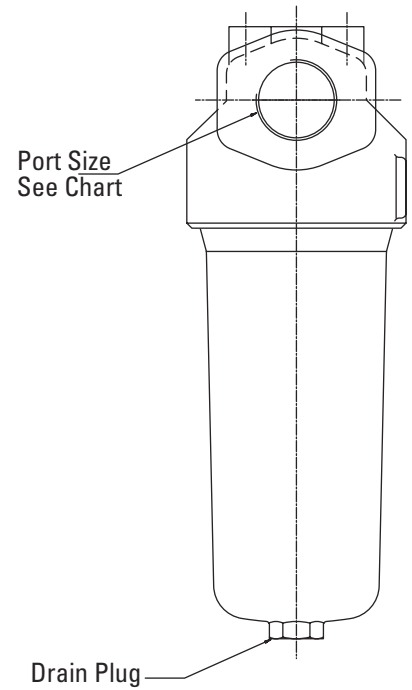
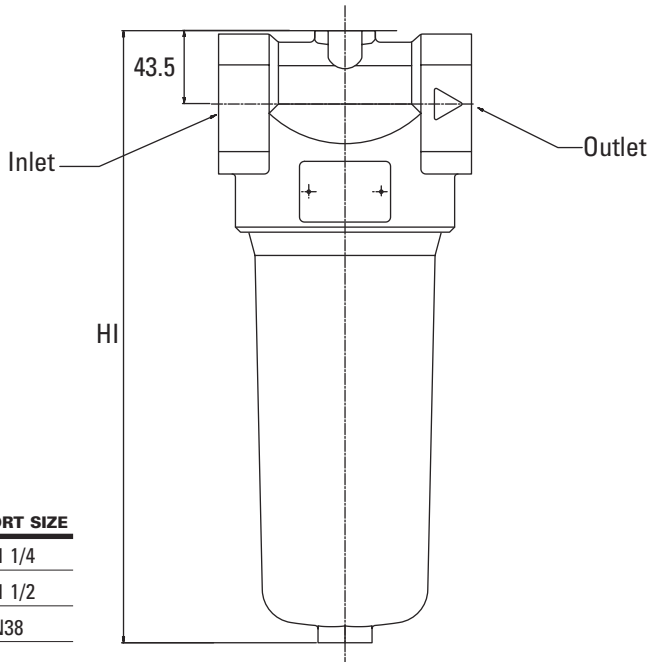
**4 Element Construction**  
**C** - Standard Construction

**5 Fluid Cleanliness Rating**

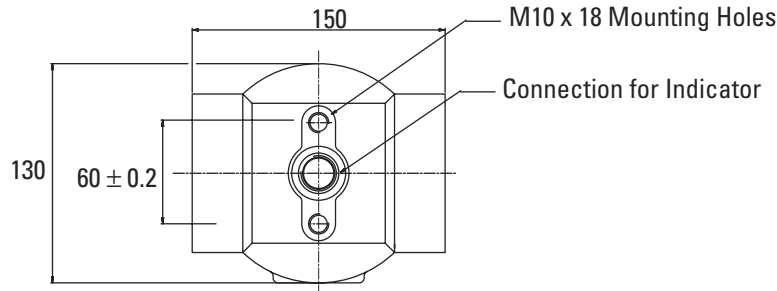
Code	Target fluid cleanliness level
<b>03</b>	16/14/12 or better
<b>06</b>	18/16/14 or better
<b>10</b>	20/18/15 or better
<b>25</b>	22/19/16 or better

### DLR Housing

Dimensions in mm



TYPE	HI	PORT SIZE
DLR 160	285	G 1 1/4
DLR 250	363	G 1 1/2
DLR 400	513	DN38



Items not in bold are non-standard and may have a longer lead time

# Return Line Filters

Flows to 400 L/min (106 USgpm)  
Pressures to 25 bar (363 psi)

## DLR DIN Series Filters

### DLR DIN Filter Elements Flow Data

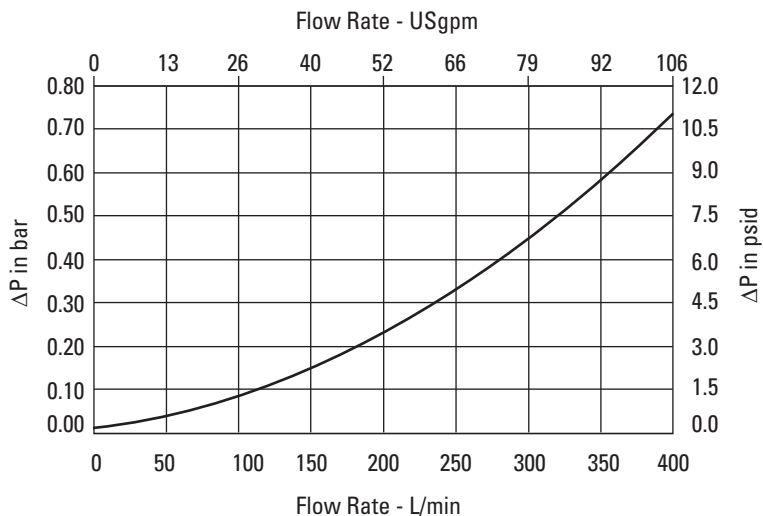
'K' factor - bar/lpm (psi/gpm)

ELEMENT TYPE / SIZE	MICRON RATING				
	03	6	10	25	
C -pak	160	0.013 (0.717)	0.009 (0.479)	0.005 (0.252)	0.004 (0.193)
	250	0.005 (0.275)	0.003 (0.178)	0.002 (0.111)	0.001 (0.091)
	400	0.003 (0.178)	0.002 (0.111)	0.001 (0.073)	0.001 (0.055)

Note: For flow in gpm, use the values inside the brackets.

Note: The values for bar/lpm have been rounded to the third decimal.

### DLR 160/250/400 Housing



### Sample ΔP Calculation :

DLR1160BE6ANBC03 - Filter assembly having '160' size filter element with micron rating code '03' at 100 L/min flow rate using a hydraulic fluid at 46 cSt viscosity & specific gravity (sp.gr.)0.8.

<b>ΔP Assembly</b>	=	ΔP Housing	+	ΔP Element
	=	Housing factor from graph x sp.gr.(actual)/0.9	+	Flow Rate (Lpm) x Element 'K' factor (bar/lpm) x [ actual cSt / 32 ] x [Sp.Gr(actual) / 0.9]
	=	0.8x 0.8/0.9	+	100 x 0.013 x 46/32 x 0.8/0.9
	=	0.700	+	1.65
	=	<b>2.35 bar</b>		

*Items not in bold are non-standard and may have a longer lead time*

# Return Line Filters

## LND Duplex

Flows to 400 L/min (105 USgpm)  
Pressures to 25 bar (360 psi)

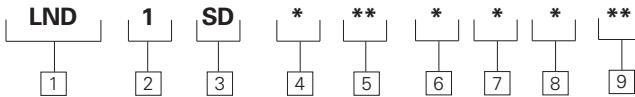


### Features and Benefits

- Beta Ratio:  $\beta_{x(c)} = 1000$  to ISO 16889
- Lightweight duplex filter constructed of aluminum
- Aluminum alloy is water tolerant - anodization is not required for high water based fluids (HWBF)
- The screw-in bowl allows the filter element to be easily removed for replacement or cleaning
- The standard model is supplied with vent and drain plugs and also a connection for differential clogging indicator

### DESIGN SPECIFICATIONS

<b>Rated flow:</b>	Length 1	160 L/min (42 USgpm)
	Length 2	250 L/min (66 USgpm)
	Length 4	400 L/min (105 USgpm)
<b>Fluid compatibility:</b>	Compatible with all petroleum oils and synthetic fluids rated for use with Fluoro-Rubber or Ethylene Propylene seals.	
<b>Temp range:</b>	-30°C to + 121°C (-22°F to 250°F)	
<b>Pressure rating:</b>	Operating	25 bar (360 psi)
	Fatigue	25 bar (360 psi)
<b>Material:</b>	Aluminum	
<b>Dry weight:</b> (Approximate)	Length 1	10,3 kg (22.7 lbs)
	Length 2	11,6 kg (25.6 lbs)
	Length 4	13,0 kg (28.7 lbs)



### LND Series Filter and Element Model Code

#### Sample model code:

LND1SD7ANV2C05

#### 1 Filter Series - LND

#### 2 Element Collapse Rating

1 - 250 psi Low Collapse

#### 3 Port Options

SD - 1.875 - 12 UN SAE - 24 Straight thread

#### 4 Valve Options

- 1 - Non-Bypass
- 4 - Bypass set at 2.9 bar (43 psi) cracking pressure
- 7 - Bypass set at 7 bar (102 psi) cracking pressure

#### 5 Indicator Options

- AN - Visual 4.9 bar (70 psi) No Connector
- JN - No Indicator (plug), No Connector
- LN - Visual 2 bar (30 psi) No Connector
- RB - Electrical 2 bar (30 psi) Brad Harrison
- RH - Electrical 2 bar (30 psi) Hirschmann

RJ - Electrical 2 bar (30 psi) Hirschmann w 24 volt light

RK - Electrical 2 bar (30 psi) Hirschmann w 115 volt light

RL - Electrical 2 bar (30 psi) Hirschmann w 230 volt light

UB - Electrical 4.9 bar (70 psi) Brad Harrison

UH - Electrical 4.9 bar (70 psi) Hirschmann

UJ - Electrical 4.9 bar (70 psi) Hirschmann w 24 volt light

UK - Electrical 4.9 bar (70 psi) Hirschmann w 115 volt light

UL - Electrical 4.9 bar (70 psi) Hirschmann w 230 volt light

#### 6 Seal Material

- B - Buna-N
- V - Viton-A

#### 7 Assembly Length

- mm (inch)
- 1 - 297 (11.7")
- 2 - 375 (14.8")
- 4 - 525 (20.7)

#### 8 Element Construction

- C - Standard Construction
- X - no element

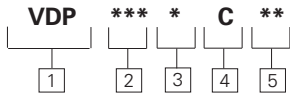
#### 9 Fluid Cleanliness Rating

Code	Target fluid cleanliness level
03	16/14/12 or better
05	18/16/14 or better
10	20/18/15 or better
20	22/19/16 or better
XX	no element

# Return Line Filters

## LND Duplex

Flows to 400 L/min (105 USgpm)  
Pressures to 25 bar (360 psi)



### Element model code

#### Sample model code:

VDP160BC06  
(2 elements required)

### Housing Dimensions

mm (inch)

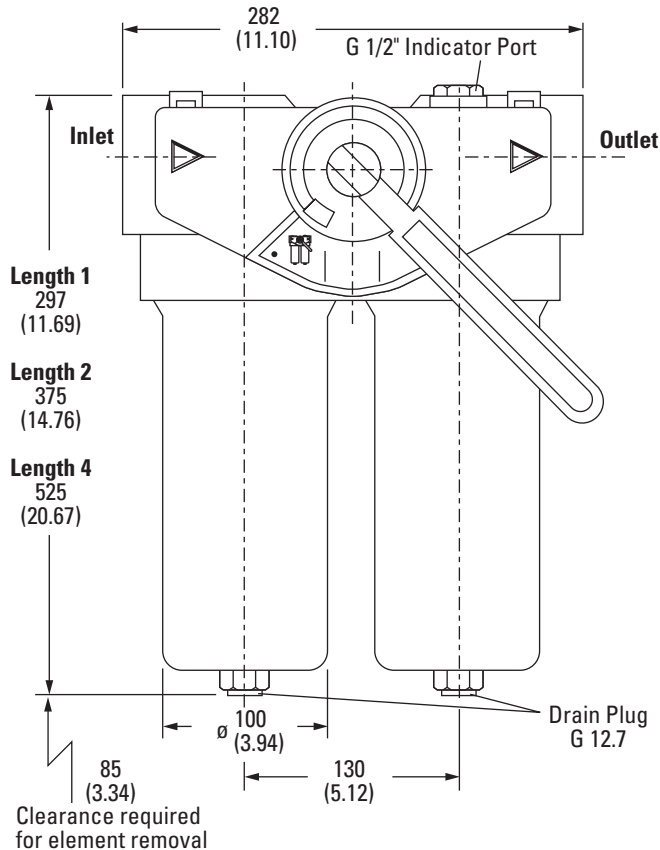
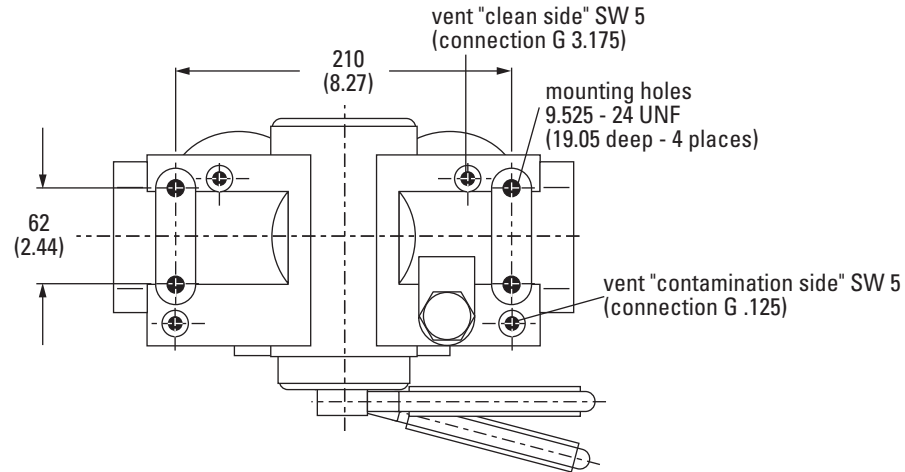
**1 Filter Element**  
VDP - DIN Standard Element

**2 Nominal Size - Flow Assembly Length**  
**160** - 160L/min (42.2USgpm)  
297mm(11.7")  
**250** - 250L/min (66.0USgpm)  
375mm(14.8")  
**400** - 400L/min  
(105.7USgpm)  
525mm(20.7")

**3 Seal Material**  
**B** - Buna-N  
**V** - Viton-A

**4 Element Construction**  
**C** - Standard Construction

5 Fluid Cleanliness Rating	
Code	Target fluid cleanliness level
<b>03</b>	16/14/12 or better
<b>06</b>	18/16/14 or better
<b>10</b>	20/18/15 or better
<b>25</b>	22/19/16 or better



Items not in bold are non-standard and may have a longer lead time



# Return Line Filters

## LND Duplex

### Flow Data

Flows to 400 L/min (105 USgpm)  
Pressures to 25 bar (360 psi)

#### Flow versus pressure drop:

150 SUS (32 cSt) oil with specific gravity of  $\leq 0.9$

### LND Filter Elements Flow Data

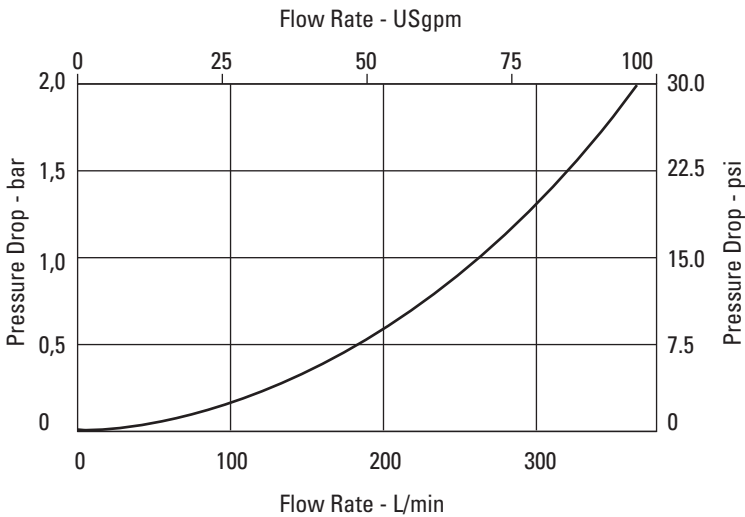
'K' factor - bar/lpm (psi/gpm)

ELEMENT TYPE / SIZE		MICRON RATING			
		03	05	10	25
C -pak	1	0.013 (0.717)	0.009 (0.479)	0.005 (0.252)	0.004 (0.193)
	2	0.005 (0.275)	0.003 (0.178)	0.002 (0.111)	0.001 (0.091)
	4	0.003 (0.178)	0.002 (0.111)	0.001 (0.073)	0.001 (0.055)

Note: For flow in gpm, use the values inside the brackets.

Note: The values for bar/lpm have been rounded to the third decimal.

### Housing/Bypass Valve Flow Data



**Sample  $\Delta P$  Calculation :** LND1SD1ANV2C05 - Filter assembly having '2' length filter element with micron rating code '05' at 100 L/min flow rate using a hydraulic fluid at 46 cSt viscosity & specific gravity (sp.gr.)0.8.

<b><math>\Delta P</math> Assembly</b>	=	$\Delta P$ Housing	+	$\Delta P$ Element
	=	Housing factor from graph $\times \text{sp.gr.}(\text{actual})/0.9$	+	Flow Rate (Lpm) $\times$ Element 'K' factor (bar/lpm) $\times$ [ actual cSt / 32 ] $\times$ [Sp.Gr(actual) / 0.9]
	=	$0.2 \times 0.8/0.9$	+	$100 \times 0.003 \times 46/32 \times 0.8/0.9$
	=	0.170	+	0.38
	=	<b>0.55 bar</b>		

Items not in bold are non-standard and may have a longer lead time

# Notes

*Items not in bold are non-standard and may have a longer lead time*

# In-tank Filters

## General Data

In-tank filters are a special type of low pressure return line filters. In-tank filters are mounted directly to the reservoir tank top and have an accessible head that is located outside of the reservoir while the body of the housing is located inside the reservoir. The exposed cover allows the element to be easily replaced as needed.

The filter housing may be equipped with diffusers to ensure that the returning oil energy is gradually dissipated within the reservoir fluid to minimize the potential for aerating or foaming of the oil. In addition, the diffuser helps direct the fluid outward against the walls of the reservoir to aid in the heat transfer capability of the reservoir.

## Applications

- Forestry harvesting equipment such as delimiters and feller bunchers
- Injection molding or blow molding equipment
- Offshore drilling platform power units
- Machine tools
- Die cast machines



*Items not in bold are non-standard and may have a longer lead time*

# In-tank Filters

## OFMT020 Series

Flows to 50 L/min (13.2 USgpm)  
Pressures to 7 bar (100 psi)

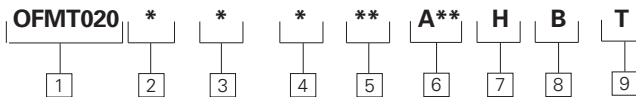


### Features and Benefits

- High efficiency filter elements with superior dirt-holding capacity designed for return lines and installed semi-immersed in a reservoir
- Excellent pressure drop characteristics
- P indicator options for flexibility in system design
- Bowl length options for design flexibility
- Easy element changes
- Bypass valve prevents excessive pressure drop and prevents element collapse and release of retained contaminants back into hydraulic system
- Designed to comply with ISO standards

### DESIGN SPECIFICATIONS

<b>Rated flow:</b>	Length 1	30 L/min (7.9 USgpm)
	Length 2	35 L/min (9.2 USgpm)
	Length 3	50 L/min (13.2 USgpm)
<b>Fluid compatibility:</b>	Compatible with most petroleum oil, water glycol, oil-in-water and water-in-oil fluids	
<b>Temp range:</b>	-25°C to +110°C (-13°F to +230°F)	
<b>Pressure rating:</b>	Operating	7 bar (100 psi)
	Fatigue	7 bar (100 psi)
<b>Material:</b>	Head	Die Cast Aluminum
	Cover	Nylon
	Bowl	Nylon
<b>Dry weight:</b> (Approximate)	Length 1	0,3 kg. (0.66 lbs.)
	Length 2	0,4 kg. (0.88 lbs.)
	Length 3	0,5 kg. (1.10 lbs.)



### OFMT 020 Series Filter and Element Model Code

#### Sample model code:

OFMT0201SAG7A06HBT

#### [1] Filter Series - OFMT020

#### [2] Assembly Length

mm (inch)

- 1** - 102 (4.0)
- 2** - 165 (6.5)
- 3** - 210 (8.3)

#### [3] Breather Options

- S** - No breather
- C** - 10 µm breather
- M** - 40 µm breather

#### [4] Seal Material

- A** - Buna-N
- V** - Viton-A

#### [5] Port Options

- G1 - G 3/8 to ISO 228
- G2 - G 1/2 to ISO 228
- G4 - 3/8" NPT
- G5 - 1/2" NPT
- G7 - 0.5625 - 18 UN SAE-6  
Straight thread
- G8** - 0.75 - 16 UN SAE-8  
Straight thread

#### [6] Fluid Cleanliness Rating

Code	cleanliness level
<b>A03</b>	16/14/12 or better
<b>A06</b>	18/16/14 or better
<b>A10</b>	20/18/15 or better

#### [7] Element Collapse Rating

**H** - 10 bar (150 psi)

#### [8] Valve Options

**B** - Bypass set at 1.7 bar  
(25 psi) cracking pressure

#### [9] Indicator Options

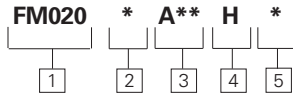
**T** - No Indicator (plug),  
No Connector

Items not in bold are non-standard and may have a longer lead time

# In-tank Filters

## OFMT020 Series

Flows to 50 L/min (13.2 USgpm)  
Pressures to 7 bar (100 psi)



### Element model code

#### Sample model code:

FM0202A06HA

**1** Filter Element - FM 020

**2** Assembly Length

mm (inch)  
**1** - 102 (4.0)  
**2** - 165 (6.5)  
**3** - 210 (8.3)

**3** Fluid Cleanliness Rating

**Code** **Target fluid cleanliness level**

**A03** 16/15/12 or better

**A06** 18/16/14 or better

**A10** 19/17/14 or better

**4** Element Collapse Rating

**H** - 10 bar (150 psi)

**5** Seal Material

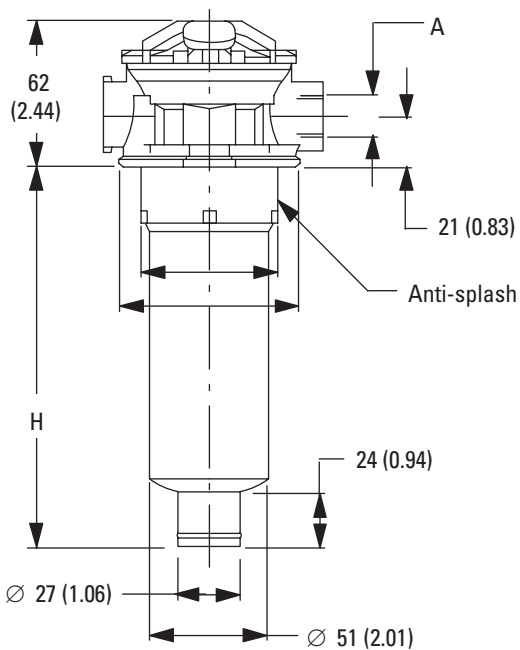
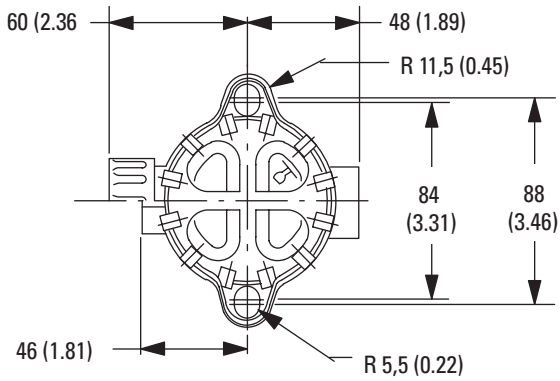
**A** - Buna-N

**V** - Viton-A

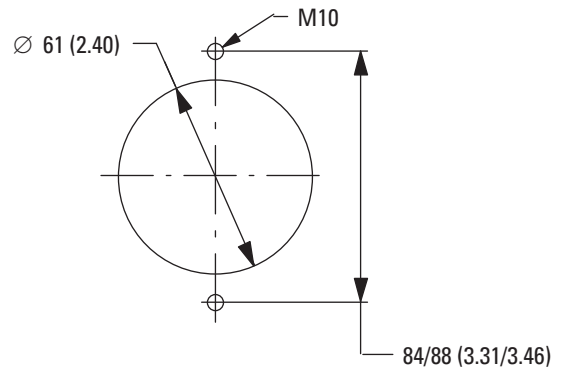
Note: Element comes with bypass set at 25 psi cracking pressure

### Housing Dimensions

mm (inch)



### Holes required on tank



Items not in bold are non-standard and may have a longer lead time



# In-tank Filters

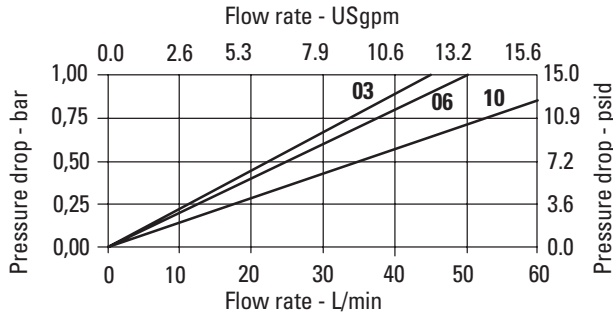
## OFMT020 Series

Flows to 50 L/min (13.2 USgpm)  
Pressures to 7 bar (100 psi)

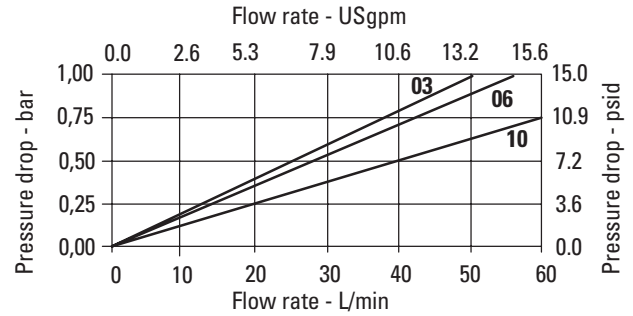
### Flow Data

#### Element Flow Data

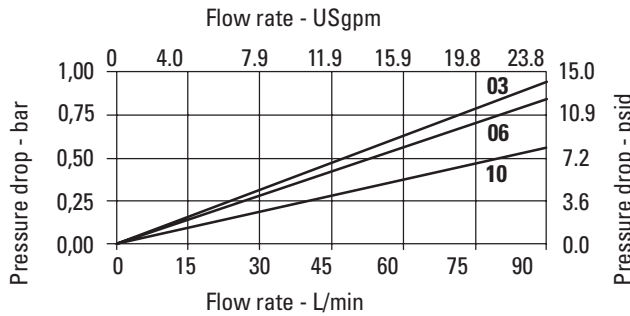
##### OFMT020 H-Pak Length 1



##### OFMT020 H-Pak Length 2

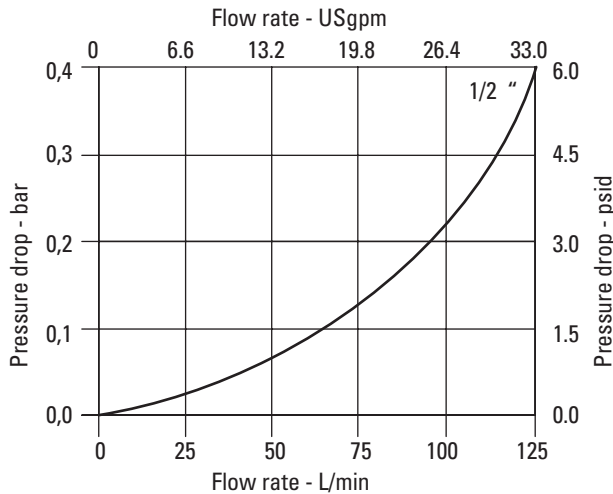


##### OFMT020 H-Pak Length 3



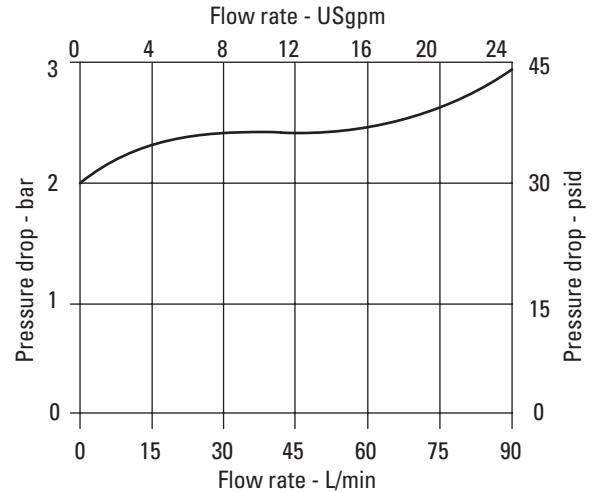
#### Housing/Bypass Valve Flow Data

##### Housing



##### Bypass Valve

Based on mineral oil with density of 0,86 kg/dm  
 $\Delta P$  varies proportionally to density.



#### Sample $\Delta P$ Calculation :

OFMT0201SAG7A06HBT - Filter assembly having filter element with micron rating code '06' at 25 L/min flow rate using a hydraulic fluid at 46 cSt viscosity & specific gravity (sp.gr.)0.8.

$\Delta P$ Assembly	=	$\Delta P$ Housing	+	$\Delta P$ Element
	=	Housing $\Delta P$ from graph $\times$ sp.gr.(actual)/0.9	+	Element $\Delta P$ valve from from graph(bar/lpm) $\times$ [ actual cSt / 32 ] $\times$ [Sp.Gr(actual) / 0.9]
	=	0.02 $\times$ 0.8/0.9	+	0.5 $\times$ 46/32 $\times$ 0.8/0.9
	=	0.017	+	0.632
	=	<b>0.65 bar</b>		

# In-tank Filters

## OFMT100 Series

Flows to 70 L/min (18.5 USgpm)  
Pressures to 7 bar (100 psi)

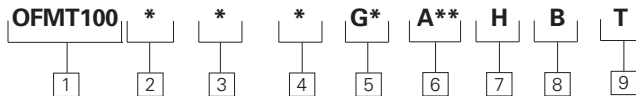


### Features and Benefits

- High efficiency filter elements with superior dirt-holding capacity designed for return lines and installed semi-immersed in a reservoir
- Excellent pressure drop characteristics
- P indicator options for flexibility in system design
- Bowl length options for design flexibility
- Easy element changes
- Bypass valve prevents excessive pressure drop and prevents element collapse and release of retained contaminants back into hydraulic system
- Designed to comply with ISO standards

### DESIGN SPECIFICATIONS

<b>Rated flow:</b>	Length 1	35 L/min (9.2 USgpm)
	Length 2	45 L/min (11.9 USgpm)
	Length 3	70 L/min (18.5 USgpm)
<b>Fluid compatibility:</b>	Compatible with most petroleum oil, water glycol, oil-in-water and water-in-oil fluids	
<b>Temp range:</b>	-25°C to +110°C (-13°F to +230°F)	
<b>Pressure rating:</b>	Operating	7 bar (100 psi)
	Fatigue	7 bar (100 psi)
<b>Material:</b>	Head	Die Cast Aluminum
	Cover and Bowl	Nylon
<b>Dry weight:</b> (Approximate)	Length 1	0,3 kg. (0.66 lbs.)
	Length 2	0,4 kg. (0.88 lbs.)
	Length 3	0,5 kg. (1.10 lbs.)



### OFMT 100 Series Filter and Element Model Code

#### Sample model code:

OFMT1001SAG7A06HBT

#### [1] Filter Series - OFMT 100

#### [2] Assembly Length

mm (inch)

- 1** - 102 (4.0)
- 2** - 145 (5.7)
- 3** - 225 (8.9)

#### [3] Breather Options

- S** - No breather
- C** - 10 µm breather
- M** - 40 µm breather

#### [4] Seal Material

- A** - Buna-N
- V** - Viton-A

#### [5] Port Options

- G1 - G 3/4 to ISO 228
- G2 - G 1 to ISO 228
- G3 - G 1-1/4 to ISO 228
- G4 - 3/4" NPT
- G5 - 1" NPT
- G6** - 1.0625 - 12 UN SAE -  
12 Straight thread
- G7 - 1.3125 - 12 UN SAE -  
16 Straight thread
- G8 - 1.625 - 12 UN SAE -  
20 Straight thread

#### [6] Fluid Cleanliness Rating

Code	cleanliness level
<b>A03</b>	16/14/12 or better
<b>A06</b>	18/16/14 or better
<b>A10</b>	20/18/15 or better

#### [7] Element Collapse Rating

- H** - 10 bar (150 psi)

#### [8] Valve Options

- B** - Bypass set at 1.7 bar  
(25 psi) cracking pressure

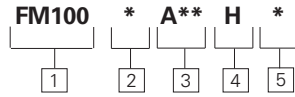
#### [9] Indicator Options

- T** - No Indicator (plug), No  
Connector

# In-tank Filters

## OFMT100 Series

Flows to 70 L/min (18.5 USgpm)  
Pressures to 7 bar (100 psi)



### Element model code

**1** Filter Element - FM 100

**2** Assembly Length

mm (inch)

**1** - 102 (4.0)

**2** - 145 (5.7)

**3** - 225 (8.9)

**3** Fluid Cleanliness Rating

Code Target fluid cleanliness level

**A03** 16/15/12 or better

**A06** 18/16/14 or better

**A10** 19/17/14 or better

**4** Element Collapse Rating

**H** - 10 bar (150 psi)

**5** Seal Material

**A** - Buna-N

**V** - Viton-A

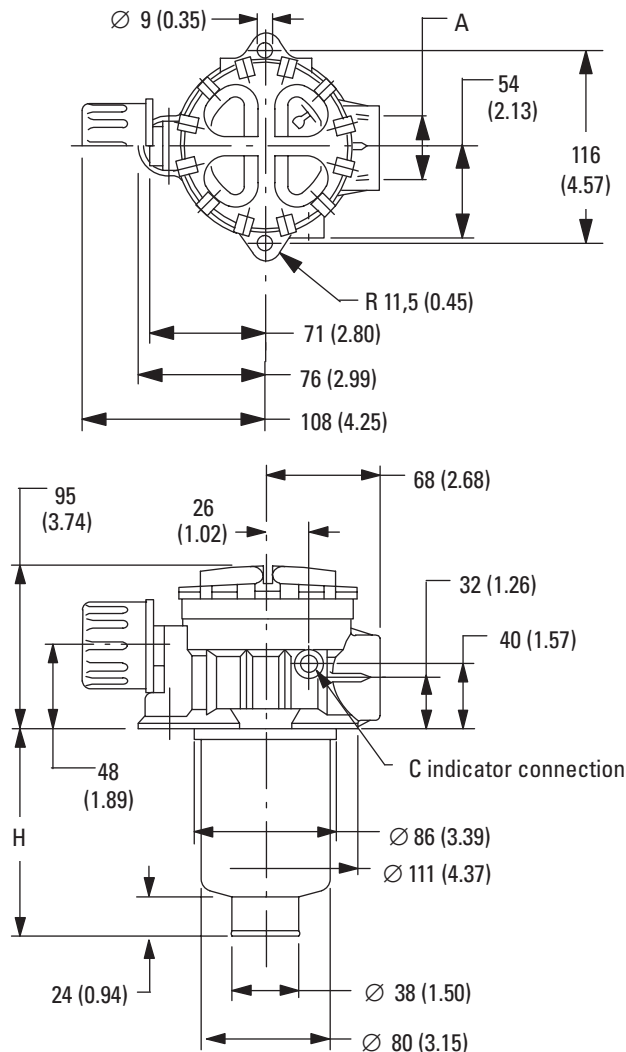
Note: Element comes with bypass set at 25 psi cracking pressure

### Sample model code:

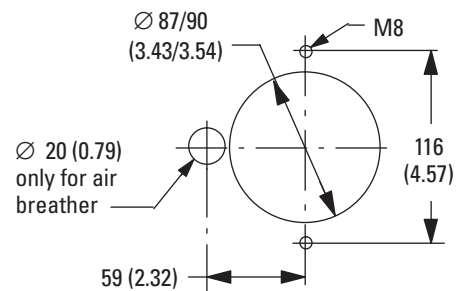
FM1002A06HA

### Housing Dimensions

mm (inch)



### Holes required on tank



Items not in bold are non-standard and may have a longer lead time

# In-tank Filters

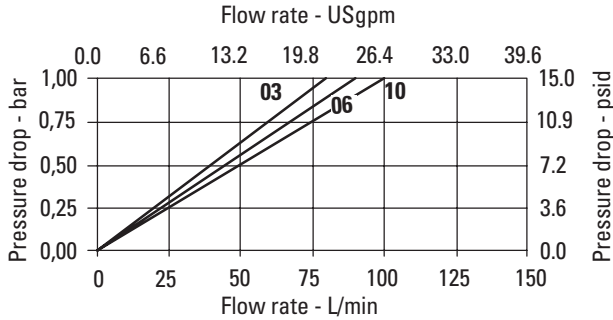
## OFMT100 Series

Flows to 70 L/min (18.5 USgpm)  
Pressures to 7 bar (100 psi)

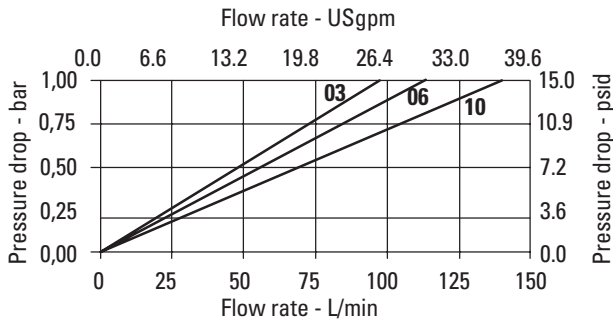
### Flow Data

#### Element Flow Data

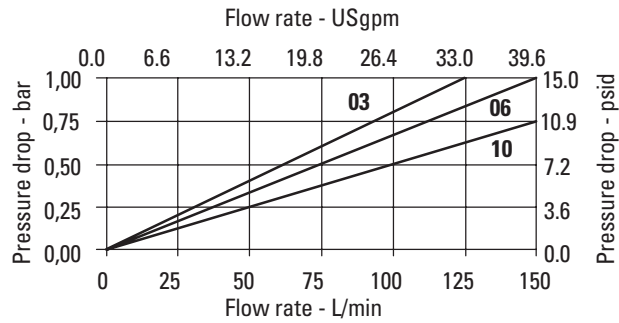
**OFMT100 H-Pak Length 1**



**OFMT100 H-Pak Length 2**

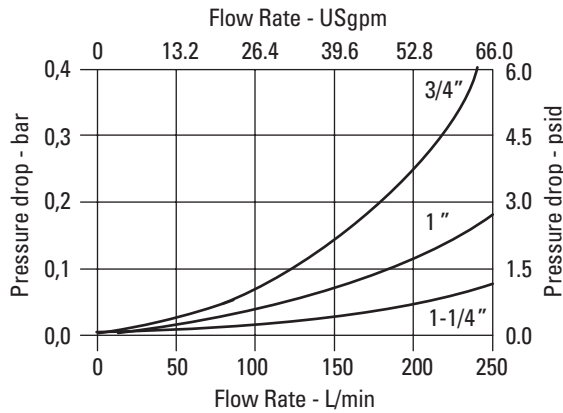


**OFMT100 H-Pak Length 3**



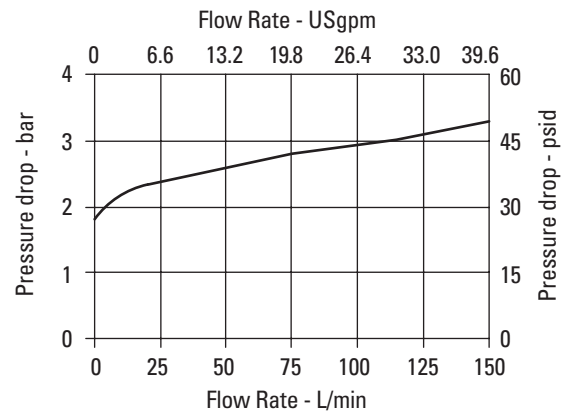
#### Housing/Bypass Valve Flow Data

##### Housing



##### Bypass Valve

Based on mineral oil with density of 0,86 kg/dm<sup>3</sup>.  
ΔP varies proportionally to density.



**Sample ΔP Calculation :** OFMT1001SAG7A06HBT - Filter assembly having filter element with micron rating code '06' at 50 L/min flow rate using a hydraulic fluid at 46 cSt viscosity & specific gravity (sp.gr.)0.8.

<b>ΔP Assembly</b>	=	ΔP Housing	+	ΔP Element
	=	Housing ΔP from graph x sp.gr.(actual)/0.9	+	Element ΔP valve from from graph(bar/lpm) x [ actual cSt / 32 ] x [Sp.Gr(actual) / 0.9]
	=	0.015 x 0.8/0.9	+	0.55 x 46/32 x 0.8/0.9
	=	0.013	+	0.695
	=	<b>0.71 bar</b>		

# In-tank Filters

## OFRT100 Series

Flows to 105 L/min (27.7 USgpm)  
Pressures to 10 bar (150 psi)



### Features and Benefits

- High efficiency filter elements with superior dirt-holding capacity designed for return lines and installed semi-immersed in a reservoir
- Excellent pressure drop characteristics
- Indicators ordered separately
- Bowl length options for design flexibility
- Easy element changes
- Bypass valve prevents excessive pressure drop and prevents element collapse and release of retained contaminant's back into hydraulic system
- Designed to comply with ISO standards

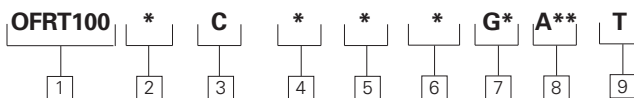
### OFRT 100 Series Filter and Element Model Code

Sample model code:

OFRT1001COSAG7A06T

### DESIGN SPECIFICATIONS

<b>Rated flow:</b>	Length 1	35 L/min (9.2 USgpm)
	Length 2	40 L/min (10.6 USgpm)
	Length 3	75 L/min (19.8 USgpm)
	Length 4	105 L/min (27.7 USgpm)
<b>Fluid compatibility:</b>	Compatible with most petroleum oil, water glycol, oil-in-water and water-in-oil fluids, Optional seals available for phosphate esters.	
<b>Temp range:</b>	-25°C to 110°C (-13°F to 230°F)	
<b>Pressure rating:</b>	Operating	10 bar (150 psi)
	Fatigue	10 bar (150 psi)
<b>Material:</b>	Head	Die Cast Aluminum
	Cover	Nylon
<b>Dry weight:</b> (Approximate)	Length 1	1,0 kg. (2.20 lbs.)
	Length 2	1,2 kg. (2.63 lbs.)
	Length 3	1,3 kg. (2.87 lbs.)
	Length 4	1,5 kg. (3.31 lbs.)



#### 1 Filter Series - OFRT 100

#### 2 Assembly Length

- mm (inch)
- 1 - 225 (8.8)
  - 2 - 269 (10.6)
  - 3 - 319 (12.6)
  - 4 - 419 (16.5)

Length given does not include diffuser

#### 3 Bypass Options

- C** - Bypass set at 1.7 bar (25 psi) cracking pressure

#### 4 Diffuser Options

- O** - No diffuser
- D** - With diffuser

#### 5 Breather Options

- S** - No breather
- C** - 10 µm breather
- M** - 40 µm breather

#### 6 Seal Material

- A** - Buna-N
- V** - Viton-A

#### 7 Port Options

- G1** - G 3/4 to ISO 228
- G2** - G 1 to ISO 228
- G3** - G 1-1/4 to ISO 228
- G4** - 3/4 NPT
- G5** - 1" NPT
- G6** - 1-1/4" NPT
- G7** - 1.0625 - 12 UN SAE - 12 Straight thread

- G8** - 1.3125 - 12 UN SAE - 16 Straight thread
- G9** - 1.625 - 12 UN SAE - 20 Straight thread

#### 8 Fluid Cleanliness Rating Target fluid

Code	cleanliness level
<b>A06</b>	18/16/14 or better
<b>A10</b>	20/18/15 or better

#### 9 Indicator Options

- T** - No Indicator (plug), No Connector

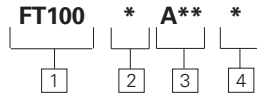
Items not in bold are non-standard and may have a longer lead time



# In-tank Filters

## OFRT100 Series

Flows to 105 L/min (27.7 USgpm)  
Pressures to 10 bar (150 psi)



### Element model code

Sample model code:

FT1002A06A

**1** Filter Element - FT 100

**2** Element Length

- mm (inch)
- 1** - 128 (5.0)
  - 2** - 172 (6.8)
  - 3** - 222 (8.7)
  - 4** - 322 (12.7)

**3** Fluid Cleanliness Rating

Code Target fluid cleanliness level

**A06** 18/16/14 or better

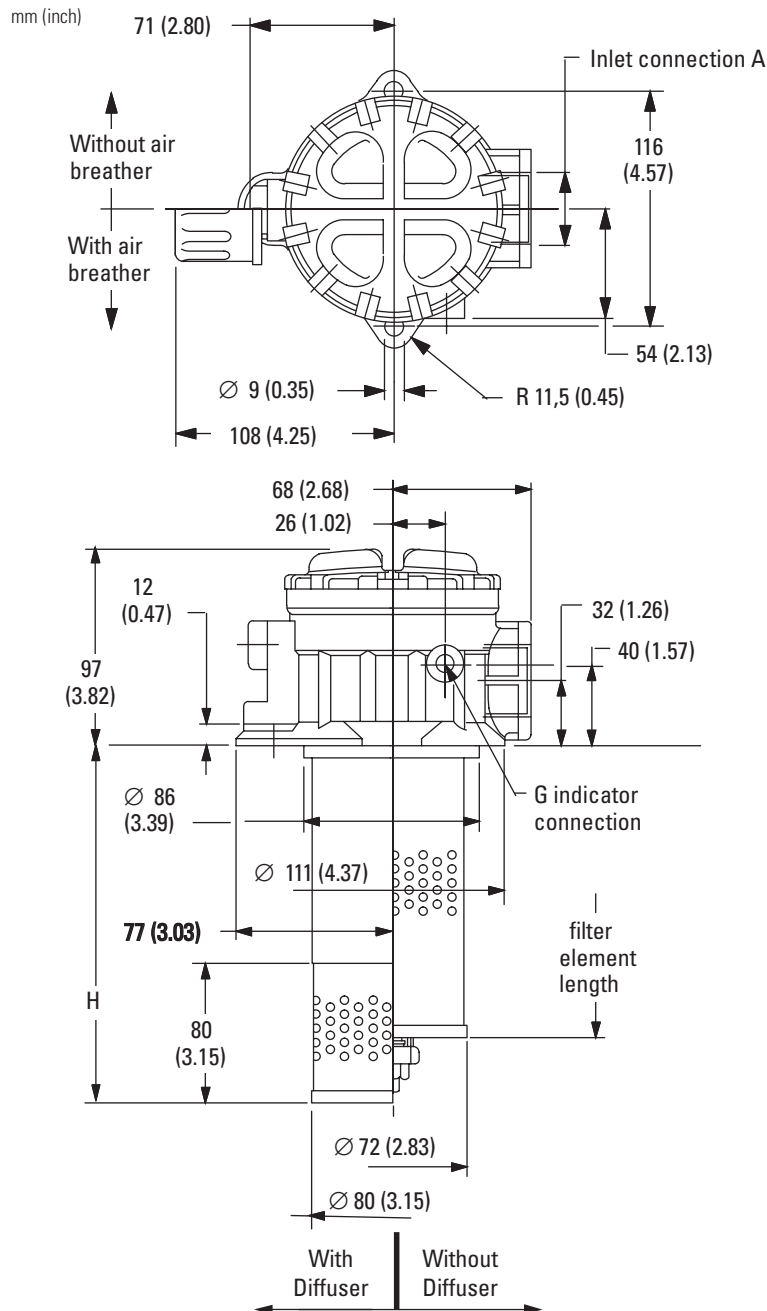
**A10** 20/18/15 or better

**4** Seal Material

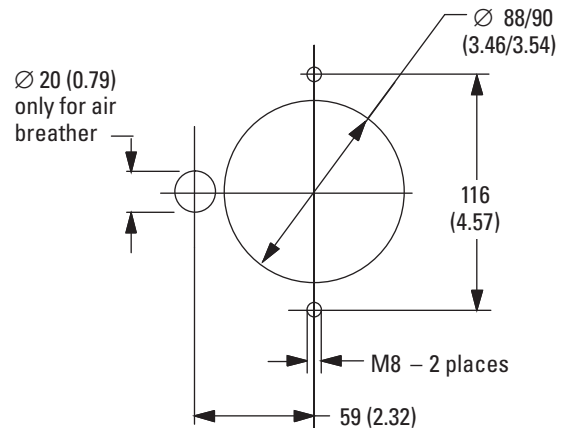
**A** - Buna-N

**V** - Viton-A

### Housing Dimensions



### Holes required on tank



Items not in bold are non-standard and may have a longer lead time

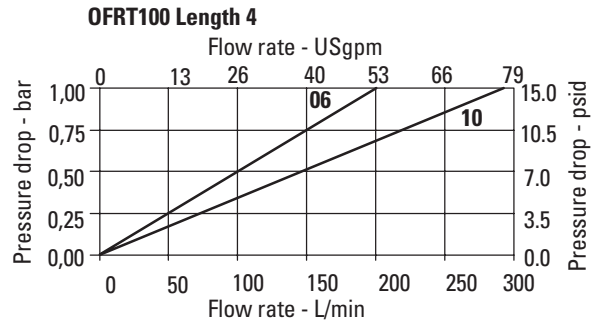
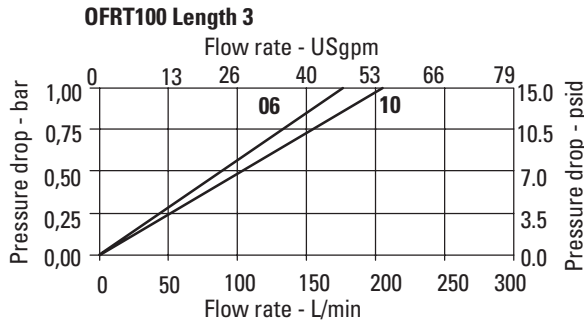
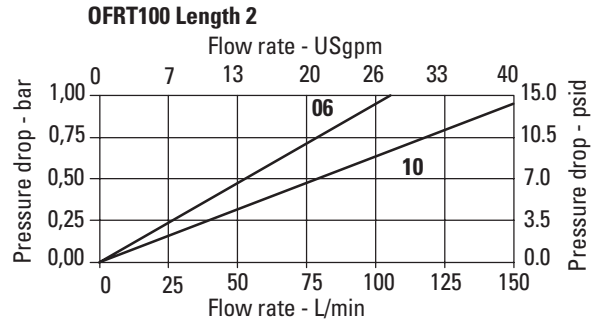
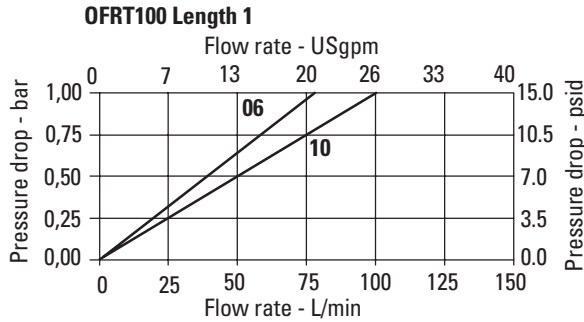
# In-tank Filters

Flows to 105 L/min (27.7 USgpm)  
Pressures to 10 bar (150 psi)

## OFRT100 Series

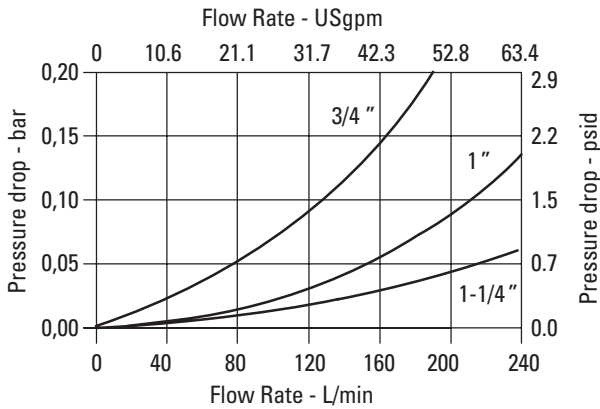
### Flow Data

#### Element Flow Data



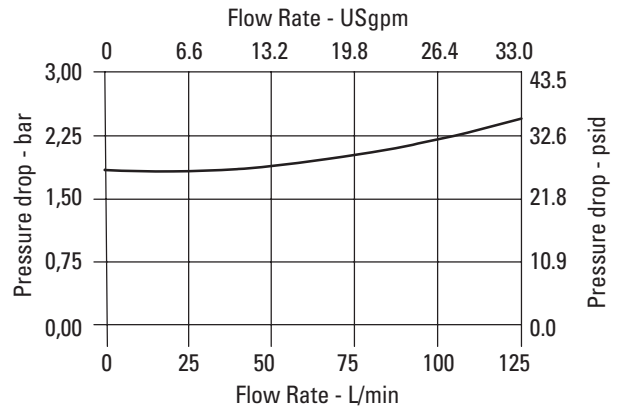
#### Housing/Bypass Valve Flow Data

##### Housing



##### Bypass Valve

Based on mineral oil with density of 0,86 kg/dm<sup>3</sup>.  
ΔP varies proportionally to density.



#### Sample ΔP Calculation :

OFRT1001COSAG7A06T - Filter assembly having filter element with micron rating code '06' at 25 L/min flow rate using a hydraulic fluid at 46 cSt viscosity & specific gravity (sp.gr.)0.8.

<b>ΔP Assembly</b>	=	ΔP Housing	+	ΔP Element
	=	Housing ΔP from graph x sp.gr.(actual)/0.9	+	Element ΔP valve from from graph(bar/lpm) x [ actual cSt / 32 ] x [Sp.Gr(actual) / 0.9]
	=	0.01 x 0.8/0.9	+	0.3 x 46/32 x 0.8/0.9
	=	0.008	+	0.38
	=	<b>0.49 bar</b>		

# In-tank Filters

## OFRT250 Series

Flows to 105 L/min (27.7 USgpm)  
Pressures to 10 bar (150 psi)



### Features and Benefits

- High efficiency filter elements with superior dirt-holding capacity designed for return lines and installed semi-immersed in a reservoir
- Excellent pressure drop characteristics
- Indicators ordered separately
- Bowl length options for design flexibility
- Easy element changes
- Bypass valve prevents excessive pressure drop and prevents element collapse and release of retained contaminants back into hydraulic system
- Designed to comply with ISO standards

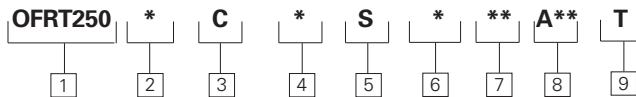
### OFRT 250 Series Filter and Element Model Code

Sample model code:

OFRT2501COSAG7A06T

### DESIGN SPECIFICATIONS

<b>Rated flow:</b>	Length 1	115 L/min (30.4 USgpm)
	Length 2	160 L/min (42.3 USgpm)
	Length 3	205 L/min (54.2 USgpm)
	Length 4	360 L/min (95.1 USgpm)
<b>Fluid compatibility:</b> Compatible with most petroleum oil, water glycol, oil-in-water and water-in-oil fluids, Optional seals available for phosphate esters.		
<b>Temp range:</b> -25°C to +110°C (-13°F to +230°F)		
<b>Pressure rating:</b>	Operating	10 bar (150 psi)
	Fatigue	10 bar (150 psi)
<b>Material:</b>	Head	Die Cast Aluminum
	Cover	Aluminum
<b>Dry weight:</b> (Approximate)	Length 1	3,9 kg. (8.60 lbs.)
	Length 2	4,1 kg. (9.04 lbs.)
	Length 3	4,6 kg. (10.14 lbs.)
	Length 4	4,8 kg. (10.58 lbs.)



#### [1] Filter Series - OFRT 250

#### [2] Assembly Length

mm (inch)

**1** - 285 (11.2)

**2** - 335 (13.2)

**3** - 405 (15.9)

**4** - 610 (24.0)

Length given does not include diffuser

#### [3] Bypass Options

**C** - Bypass set at 1.7 bar (25 psi) cracking pressure

#### [4] Diffuser Options

**O** - No diffuser

**D** - With diffuser

#### [5] Breather Options

**S** - No breather

#### [6] Seal Material

**A** - Buna-N

**V** - Viton-A

#### [7] Port Options (G-threaded, F-flanged)

G1 - G1-1/2 to ISO 228

G2 - G - 1-1/2 and G 1-1/4 to ISO 228 (dual)

G4 - 1-1/2" NPT

G5 - 1-1/2 " and 1-1/4" NPT (dual)

**G7** - 1.875 - 12 UN SAE -24 Straight thread

G8 - 1.625 - 12 UN SAE - 20 and 1.875 - 12 UN SAE - 24 Straight thread (dual)

F1 - 1-1/2" SAE Flange Code 61 with metric bolts

F2 - 1-1/2" and 1-1/4" in SAE Flange Code 61 with metric bolts (dual)

F3 - 1-1/2 in SAE Flange Code 61 with UNC bolts

F4 - 1-1/2 in and 1-1/4 in SAE Flange Code 61 with UNC bolts

#### [8] Fluid Cleanliness Rating Target fluid

Code	cleanliness level
<b>A06</b>	18/16/14 or better
<b>A10</b>	20/18/15 or better

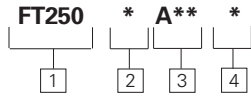
#### [9] Indicator Options

**T** - No Indicator (plug), No Connector

# In-tank Filters

## OFRT250 Series

Flows to 105 L/min (27.7 USgpm)  
Pressures to 10 bar (150 psi)



### Element model code

#### Sample model code:

FT2502A06A

**1** Filter Element - FT 250

**2** Element Length

mm (inch)

**1** - 175 (6.9)

**2** - 225 (8.9)

**3** - 295 (11.6)

**4** - 500 (19.7)

**3** Fluid Cleanliness Rating

Code Target fluid cleanliness level

**A06** 18/16/14 or better

**A10** 19/17/14 or better

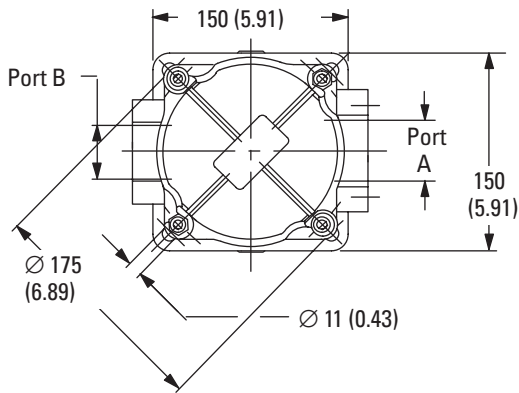
**4** Seal Material

**A** - Buna-N

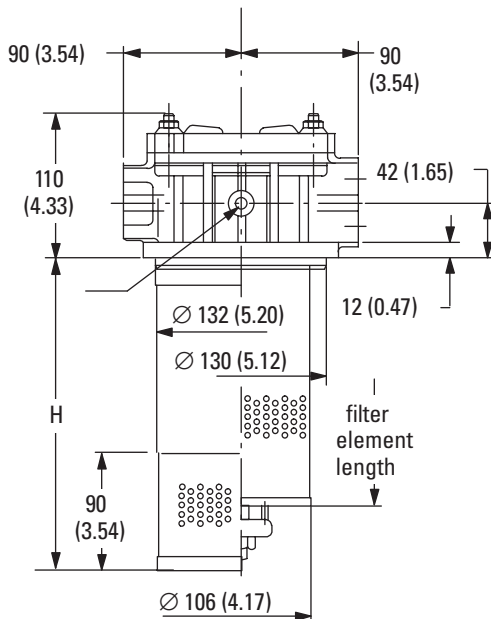
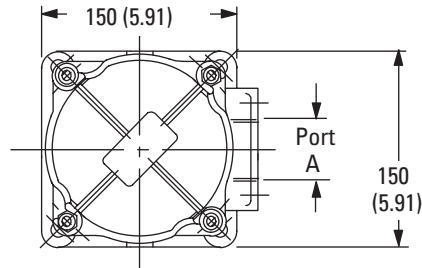
**V** - Viton-A

### Housing Dimensions

mm (inch)



#### Single inlet models



Items not in bold are non-standard and may have a longer lead time

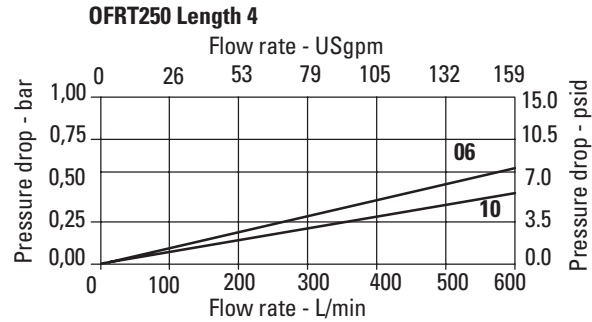
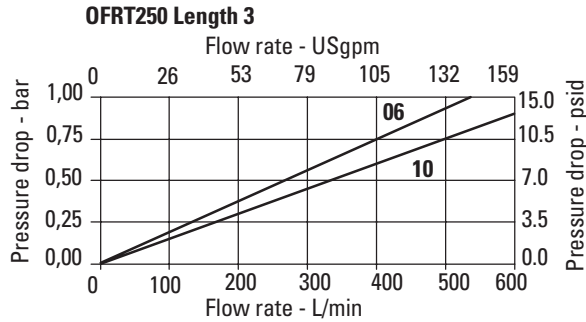
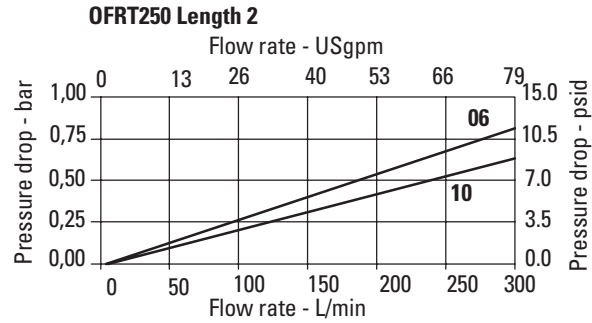
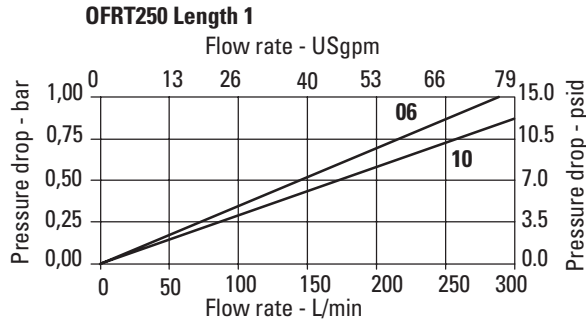
# In-tank Filters

## OFRT250 Series

Flows to 105 L/min (27.7 USgpm)  
Pressures to 10 bar (150 psi)

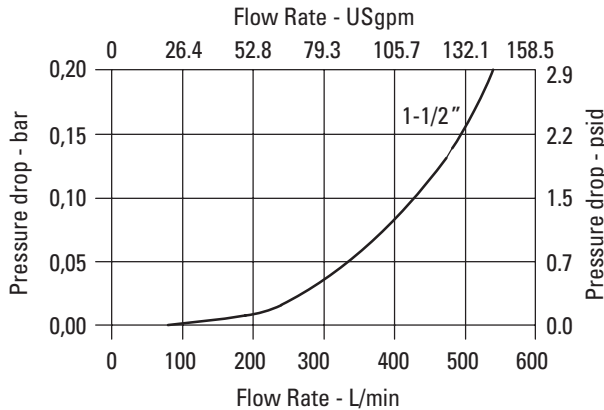
### Flow Data

#### Element Flow Data



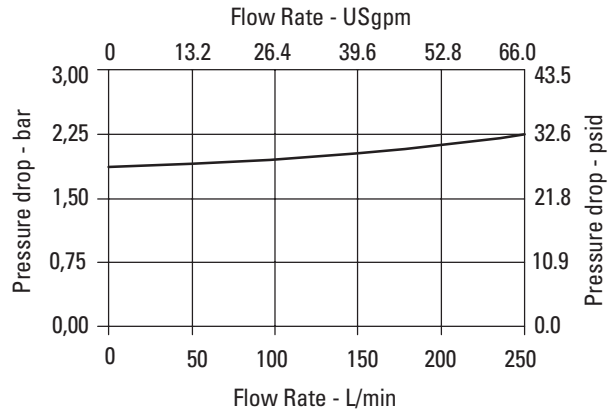
#### Housing/Bypass Valve Flow Data

##### Housing



##### Bypass Valve

Based on mineral oil with density of 0,86 kg/dm<sup>3</sup>.  
ΔP varies proportionally to density.



#### Sample ΔP Calculation :

OFRT2501COSAG7A06T - Filter assembly having filter element with micron rating code '06' at 100 L/min flow rate using a hydraulic fluid at 46 cSt viscosity & specific gravity (sp.gr.)0.8.

<b>ΔP Assembly</b>	=	ΔP Housing	+	ΔP Element
	=	Housing ΔP from graph x sp.gr.(actual)/0.9	+	Element ΔP valve from from graph(bar/lpm) x [ actual cSt / 32 ] x [Sp.Gr(actual) / 0.9]
	=	0.01 x 0.8/0.9	+	0.3 x 46/32 x 0.8/0.9
	=	0.008	+	0.38
	=	<b>0.49 bar</b>		



# In-tank Filters

## OFRT630 Series

Flows to 480 L/min (126.8 USgpm)  
Pressures to 10 bar (150 psi)



### Features and Benefits

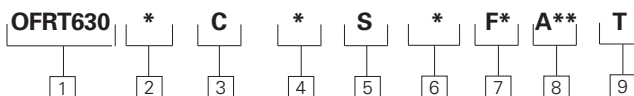
- High efficiency filter elements with superior dirt-holding capacity designed for return lines and installed semi-immersed in a reservoir
- Excellent pressure drop characteristics
- Indicators ordered separately
- Bowl length options for design flexibility
- Easy element changes
- Bypass valve prevents excessive pressure drop and prevents element collapse and release of retained contaminant's back into hydraulic system
- Designed to comply with ISO standards

### OFRT 630 Series Filter and Element Model Code

**Sample model code:**  
OFRT6301COSAF3A06T

### DESIGN SPECIFICATIONS

<b>Rated flow:</b>	Length 1	320 L/min (84.5 USgpm)
	Length 2	400 L/min (105.7 USgpm)
	Length 3	440 L/min (116.2 USgpm)
	Length 4	480 L/min (126.8 USgpm)
<b>Fluid compatibility:</b>	Compatible with most petroleum oil, water glycol, oil-in-water and water-in-oil fluids, Optional seals available for phosphate esters.	
<b>Temp range:</b>	-25°C to 110°C (-13°F to 230°F)	
<b>Pressure rating:</b>	Operating	10 bar (150 psi)
	Fatigue	10 bar (150 psi)
<b>Material:</b>	Head	Die Cast Aluminum
	Cover	Aluminum
<b>Dry weight:</b> (Approximate)	Length 1	8,2 kg. (18.1 lbs.)
	Length 2	8,7 kg. (19.2 lbs.)
	Length 3	9,0 kg. (19.8 lbs.)
	Length 4	9,5 kg. (20.9 lbs.)



#### 1 Filter Series - OFRT 630

#### 2 Assembly Length

mm (inch)

**1** - 400 (15.7)  
**2** - 480 (18.8)  
**3** - 580 (22.8)  
**4** - 670 (26.4)

Length given does not include diffuser

#### 3 Bypass Options

**C** - Bypass set at 1.7 bar (25 psi) cracking pressure

#### 4 Diffuser Options

**O** - No diffuser  
**D** - With diffuser

#### 5 Breather Options

**S** - No breather

#### 6 Seal Material

**A** - Buna-N  
**V** - Viton-A

#### 7 Port Options

**F1** - 2-1/2 in SAE Flange Code 61 with metric bolts  
**F2** - 2 in and 2-1/2 in SAE Flange Code 61 with metric bolts (dual)  
**F3** - 2-1/2 in SAE Flange Code 61 with UNC bolts  
**F4** - 2 in and 2-1/2 in SAE Flange Code 61 with UNC bolts

#### 8 Fluid Cleanliness Rating Target fluid

Code	cleanliness level
<b>A06</b>	18/16/14 or better
<b>A10</b>	20/18/15 or better

#### 9 Indicator Options

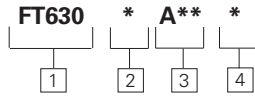
**T** - No Indicator (plug), No Connector

Items not in bold are non-standard and may have a longer lead time

# In-tank Filters

## OFRT630 Series

Flows to 480 L/min (126.8 USgpm)  
Pressures to 10 bar (150 psi)



### Element model code

#### Sample model code:

FT6302A06A

**1** Filter Element - FT 630

**2** Element Length

- mm (inch)
- 1** - 260 (10.2)
  - 2** - 340 (13.4)
  - 3** - 440 (17.3)
  - 4** - 530 (20.9)

**3** Fluid Cleanliness Rating  
Target fluid

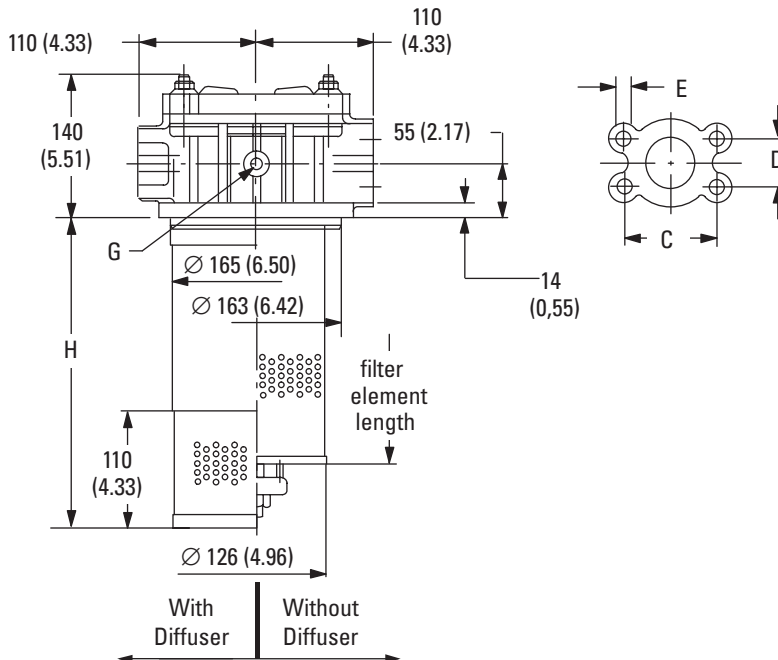
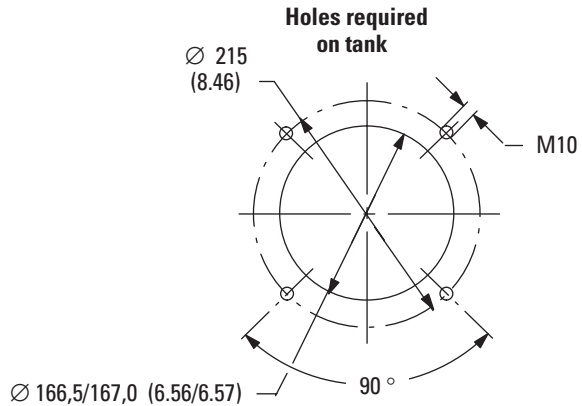
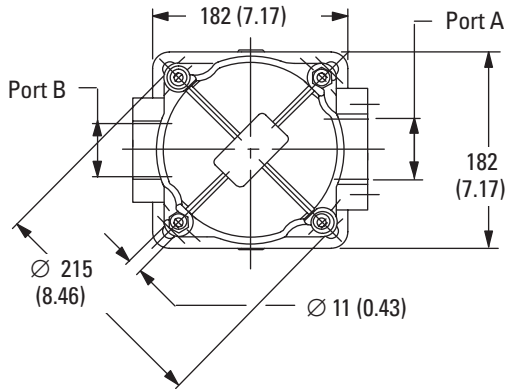
Code	cleanliness level
<b>A06</b>	18/16/14 or better
<b>A10</b>	19/17/14 or better

**4** Seal Material

**A** - Buna-N  
**V** - Viton-A

### Housing Dimensions

mm (inch)



Items not in bold are non-standard and may have a longer lead time

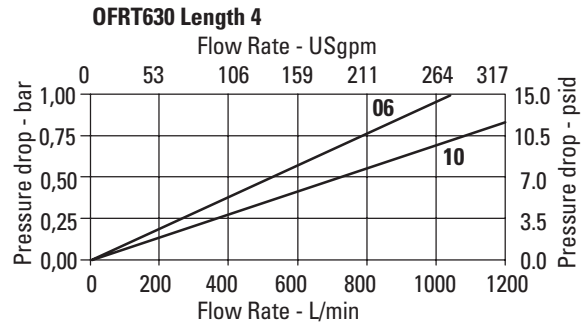
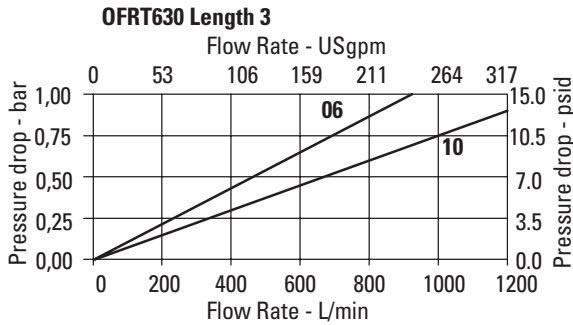
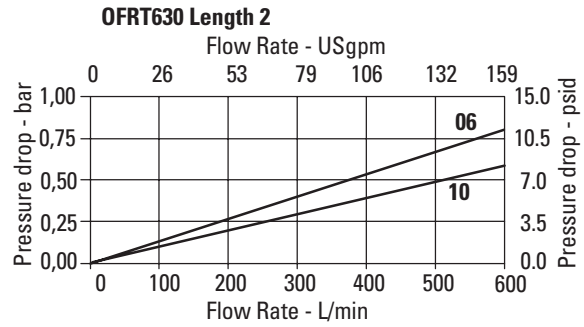
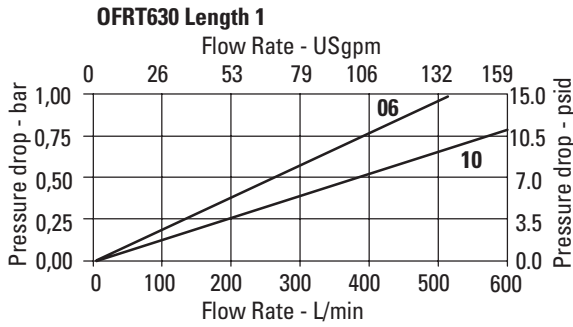
# In-tank Filters

## OFRT630 Series

Flows to 480 L/min (126.8 USgpm)  
Pressures to 10 bar (150 psi)

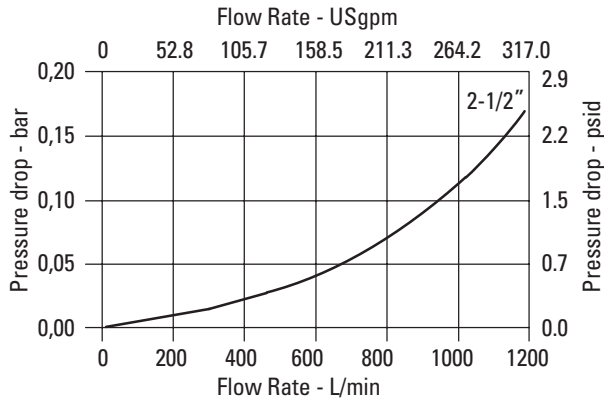
### Flow Data

#### Element Flow Data



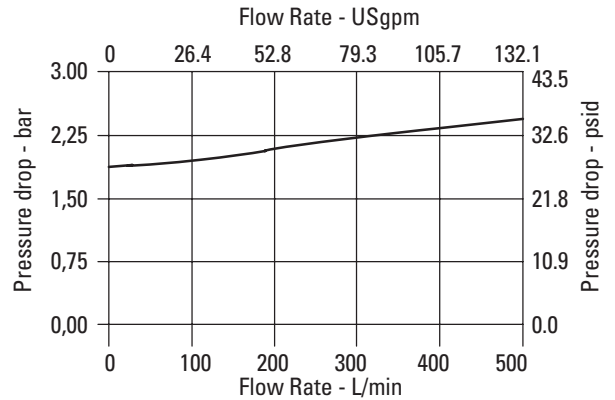
#### Housing/Bypass Valve Flow Data

##### Housing



##### Bypass Valve

Based on mineral oil with density of 0,86 kg/dm<sup>3</sup>.  
ΔP varies proportionally to density.



#### Sample ΔP Calculation :

OFRT6301COSAF3A06T - Filter assembly having filter element with micron rating code '06' at 300 L/min flow rate using a hydraulic fluid at 46 cSt viscosity & specific gravity (sp.gr.)0.8.

<b>ΔP Assembly</b>	=	ΔP Housing	+	ΔP Element
	=	Housing ΔP from graph x sp.gr.(actual)/0.9	+	Element ΔP valve from from graph(bar/lpm) x [ actual cSt / 32 ] x [Sp.Gr(actual) / 0.9]
	=	0.02 x 0.8/0.9	+	0.6 x 46/32 x 0.8/0.9
	=	0.017	+	0.76
	=	<b>0.77 bar</b>		

# In-tank Filters

## OFRT850 Series

Flows to 1,500 L/min (396.3 USgpm)  
Pressures to 10 bar (150 psi)

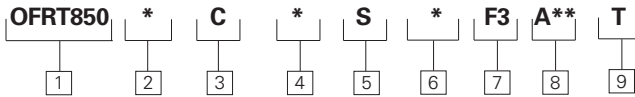


### Features and Benefits

- High efficiency filter elements with superior dirt-holding capacity designed for return lines and installed semi-immersed or totally immersed in a reservoir
- Excellent pressure drop characteristics
- Indicators ordered separately
- Bowl length options for design flexibility
- Easy element changes
- Bypass valve prevents excessive pressure drop and prevents element collapse and release of retained contaminant's back into hydraulic system
- Designed to comply with ISO standards

### DESIGN SPECIFICATIONS

<b>Rated flow:</b>	Length 1	650 L/min (171.7 USgpm)
	Length 2	1000 L/min (264.2 USgpm)
	Length 3	1200 L/min (317.0 USgpm)
	Length 4	1500 L/min (396.3 USgpm)
<b>Fluid compatibility:</b>	Compatible with most petroleum oil, water glycol, oil-in-water and water-in-oil fluids, optional seals available for phosphate esters.	
<b>Temp range:</b>	-25°C to 110°C (-13°F to 230°F)	
<b>Pressure rating:</b>	Operating	10 bar (150 psi)
	Fatigue	10 bar (150 psi)
<b>Material:</b>	Head	Die Cast Aluminum
	Cover	Steel
<b>Dry weight:</b> (Approximate)	Length 1	30 kg. (66.14 lbs.)
	Length 2	34 kg. (74.96 lbs.)
	Length 3	37 kg. (81.57 lbs.)
	Length 4	41 kg. (90.39 lbs.)



### OFRT 850 Series Filter and Element Model Code

#### Sample model code:

OFRT8501COSAF3A06T

#### 1 Filter Series - OFRT 850

#### 2 Assembly Length

- mm (inch)
- 1 - 572 (22.5)
  - 2 - 787 (31.0)
  - 3 - 1067 (42.0)
  - 4 - 1332 (52.4)

#### 3 Bypass Options

- C - Bypass set at 1.7 bar (25 psi) cracking pressure

#### 4 Diffuser Options

- O - No diffuser
- D - With diffuser

#### 5 Breather Options

- S - No breather

#### 6 Seal Material

- A - Buna-N
- V - Viton-A

#### 7 Port Options

- F3 - DN 100 PN 10/16 3" SAE/Metric Bolt Holes

#### 8 Fluid Cleanliness Rating Target fluid

Code cleanliness level

- |     |                    |
|-----|--------------------|
| A06 | 18/16/14 or better |
| A10 | 20/18/15 or better |

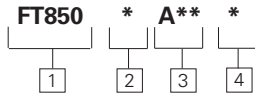
#### 9 Indicator Options

- T - No Indicator (plug), No Connector

# In-tank Filters

## OFRT850 Series

Flows to 1,500 L/min (396.3 USgpm)  
Pressures to 10 bar (150 psi)



### Element model code

Sample model code:

FT8502A06A

**1** Filter Element - FT 850

**2** Element Length

- mm (inch)
- 1** - 388 (15.2)
  - 2** - 603 (23.7)
  - 3** - 883 (34.7)
  - 4** - 1148 (45.2)

**3** Fluid Cleanliness Rating

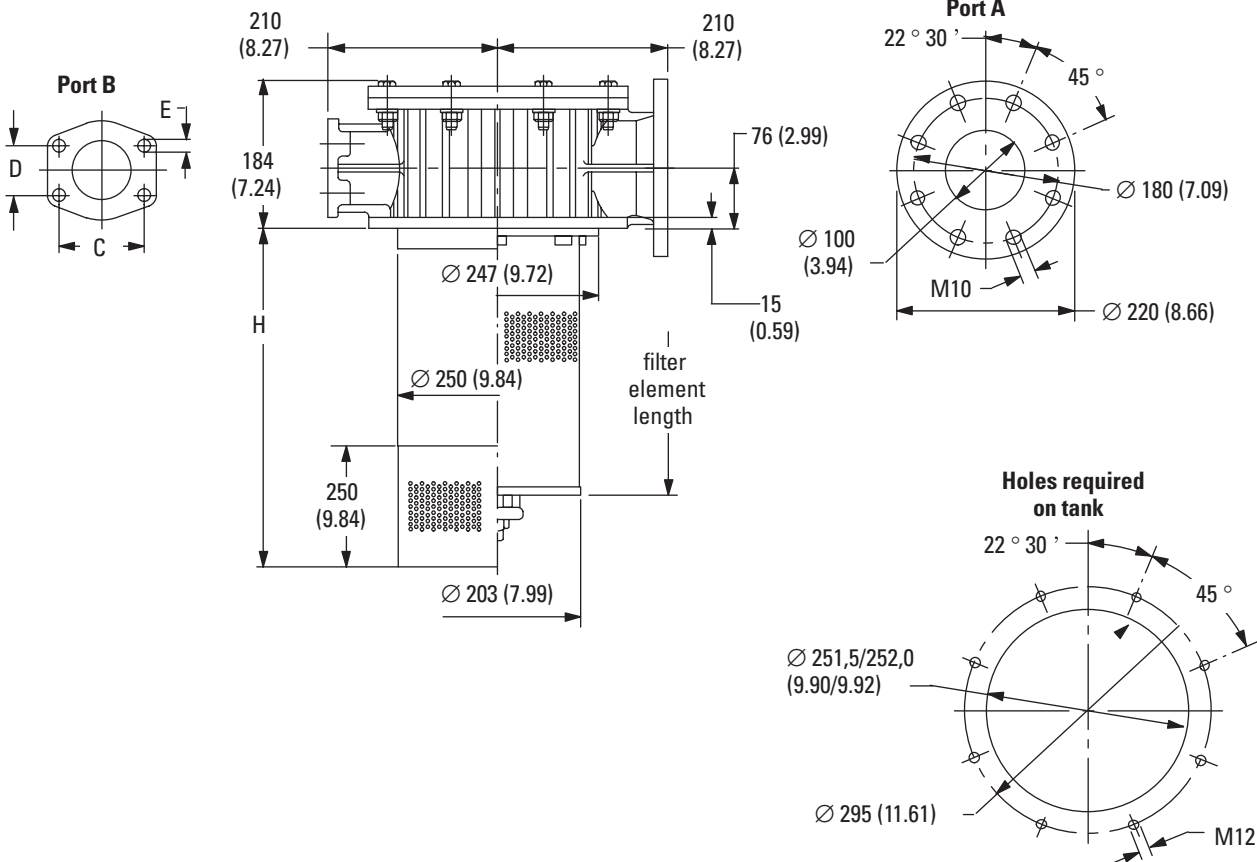
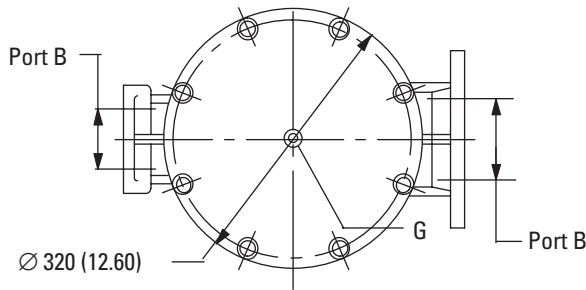
Code	Target fluid cleanliness level
<b>A06</b>	18/16/14 or better
<b>A10</b>	19/17/14 or better

**4** Seal Material

**A** - Buna-N  
**V** - Viton-A

### Housing Dimensions

mm (inch)



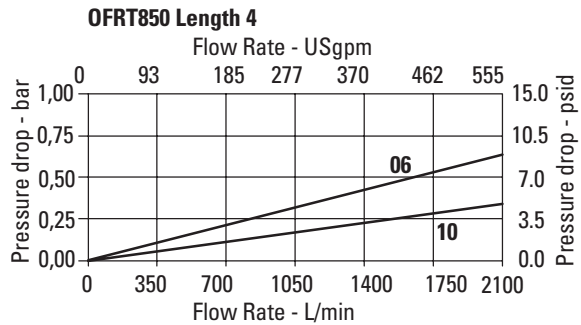
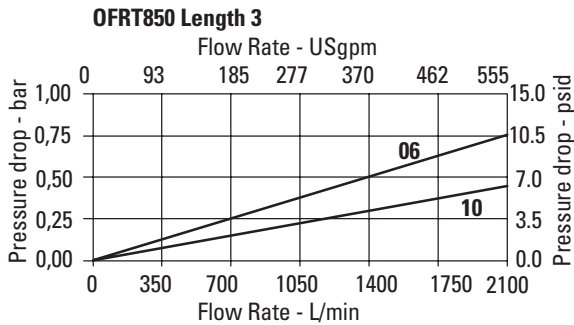
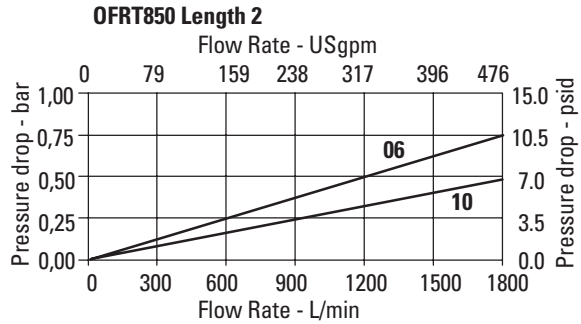
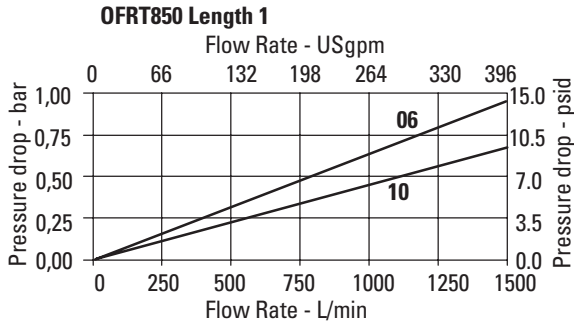
# In-tank Filters

## OFRT850 Series

Flows to 1,500 L/min (396.3 USgpm)  
Pressures to 10 bar (150 psi)

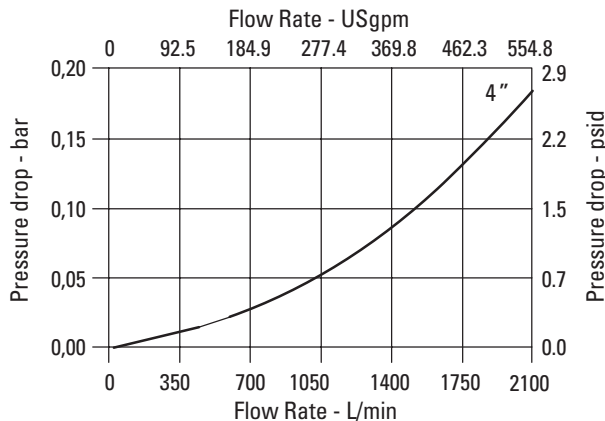
### Flow Data

#### Element Flow Data



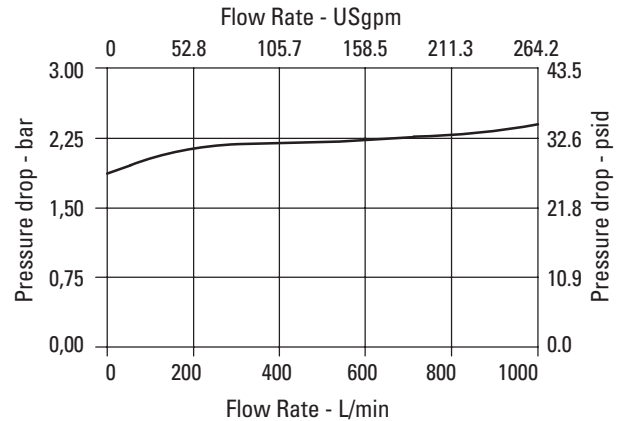
#### Housing/Bypass Valve Flow Data

##### Housing



##### Bypass Valve

Based on mineral oil with density of 0,86 kg/dm<sup>3</sup>.  
ΔP varies proportionally to density.



**Sample ΔP Calculation :** OFRT8501COSAF3A06T - Filter assembly having filter element with micron rating code '06' at 500 L/min flow rate using a hydraulic fluid at 46 cSt viscosity & specific gravity (sp.gr.)0.8.

<b>ΔP Assembly</b>	=	ΔP Housing	+	ΔP Element
	=	Housing ΔP from graph x sp.gr.(actual)/0.9	+	Element ΔP valve from from graph(bar/lpm) x [ actual cSt / 32 ] x [Sp.Gr(actual) / 0.9]
	=	0.02 x 0.8/0.9	+	0.3 x 46/32 x 0.8/0.9
	=	0.017	+	0.38
	=	<b>0.39 bar</b>		



# In-tank Filters

## ORFM Series

Flows to 850 L/min (225 USgpm)  
Pressures to 10 bar (145 psi)



### Features and Benefits

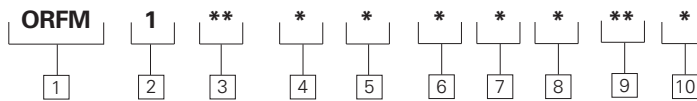
- Beta Ratio:  $\beta_{X(c)} = 1000$  to ISO 16889
- Ideal for mobile applications due to lightweight and compact design
- Clogging indication cavities are standard
- Housing and lid are constructed of durable plastic polyamide or aluminum
- Aluminum alloy does not require anodizing for water-based fluids
- Lengths 2/3/4 have filter bowls that are removed to change the element and also serve as a contamination basket
- Lengths 1/5/6/7 have filter elements that have a separate, reusable contamination basket

### ORFM Series Filter and Element Model Code

Sample model code:  
ORFM1SA2LNB1C05X

### DESIGN SPECIFICATIONS

<b>Rated flow:</b>	Length 1	30 L/min (8 USgpm)	
	Length 2	75 L/min (20 USgpm)	
	Length 3	90 L/min (24 USgpm)	
	Length 4	165 L/min (43 USgpm)	
	Length 5	330 L/Min (87 USgpm)	
	Length 6	660 L/min (174 USgpm)	
	Length 7	850 L/min (225 USgpm)	
<b>Fluid compatibility:</b>	Compatible with all petroleum oil and synthetic fluids rated for use with fluoro-rubber or ethylene propylene seals.		
<b>Temp range:</b>	-30°C to +121°C (-22°F to +250°F)		
<b>Pressure rating:</b>	Operating	10 bar (145 psi)	
	Fatigue	10 bar (145 psi)	
<b>Material:</b>	Length 1	Head, Bowl, Lid	Plastic
	Length 2/3/4	Head	Aluminum
		Bowl, Lid	Plastic
	Length 5/6/7	Head, Bowl, Lid	Aluminum
<b>Dry weight: (Approximate)</b>	Length 1	.32 kg. (0.7 lbs)	
	Length 2	.59 kg. (1.3 lbs)	
	Length 3	.41 kg. (0.9 lbs)	
	Length 4	.68 kg. (1.5 lbs)	
	Length 5	3.1 kg. (6.8 lbs)	
	Length 6	6.0 kg. (13.2 lbs)	
	Length 7	6.5 kg. (14.3 lbs)	



#### 1 Filter Series- ORFM

#### 2 Element Collapse Rating

1 - 10 bar (145 psi) Low Collapse

#### 3 Port Options

- SA** - NPT 1/2" – length 1 only
- SB** - SAE-16 (1" tube) – length 2 & 4 only
- SC** - SAE-12 (3/4" tube) – length 3 only
- SD** - SAE Flange (code 61) (1" tube) – length 5 only
- SE** - SAE-24 (1-1/2" tube) – length 5 only
- SF** - SAE Flange (code 61) (2" tube) – length 6 & 7 only

#### 4 Valve Options

- 0** - No Bypass\*
- 1** - Bypass set at 25 psi (1.7 bar) cracking pressure
- 2** - Bypass set at 43 psi (3 bar) cracking pressure
- 3** - Bypass set at 87 psi (6 bar) cracking pressure

#### 5 Indicator Options\*\*

- AN** - Visual 4.9 bar (70 psi), No Connector
- KN** - Visual 1 bar (15 psi), No Connector
- LN** - Visual 2 bar (30 psi), No Connector

**JN** - No Indicator (plug), No Connector

**MB** - Electrical 1 bar (15 psi), Brad Harrison

**MJ** - Electrical 1 bar (15 psi), Hirschmann w 24 volt light

**MK** - Electrical 1 bar (15 psi), Hirschmann w 115 volt light

**ML** - Electrical 1 bar (15 psi), Hirschmann w 230 volt light

**MH** - Electrical 1 bar (15 psi), Hirschmann

**RB** - Electrical 2 bar (30 psi), Brad Harrison

**RJ** - Electrical 2 bar (30 psi), Hirschmann w 24 volt light

**RK** - Electrical 2 bar (30 psi), Hirschmann w 115 volt light

**RL** - Electrical 2 bar (30 psi), Hirschmann w 230 volt light

**RH** - Electrical 2 bar (30 psi), Hirschmann

**UB** - Electrical 4.9 bar (70 psi), Brad Harrison

**UJ** - Electrical 4.9 bar (70 psi), Hirschmann w 24 volt light

**UK** - Electrical 4.9 bar (70 psi), Hirschmann w 115 volt light

**UL** - Electrical 4.9 (70 psi), Hirschmann w 230 volt light

**UH** - Electrical 4.9 bar (70 psi), Hirschmann

**GA** - Gauge 0-4 Bar (0-60 psi). Use with valve option "1"

**GB** - Gauge 0-10 Bar (0-160 psi). Use with valve options "2" & "3"

#### 6 Seal Material

- B** - Buna-N
- V** - Viton-A

#### 7 Assembly Length

- mm (inch)
- 1** - 156 (6.2)
- 2** - 205 (8.1)
- 3** - 246 (9.6)
- 4** - 289 (11.4)
- 5** - 270 (10.6)
- 6** - 426 (16.8)
- 7** - 507 (19.9)

#### 8 Element Construction

- C** - Standard Construction
- X** - no element

#### 9 Fluid Cleanliness Rating

Code	Target fluid cleanliness level
<b>03</b>	16/14/12 or better
<b>05</b>	18/16/14 or better
<b>10</b>	20/18/15 or better
<b>20</b>	22/19/16 or better
<b>XX</b>	no element

#### 10 Diffusor

- D** - Diffusor
- X** - No diffusor

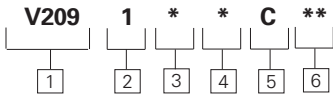
\* For use with external bypass check valve (6 bar) 87 psi maximum.

\*\* For indicator options, refer to Static Indicators on page 150.

# In-tank Filters

## ORFM Series

Flows to 850 L/min (225 USgpm)  
Pressures to 10 bar (145 psi)



### V209 Element model code

Sample model code:

V2091B3C10

### Housing Dimensions

mm (inch)

**1** Filter Element - V209

**2** Valve Options

- 0 - No Bypass\*
- 1 - Bypass set at (1.7 bar)  
25 psi cracking pressure
- 2 - Bypass set at (3 bar)  
43 psi cracking pressure
- 3 - Bypass set at (6 bar)  
87 psi cracking pressure

**3** Seal Material

- B - Buna-N
- V - Viton-A

**4** Assembly Length

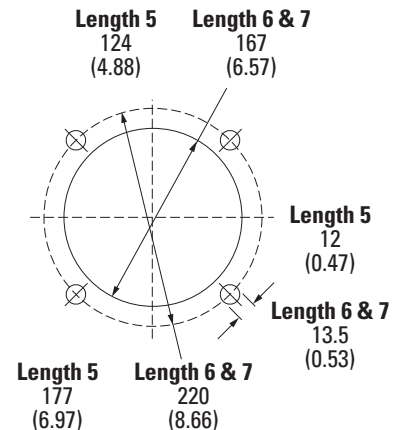
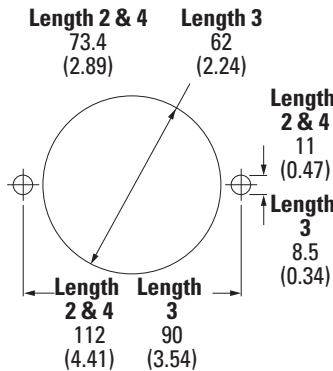
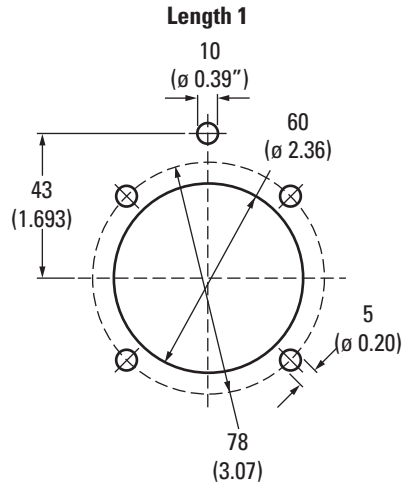
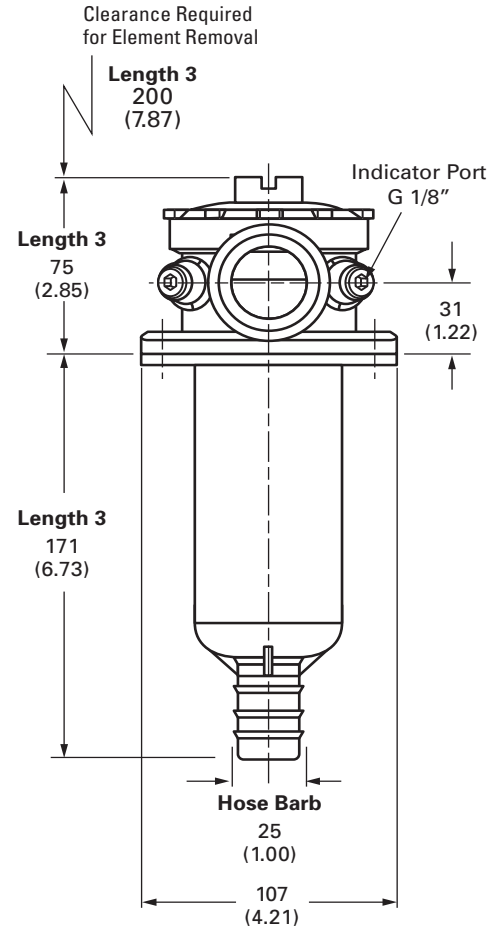
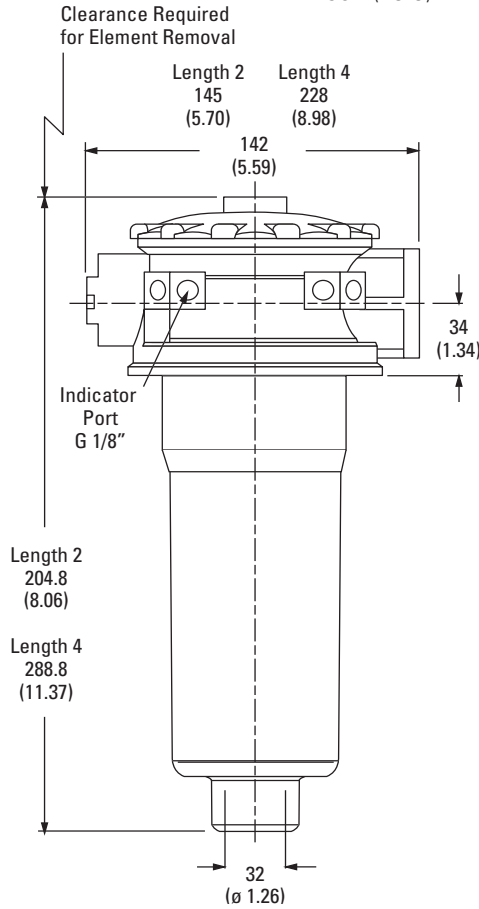
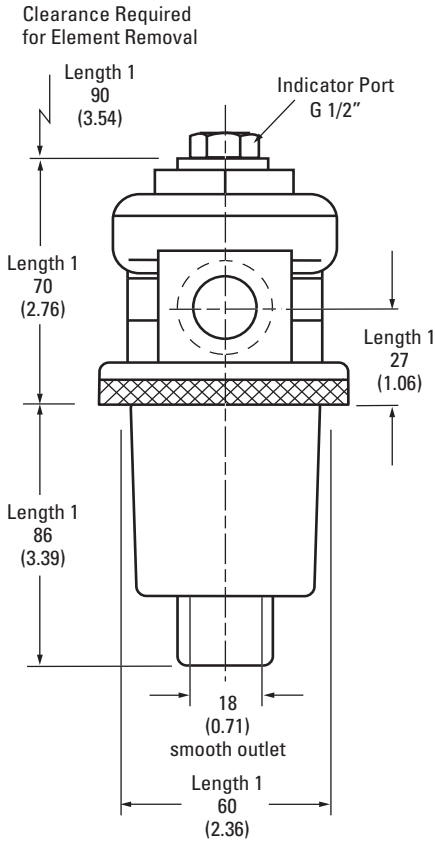
- mm (inch)
- 1 - 156 (6.1)
- 2 - 204.8 (8.1)
- 3 - 246 (9.5)
- 4 - 288.8 (11.3)
- 5 - 270 (10.6)
- 6 - 426 (16.8)
- 7 - 507 (19.9)

**5** Element Construction

- C - Standard Construction

**6** Fluid Cleanliness Rating

Code	Target fluid cleanliness level
03	16/14/12 or better
05	18/16/14 or better
10	20/18/15 or better
20	22/19/16 or better



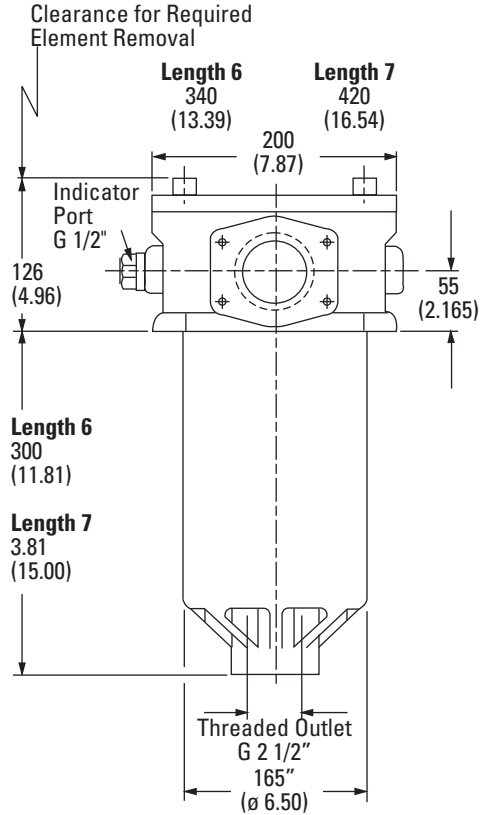
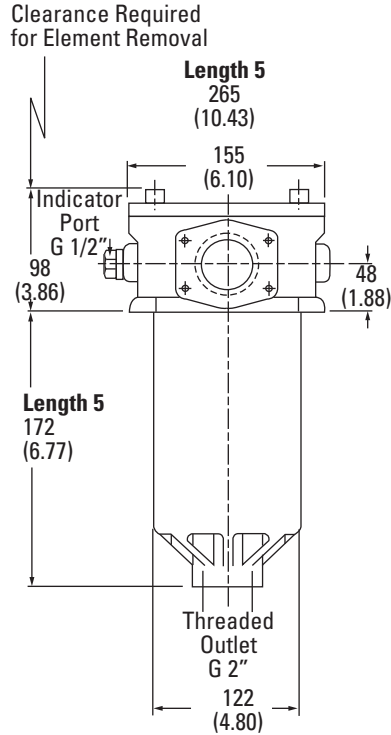
# In-tank Filters

## ORFM Series

Flows to 850 L/min (225 USgpm)  
Pressures to 10 bar (145 psi)

### Housing Dimensions

mm (inch)



### ORFM Clogging Indicator Locations

LENGTH	LOCATION OF CLOGGING INDICATOR
1	Clogging Indicator on top centerline
2/4	Clogging Indicator Left Back 90° to inlet
3	Clogging Indicator Left Front 45° to inlet
5	Clogging Indicator Left Side 90° to inlet
6/7	Clogging Indicator Left Side 90° to inlet

# In-tank Filters

## ORFM Series

### Flow Data

#### Element Flow Data

#### ORFM Filter Elements

'K' factor - bar/lpm (psi/gpm)

ELEMENT	TYPE / SIZE	MICRON RATING			
		03	05	10	20
C -pak	1	0.068 (3.748)	0.044 (2.407)	0.027 (1.470)	0.015 (0.808)
	2	0.022 (1.208)	0.014 (0.779)	0.008 (0.444)	0.004 (0.240)
	3	0.015 (0.815)	0.010 (0.553)	0.007 (0.369)	0.003 (0.175)
	4	0.011 (0.615)	0.008 (0.429)	0.004 (0.245)	0.002 (0.132)
	5	0.004 (0.231)	0.003 (0.149)	0.004 (0.092)	0.001 (0.065)
	6	0.002 (0.105)	0.001 (0.066)	0.001 (0.042)	0.001 (0.028)
	7	0.001 (0.081)	0.001 (0.054)	0.001 (0.036)	0.001 (0.023)

Note: For flow in gpm, use the values inside the brackets.

Note: The values for bar/lpm have been rounded to the third decimal.

# In-tank Filters

## ORFM Series

### Flow Data

Flows to 1,320 L/min (349 USgpm)  
Pressures to 10 bar (145 psi)

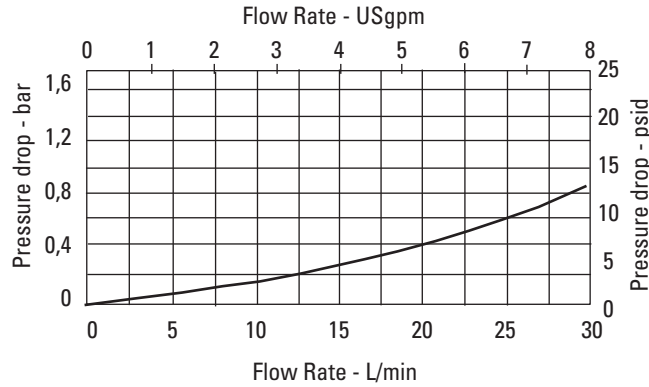
### Flow versus pressure drop:

150 SUS (32 cSt) oil with specific gravity of  $\leq 0.9$

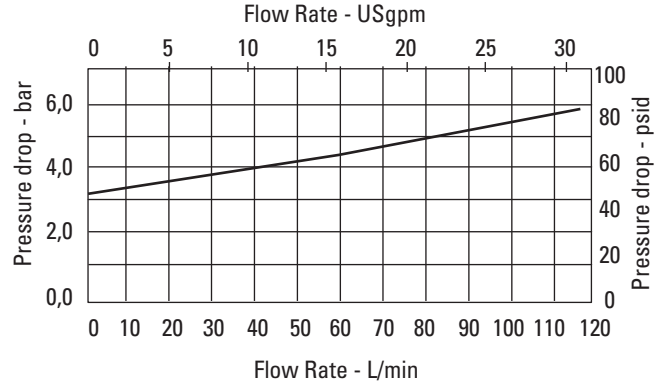
### Housing/Bypass Valve

#### Flow Data

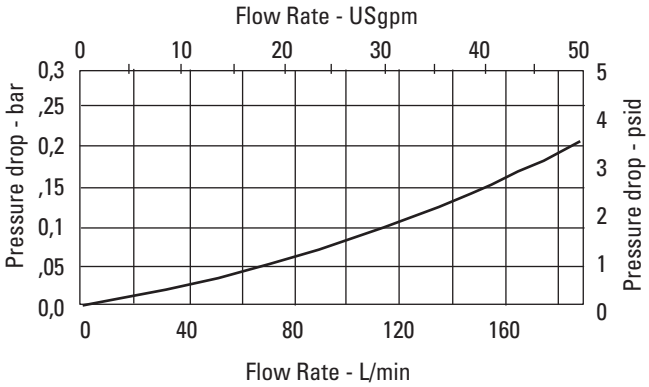
**ORFM Length 1 Housing**



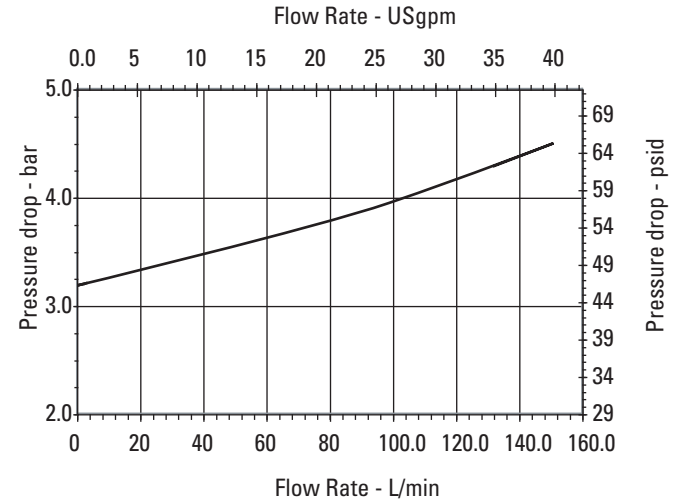
**ORFM Length 1 Bypass**



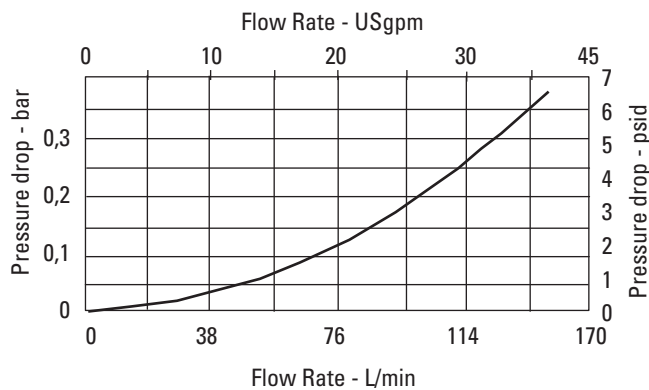
**ORFM Length 2 & 4 Housing**



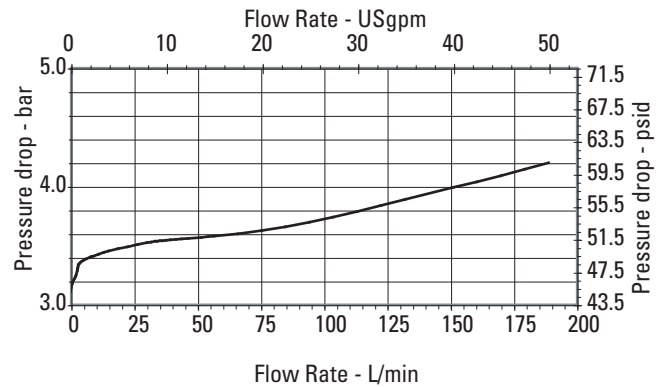
**ORFM Length 2/4 Bypass**



**ORFM Length 3 Housing**



**ORFM Length 3 Bypass**



# In-tank Filters

## ORFM Series

### Flow Data

Flows to 1,320 L/min (349 USgpm)  
Pressures to 10 bar (145 psi)

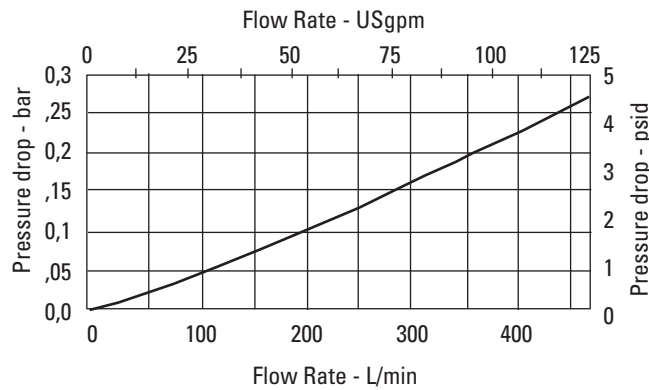
### Flow versus pressure drop:

150 SUS (32 cSt) oil with specific gravity of  $\leq 0.9$

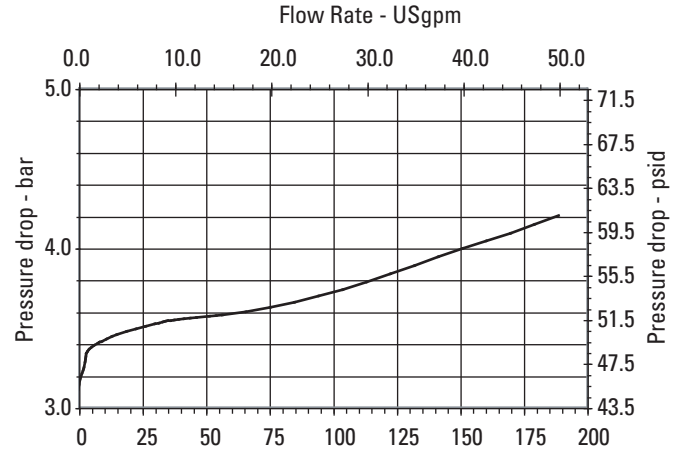
### Housing/Bypass Valve

#### Flow Data

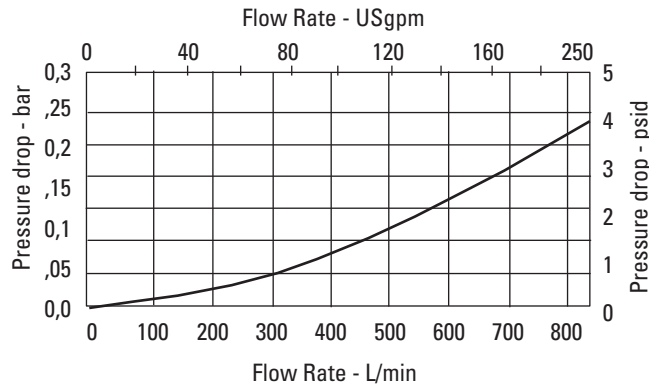
#### ORFM Length 5 Housing



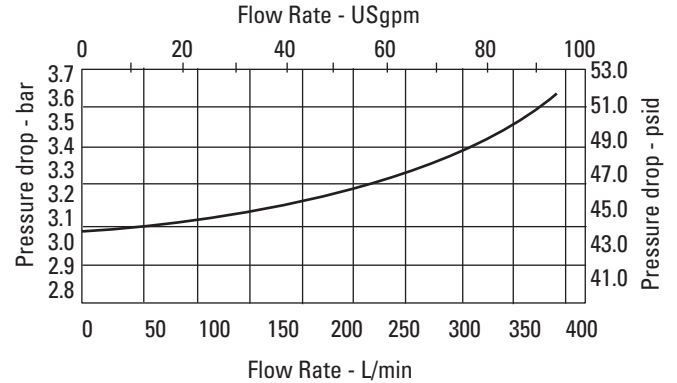
#### ORFM Length 5 Bypass



#### ORFM Length 6 & 7 Housing



#### ORFM Length 6 & 7 Bypass



### Sample $\Delta P$ Calculation :

ORFM1SA2LNB1C05X - Filter assembly having '1' length filter element with micron rating code '05' at 25 L/min flow rate using a hydraulic fluid at 46 cSt viscosity & specific gravity (sp.gr.)0.8.

$\Delta P$ Assembly	=	$\Delta P$ Housing	+	$\Delta P$ Element
	=	Housing factor from graph $\times \text{sp.gr.}(\text{actual})/0.9$	+	Flow Rate (Lpm) $\times$ Element 'K' factor (bar/lpm) $\times$ [ actual cSt / 32 ] $\times$ [Sp.Gr(actual) / 0.9]
	=	$0.6 \times 0.8/0.9$	+	$25 \times 0.044 \times 46/32 \times 0.8/0.9$
	=	0.520	+	1.39
	=	<b>1.91 bar</b>		



# In-tank Filters

## ORF 1300

Flows to 1,300 L/min (343 USgpm)  
Pressures to 25 bar (360PSI)



### Features and Benefits

- Beta Ratio:  $\beta_{X(C)} = 1000$  to ISO 16889
- Non-welded housing design reduces stress concentrations prevents fatigue failure
- O-ring seals are used to provide positive, reliable sealing
- Bolt-on lid requires minimal clearance for removal
- Reusable contamination basket prevents loss of retained contaminants into the reservoir during element replacement
- Clogging indicators can be serviced without interruption of the hydraulic system
- Single piece casting provides rigidity for inline or in-tank mounting

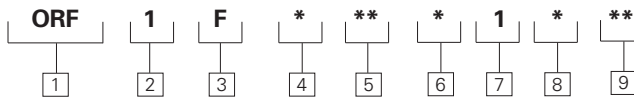
### ORF 1300 Series Filter and Element Model Code

#### Sample model code:

ORF1F2JNB1C05

### DESIGN SPECIFICATIONS

<b>Rated flow:</b>	1300 L/min (343 USgpm)	
<b>Fluid compatibility:</b>	Compatible with all petroleum oils and synthetic fluids rated for use with Fluoro-Rubber or Ethylene Propylene seals.	
<b>Temp range:</b>	-30°C to + 121°C (-22°F to 250°F)	
<b>Pressure rating:</b>	Operating	25 bar (360 psi)
	Fatigue	25 bar (360 psi)
<b>Material:</b>	Housing, Lid, Transfer Valve:	Ductile Iron
<b>Dry weight:</b> (Approximate)		43kg (94.8 lbs)



#### 1 Filter Series - ORF

#### 2 Element Collapse Rating

1 - 17 bar (250 psi) Low Collapse

#### 3 Port Options

F - 4" SAE Flange, Code 61

#### 4 Valve Options

- 0 - Non-Bypass
- 1 - Bypass set at 1.7 bar (25 psi) cracking pressure
- 2 - Bypass set at 2.9 bar (43 psi) cracking pressure
- 3 - Bypass set at 5.9 bar (87 psi) cracking pressure

#### 5 Indicator Options\*

- AN - Visual 4.9 bar (70 psi), No Connector
- KN - Visual 1 bar (15 psi), No Connector
- LN - Visual 2 bar (30 psi), No Connector
- JN - No Indicator (plug), No Connector
- MB - Electrical 1 bar (15 psi), Brad Harrison
- MJ - Electrical 1 bar (15 psi), Hirschmann w 24 volt light

**MK** - Electrical 1 bar (15 psi), Hirschmann w 115 volt light

**ML** - Electrical 1 bar (15 psi), Hirschmann w 230 volt light

**MH** - Electrical 1 bar (15 psi), Hirschmann

**RB** - Electrical 2 bar (30 psi), Brad Harrison

**RJ** - Electrical 2 bar (30 psi), Hirschmann w 24 volt light

**RK** - Electrical 2 bar (30 psi), Hirschmann w 115 volt light

**RL** - Electrical 2 bar (30 psi), Hirschmann w 230 volt light

**RH** - Electrical 2 bar (30 psi), Hirschmann

**UB** - Electrical 4.9 bar (70 psi), Brad Harrison

**UJ** - Electrical 4.9 bar (70 psi), Hirschmann w 24 volt light

**UK** - Electrical 4.9 bar (70psi), Hirschmann w 115 volt light

**UL** - Electrical 4.9 bar (70 psi), Hirschmann w 230 volt light

**UH** - Electrical 4.9 bar (70 psi), Hirschmann

**GA** - Gauge 0-4 Bar (0-60 psi). Use with valve option "1"

**GB** - Gauge 0-10 Bar (0-160 psi). Use with valve option "2"

#### 6 Seal Material

B - Buna-N  
V - Viton-A

#### 7 Assembly Length

mm (inch)  
1 - 584 (23.0)

#### 8 Element Construction

C - Standard Construction  
X - no element

#### 9 Fluid Cleanliness Rating

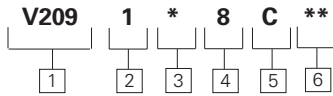
Code	Target fluid cleanliness level
03	16/14/12 or better
05	18/16/14 or better
10	20/18/15 or better
20	22/19/16 or better
XX	no element

\* For indicator options, refer to Static Indicators on page

# In-tank Filters

## ORF 1300

Flows to 1,300 L/min (343 USgpm)  
Pressures to 25 bar (360PSI)



### Element model code

#### Sample model code:

V2091B8C10

**1** Filter element - V209

**2** Element Collapse Rating

**1** - 17 bar (250 psi) Low Collapse

**3** Seal material

**B** - Buna-N  
**V** - Viton-A

**4** Element Length

mm (inch)

**8** - 253 (9.96)

**5** Element construction

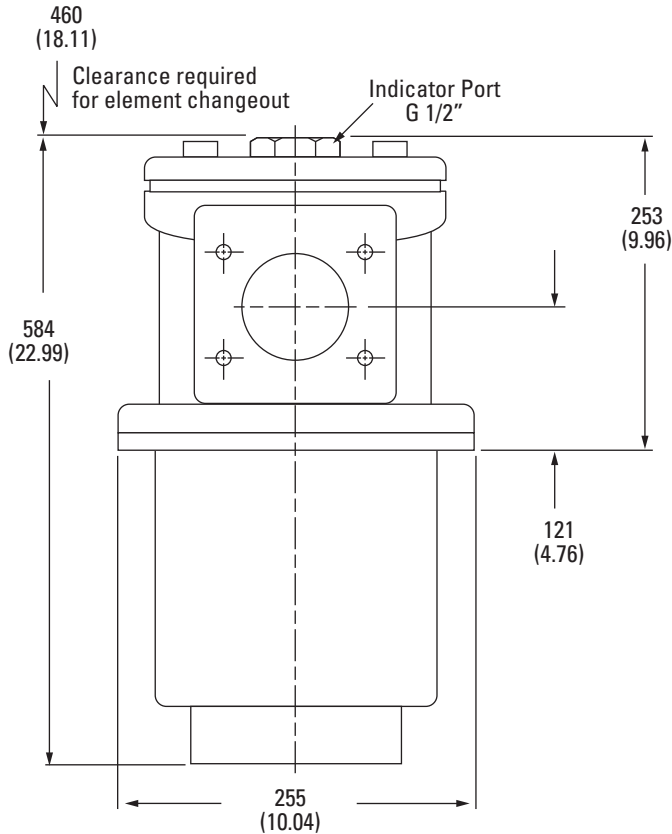
**C** - Standard Construction

**6** Fluid cleanliness rating

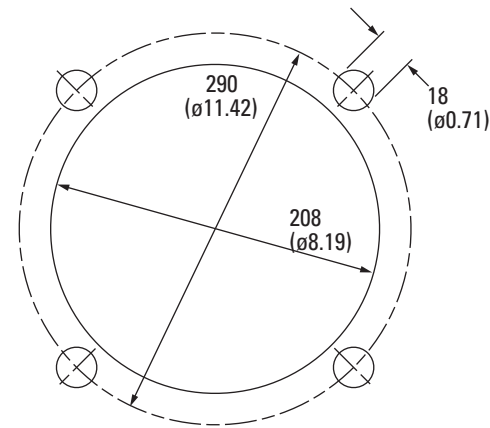
Code	Target fluid cleanliness level
<b>03</b>	16/14/12 or better
<b>05</b>	18/16/14 or better
<b>10</b>	20/18/15 or better
<b>20</b>	22/19/16 or better

### Housing Dimensions

mm (inch)



### Mounting Pattern



# In-tank Filters

## ORF 1300

### Flow Data

Flows to 1,300 L/min (343 USgpm)  
Pressures to 25 bar (360PSI)

#### Flow versus pressure drop:

150 SUS (32 cSt) oil with specific gravity of  $\leq 0.9$

### ORF1300 Filter Elements Flow Data

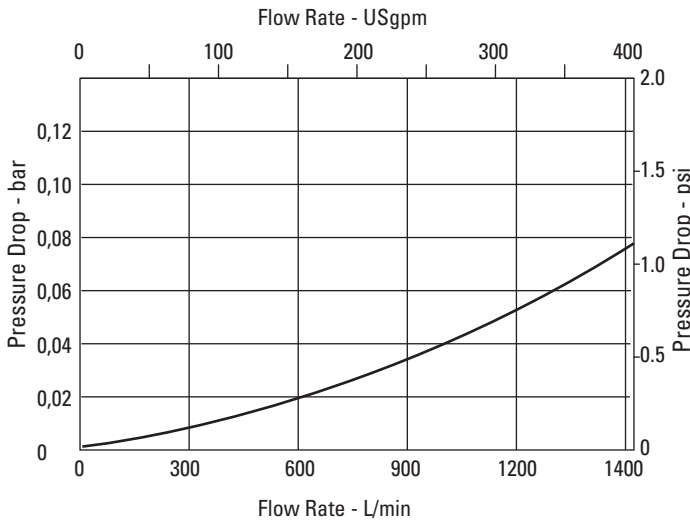
'K' factor - bar/lpm (psi/gpm)

ELEMENT TYPE / SIZE		MICRON RATING			
		03	05	10	20
C -pak	1	0.001 (0.048)	0.001 (0.037)	0.001 (0.034)	0.001 (0.019)

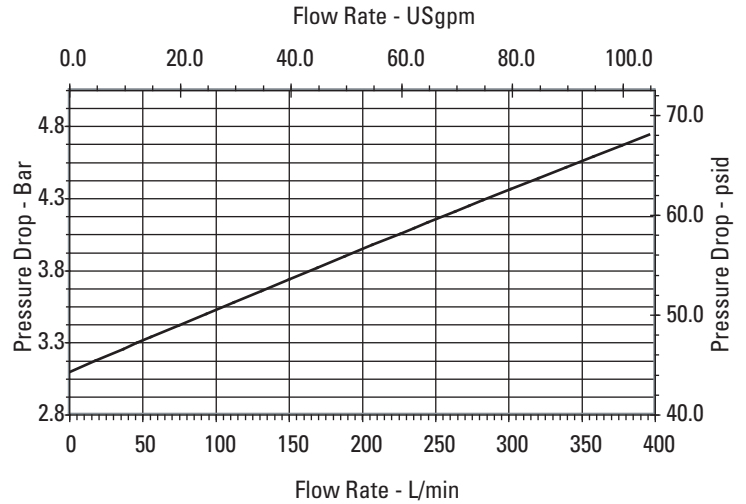
Note: For flow in gpm, use the values inside the brackets.

Note: The values for bar/lpm have been rounded to the third decimal.

#### Housing



#### Bypass Valve



#### Sample $\Delta P$ Calculation :

ORF1F2JNB1C05 - Filter assembly having '1' length filter element with micron rating code '05' at 200 L/min flow rate using a hydraulic fluid at 46 cSt viscosity & specific gravity (sp.gr.)0.8.

$\Delta P$ Assembly	=	$\Delta P$ Housing	+	$\Delta P$ Element
	=	Housing factor from graph $\times \text{sp.gr.}(\text{actual})/0.9$	+	Flow Rate (Lpm) $\times$ Element 'K' factor (bar/lpm) $\times$ [ actual cSt / 32 ] $\times$ [Sp.Gr(actual) / 0.9]
	=	$0.01 \times 0.8/0.9$	+	$200 \times 0.001 \times 46/32 \times 0.8/0.9$
	=	0.008	+	0.25
	=	<b>0.26 bar</b>		

# In-tank Filters

## DRT DIN Series Filters

Flows to 630 L/min (166 USgpm)  
Pressures to 10 bar (145 psi)

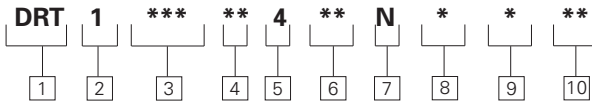


### Features and Benefits

- Beta Ratio:  $\beta_{x(c)} = 1000$  to ISO 16889
- Gauge and electrical switch options available to monitor element loading
- In-tank configuration minimizes space requirements and potential system leakage points
- High efficiency replacement elements in standard configurations (C-Pak) to meet Target Cleanliness Levels

### DESIGN SPECIFICATIONS

<b>Rated flow:</b>	040 063 100 160 250 400 630	40 L/min (11USgpm) 63 L/min (17USgpm) 100 L/min (26USgpm) 160 L/min (42USgpm) 250 L/min (66USgpm) 400 L/min (106USgpm) 630L/min (166USgpm)
<b>Fluid compatibility:</b>	Compatible with most petroleum oil, oil-in-water and water-in-oil fluids. Optional seals available for phosphate esters	
<b>Temp range:</b>	-10°C to + 100°C (+14°F to +212°F)	
<b>Pressure rating:</b>	Operating	25 bar (363 psi)
<b>Material:</b>	Aluminum	
<b>Dry weight:</b>	040 063 100 160 250 400 630	1,5 kg (3.3lbs) 1,5 kg (3.3lbs) 1,5kg (3.3lbs) 3,8kg (8.4lbs) 3,8kg (8.4lbs) 9,0kg (19.8lbs) 9,0kg (19.8lbs)



### DRT Series Filter

#### Sample model code:

DRT1100BD4XXNBC06

#### 1 Filter Series

DRT - DIN In-Tank

#### 2 Element Collapse Rating

1 - Low Collapse

#### 3 Nominal Size

040 - 40 L/min (11USgpm)  
063 - 63 L/min (17USgpm)  
100 - 100 L/min (26USgpm)  
160 - 160 L/min (42USgpm)  
250 - 250 L/min (66USgpm)  
400 - 400 L/min (106USgpm)  
630 - 630L/min (166USgpm)

#### 4 Port Size

BB - G 1/2 (Length 040 only)  
BC - G 3/4 (Length 063 only)  
BD - G 1 (Length 100 only)

BE - G 1 1/4 (Length 160 only)

BF - G 1 1/2 (Length 250 only)

BM - 2 1/2 in SAE Flange  
Code 61 with metric bolts (DN 64) (Length 400 and 630 only)

#### 5 Valve Options

4 - Bypass set at 3 bar (50 psi) cracking pressure

#### 6 Indicator Options \*

XX - No Indicator  
GB - 0-10 bar (0-145 psi) gauge  
RH - Electrical switch Hirschmann

#### 7 Secondary Port

N - No Secondary Port

#### 8 Seal Material

B - Buna-N  
V - Viton-A

#### 9 Element Construction

C - Standard Construction  
X - no element

#### 10 Fluid Cleanliness Rating

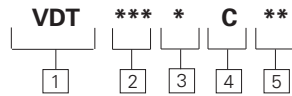
Code	Target fluid cleanliness level
03	16/14/12 or better
06	18/16/14 or better
10	20/18/15 or better
25	22/19/16 or better
XX	no element

\* For indicator options, refer to Static Indicators on page 150.

# In-tank Filters

## DRT DIN Series Filters

Flows to 630 L/min (166 USgpm)  
Pressures to 10 bar (145 psi)



### Element model code

Sample model code:

VDT250BC06

#### 1 Filter Element

VDT - DIN Standard Element

#### 2 Nominal Size

- 040 - 40 L/min (11USgpm)
- 063 - 63 L/min (17USgpm)
- 100 - 100 L/min (26USgpm)
- 160 - 160 L/min (42USgpm)
- 250 - 250 L/min (66USgpm)
- 400 - 400 L/min (106USgpm)
- 630 - 630L/min (166USgpm)

#### 3 Seal Material

- B - Buna-N
- V - Viton-A

#### 4 Element Construction

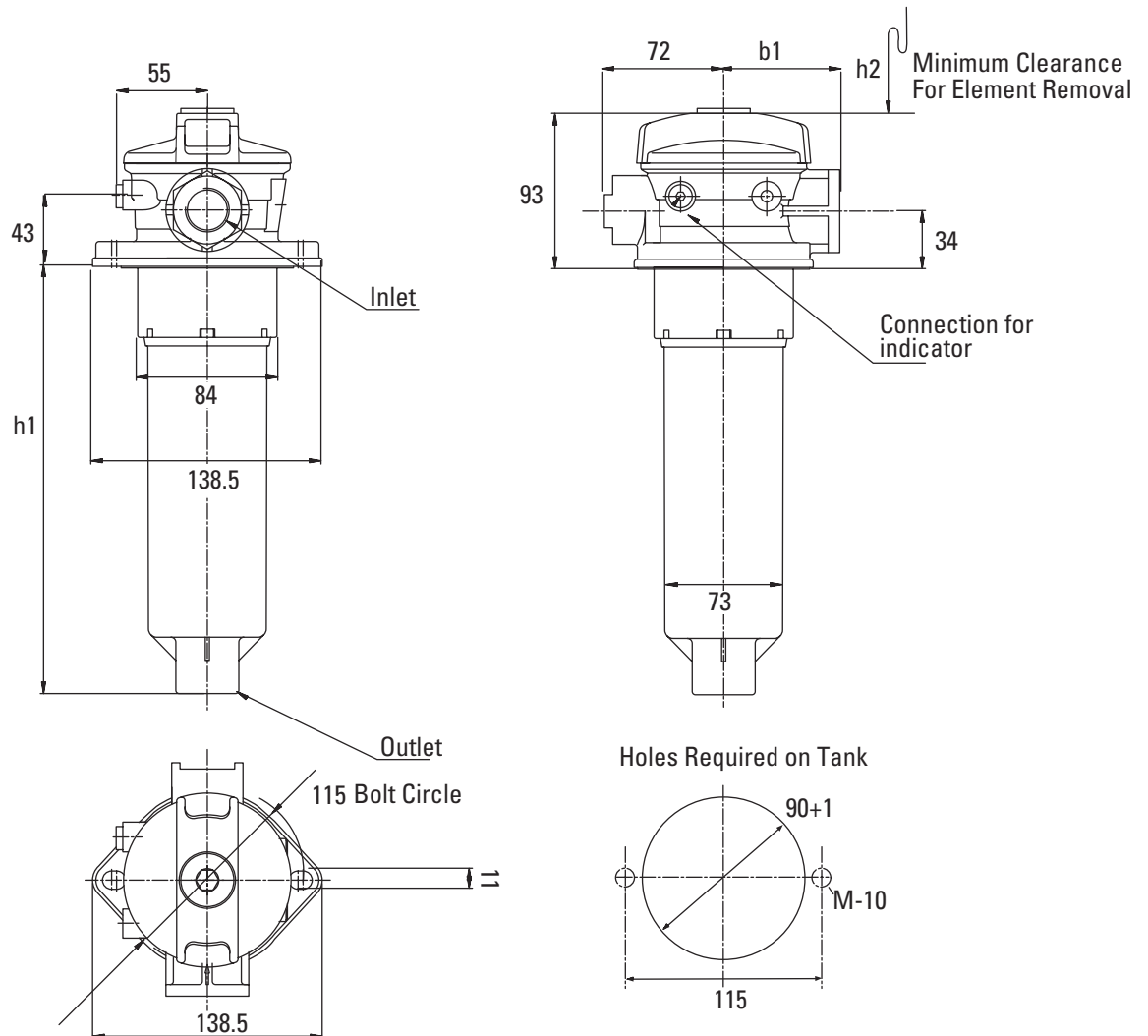
- C - Standard Construction

#### 5 Fluid Cleanliness Rating

Code	Target fluid cleanliness level
03	16/14/12 or better
06	18/16/14 or better
10	20/18/15 or better
25	22/19/16 or better

### Dimensions DRT 040, 063, 100 Series

Dimensions in mm



# In-tank Filters

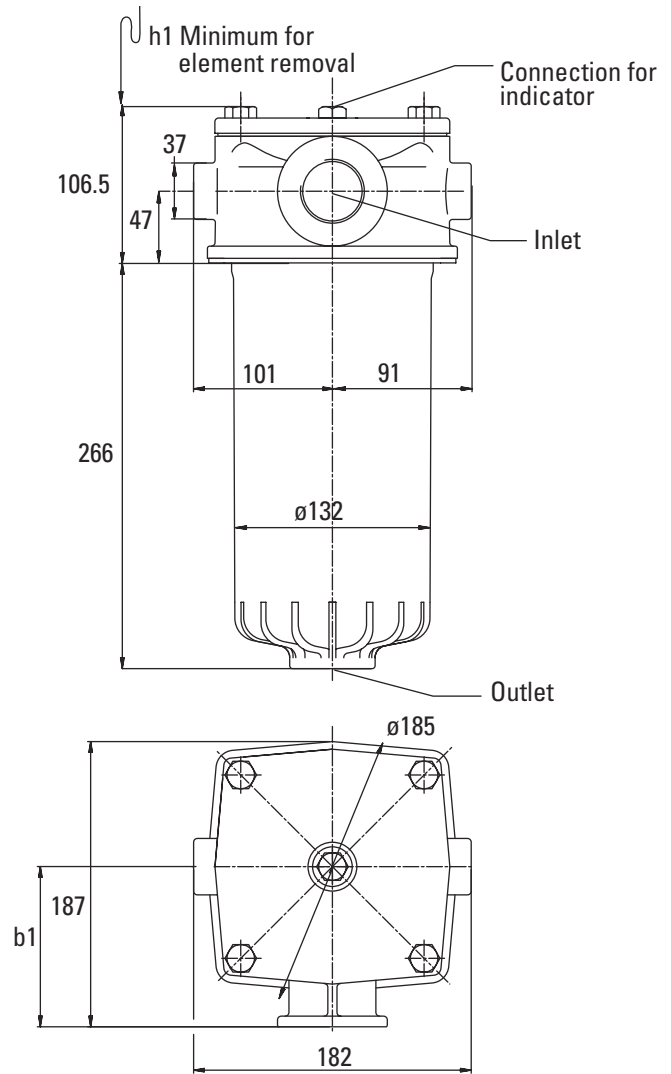
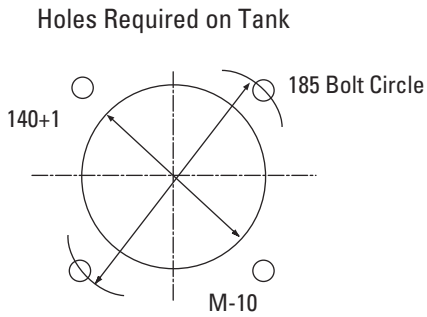
## DRT DIN Series

### Filters

Flows to 630 L/min (166 USgpm)  
 Pressures to 10 bar (145 psi)

#### Dimensions DRT 160 and 250 Series

Dimensions in mm





# In-tank Filters

## DRT DIN Series Filters

Flows to 630 L/min (166 USgpm)  
Pressures to 10 bar (145 psi)

### Housing Flow Data

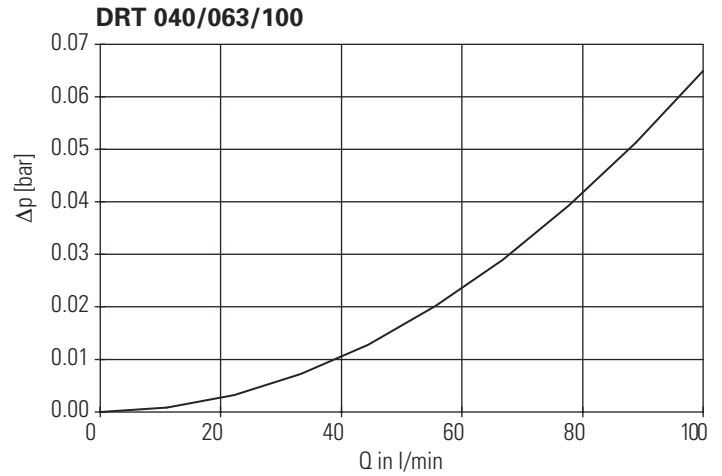
#### DRT 040, 063, 100 Series Housing Data

Flow versus pressure drop:

32 cSt oil with specific gravity of  $\leq 0.9$

(See page 5 for specific gravity corrections for pressure drop.)

TYPE	INLET PORT	b1	h1	h2
DRT 040	G 1/2	81	122	150
DRT 063	G 3/4	70	206	200
DRT 100	G 1	70	260	290



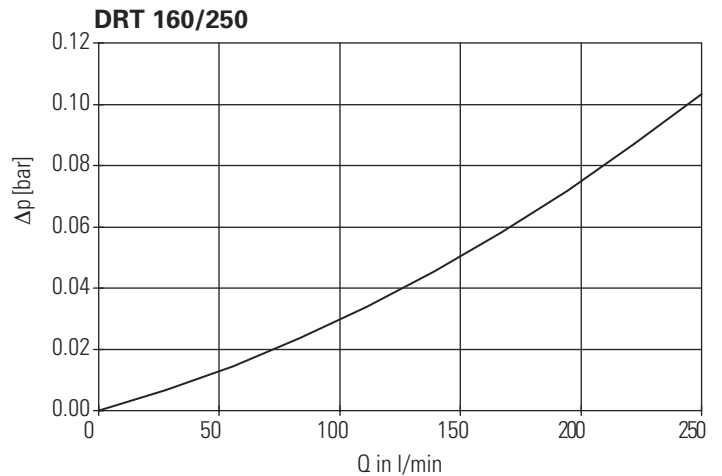
#### DRT 160 and 250 Series Housing Data

Flow versus pressure drop:

32 cSt oil with specific gravity of  $\leq 0.9$

(See page 5 for specific gravity corrections for pressure drop.)

TYPE	INLET PORT	b1	h1
DRT 160	G 1 1/4	141	210
DRT 250	G 1 1/2	105	300



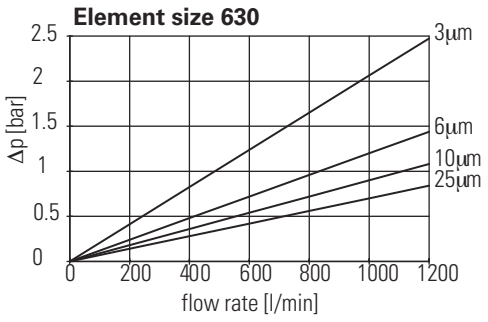
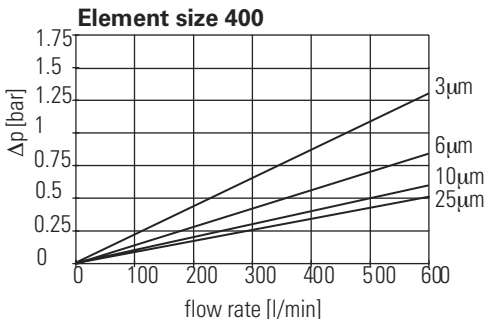
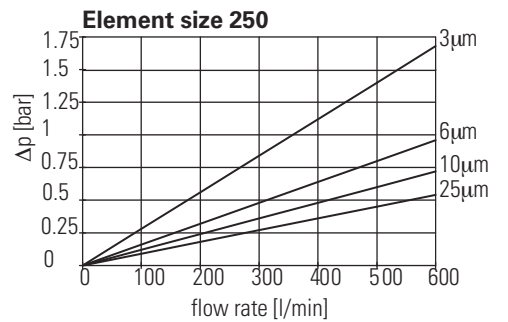
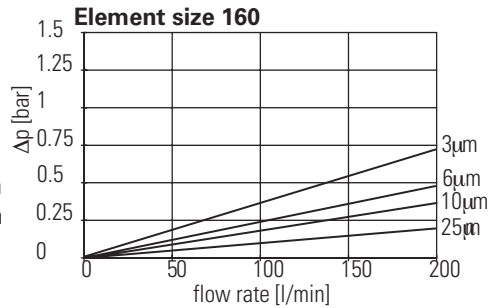
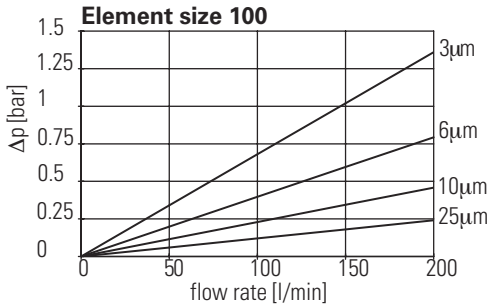
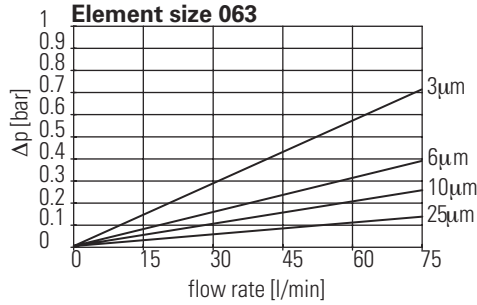
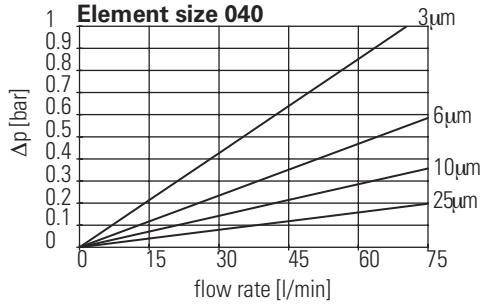
# In-tank Filters

## DRT DIN Series

### Filters

Flows to 630 L/min (166 USgpm)  
Pressures to 10 bar (145 psi)

#### Element Flow Data



**Sample ΔP Calculation :** DRT1100BD4XXNBC06 - Filter assembly having filter element with micron rating code '06' at 100 L/min flow rate using a hydraulic fluid at 46 cSt viscosity & specific gravity (sp.gr.)0.8.

<b>ΔP Assembly</b>	=	ΔP Housing	+	ΔP Element
	=	Housing ΔP from graph x sp.gr.(actual)/0.9	+	Element ΔP valve from from graph(bar/lpm) x [ actual cSt / 32 ] x [Sp.Gr(actual) / 0.9]
	=	0.065 x 0.8/0.9	+	0.3 x 46/32 x 0.8/0.9
	=	0.057	+	0.38
	=	<b>0.43 bar</b>		

# In-tank Filters

## HF4RT Series

Flows to 454 L/min (120 USgpm)  
Pressures to 7 bar (100 psi)



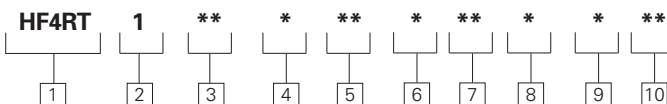
Pop-rivets for shipping purposes only. Remove prior to installation.

### Features and Benefits

- Beta Ratio:  $\beta_{x(c)} = 1000$  to ISO 16889
- Designed to comply with ANSI specifications and ISO cleanliness standards.
- Conforms to HF4 specifications
- Gauge and electrical switch options available to monitor element loading
- In-tank configuration minimizes space requirements and potential system leakage points
- Optional secondary port allows filtration of a second return line without additional fittings or filtered fill port
- High efficiency replacement elements in standard configurations (C-Pak) to meet Target Cleanliness Levels. Optional extend tube allows smaller filtration unit to be used where needed

### DESIGN SPECIFICATIONS

<b>Rated flow:</b>	Length 3	189 L/min (50 USgpm)
	Length 6	379 L/min (100 USgpm)
	Length 7	454 L/min (120 USgpm)
<b>Fluid compatibility:</b>	Compatible with most petroleum oil, oil-in-water and water-in-oil fluids Optional seals available for phosphate esters.	
<b>Temp range:</b>	-30°C to 121°C (-22°F to 250°F)	
<b>Pressure rating:</b>	Operating	7 bar (100 psi)
	Fatigue	7 bar (100 psi)
<b>Material:</b>	Head	Aluminum
	Cover	Aluminum
	Bowl	Carbon Steel
<b>Dry weight:</b> (Approximate)	Length 3	4,5 kg. (10.0 lbs.)
	Length 6	6,6 kg. (14.5 lbs.)
	Length 7	8,4 kg. (18.6 lbs.)



### HF4RT Series Filter and Element Model Code

#### Sample model code:

HF4RT1SD313XXBC05

#### 1 Filter Series - HF4RT

#### 2 Element Collapse Rating

1 - 10 bar (150 psi) Low Collapse

#### 3 Port Options

BC - G1<sup>1</sup>/<sub>4</sub> to ISO 228  
ME - 1<sup>1</sup>/<sub>2</sub>" - SAE 4 bolt Flange Code 61 (M12 x 1.75)

SD - 1.875 - 12 UN SAE-24 str. Thd. (1<sup>1</sup>/<sub>2</sub>" tube)

FE - 1<sup>1</sup>/<sub>2</sub>" - SAE 4 bolt Flange Code 61 (UNC)

#### 4 Valve Options

3 - Bypass set at 1.7 bar (25 psi) cracking pressure

4 - Bypass set at 3 bar (43 psi) cracking pressure

#### 5 Indicator Options\*

XX - No indicator  
GA - Gauge 0-4 bar (0-60psi)  
GB - Gauge 0-10 bar (0-160psi)  
MB - Electrical, 15 PSI Brad Harrison  
RB - Electrical, 30 PSI Brad Harrison  
MH - Electrical, 15 PSI Hirschmann  
RH - Electrical, 30 PSI Hirschmann

#### 6 Assembly Length

mm (inch)  
3 - 378 (14.9)  
6 - 584 (23)  
7 - 787 (31)

#### 7 Secondary Port

BC - G1<sup>1</sup>/<sub>4</sub> to ISO 228 - use with BC Inlet Port  
SD - 1.875 - 12 UN SAE-24 str. Thd. (1<sup>1</sup>/<sub>2</sub>" tube) - use with SD Inlet Port

SZ - 2.50 - 12 UN SAE-32 str. Thd. (2" tube) - use with FE Inlet Port

XX - No Secondary Port  
Note: No secondary port option is available with the ME inlet port option.

#### 8 Seal Material

B - Buna-N  
V - Viton-A

#### 9 Element Construction

C - Standard Construction  
X - no element

#### 10 Fluid Cleanliness Rating

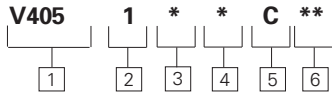
Code	cleanliness level
03	16/14/12 or better
05	18/16/14 or better
10	20/18/15 or better
20	22/19/16 or better
XX	no element

\* For indicator options, refer to Static Indicators on page 150.

# In-tank Filters

## HF4RT Series

Flows to 280 L/min (75 USgpm)  
Pressures to 50 bar (725 psi)



### V405 Element Model Code

Sample model code:  
V4051B3C05

**1 Filter Element**  
V405 - For use with HF4RT

**2 Element Collapse Rating**  
1 - 10 bar (150 psi)  
Low Collapse

**3 Seal Material**  
B - Buna-N  
V - Viton-A

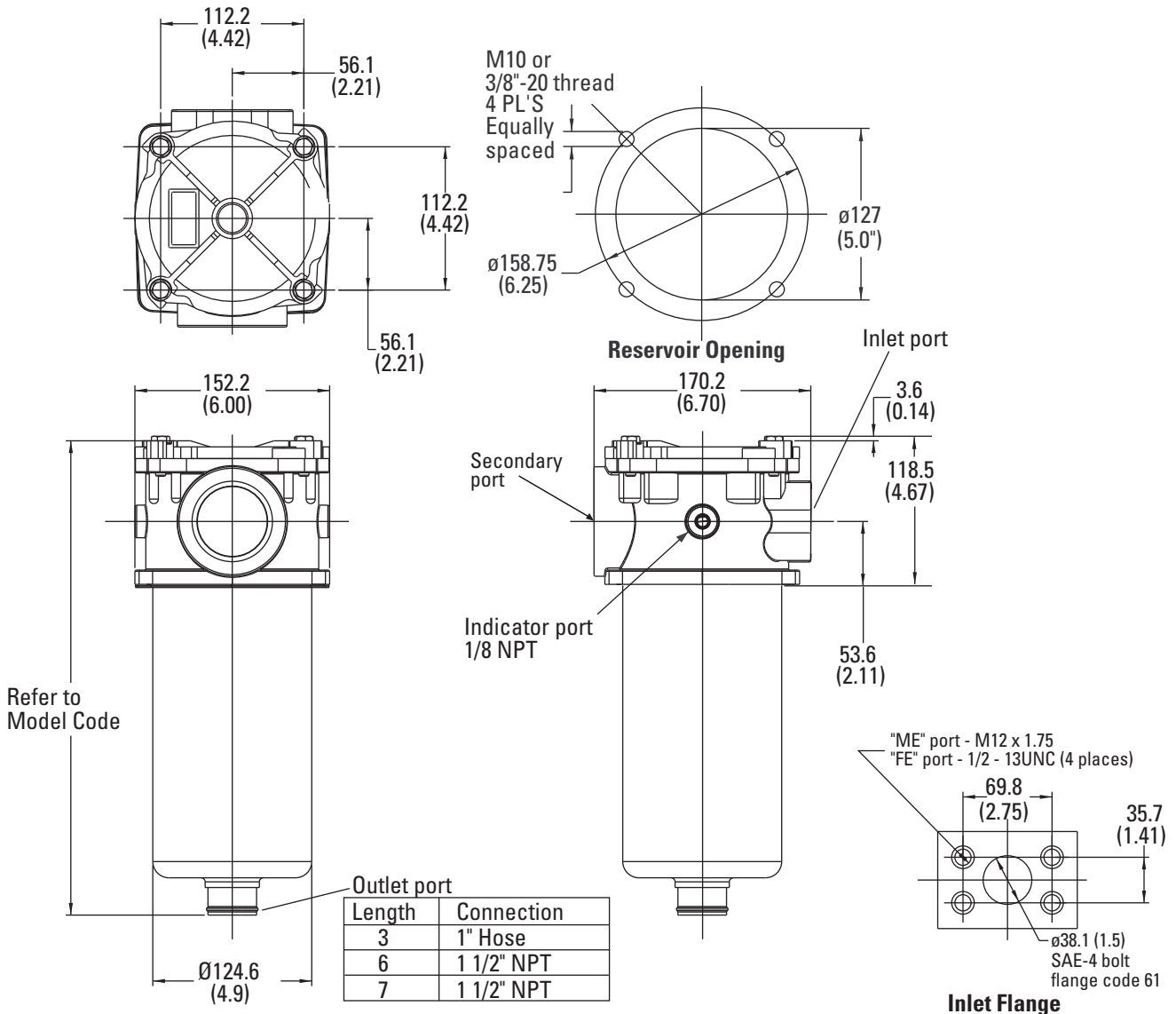
**4 Element Length**  
mm (inch)  
3 - 229 (9)  
6 - 457 (18)  
7 - 686 (27)

**5 Element Construction**  
C - C-Pak (code 03, 05, 10, 20)

6 Fluid Cleanliness Rating	
Code	Target fluid cleanliness level
03	16/14/12 or better
05	18/16/14 or better
10	20/18/15 or better
20	22/19/16 or better

### Housing Dimensions

mm (inch)



# In-tank Filters

## HF4RT Series

### Flow Data

Flows to 280 L/min (75 USgpm)  
Pressures to 50 bar (725 psi)

### Flow versus pressure drop:

150 SUS (32 cSt) oil with specific gravity of  $\leq 0.9$

### HF4RT Filter Elements Flow Data

'K' factor - bar/lpm (psi/gpm)

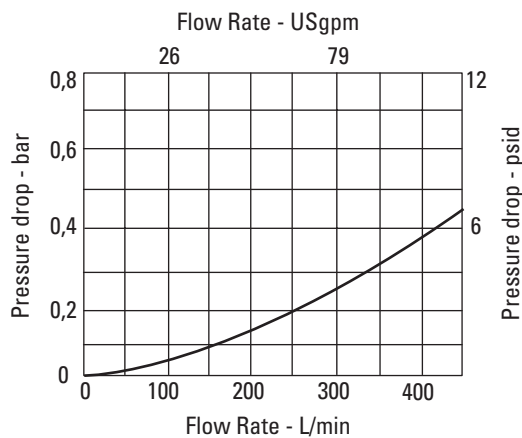
ELEMENT TYPE / SIZE		MICRON RATING			
		03	05	10	20
C -pak	3	0.003 (0.168)	0.003 (0.140)	0.001 (0.078)	0.001 (0.044)
	6	0.001 (0.080)	0.001 (0.066)	0.001 (0.037)	0.001 (0.021)
	7	0.001 (0.051)	0.001 (0.043)	0.001 (0.024)	0.001 (0.013)

Note: For flow in gpm, use the values inside the brackets.

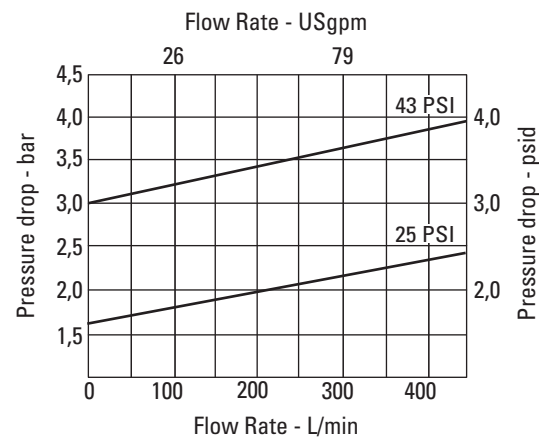
Note: The values for bar/lpm have been rounded to the third decimal.

### Housing/Bypass Valve Flow Data

#### Housing



#### Bypass Valve



### Sample $\Delta P$ Calculation :

HF4RT1SD3XX3XXBC05 - Filter assembly having '3' length filter element with micron rating code '05' at 200 L/min flow rate using a hydraulic fluid at 46 cSt viscosity & specific gravity (sp.gr.)0.8.

$\Delta P$ Assembly	=	$\Delta P$ Housing	+	$\Delta P$ Element
	=	Housing factor from graph $\times \text{sp.gr.}(\text{actual})/0.9$	+	Flow Rate (Lpm) $\times$ Element 'K' factor (bar/lpm) $\times$ [ actual cSt / 32 ] $\times$ [Sp.Gr(actual) / 0.9]
	=	$0.15 \times 0.8/0.9$	+	$200 \times 0.003 \times 46/32 \times 0.8/0.9$
	=	0.130	+	0.76
	=	<b>0.89 bar</b>		

# In-tank Filters

## OSS Suction Strainers

Flows to 380 L/min (100 USgpm)



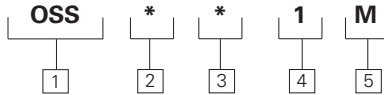
### Features and Benefits

- Filters coarse particulate to prevent pump damage

**Note:** Check or verify inlet condition before use.

### DESIGN SPECIFICATIONS

<b>Rated flow:</b>	Length 1	30 L/min (8 USgpm)
	Length 2 w/1 1/4" NPT	75 L/min (20 USgpm)
	Length 2 w/1 1/2" NPT	115 L/min (30 USgpm)
	Length 3	190 L/min (50 USgpm)
	Length 4 w/1 1/4" NPT	380 L/min (100 USgpm)
<b>Fluid compatibility:</b>	Compatible with all petroleum oils and synthetic fluids rated for use with Fluoro-Rubber or Ethylene Propylene seals.	
<b>Temp range:</b>	-28 to +100°C (-20 to +210°F)	
<b>Material:</b>	Wire Mesh	Steel
	Fittings	Nylon
<b>Dry weight:</b>	Length 1	0,2 kg. (0.4 lbs.)
	Length 2	0,3 kg. (0.6 lbs.)
	Length 3	0,5 kg. (1.1 lbs.)
	Length 4	0,8 kg. (1.8 lbs.)



### OSS Series Filter and Element Model Code

**Sample model code:**

OSS3D1M

MODEL CODE:	PART NUMBER
OSS1B1M	5003890
OSS2C1M	5003891
OSS2D1M	5003892
OSS3D1M	5003893
OSS4E1M	5003894

#### 1 Filter Series - OSS

#### 2 Length

mm (inch)

- 1** - 109 (4.3)
- 2** - 142 (5.6)
- 3** - 203 (8.0)
- 4** - 277 (10.9)

#### 3 Port Options

- B** - 3/4" NPT (Length 1 only)
- C** - 1-1/4" NPT (Length 2 only)
- D** - 1-1/2" NPT (Length 2, 3 only)
- E** - 3" NPT (Length 4 only)

#### 4 Valve Options

- 1** - Bypass set at 0.2 bar (3 psi) cracking pressure

#### 5 Construction

- M** - 100 Wire Mesh

*Items not in bold are non-standard and may have a longer lead time*



# In-tank Filters

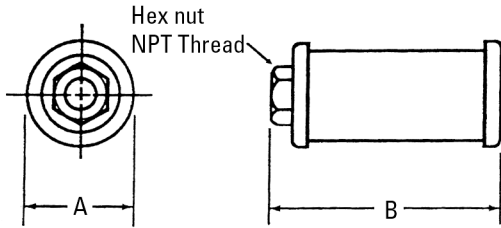
## OSS Suction Strainers

### Flow Data

#### Element Flow Data

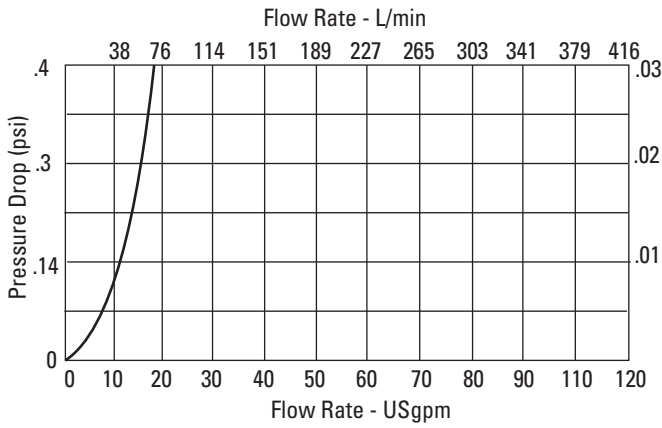
### Housing Dimensions

mm (inch)

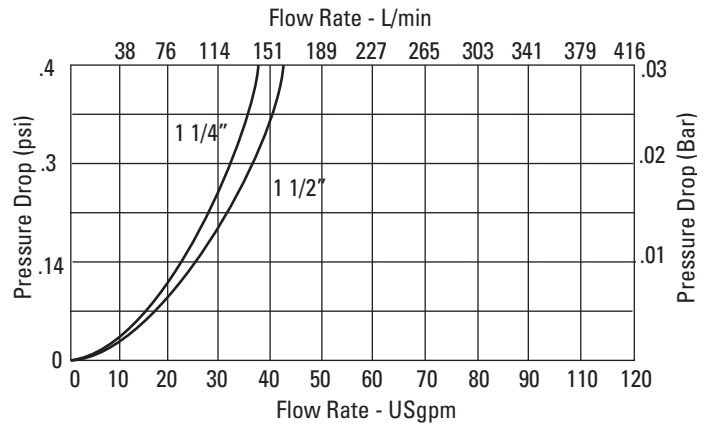


LENGTH	A MM(INCH)	B MM(INCH)	SCREEN AREA (IN <sup>2</sup> )
1	68.6 (2.7)	109.2 (4.3)	40
2	86.4(3.4)	142.2(5.6)	128
3	101.6(4.0)	208.2(8.0)	200
4	132.1(5.2)	276.9(10.9)	379

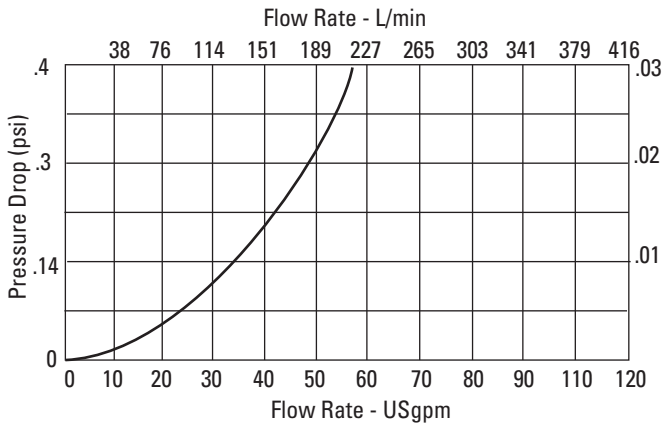
#### OSS Filter Length 1



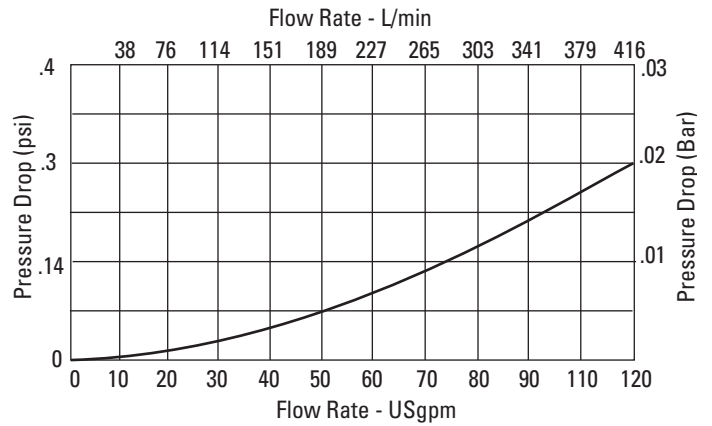
#### OSS Filter Length 2



#### OSS Filter Length 3



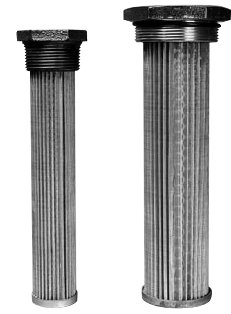
#### OSS Filter Length 4



# In-tank Filters

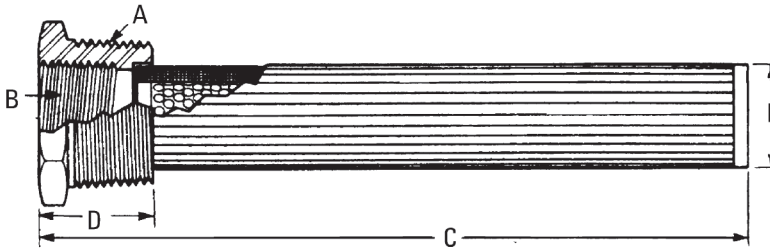
Flows to 380 L/min (100 USgpm)

## OTM Tank Mounted Strainers



### DESIGN SPECIFICATIONS

<b>Rated flow:</b>	See chart below	
<b>Housing and Element Compatibility:</b>	Compatible with all petroleum based fluids, water glycols, synthetic fluids and phosphate ester fluids	
<b>Temp range:</b>	-28 to +100°C (-20 to +210°F)	
<b>Material:</b>	Stainless Steel Cast Iron	
<b>Dry weight:</b> (Approximate with element)	Length 1 Length 2 Length 3 Length 4 Length 5 Length 6	0,1 kg. (0.20 lbs.) 0,2 kg. (0.55 lbs.) 0,3 kg. (0.65 lbs.) 0,5 kg. (1.05 lbs.) 1,0 kg. (2.15 lbs.) 1,8 kg. (4.05 lbs.)
<b>Bypass Valve:</b>	5 psid in all OTM strainers	



MODEL CODE	A	B	C	D	E	SCREEN AREA		RATED FLOW	
						(sq. cm)	(sq. inch)	L/min & USgpm	
OTM1	1" NPT	1/2" NPT	135.6 (5.3)	26.9 (1.06)	29.7 (1.1)	225.75	35	19	5
OTM2	1 1/4" NPT	3/4" NPT	207.5 (8.2)	30.4 (1.2)	34.5 (1.3)	412.80	64	38	10
OTM3	1 1/2" NPT	1" NPT	208.2 (8.2)	30.9 (1.2)	42.1 (1.6)	554.70	86	57	15
OTM4	2" NPT	1 1/4" NPT	229.6 (9.0)	34.2 (1.3)	53.8 (2.1)	806.25	125	95	25
OTM5	3" NPT	2" NPT	246.3 (9.7)	43.1 (1.7)	76.2 (3.0)	1677	260	190	50
OTM6	4" NPT	3" NPT	287 (11.3)	45.7 (1.8)	101.6 (4.0)	2031.75	315	380	100

MODEL CODE:	PART NUMBER
OTM1	<b>5003895</b>
OTM2	<b>5003896</b>
OTM3	<b>5003897</b>
OTM4	<b>5003898</b>
OTM5	<b>5003899</b>
OTM6	<b>5003900</b>

Standard items are in bold print.

# Indicating Inlet Strainers

## General Data

These units have been designed for use in the intake lines of hydraulic pumps to afford a degree of protection from contaminants to the pump and other components in the hydraulic system.

## Bypass Valve

An integral relief valve parallels the element and is preset to open at a 0.1 bar (2 psi) (standard) or 0.2bar (3 psi) (optional) pressure drop across the element. Element bypassing can be caused by excess flow rates, high fluid viscosity, dirt-loaded elements, or a combination of these.

## Air Bleed

These strainers include a standard integral air bleed. It provides faster pump priming on startup and limits the agglomeration of small air bubbles into larger ones. Large air bubbles are

detrimental to pump operation.

The unit may be mounted in any position desired. To ensure proper operation of the air bleed feature, however, the inlet port must be pointed down.

## Magnets

Magnets are available as an accessory and are installed in the filter on the outside of the element. They act to attract and retain ferrous particles of all sizes, some of which could be small enough to pass through the element mesh and into the pump if no magnets were present.

## Indicators

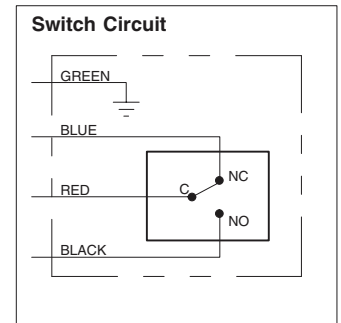
### Visual

A highly visible mechanical indicator is linked to the bypass valve. The indicator shows green when the bypass valve is closed and progressively more yellow as a warning when the element

pressure drop gets into the danger zone. Red indicates an open bypass valve. The indicator will also automatically show red, (bypass condition) if the unit is accidentally operated without an element. The visual indicator can also be reassembled to provide a "memory" function. If the protecting hood is removed and the rotary indicator turned 180° on its stem, the unit will indicate the maximum opening of the bypass and remain in that position until reset by rotating the knurled projecting knob.

## Electrical

A lever-actuated electric switch is mounted in the indicator enclosure. The switch is depressed by a cam mounted to the bypass valve just prior to the opening of the valve. This changes the completion of the electrical switch circuit from the common and the



normally closed terminals to the common and normally open terminals.

Switch actuation will also occur when the unit is accidentally operated without an element.

A 1/2" pipe tap is provided for connecting a conduit, and lengths of color coded wires are soldered to the switch terminals for connecting to the external circuit through the conduit wires. The switch contacts are rated for 5 amps resistive loading up to 250V AC.

# 10F, 50F Series Indicating Inlet Strainers

Flows to 329 L/min (87 USgpm)  
Pressure to 0.3 bar (5 psi) vacuum to 20 bar (300 psi) positive



## Features and Benefits

- Stainless elements have 149 micron (100 mesh) screen to protect pumps from solid contaminants
- Available flows to 329 L/min (87 USgpm) on pressure inlets and 254 L/min (67 USgpm) on vacuum inlets
- Standard integral air bleed feature prevents formation of large bubbles. This provides faster priming of pumps at startup and prevents pump damage
- Housing can be adapted to handle most hydraulic fluids
- Large, easy to read, standard visual indicator (or optional electrical indicator) informs operator when element needs to be cleaned
- Elements can be cleaned and reused
- Standard bypass valve protects against pump damage

## DESIGN SPECIFICATIONS

<b>Rated flow:</b>	See Table	
<b>Filtration:</b>	Filter is supplied with 149 micron (100 mesh) wire cloth element.	
<b>Fluid compatibility:</b>	Standard model is compatible with most petroleum oil, water glycol, and water-in-oil fluids. Optional seals and coatings are available for use in phosphate esters and oil-water emulsions. See fluids and seals note in model code.	
<b>Temp range:</b>	-40°C to + 107°C (-40°F to 225°F)	
<b>Pressure rating:</b>	10F and 50F	0,3 bar (5 psi)
<b>Material:</b>	Cover Housing	Die Cast Aluminum Cast Aluminum
<b>Dry weight:</b>	10F	2,5kg (5.5 lbs)
<b>Approximate</b>	50F	5,7kg (12.5 lbs)

## Maximum Flow Ratings

This table presents recommendations for use in both pressurized inlet systems and the more common vacuum inlet systems. The effects of fluid viscosity, specific gravity, and fluid flow rate on the pump inlet system (including the filter) have been taken into consideration. Even with a bypass condition in effect due to element dirt loading, a margin of pump protection is still afforded.

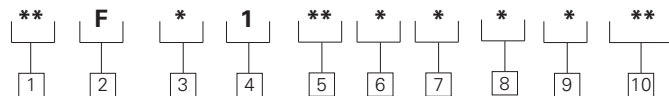
MODEL SERIES	VACUUM INLET*		PRESSURIZED INLET**	
	NORMAL SERVICE†	SPECIAL SERVICE††	NORMAL SERVICE†	SPECIAL SERVICE††
10FA	45 (12)	30 (8)	61 (16)	42 (11)
50FB	106 (28)	76 (20)	140 (37)	95 (25)
50FC	178 (47)	125 (33)	257 (68)	167 (44)
50FD	254 (67)	178 (47)	329 (87)	238 (63)

\* 0.3 bar (5 psi) vacuum to 0 bar (0 psi)

\*\* 0 bar (0 psi) to 20 bar (300 psi)

† For use with petroleum oil up to 48 cSt (225 SUS) with less than 457mm (18") lift on vacuum applications.

†† For use with petroleum oils above 48 cSt (225 SUS) and fire resistant fluids.



## Model Code

### Sample model code:

10FA1BBMB3X12

### 1 Package Size

10 - 10 size  
50 - 50 size

### 2 Model Series

F - Indicating type inlet filter

### 3 Port Size

A - 1" (10F)  
B - 1-1/2" (50F)  
C - 2" (50F)  
D - 2-1/2" (50F)

### 4 Mean Filtration Rating

1 - 149 micron (100 mesh)

### 5 Port Type

BB - G1 (formerly 1" BSPF) thd. (10F only)  
FF - 4-bolt SAE flange  
SS - SAE straight thd. in housing (except 50FD)  
PF - Inlet: NPTF pipe thd. in housing  
Outlet: 4-bolt SAE flange  
SF - Inlet: SAE Straight thd. in housing  
Outlet: 4-bolt SAE flange (except 50FD)

### 6 Indicator

E - Electrical  
L - Less (without) indicator parts  
M - Mechanical

### 7 Seals

B - Buna - N  
V - Viton

### 8 Bypass valve

3 - 0.2 bar (3 psi) differential opening pressure  
2 - 0.1 bar (2 psi) differential opening pressure

### 9 Option

M - Magnets  
X - No Magnets

### 10 Design Number

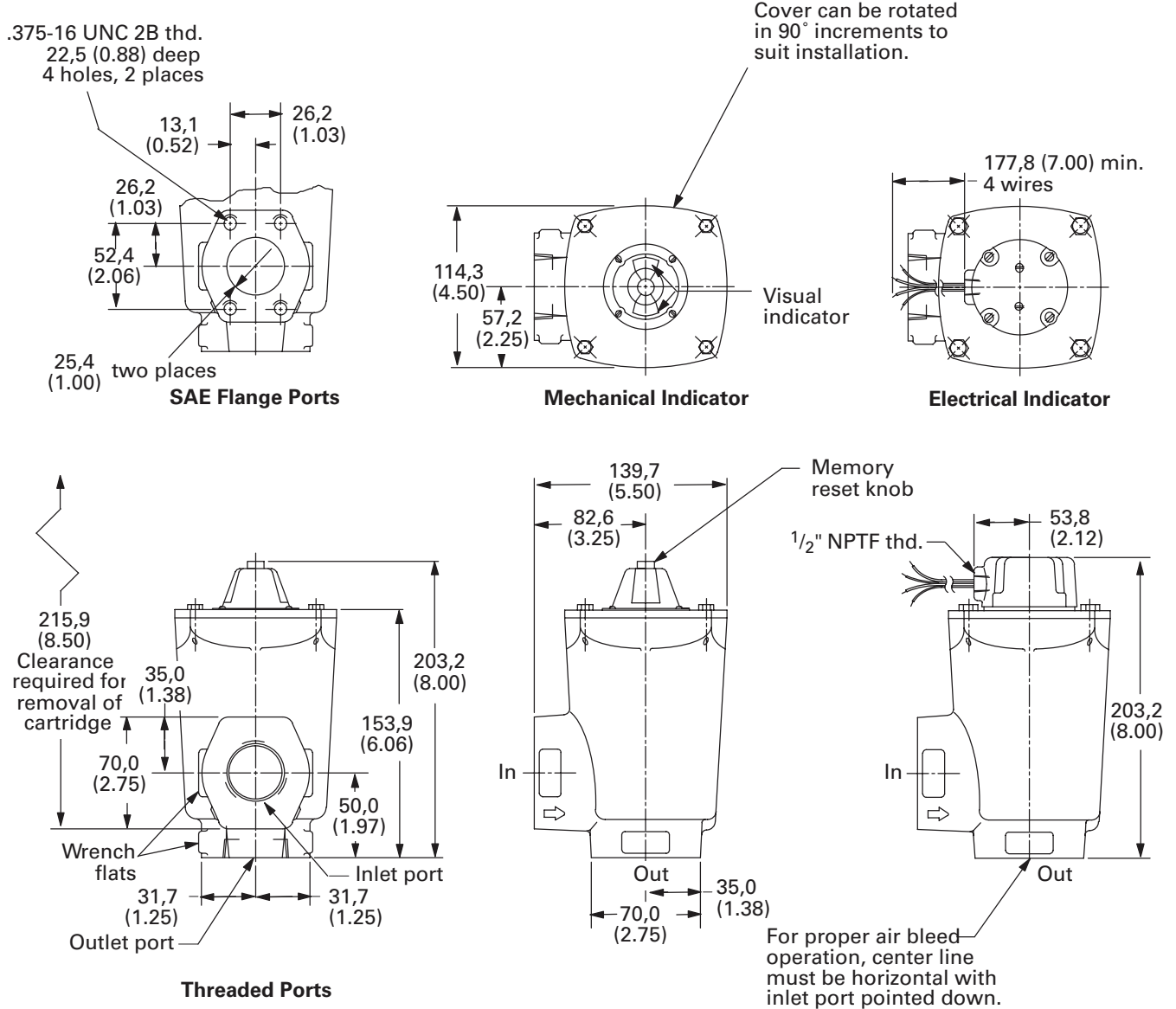
12 - Mechanical indicator or no indicator  
20 - Electrical indicator

# 10F Series

## Indicating Inlet Strainers

### 10FA Model Series

mm (inch)



ELEMENT AREA CM <sup>2</sup> (IN <sup>2</sup> )	INLET AND OUTLET PORT THREADS				
	PIPE THREAD*	SAE STRAIGHT THREAD	TUBE SIZE	NPTF FLANGE*	WELDED FLANGE
419.4 (65)	1" NPTF G1 (1" BSPF)	1.312-12 UN	1.000	FLI-8-08P-10	FLI-8-08W-10

\*Not recommended

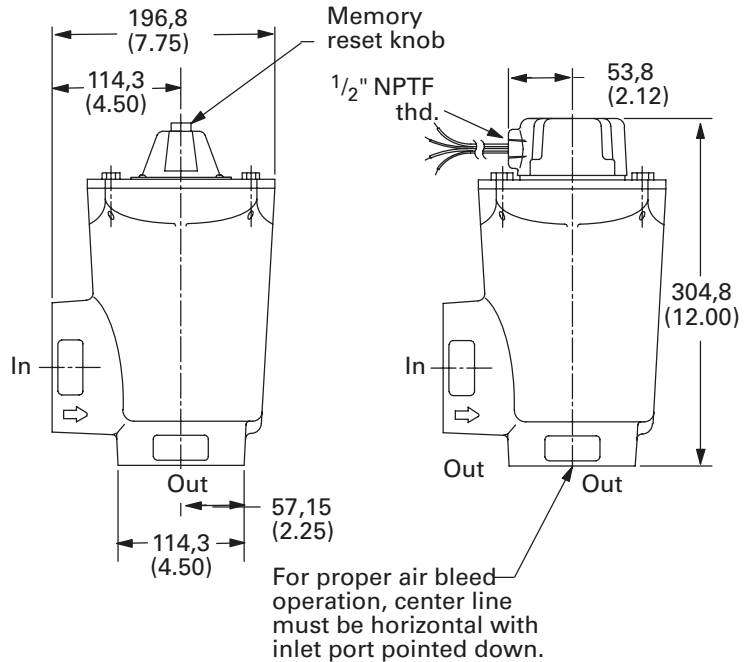
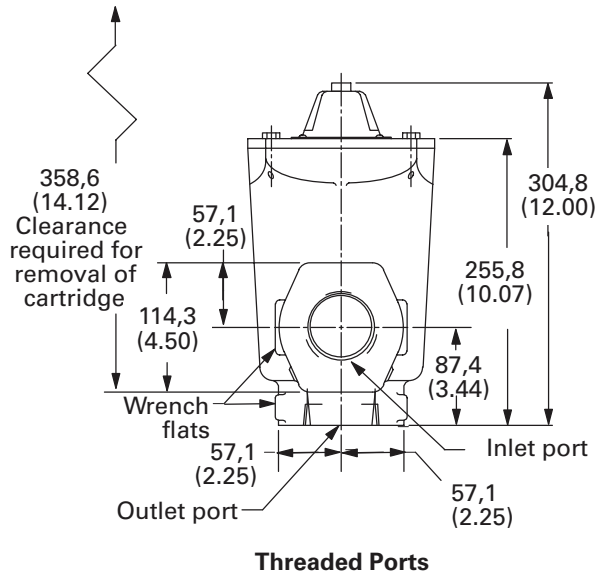
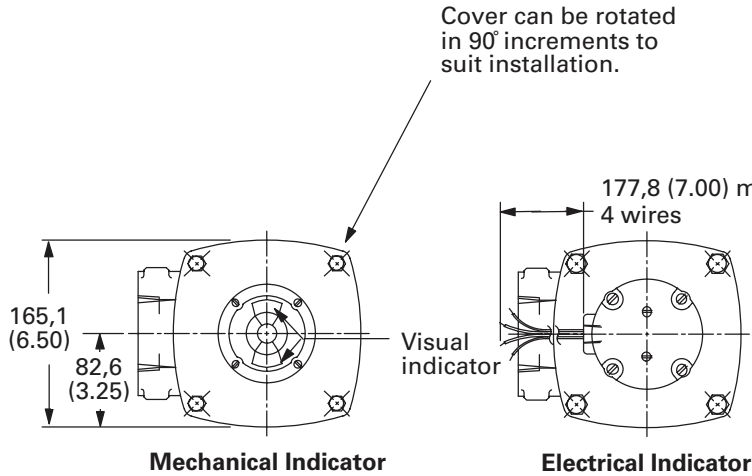
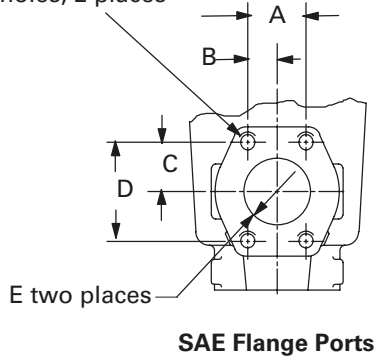
# 50F Series

## Indicating Inlet Strainers

### 50F\* Model Series

mm (inch)

.500-13 UNC 2B thd.  
26,9 (1.06) deep  
4 holes, 2 places



MODEL	ELEMENT AREA CM <sup>2</sup> (IN <sup>2</sup> )	INLET AND OUTLET PORT THREADS					SAE FLANGE PORT DIMENSIONS				
		PIPE THREAD*	SAE STRAIGHT THREAD	TUBE SIZE	NPTF FLANGE*	WELDED FLANGE	A	B	C	D	E
50FB	645,2 (100)	1 1/2"	1.875-12 UN	1.50	FLI-12-12P-10	FLI-12-12W-10	35,7 (1.41)	17,8 (0.70)	35,1 (1.38)	69,8 (2.75)	38,1 (1.50)
50FC	1419,4 (220)	2"	2.500-12 UN	2.00	FLI-16-16P-10	FLI-16-16W-10	42,9 (1.68)	21,3 (0.84)	38,9 (1.53)	77,8 (3.06)	50,8 (2.00)
50FD	1419,3 (220)	2 1/2"	-	-	FLI-20-20P-10	FLI-20-20W-10	50,8 (2.00)	25,4 (1.00)	44,4 (1.75)	88,9 (3.50)	63,5 (2.50)

\*Not recommended



# Spin-on Filters

## General Data

Spin-on filters typically consist of a head mounted directly in-line with the return piping and a canister containing an element which screws onto a threaded post. The canister seals to the head to prevent leakage.

These are an effective and economical choice of filter where the return line pressure is low and there are no large flow surges with the return line. They are also easily installed without specialty equipment or tooling.

## Applications

- Agricultural equipment - tractors, spreaders, harvesters
- Metal forming presses
- Strapping systems
- Brush Chippers
- Turf maintenance equipment
- Small power units





# Spin-on Filters

## OFRS15

Flows to 57 L/min (15 USgpm)  
Pressures to 7 bar (100 psi)

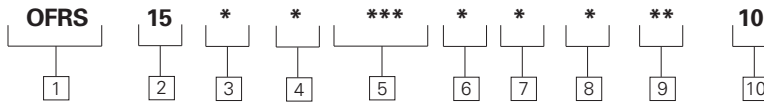


### Features and Benefits

- Simple spin-on element design for easy maintenance
- Bypass valves prevent excessive pressure drop and accidental element collapse
- Two available ports for use as gauge and/or diagnostic ports

### DESIGN SPECIFICATIONS

<b>Rated flow:</b>	57 L/min 15 USgpm)	
<b>Fluid compatibility:</b>	Compatible with most most petroleum oil, water glycol, oil-in-water and water-in-oil fluids.	
<b>Temp range:</b>	40°C to +107°C (-40°F to +225°F)	
<b>Pressure rating:</b>	Operating	7 bar (100 psi)
<b>Material:</b>	Head	Die cast aluminum
	Bowl	Carbon steel
<b>Dry weight:</b>	1,0 kg (2.2 lbs.)	



### OFRS15 Series Filter and Element Model Code

#### Sample model code:

OFRS15S2R03PBE1010

#### 1 Filter Series - OFRS

#### 2 Flow Rating

15 -15 USgpm (57 L/min)

#### 3 Port Type

B - G1 to ISO 228  
P - 1in NPT  
S - 1.312-12 UN SAE-16 straight thd.

#### 4 Assembly Length

mm (inch)  
1 - 194,6 (7.7)  
2 - 250,4 (9.9)  
X - no element

#### 5 Fluid Cleanliness Rating

Code Target fluid cleanliness level

R03 16/14/12

R05 18/16/14

R10 20/18/15

XXX - no element

#### 6 Pressure Gauge Option

P - Pressure gauge 0-8 bar (0-120 psi);l p/n 736129

C - Color Coded Pressure Gauge (For use with 1.7 bar (25 psi) bypass only); p/n P-232965-01

X - No Gauge

#### 7 Inlet Gauge Port Location (1/8" NPT)

B - Location B

X - No Gauge

#### 8 Outlet Gauge Port Location (1/8" NPT)

E - Location E

X - No Gauge

#### 9 Bypass Valve

10 -Bypass valve set at 0.6 bar (10 psi)

25 - Bypass valve set at 1.7 bar (25 psi)

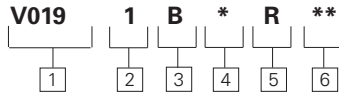
#### 10 Design Number

10 - Standard Design

# Spin-on Filters

## OFRS15

Flows to 57 L/min (15 USgpm)  
Pressures to 7 bar (100 psi)



### V019 Element Model Code

Sample model code:  
V0191B2R03

**1 Series Designation**  
V019 - Filter element for use with OFRS15

**2 Element Collapse Rating**  
1 - 10 bar (150 psi)

**3 Seal Material**  
B - Buna-N

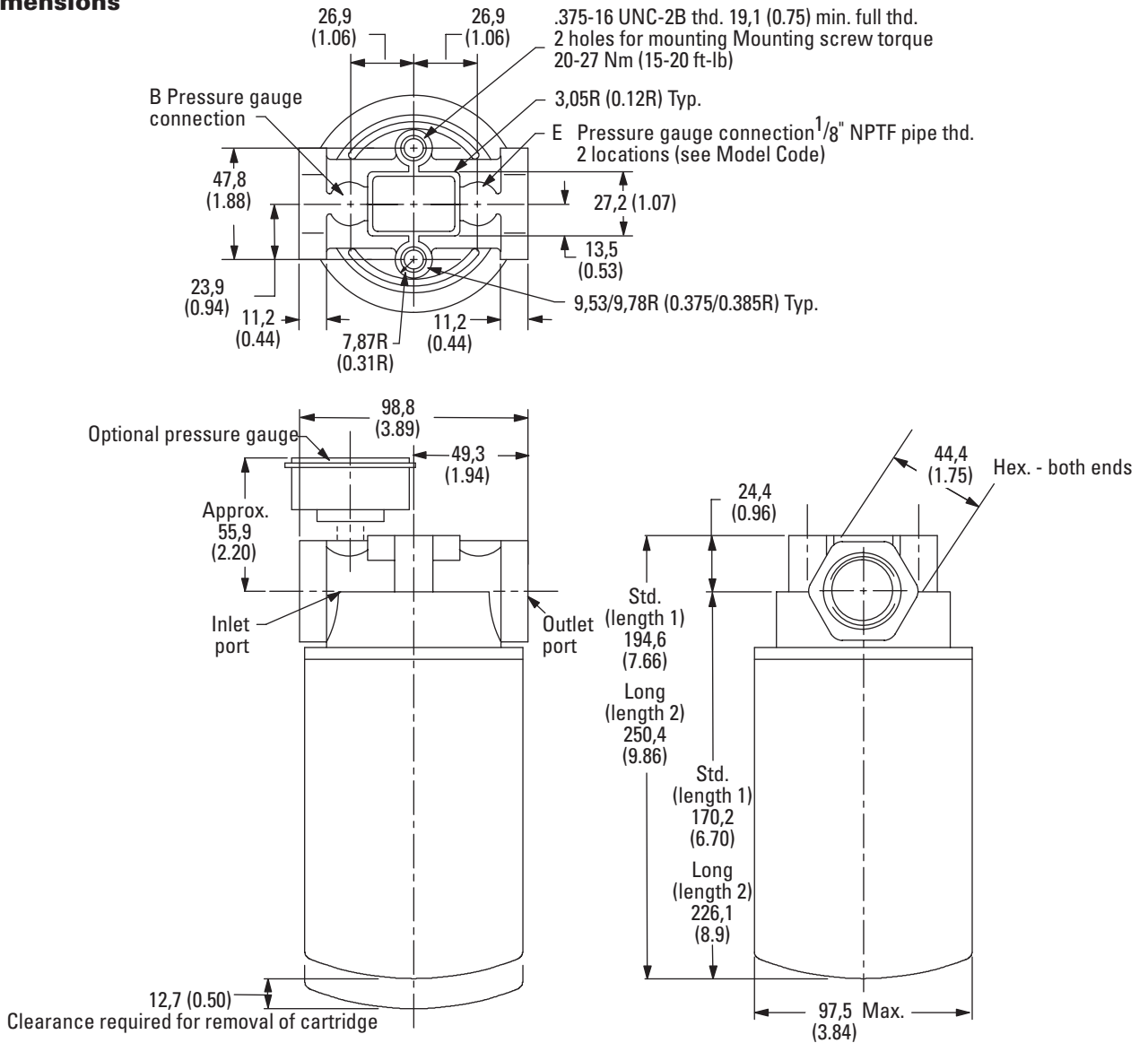
**4 Element Length**  
mm (inch)  
1 - 147 mm (5.8 in)  
2 - 203 mm (8.0 in)

**5 Element Construction**  
R - R-Pak

6 Fluid Cleanliness Rating	
Code	Target fluid cleanliness level
03	16/14/12
05	18/16/14
10	20/18/15

### Housing Dimensions

mm (inch)



# Spin-on Filters

## OFRS15

### Flow Data

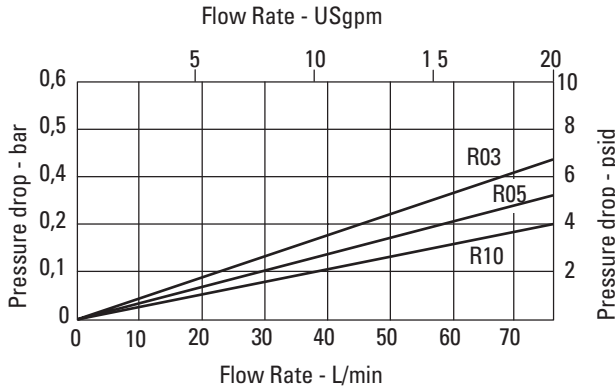
Flows to 60 L/min (15 USgpm)  
Pressures to 7 bar (100 psi)

#### Flow versus pressure drop:

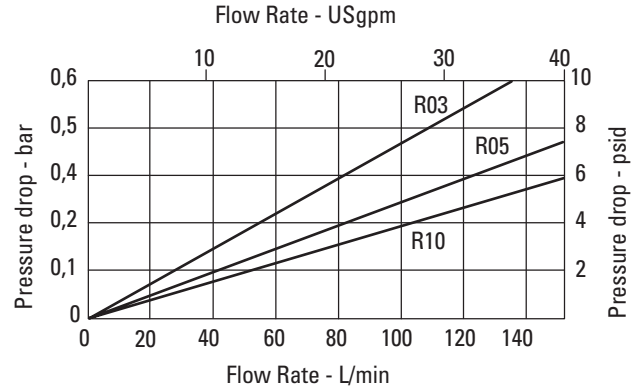
150 SUS (32 cSt) oil with specific gravity of  $\leq 0.9$

### Element Flow Data

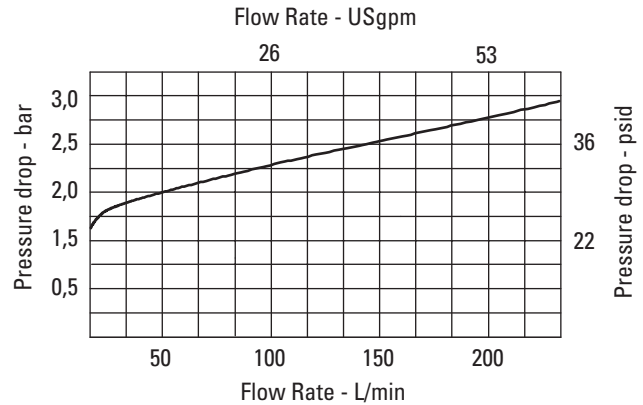
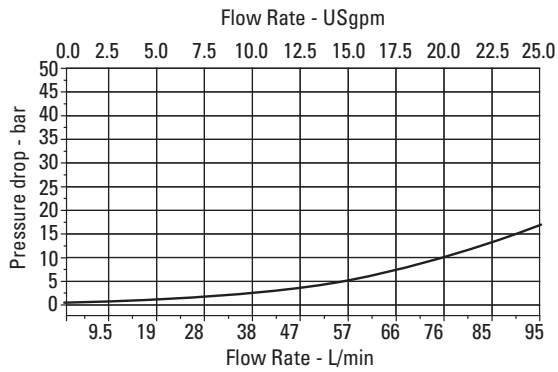
OFRS 15 Element Length 1



OFRS 15 Element Length 2



### Housing/Bypass Valve Flow Data



### Sample $\Delta P$ Calculation :

OFRS15S2R03PBE1010 - Filter assembly having '2' length spinon filter element with micron rating code '03' at 50 L/min flow rate using a hydraulic fluid at 46 cSt viscosity & specific gravity (sp.gr.)0.8.

$\Delta P$ Assembly	=	$\Delta P$ Housing	+	$\Delta P$ Element
	=	Housing $\Delta P$ from graph $\times$ sp.gr.(actual)/0.9	+	Element $\Delta P$ valve from from graph(bar/lpm) $\times$ [ actual cSt / 32 ] $\times$ [Sp.Gr(actual) / 0.9]
	=	0.4 $\times$ 0.8/0.9	+	0.08 $\times$ 46/32 $\times$ 0.8/0.9
	=	0.350	+	0.1
	=	<b>0.45 bar</b>		

# Spin-on Filters

## OFRS25

Flows to 95 L/min (25 USgpm)  
Pressures to 7 bar (100 psi)

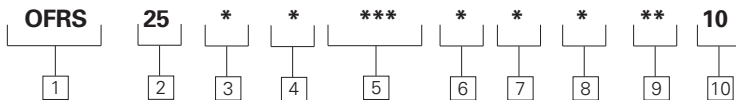


### Features and Benefits

- Simple spin-on element design for easy maintenance
- Bypass valve prevents excessive pressure drop and accidental element collapse
- Six available ports for use as gauge and/or diagnostic ports

### DESIGN SPECIFICATIONS

<b>Rated flow:</b>	Length 1	55 L/min (15 USgpm)
	Length 2	95 L/min (25 USgpm)
<b>Fluid compatibility:</b>	Suitable for use with petroleum based, oil-water emulsions, high water based and most water-glycol fluids.	
<b>Temp range:</b>	40°C to +107°C (-40°F to +225°F)	
<b>Pressure rating:</b>	Operating	7 bar (100 psi)
<b>Material:</b>	Head	Die cast aluminum
	Canister	Carbon steel
<b>Dry weight:</b>	0,9 kg (2.0 lbs)	



### OFRS25 Series Filter and Element Model Code

#### Sample model code:

OFRS25S1R03PAF2510

#### 1 Filter Series - OFRS

#### 2 Flow Rating

25 - 25 USgpm (95 L/min)

#### 3 Port Type

B - G1 (formerly 1" BSPF) thd.  
F - 1" SAE-4-bolt flange code 61  
P - 1" NPTF  
S - 1.312-12 UN SAE-16 straight thd. for 1" OD tube

#### 4 Assembly Length

mm (inch)  
1 - 194,1 (7.6)  
2 - 250,4 (9.9)  
X - no element

#### 5 Fluid Cleanliness Rating

Target fluid cleanliness level

R03 16/14/12

R05 18/16/14

R10 20/18/15

XXX no element

#### 6 Pressure Gauge Option

P - Pressure gauge 0-120 psi (0-8 bar); p/n 736129  
X - No Gauge

#### 7 Inlet Gauge Port Location (1/8" NPTF)

A - Location A  
B - Location B  
C - Location C  
X - No Gauge

#### 8 Outlet Gauge Port Location (1/8" NPTF)

D - Location D  
E - Location E  
F - Location F  
X - No Gauge

**NOTE: Gauges cannot be mounted side by side. If inlet and outlet gauges are required, specify non-adjacent ports such as A and E.**

#### 9 Bypass Valve

XX - Non-bypass  
25 - Bypass valve set at 1.7 bar (25 psi)

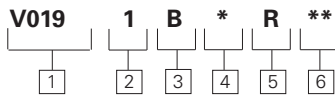
#### 10 Design Number

10 - Standard Design

# Spin-on Filters

## OFRS25

Flows to 95 L/min (25 USgpm)  
Pressures to 7 bar (100 psi)



### V019 Element Model Code

Sample model code:  
V0191B2R03

- 1 Series Designation**  
V019 - Filter element for use with OFRS25

---

- 2 Element Collapse Rating**  
1 - 10 bar (150 psi)

---

- 3 Seal Material**  
B - Buna-N

- 4 Element Length**  
mm (inch)  
1 - 147 (5.8)  
2 - 203 (8.0)

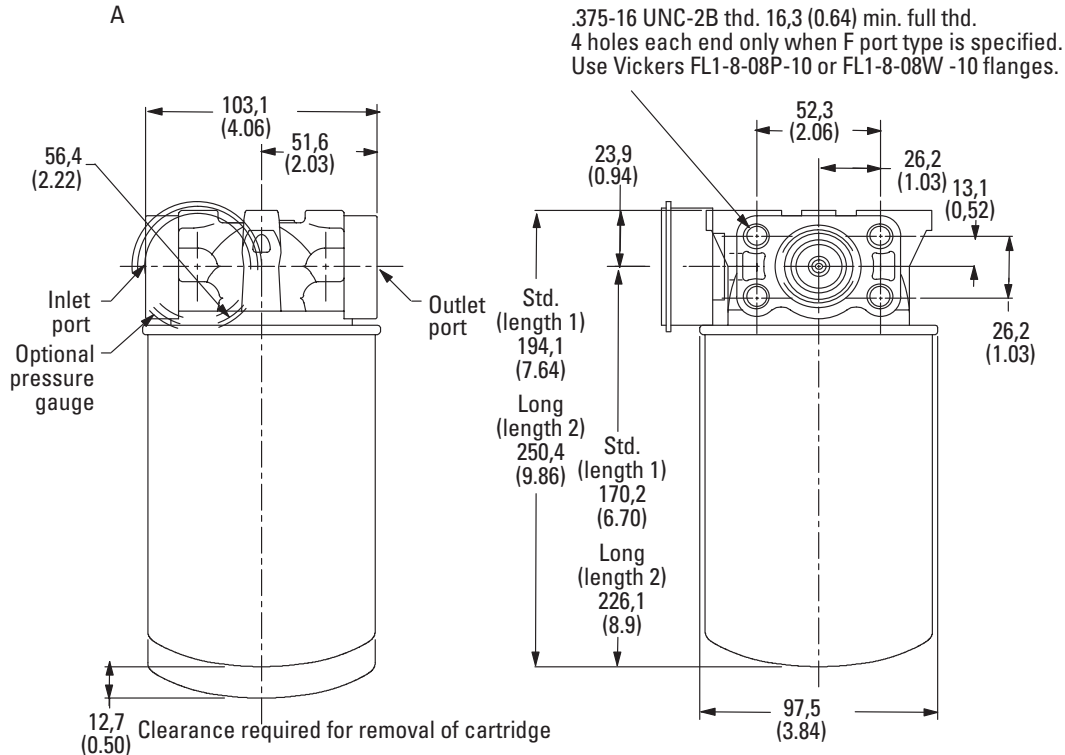
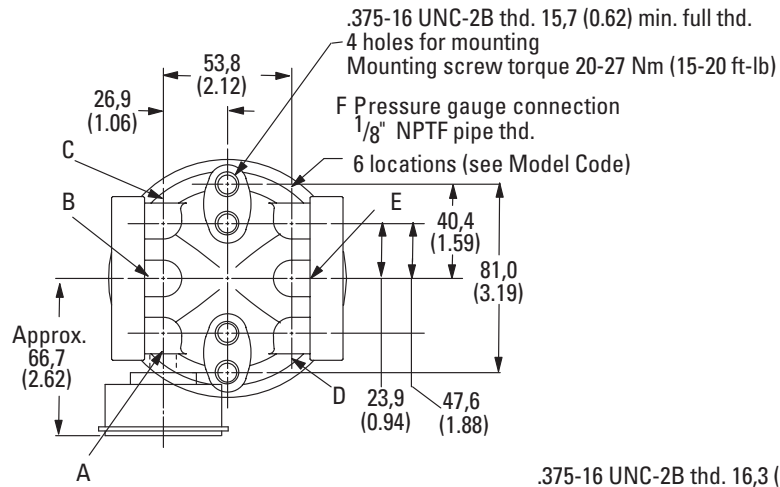
---

- 5 Element Construction**  
R - R-Pak

6 Fluid Cleanliness Rating	
Code	Target fluid cleanliness level
03	16/14/12
05	18/16/14
10	20/18/15

### Housing Dimensions

mm (inch)



# Spin-on Filters

Flows to 95 L/min (25 USgpm)  
Pressures to 7 bar (100 psi)

## OFRS25

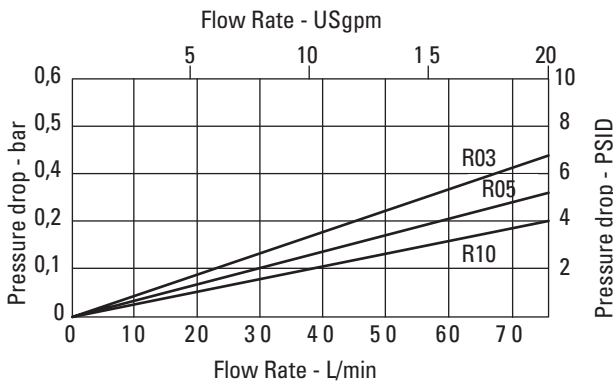
### Flow Data

#### Flow versus pressure drop:

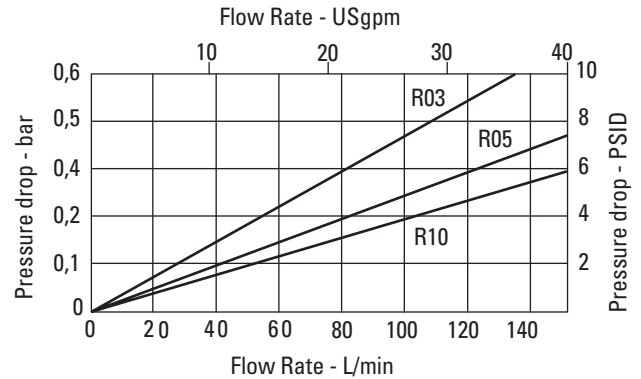
150 SUS (32 cSt) oil with specific gravity of  $\leq 0.9$

### Element Flow Data

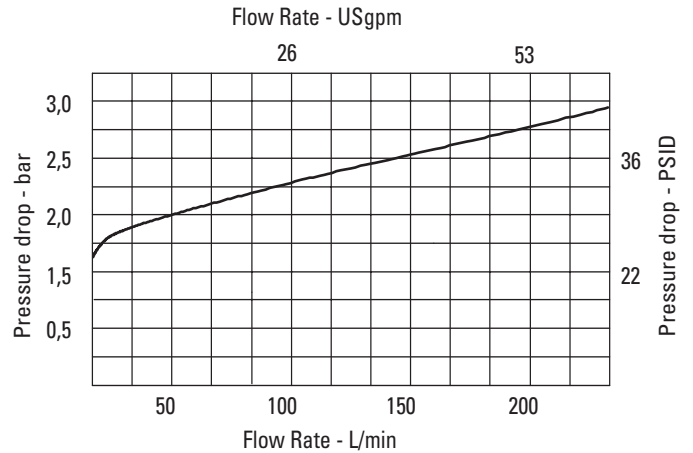
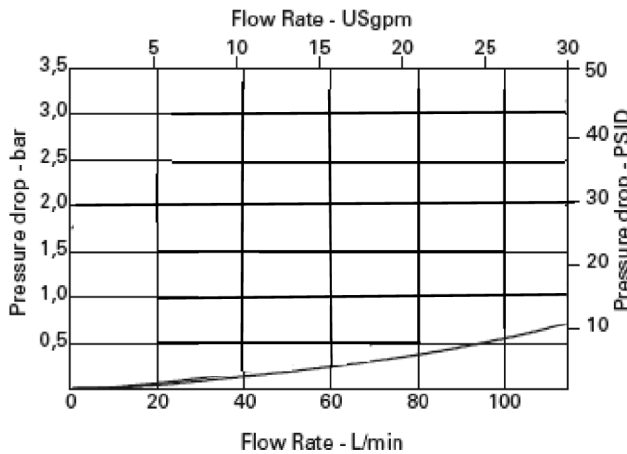
OFRS Element Length 1



OFRS Element Length 2



### Housing/Bypass Valve Flow Data



### Sample $\Delta P$ Calculation :

OFRS25S1R03PAF2510 - Filter assembly having '1' length spinon filter element with micron rating code '03' at 70 L/min flow rate using a hydraulic fluid at 46 cSt viscosity & specific gravity (sp.gr.)0.8.

$\Delta P$ Assembly	=	$\Delta P$ Housing	+	$\Delta P$ Element
	=	Housing $\Delta P$ from graph $\times$ sp.gr.(actual)/0.9	+	Element $\Delta P$ valve from from graph(bar/lpm) $\times$ [ actual cSt / 32 ] $\times$ [Sp.Gr(actual) / 0.9]
	=	0.25 $\times$ 0.8/0.9	+	0.42 $\times$ 46/32 $\times$ 0.8/0.9
	=	0.220	+	0.53
	=	<b>0.75 bar</b>		

# Spin-on Filters

## OFSS30

Flows to 113 LPM (30 USgpm)  
Pressures to 10 bar (150 psi)



### Features and Benefits

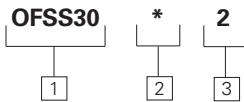
- Simple spin-on element design for easy maintenance
- Bypass valves prevent excessive pressure drop and accidental element collapse
- Two available ports for use as gauge and/or diagnostic ports

### DESIGN SPECIFICATIONS

<b>Rated flow:</b>	115 L/min (30 USgpm)	
<b>Temp range:</b>	-27°C to +107°C (-20°F to +225°F)	
<b>Pressure rating:</b>	Operating	10 bar (150 psi)
	Fatigue	20 bar (300 psi)
<b>Material:</b>	Head	Die cast aluminum
	Bowl	Carbon steel
<b>Dry weight:</b>	1,0 kg (2.2 lbs.)	

**Filter Heads, Elements and Indicator must be ordered separately for OFSS30 Filters.**  
**Note: Only 1 indicator gauge option available, P/N 5003906.**

**Example:**      **OFSS30E2**      **Filter Head**  
                          **V176CBR05**      **Element**  
                          **5003906**      **Indicator Gauge**



### OFSS30 Series Filter Head Model Code

Sample model code:

OFSS30B2

MODEL CODE:	PART NUMBER
OFSS30B2	5003904
OFSS30E2	5003905

**1** Filter Series - OFSS30

**2** Port Options

**B** - 3/4" NPT  
**E** - SAE 12

**3** Valve Options

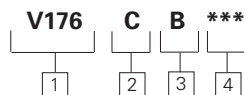
**2** - Bypass set at 1.7 bar (25 psi) cracking pressure

### V176 Element Model Code

Sample model code:

V176CBR10

MODEL CODE:	PART NUMBER
V176CBR05	5003901
V176CBR10	5003902
V176CBW15	5003903



**1** Series Designation

**V176** - For use with OFSS30 spin-ons

**2** Element Collapse Rating

**C** - 6.9 bar (100 psi) Low Collapse

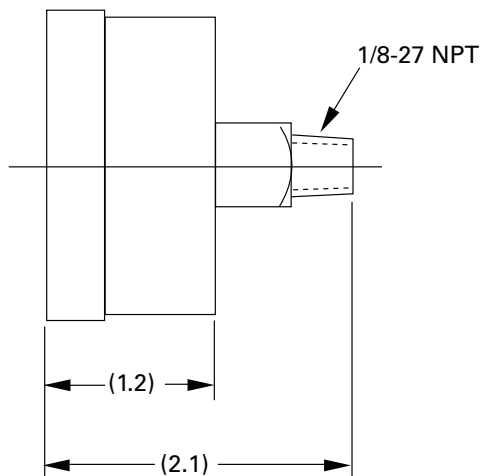
**3** Seal Material

**B** - Buna-N

**4** Fluid Cleanliness Rating

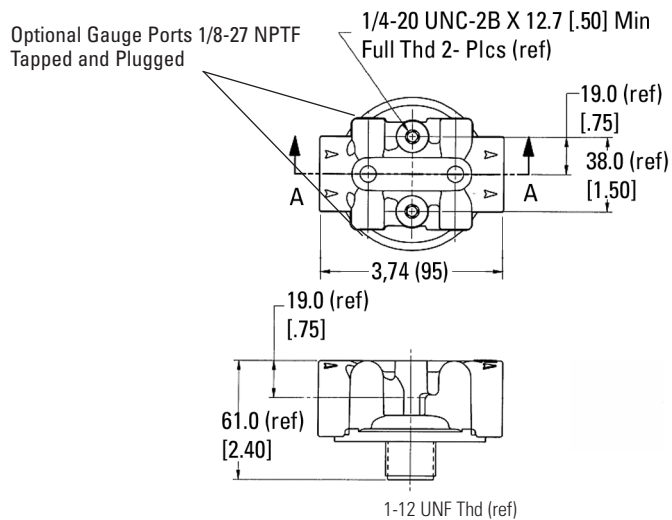
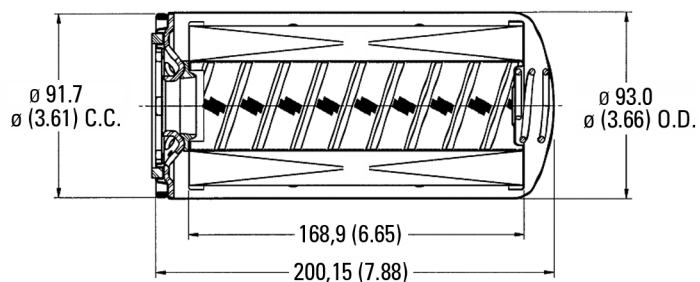
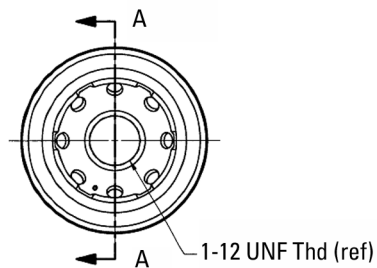
Code	Target fluid cleanliness level
<b>R05</b>	18/16/14
<b>R10</b>	20/18/15
<b>W15</b>	Water Removal





### Housing Dimensions

mm (inch)



# Spin-on Filters

## OFRP35 Series

Flows to 130 L/min (35 USgpm)  
Pressures to 35 bar (500 psi)



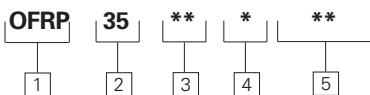
### Features and Benefits

- Ideal for charge pump applications and hydrostatic transmissions
- Spin-on element design for easy maintenance
- One port available for use with electric indicator
- Bypass valves prevent excessive pressure drop and accidental element collapse

### DESIGN SPECIFICATIONS

<b>Rated flow:</b>	130 L/min (35 USgpm)	
<b>Fluid compatibility:</b>	Compatible with most petroleum oil, water glycol, oil-in-water and water-in-oil fluids.	
<b>Temp range:</b>	-29°C to +121°C (-20°F to +250°F)	
<b>Pressure rating:</b>	Operating	35 bar (500 psi)
	Fatigue	35 bar (500 psi)
<b>Material:</b>	Head	Die cast aluminum
	Bowl	Steel, cold rolled
<b>Dry weight: (Approximate)</b>	Length 1	1,0 kg (2.2 lbs.)
	Length 2	2,2 kg (4.8 lbs.)

**Filter Head and Element must be ordered separately for OFRP35 Filters.**



### OFRP35 Series Filter Head Model Code

#### Sample model code for Head:

OFRP35SAV25

MODEL CODE:	PART NUMBER
OFRP35SAV25	5002466
OFRP35STE50	5002467
OFRP35SBV25	5002468
OFRP35SBN25	5002469

#### 1 Filter Series - OFRP

#### 2 Flow rating

**35** - 132.5 L/min (35 USgpm)

#### 3 Port type

**SA** - 1.062 12 UN SAE-12 (3/4" tube)

**SB** - 1.312 12 UN SAE-16 (1" tube)

**ST** - 1.062 12 UN SAE-12 (3/4" tube) with third port to tank

#### 4 Indicator Option\*

**V** - Visual indicator left side, blank plate right side, for SA and SB ports

**N** - No indicator

**E** - Electrical, single post, 3 bar (43 psid) for ST Port only 3 bar (50 psi)

\* Indicators are included and shipped installed on "V" and "E" indicator options. Indicators may also be ordered separately as stated below:

MODEL CODE:	PART NUMBER
VI 25	5002470
EL25DC	5002471
EL25ACDC	5002472
EL50DC	5002473

#### 5 Bypass valve

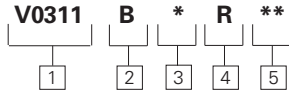
**25** -Bypass valve set at 1.7 bar (25 psi) for SA and SB ports

**50** -Bypass valve set at 3 bar (50 psi) for ST port type only

# Spin-on Filters

## OFRP35 Series

Flows to 130 L/min (35 USgpm)  
Pressures to 35 bar (500 psi)



### V0311 Element Model Code

**Sample model code:**  
V0311B2R05

MODEL CODE:	PART NUMBER
V0311B1R05	5002474
V0311B2R05	5002475
V0311B2R12	5002476
V0311B1R08	5002477
V0311B2R08	5002478
V0311B1R18	5002479
V0311B2R18	5002480

**1 Filter Element**  
**V0311** - Filter element for use with OFRP35 only

**2 Seal material**  
**B** - Buna-N

**3 Element Length**  
mm (inch)  
**1** - 147 (6.0)  
**2** - 203 (9.4)

**4 Element Construction**  
**R** - R-Pak

**5 Fluid Cleanliness Rating**  
**Code**      **Target fluid cleanliness level**

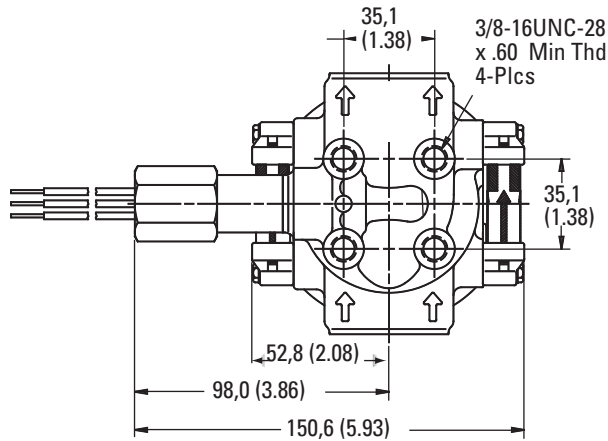
<b>05</b>	<b>18/16/14</b>
<b>08</b>	<b>19/17/14</b>
<b>12</b>	<b>20/18/15 (length 2 only)</b>
<b>18</b>	<b>22/19/16</b>

**Fluid Cleanliness Rating:**  
05, 08, 18 rated for 150 PSID collapse, 12 rated for 300 PSID collapse and recommended for ST port type

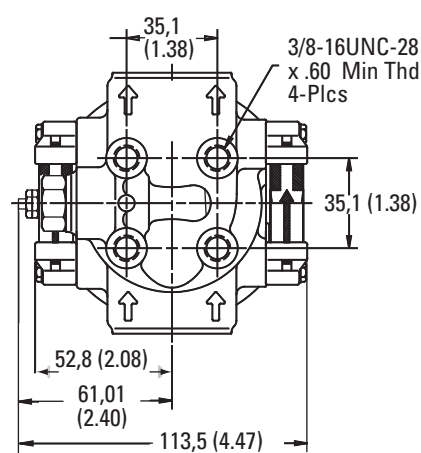
### Housing Dimensions

mm (inch)

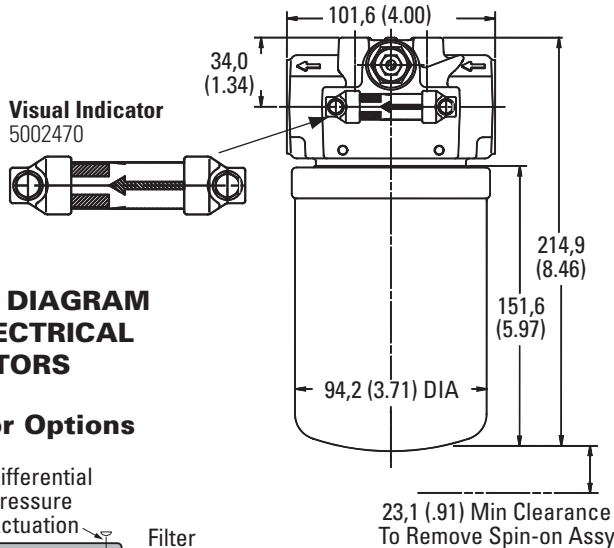
OFRP35 with optional electrical indicator



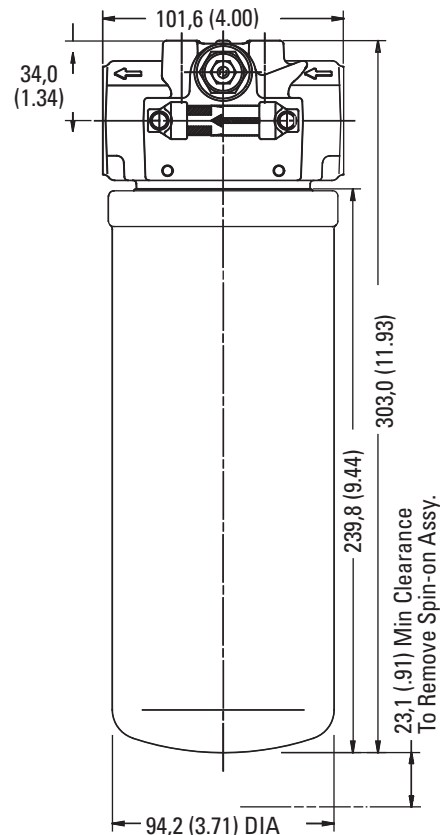
OFRP35 with optional electrical indicator



OFRP35 with B1 Length Filter Element

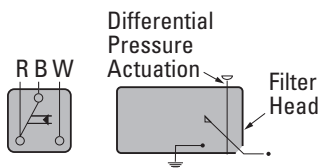


OFRP35 with B2 Length Filter Element



### WIRING DIAGRAM FOR ELECTRICAL INDICATORS

#### Indicator Options



5002472	5002471	5002473	5002470
3 wire AC/DC	Single post	Single post	Visual
2 amps at 24 V DC 2 amps at 110 V AC	6-30 V DC	6-30 V DC	N/A
25 psid	25 psid	50 psid	25 psid
EL25ACDC	EL25DC	EL50DC	VI25

# Spin-on Filters

## OFRP35 Series

Flows to 130 L/min (35 USgpm)  
Pressures to 35 bar (500 psi)

### Flow Data

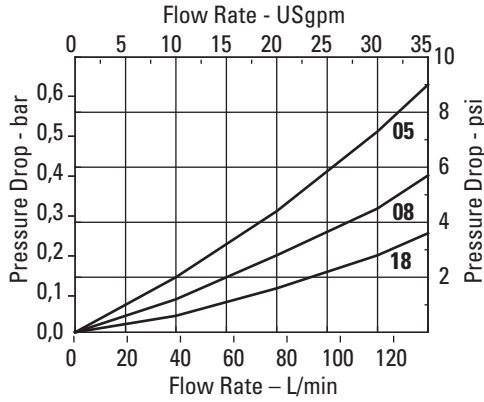
#### Flow versus pressure drop:

150 SUS (32 cSt) oil with specific gravity of  $\leq 0.9$

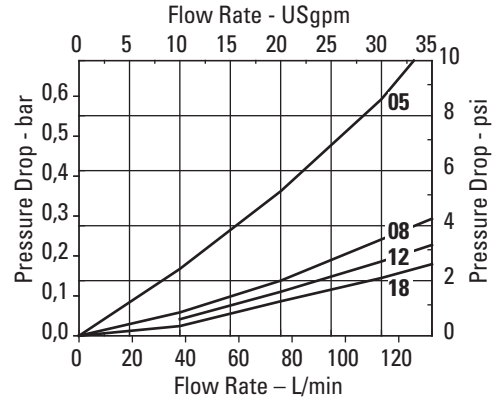
### Element Flow Data

mm (inch)

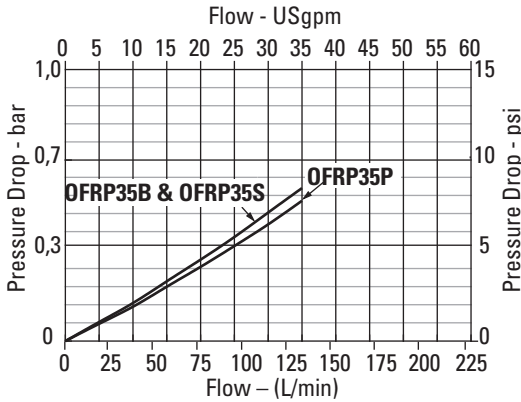
OFRP35 R-Pak Element Length 1



OFRP35 R-Pak Element Length 2



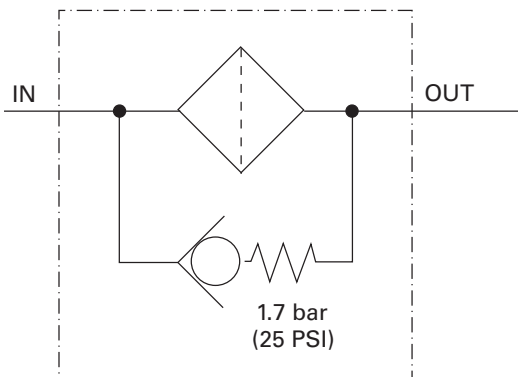
### Housing/Bypass Valve Flow Data



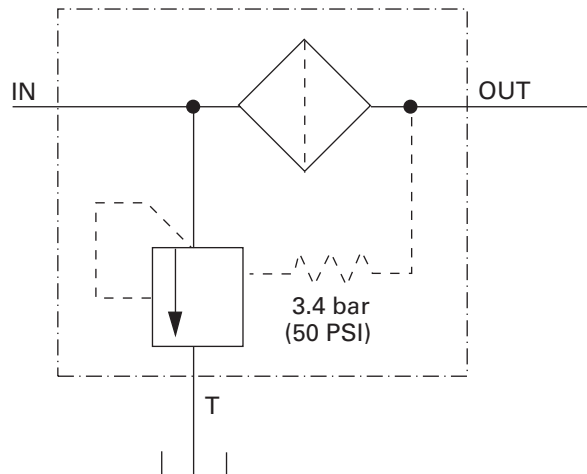
### ST Port Option



### SA and SB Port Options



### ST Port Option



# Spin-on Filters

## OFRS60 Series

Flows to 227 L/min (60 USgpm)  
Pressures to 7 bar (100 psi)

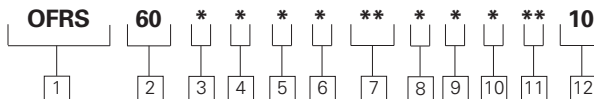


### Features and Benefits

- Available with Vickers proprietary R-Pak media
- Simple spin-on element design for easy maintenance
- Optional bypass valves prevent excessive pressure drop and accidental element collapse
- Six available ports for use as gauge and/or diagnostic ports
- H2O-Pro Water Removing Element available

### DESIGN SPECIFICATIONS

<b>Rated flow:</b>	Length 1	114 L/min (30 USgpm)
	Length 2	227 L/min (60 USgpm)
<b>Fluid compatibility</b>	Compatible with most petroleum oil, water glycol, oil-in-water and water-in-oil fluids	
<b>Temp range:</b>	40°C to +107°C (-40°F to +225°F)	
<b>Pressure rating:</b>	Operating	7 bar (100 psi)
<b>Material:</b>	Head	Die cast aluminum
	Canister	Carbon steel
<b>Dry weight:</b>	Length 1	4,4 kg (5.0 lbs)
	Length 2	5,6 kg (6.5 lbs)



### OFRS60 Series Filter and Element Model Code

#### Sample model code:

OFRS601S1R03PAF2510

**1** Series designation - OFRS

**2** Flow rating  
60 -60 USgpm (227 L/min)

**3** Mounting  
1 - Body or line mounting  
2 - Reservoir mount flange (outlet)

**4** Port type  
B - G1-1/2 (formerly 1/2" BSPF) thd.  
F - 1-1/2" SAE 4-bolt flange  
P - 1-1/2" NPTF  
S - 1.875-12 UN SAE-24 straight thd. for 1-1/2" OD tube

**5** Canister Length  
mm (inch)  
1 - 184 (7)  
2 - 286 (11)  
X - no element

**6** Element construction  
R - R-Pak (code 03,05,10,20)  
W- Water Removal (10, length 2 only)  
X - no element

**7** Fluid cleanliness rating

Code	Target fluid cleanliness level	Element Construction
03	16/14/12	R-Pak
05	18/16/14	R-Pak
10	20/18/15	R-Pak or water removal
20	22/19/16	R-Pak
XX	-	No element

**8** Pressure gauge option  
P - Pressure gauge; p/n 736129  
X - No Gauge

**9** Inlet gauge port location (1/8" NPTF)  
A - Location A  
B - Location B  
C - Location C  
X - No Gauge

**10** Outlet gauge port location (1/8" NPTF)  
D - Location D  
E - Location E  
F - Location F  
X - No Gauge  
NOTE: Gauges cannot be mounted side by side. If inlet and outlet gauges are required, specify non-adjacent ports such as A and E.

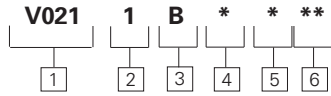
**11** Bypass valve  
XX - No bypass valve  
25 - Bypass valve set at 1.7 bar (25 psi) cracking pressure

**12** Design number  
10 -Standard Design

# Spin-on Filters

## OFRS60 Series

Flows to 227 L/min (60 USgpm)  
Pressures to 7 bar (100 psi)



### V021 Element Model Code

Sample model code:  
VO211B1R03

#### 1 Filter Element

**V021** - Filter element for use with HS22 and OFRS-60 series filters (R-Pak construction only)

#### 2 Element Collapse Rating

**1** - 10 bar (150 psi) Low Pressure

#### 3 Seal Material

**B** - Buna-N

#### 4 Canister Length

mm (inch)  
**1** - 184 (7)  
**2** - 286 (11)

#### 5 Element Construction

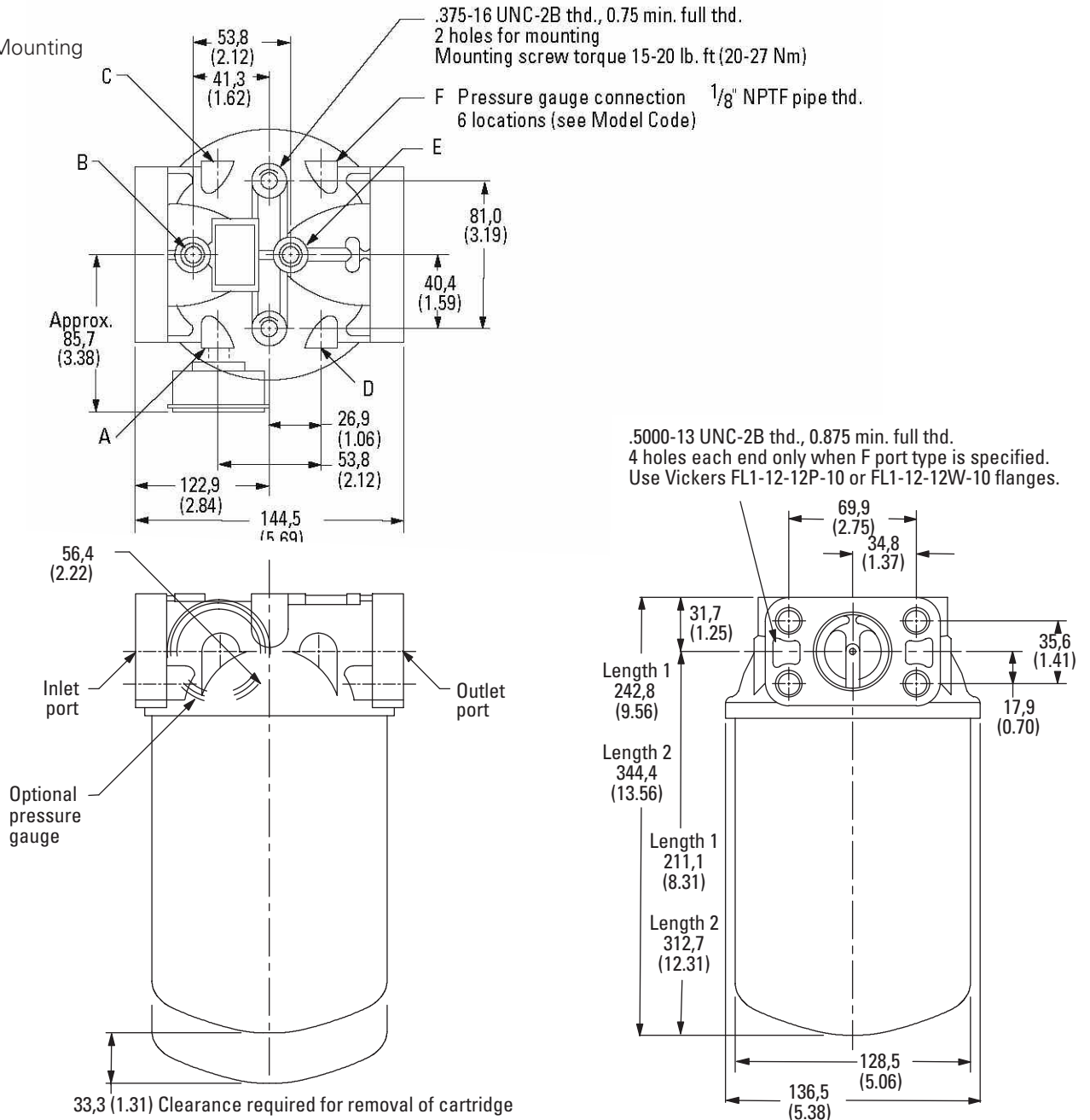
**R** - R-Pak (code 3,5,10,20)  
**W** - Water Removal (10, length 2 only)

#### 6 Fluid Cleanliness Rating

Code	Target fluid cleanliness level	Element construction
<b>03</b>	16/14/12	R-Pak
<b>05</b>	18/16/14	R-Pak
<b>10</b>	20/18/15	R-Pak or water removal
<b>20</b>	22/19/16	R-Pak

### Housing Dimensions

OFRS-60  
Body or Line Mounting  
mm (inch)



# Spin-on Filters

Flows to 227 L/min (60 USgpm)  
Pressures to 7 bar (100 psi)

## OFRS60 Series

### Housing Dimensions

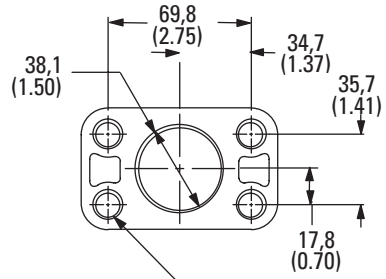
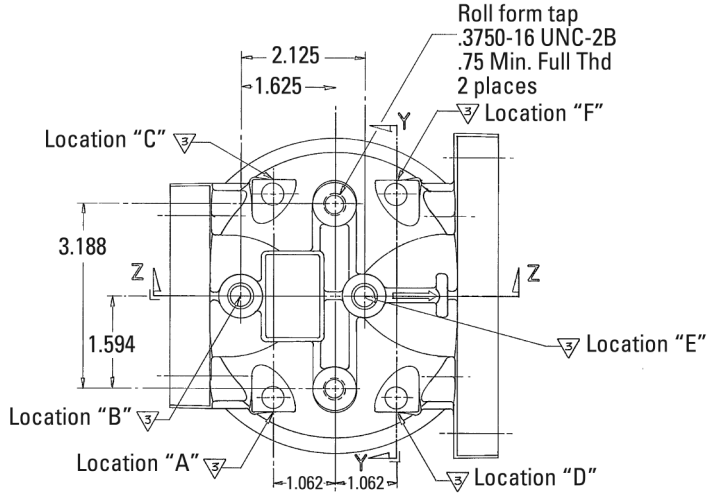
OFRS-60-2  
Manifold Mounting  
Outlet Port Connection  
mm (inch)

#### Note:

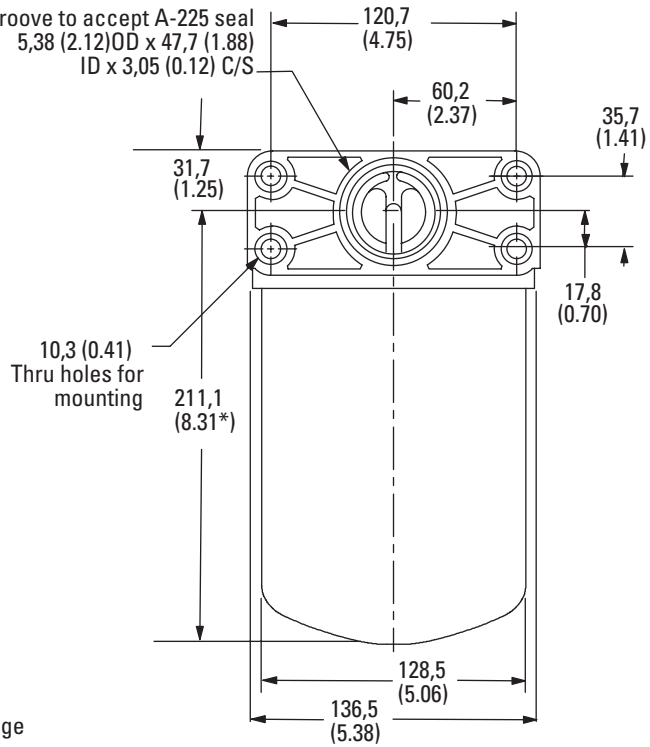
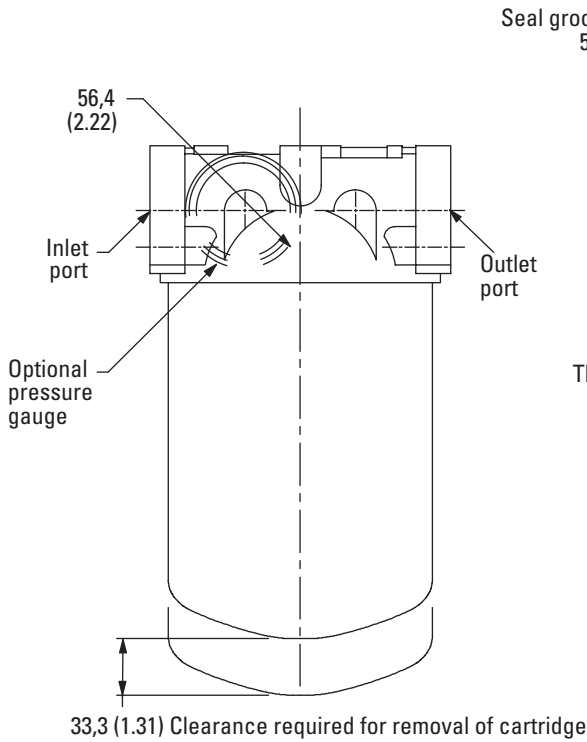
A, B, C Inlet gauge port locations

D, E, F Outlet gauge port locations

Pressure gauge in locations D and F will require additional fitting to clear mounting bolt hex nuts. Use Aeroquip No. 2040-2-2S or equivalent must be ordered separately.



.5000-13 UNC-2B thd., 0.875 min. full thd.  
4 holes each end only when F port type is specified.  
Use Vickers FL1-12-12P-10 or FL1-12-12W-10 flanges.



\* Add 101,6 (4.00) for long 10mm element.



# Spin-on Filters

## OFRS60 Series

### Flow Data

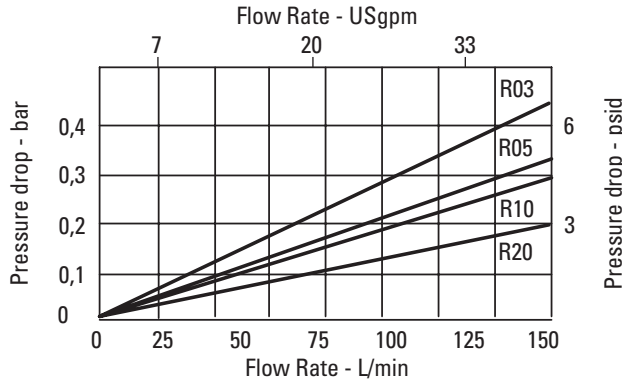
Flows to 227 L/min (60 USgpm)  
Pressures to 7 bar (100 psi)

### Flow versus pressure drop:

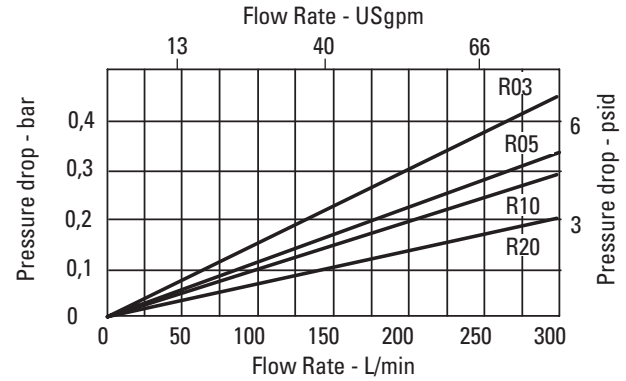
150 SUS (32 cSt) oil with specific gravity of  $\leq 0.9$

### Element Flow Data

OFRS60 R-Pak Element Length 1

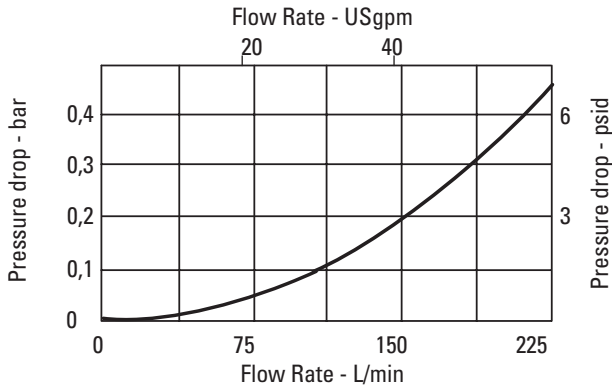


OFRS60 R-Pak Element Length 2

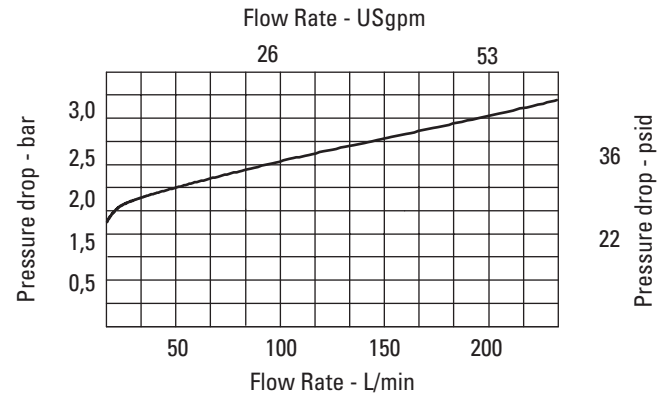


### Housing/Bypass Valve Flow Data

#### Housing Flow Data



#### Bypass Valve



### Sample $\Delta P$ Calculation :

OFRS601S1R03PAF2510 - Filter assembly having '1' length filter element with micron rating code '03' at 100 L/min flow rate using a hydraulic fluid at 46 cSt viscosity & specific gravity (sp.gr.)0.8.

$\Delta P$ Assembly	=	$\Delta P$ Housing	+	$\Delta P$ Element
	=	Housing $\Delta P$ from graph $\times$ sp.gr.(actual)/0.9	+	Element $\Delta P$ valve from from graph(bar/lpm) $\times$ [ actual cSt / 32 ] $\times$ [Sp.Gr(actual) / 0.9]
	=	0.11 $\times$ 0.8/0.9	+	0.29 $\times$ 46/32 $\times$ 0.8/0.9
	=	0.090	+	0.36
	=	<b>0.45 bar</b>		

# Spin-on Filters

## HS22 Series

Flows to 450 L/min (120 USgpm)  
Pressures to 14 bar (200 psi)

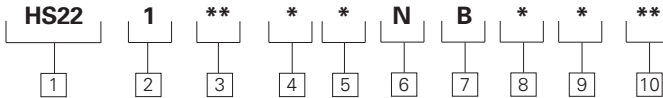


### Features and Benefits

- Designed to comply with ANSI specifications and ISO cleanliness standards
- Dual flow path design maximizes flow capability and service life
- Spin-on element make servicing fast and easy
- High efficiency replacement elements in standard configurations (R-Pak) to meet Target Cleanliness Levels

### DESIGN SPECIFICATIONS

<b>Rated flow:</b>	Length 1	227 L/min (60 USgpm)
	Length 2	454 L/min(120 USgpm)
<b>Fluid compatibility</b>	Compatible with most petroleum oil, water glycol, oil-in-water and water-in-oil fluids	
<b>Temp range:</b>	-32°C to +107°C (-25°F to +225°F)	
<b>Pressure rating:</b>	Operating	14 bar (200 psi)
<b>Material:</b>	Head	Aluminum
<b>Dry weight:</b>	Length 1	7.3 kg (16 lbs)
	Length 2	8.6 kg (19 lbs)



### HS22 Series Filter and Element Model Code

Sample model code:  
HS221SD32NB2R05

#### 1 Filter Series - HS22

#### 2 Element Collapse Rating

1 - 150 psi Low Pressure

#### 3 Port options

BD - G1-1/2 to ISO 228  
ME - 1-1/2" SAE 4 bolt Flange  
Code 61 (M12 x 1.75)

SD - 1.875 - 12 UN sae-24  
str. Thd (1-1/2 tube)

FE - 1-1/2" SAE 4 bolt Flange  
Code 61 (UNC)

#### 4 Valve options

3 - Bypass set at 1.7 bar  
(25 psi) cracking pressure

4 - Bypass set at 3 bar (50  
psi) cracking pressure

#### 5 Indicator options

1 - No indicator  
2 - 13.7 bar (200 psi) gauge  
4 - 4 bar (60 psi) gauge

#### 6 Receptical

N - None

#### 7 Seal material

B - Buna-N

#### 8 Assembly Length

mm (inch)  
1 - 253 (10)  
2 - 355 (14)  
X - No Element

#### 9 Element Construction

R - R-Pak (code 3, 5, 10, 20)  
W - Water Removal (10, length  
2 only)  
X - No Element

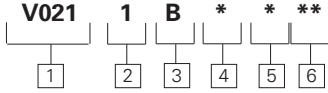
#### 10 Fluid cleanliness rating

Code	Target fluid cleanliness level
03	16/14/12 or better
05	18/16/14 or better
10	20/18/15 or better
20	22/19/16 or better
XX	No Element

# Spin-on Filters

## HS22 Series

Flows to 450 L/min (120 USgpm)  
Pressures to 14 bar (200 psi)



### V021 Element Model Code

Sample model code:

V0211B1R03

#### 1 Filter Element

**V021** - Filter element for use with HS22 and OFRS-60 series filters (R-Pak construction only)

#### 2 Element Collapse Rating

**1** - 10 bar (150 psi) Low Pressure

#### 3 Seal Material

**B** - Buna-N

#### 4 Canister Length

mm (inch)

**1** - 184 (7)

**2** - 286 (11)

#### 5 Element Construction

**R** - R-Pak (code 3, 5, 10, 20)

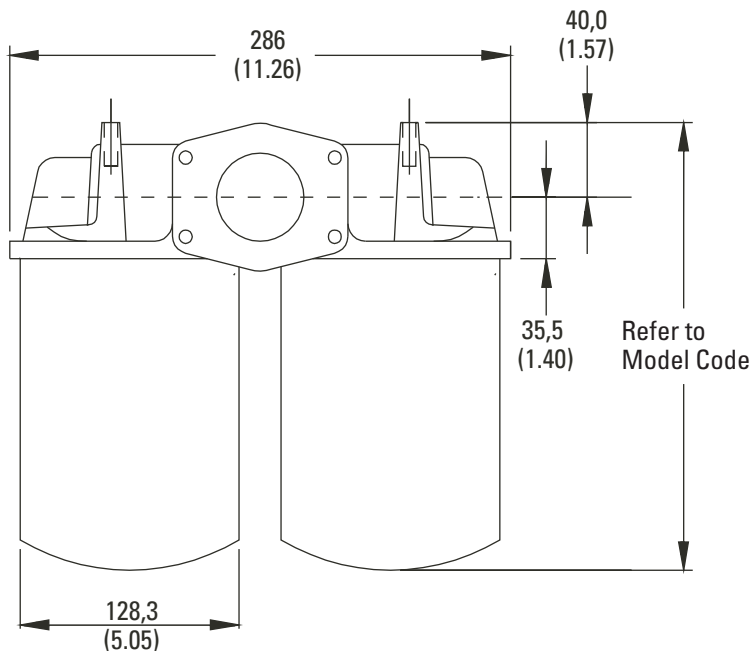
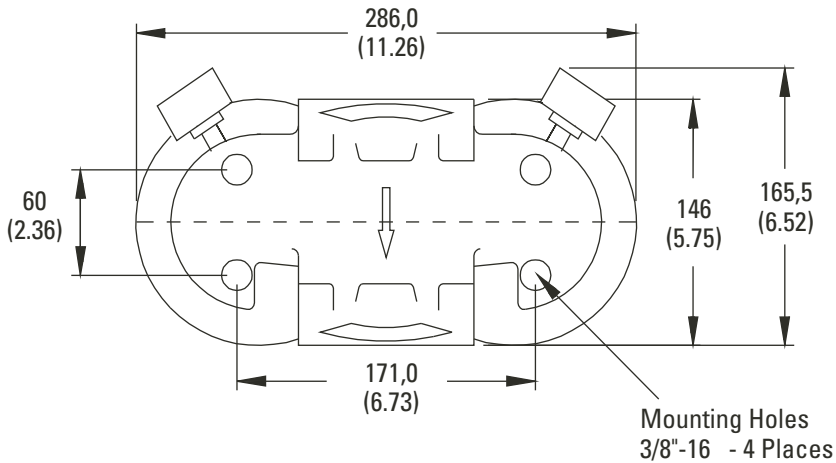
**W** - Water Removal (Code 10, length 2 only)

#### 6 Fluid Cleanliness Rating

Code	Target fluid cleanliness level	Element construction
<b>03</b>	16/14/12	R-Pak
<b>05</b>	18/16/14	R-Pak
<b>10</b>	20/18/15	R-Pak or water removal
<b>20</b>	22/19/16	R-Pak

### Housing Dimensions

mm (inch)



# Spin-on Filters

## HS22 Series

### Flow Data

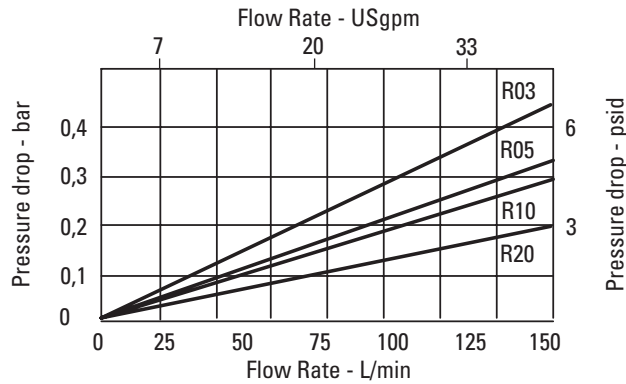
Flows to 450 L/min (120 USgpm)  
Pressures to 14 bar (200 psi)

### Flow versus pressure drop:

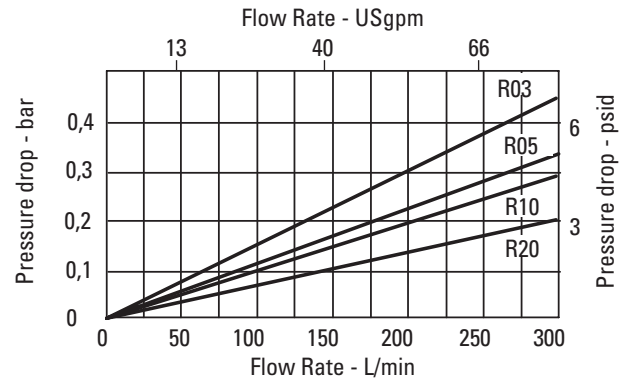
150 SUS (32 cSt) oil with specific gravity of  $\leq 0.9$

### Element Flow Data

HS22 R-Pak Element Length 1

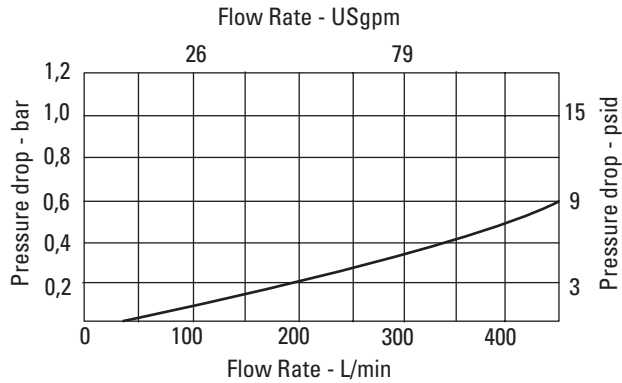


HS22 R-Pak Element Length 2

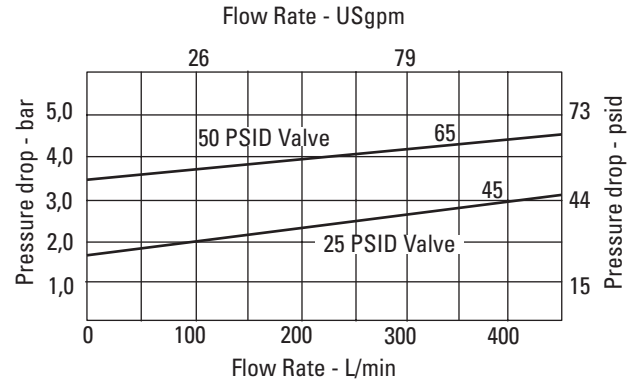


### Housing/Bypass Valve Flow Data

#### Housing



#### Bypass Valve



### Sample $\Delta P$ Calculation :

HS221SD32NB2RO5 - Filter assembly having '2' length filter element with micron rating code '05' at 250 L/min flow rate using a hydraulic fluid at 46 cSt viscosity & specific gravity (sp.gr.)0.8.

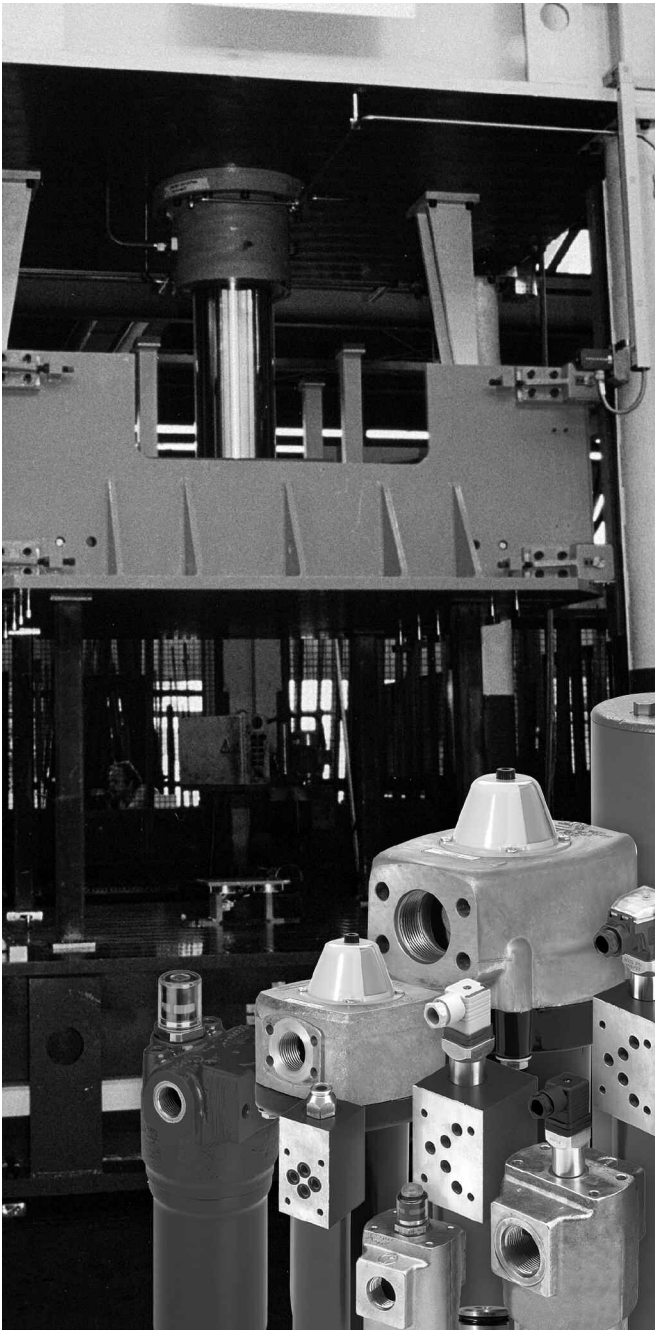
$\Delta P$ Assembly	=	$\Delta P$ Housing	+	$\Delta P$ Element
	=	Housing $\Delta P$ from graph $\times$ sp.gr.(actual)/0.9	+	Element $\Delta P$ valve from from graph(bar/lpm) $\times$ [ actual cSt / 32 ] $\times$ [Sp.Gr(actual) / 0.9]
	=	0.3 $\times$ 0.8/0.9	+	0.37 $\times$ 46/32 $\times$ 0.8/0.9
	=	0.260	+	0.47
	=	<b>0.73 bar</b>		

# Pressure Filters

## General Data

Pressure filters are used to protect downstream components from contamination levels beyond the recommended cleanliness target. Because they are typically sized for the output of the pump, pressure filters tend to be smaller than return line filters when cylinders are present. In systems using accumulators, pressure filters must be sized according to the large effective flow rates present during parts of the duty cycle.

In some applications, pressure filters are used as isolation filters to protect specific components such as proportional or servo valves. Typically these filters are non-bypass and employ elements that are capable of withstanding full system differential pressure without collapsing. While these filters are sized to handle only a specific components' required flow, the use of high collapse elements result in a higher cost than elements used in housings with bypass valves. Most isolation filters are direct-mounted beneath the valve which can save space as well as reduce plumbing costs.



## Applications

- Paper Mills
- Steel Mills
- Injection molding machines
- Motion bases
- Sawmill equipment
- Flight simulators
- Test and simulation equipment
- Entertainment stage equipment
- Hydrostatic drives
- Power generation turbine control systems

# Pressure Filters

## ECF Series

Flows to 19 L/min (5 USgpm)  
Pressures to 200 bar (3,000 psi)

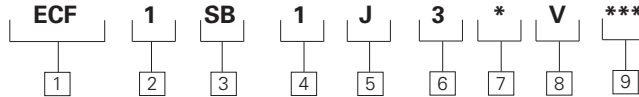


### Features and Benefits

- Integrated throwaway element which is screwed into the manifold port for last chance filtration

### DESIGN SPECIFICATIONS

<b>Rated flow:</b>	19 L/min (5 USgpm)	
<b>Fluid compatibility:</b>	Compatible with all petroleum-/oil-based and synthetic fluids. Not rated for use with fluoro-rubber or ethylene propylene seals.	
<b>Temp range:</b>	-30°C to +121°C (-22°F to 250°F)	
<b>Pressure rating:</b>	Operating	200 bar (3000 psi)
<b>Cavity:</b>	BC20-S3	
<b>Material:</b>	Head Bowl	Aluminum Aluminum
<b>Dry weight: (Approximate)</b>	0,11 kg (0.25 lbs)	



### ECF Series Filter and Element Model Code

Sample model code:  
ECF1SB1J3CV025

<b>1 Filter Series - ECF</b>	<b>6 Assembly Length</b> mm (inch) <b>3</b> - 80.2 (3.16)												
<b>2 Element Collapse Rating</b> <b>1</b> - 17 bar (250 psi) low collapse	<b>7 Element Construction</b> <b>C</b> - Standard construction <b>M</b> - Wire screen												
<b>3 Port Options</b> <b>SB</b> - 1.312-12 UN SAE-16 straight thread	<b>8 Seal Material</b> <b>V</b> - Viton-A												
<b>4 Valve Options</b> <b>1</b> - Non-Bypass (Screw directly into cavity)	<b>9 Fluid Cleanliness</b>												
<b>5 Indicator Options</b> <b>J</b> - No indicator	<table border="1"> <thead> <tr> <th>Code</th> <th>Fluid Cleanliness Rating</th> <th>Element Construction</th> </tr> </thead> <tbody> <tr> <td>015</td> <td><b>20/18/15</b></td> <td>C-Pak</td> </tr> <tr> <td>025</td> <td></td> <td>Wirescreen</td> </tr> <tr> <td><b>100</b></td> <td></td> <td>Wirescreen</td> </tr> </tbody> </table>	Code	Fluid Cleanliness Rating	Element Construction	015	<b>20/18/15</b>	C-Pak	025		Wirescreen	<b>100</b>		Wirescreen
Code	Fluid Cleanliness Rating	Element Construction											
015	<b>20/18/15</b>	C-Pak											
025		Wirescreen											
<b>100</b>		Wirescreen											

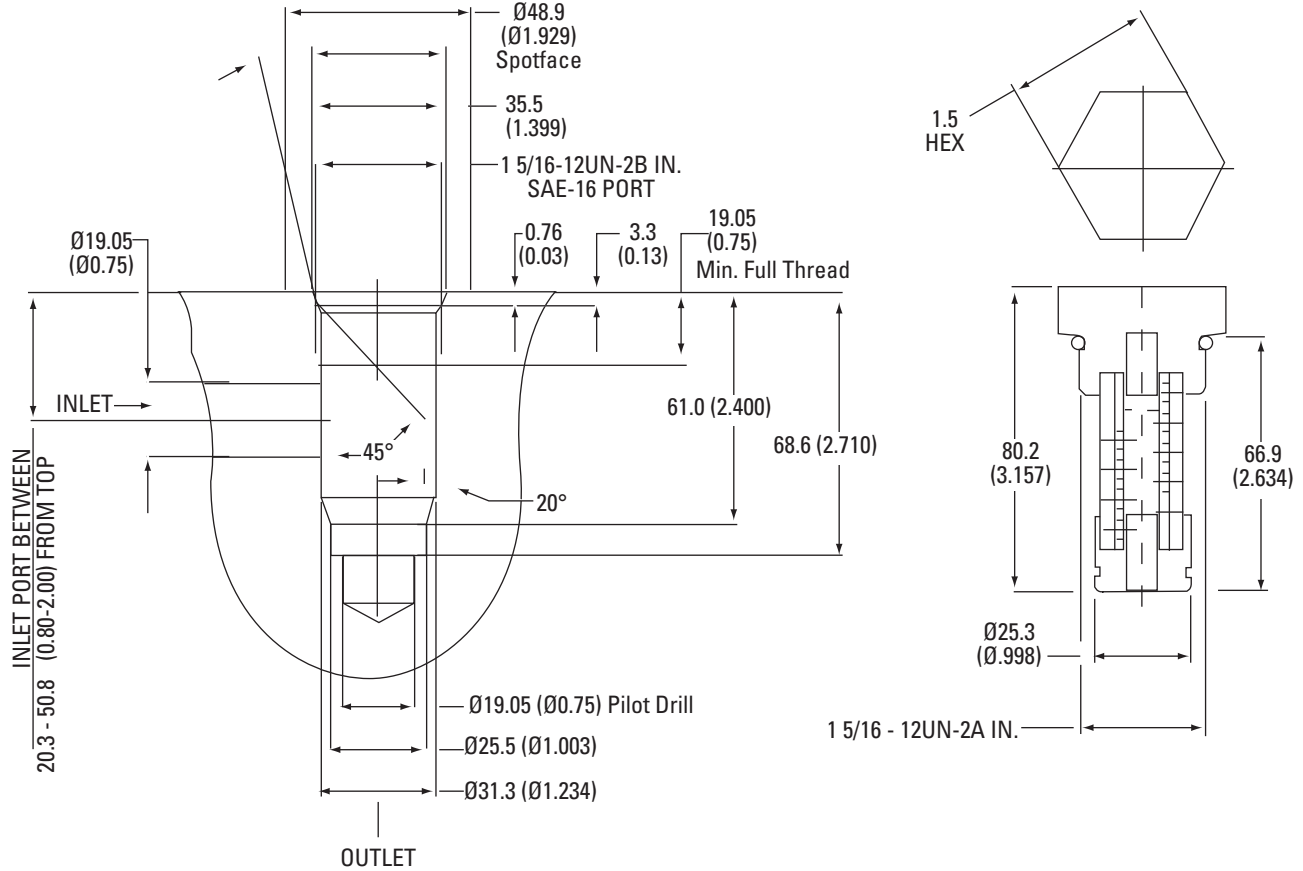
# Pressure Filters

## ECF Series

Flows to 19 L/min (5 USgpm)  
Pressures to 207 bar (3,000 psi)

### Housing Dimensions

mm (inch)

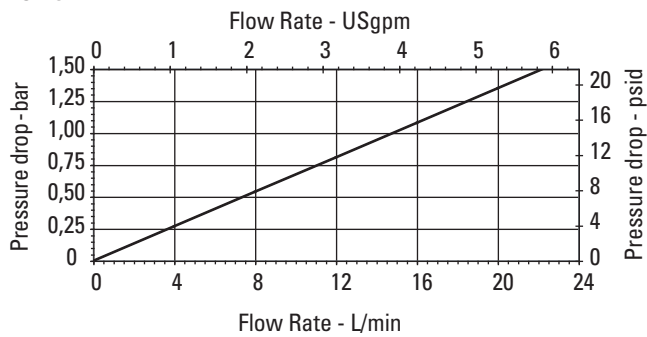


### Housing/Element Flow Data

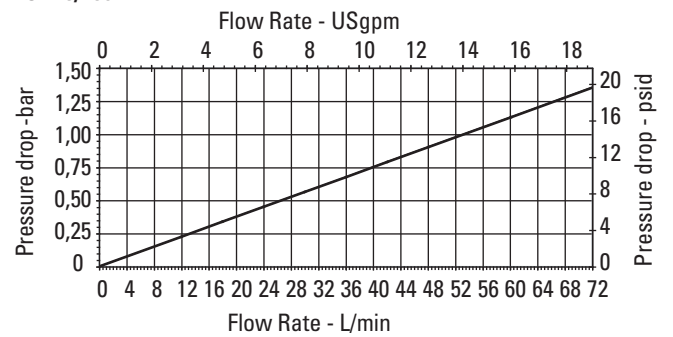
#### Flow versus pressure drop:

150 SUS (32 cSt) oil with specific gravity of  $\leq 0.9$

ECF15



ECF 25/150





# Pressure Filters

## LV2P Series

Flows to 110 L/min (29 USgpm)  
Pressures to 100 bar (1,500 psi)

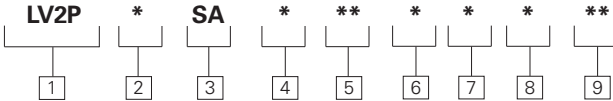


### Features and Benefits

- Beta Ratio:  $\beta_{X(C)} = 1000$  to ISO 16889
- Designed to comply with ANSI specifications and ISO cleanliness standards
- Visual, electrical, and electrical indicators with lamp options for system design flexibility
- Poppet type by-pass valve construction
- High efficiency replacement elements in standard configurations (C-Pak) to meet Target Cleanliness Levels
- High collapse elements available for non-bypass applications

### DESIGN SPECIFICATIONS

<b>Rated flow:</b>	Length 3	60 L/min (16 USgpm)
	Length 6	110 L/min (29 USgpm)
<b>Fluid compatibility:</b>	Compatible with most petroleum oil, oil-in-water and water-in-oil fluids. Optional seals available for phosphate esters.	
<b>Temp range:</b>	-26°C to +121°C (-15°F to +250°F)	
<b>Pressure rating:</b>	Operating	100 bar (1500 psi)
	Fatigue	100 bar (1500 psi)
<b>Material:</b>	Head	Aluminum
	Bowl	Aluminum
<b>Dry weight:</b> (Approximate)	Length 3	1,5 kg (3.3 lbs)
	Length 6	1,8 kg (4.0 lbs)



### LV2P Series Filter Assembly Model Code

**Sample model code:**  
LV2P1SA4LNB3C05

#### [1] Filter Series - LV2P

#### [2] Element Collapse Rating

- 1** - 17 bar (250 psi) Low Collapse
- 4** - 103 bar (1500 psi) High Collapse

#### [3] Port Options

**SA** - 1.062 - 12UN SAE-12 (3/4" tube)

#### [4] Valve Options

- 1** - Non-Bypass
- 4** - Bypass set at 2.9 bar (43 psi) cracking pressure
- 6** - Bypass set at 6 bar (90 psi) cracking pressure

#### [5] Indicator Options

- AN** - Visual 4.9 bar (70 psi), No Connector
- LN** - Visual 2 bar (30 psi), No Connector
- JN** - No Indicator (plug), No Connector
- RB** - Electrical 2 bar (30 psi), Brad Harrison
- RJ** - Electrical 2 bar (30 psi), Hirschmann w 24 volt light
- RK** - Electrical 2 bar (30 psi), Hirschmann w 115 volt light
- RL** - Electrical 2 bar (30 psi), Hirschmann w 230 volt light
- RH** - Electrical 2 bar (30 psi), Hirschmann
- UB** - Electrical 4.9 bar (70 psi), Brad Harrison
- UJ** - Electrical 4.9 bar (70 psi), Hirschmann w 24 volt light
- UK** - Electrical 4.9 bar (70 psi), Hirschmann w 115 volt light

- UL** - Electrical 4.9 bar (70 psi), Hirschmann w 230 volt light
- UH** - Electrical 4.9 bar (70 psi), Hirschmann

#### [6] Seal Material

- B** - Buna-N
- V** - Viton-A

#### [7] Assembly Length

- mm (inch)
- 3** - 187 (7.36)
- 6** - 254 (10.0)

#### [8] Element Construction

- C** - C-Pak (Code 03, 05, 10, 20)
- H** - H-Pak (Code 03, 05, 10)
- X** - no element

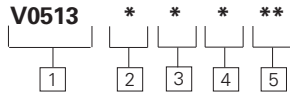
#### [9] Fluid Cleanliness Rating

Code	Target fluid cleanliness level
<b>03</b>	16/14/12 or better
<b>05</b>	18/16/14 or better
<b>10</b>	20/18/15 or better
<b>20</b>	22/19/16 or better
<b>XX</b>	no element

# Pressure Filters

## LV2P Series

Flows to 110 L/min (29 USgpm)  
Pressures to 100 bar (1,500 psi)



### V0513 Element Model Codes

Sample model code:  
V0513B6C05

#### 1 Filter Element

**V0513** - For use with LV2P series housings

#### 2 Seal Material

**B** - Buna-N  
**V** - Viton-A

#### 3 Element Length

mm (inch)  
**3** - 140 (5.51)  
**6** - 207 (8.15)

#### 4 Element Construction

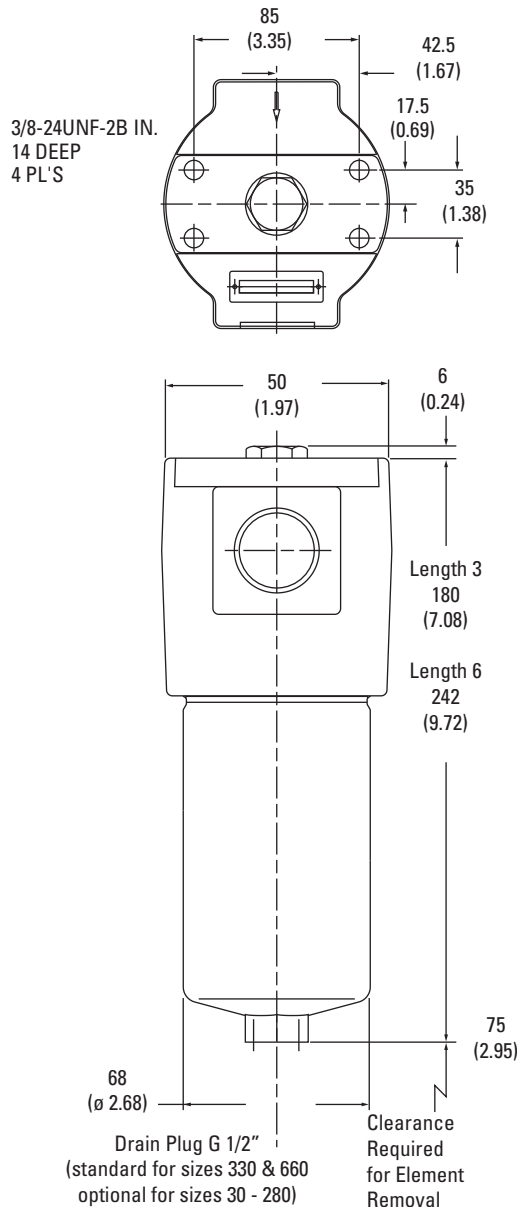
**C** - C-Pak (code 03, 05, 10, 20)  
**H** - H-Pak (code 03, 05, 10)

#### 5 Fluid Cleanliness Ratings

Code	Target fluid cleanliness level
<b>03</b>	16/14/12 or better
<b>05</b>	18/16/14 or better
<b>10</b>	20/18/15 or better
<b>20</b>	22/19/16 or better

### Housing Dimensions

mm (inch)



# Pressure Filters

Flows to 110 L/min (29 USgpm)  
Pressures to 100 bar (1500 psi)

## LV2P Series

### Flow Data

#### Flow versus pressure drop:

150 SUS (32 cSt) oil with specific gravity of  $\leq 0.9$

### LV2P Filter Elements Flow Data

'K' factor - bar/lpm (psi/gpm)

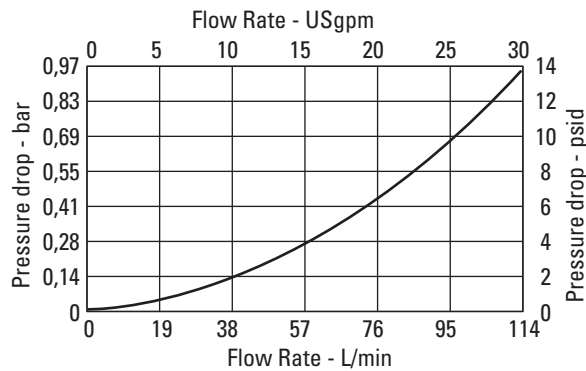
ELEMENT TYPE / SIZE		MICRON RATING			
		03	05	10	25
C - pak	3	0.029 (1.581)	0.020 (0.816)	0.013 (0.723)	0.008 (0.433)
	6	0.015 (0.818)	0.011 (0.585)	0.007 (0.360)	0.004 (0.204)
H - pak	3	0.059 (3.210)	0.033 (1.784)	0.018 (0.993)	xxx
	6	0.025 (1.394)	0.015 (0.818)	0.009 (0.488)	xxx

Note: For flow in gpm, use the values inside the brackets.

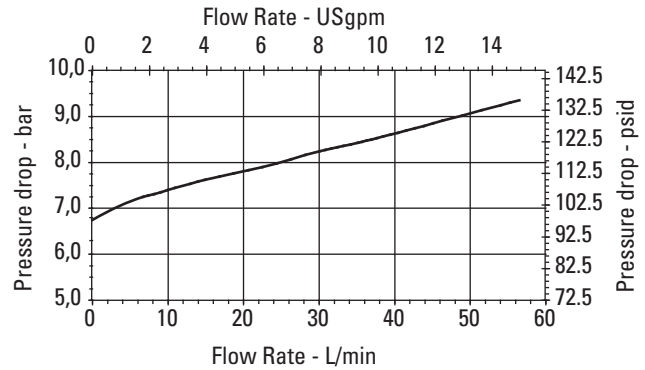
Note: The values for bar/lpm have been rounded to the third decimal.

### Housing/Bypass Valve Flow Data

#### Housing



#### Bypass Valve



#### Sample $\Delta P$ Calculation :

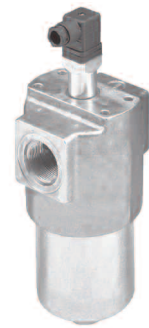
LV2P1SA4LNB3C05 - Filter assembly having '3' length filter element with micron rating code '05' at 50 L/min flow rate using a hydraulic fluid at 46 cSt viscosity & specific gravity (sp.gr.)0.8.

$\Delta P$ Assembly	=	$\Delta P$ Housing	+	$\Delta P$ Element
	=	Housing factor from graph $\times \text{sp.gr.}(\text{actual})/0.9$	+	Flow Rate (Lpm) $\times$ Element 'K' factor (bar/lpm) $\times$ [ actual cSt / 32 ] $\times$ [Sp.Gr(actual) / 0.9]
	=	0.20	+	$50 \times 0.020 \times 46/32 \times 0.8/0.9$
	=	0.170	+	1.61
	=	<b>1.78 bar</b>		

# Pressure Filters

## LV4P Series

Flows to 330 L/min (87 USgpm)  
Pressures to 100 bar (1,500 psi)

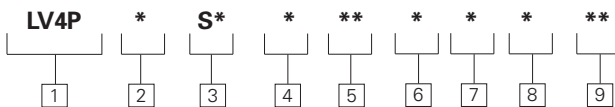


### Features and Benefits

- Beta Ratio:  $\beta_{X(C)} = 1000$  to ISO 16889
- Designed to comply with ANSI specifications and ISO cleanliness standards
- Visual, electrical, and electrical indicators with lamp options for system design flexibility
- High efficiency replacement elements in standard configurations (C-Pak) to meet Target Cleanliness Levels
- Poppet type by-pass valve construction
- High collapse elements available for non-bypass applications

### DESIGN SPECIFICATIONS

<b>Rated flow:</b>	Length 5 Length 7	160 L/min (42 USgpm) 330 L/min (87 USgpm)
<b>Fluid compatibility:</b>	Compatible with most petroleum oil, oil-in-water and water-in-oil fluids. Optional seals available for phosphate esters.	
<b>Temp range:</b>	-40°C to +121°C (-40°F to +250°F)	
<b>Pressure rating:</b>	Operating Fatigue	100 bar (1500 psi) 100 bar (1500 psi)
<b>Material:</b>	Head Bowl	Aluminum Aluminum
<b>Dry weight:</b> (Approximate)	Length 5 Length 7	3,7 kg (8.2 lbs) 8,0 kg (17.6 lbs)



### LV4P Series Filter Assembly Model Code

**Sample model code:**  
LV4P1SC4LNB5C05

#### 1 Filter Series - LV4P

#### 2 Element Collapse Rating

- 1** - 17 bar (250 psi)  
Low Collapse
- 4** - 103 bar (1500 psi)  
High Collapse

#### 3 Port Options

- Length 5:**  
**SC** - 1.625 - 12UN SAE-20  
Str. thd. (1<sup>1</sup>/<sub>4</sub>" tube)
- Length 7:**  
**SD** - 1.875 - 12UN SAE-24  
Str. thd. (1<sup>1</sup>/<sub>2</sub>" tube)

#### 4 Valve Options

- 1** - Non-Bypass
- 4** - Bypass set at 2.9 bar (43 psi) cracking pressure
- 6** - Bypass set at 6 bar (90 psi) cracking pressure

#### 5 Indicator Options

- AN** - Visual 4.9 bar (70 psi),  
No Connector
- LN** - Visual 2 bar (30 psi),  
No Connector
- JN** - No Indicator (plug),  
No Connector
- RB** - Electrical 2 bar (30 psi),  
Brad Harrison
- RJ** - Electrical 2 bar (30 psi),  
Hirschmann w 24 volt light
- RK** - Electrical 2 bar (30 psi),  
Hirschmann w 115 volt light
- RL** - Electrical 2 bar (30 psi),  
Hirschmann w 230 volt light
- RH** - Electrical 2 bar (30 psi),  
Hirschmann
- UB** - Electrical 2 bar (70 psi),  
Brad Harrison
- UJ** - Electrical 4.9 bar  
(70 psi), Hirschmann  
w 24 volt light
- UK** - Electrical 4.9 bar  
(70psi), Hirschmann  
w 115 volt light

- UL** - Electrical 4.9 bar (70 psi),  
Hirschmann w 230 volt  
light
- UH** - Electrical 4.9 bar  
(70 psi), Hirschmann

#### 6 Seal Material

- B** - Buna-N
- V** - Viton-A

#### 7 Assembly Length

- mm (inch)
- 5** - 247 (9.73)
- 7** - 312 (12.29)

#### 8 Element Construction

- C** - C-Pak (code 03, 05, 10, 20)
- H** - H-Pak (code 03, 05, 10)
- X** - no element

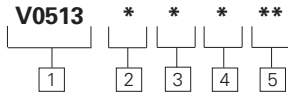
#### 9 Fluid Cleanliness Rating

Code	Target fluid cleanliness level
<b>03</b>	16/14/12 or better
<b>05</b>	18/16/14 or better
<b>10</b>	20/18/15 or better
<b>20</b>	22/19/16 or better

# Pressure Filters

## LV4P Series

Flows to 330 L/min (87 USgpm)  
Pressures to 100 bar (1,500 psi)



### V0513 Element Model Codes

Sample model code:

V0513B5C05

#### 1 Filter Element

**V0513** - For use with LV4P series housings

#### 2 Seal Material

**B** - Buna-N  
**V** - Viton-A

#### 3 Element Length

mm (inch)  
**5** - 147 (5.8)  
**7** - 180 (7.09)

#### 4 Element Construction

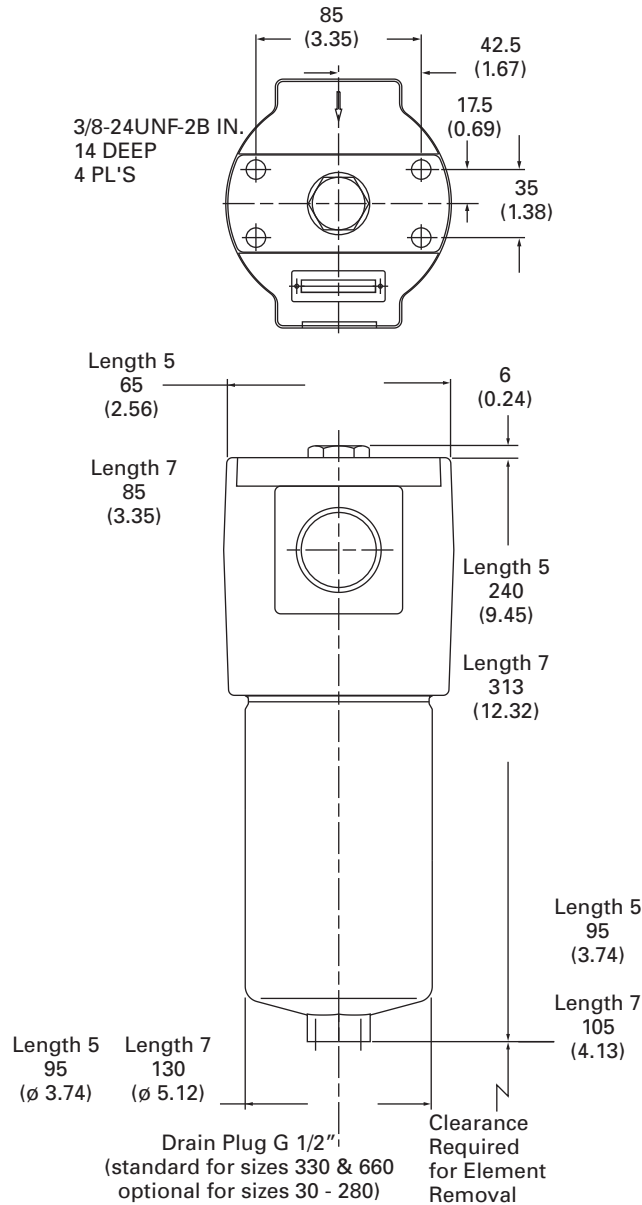
**C** - C-Pak (code 03, 05, 10, 20)  
**H** - H-Pak (code 03, 05, 10)

#### Fluid Cleanliness Rating

Code	Target fluid cleanliness level
<b>03</b>	16/14/12 or better
<b>05</b>	18/16/14 or better
<b>10</b>	20/18/15 or better
<b>20</b>	22/19/16 or better

### Housing Dimensions

mm (inch)



# Pressure Filters

Flows to 330 L/min (87 USgpm)  
Pressures to 100 bar (1,500 psi)

## LV4P Series

### Flow Data

#### Flow versus pressure drop:

150 SUS (32 cSt) oil with specific gravity of  $\leq 0.9$

### LV4P Filter Elements Flow Data

'K' factor - bar/lpm (psi/gpm)

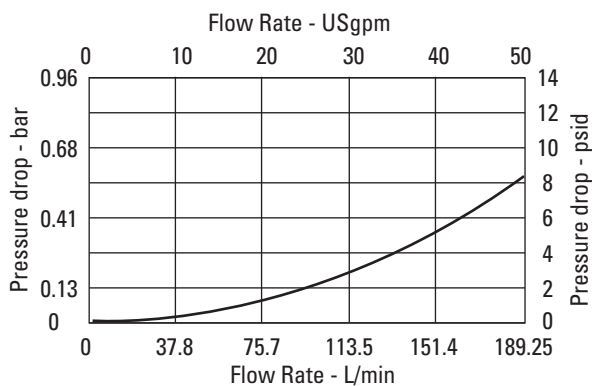
ELEMENT TYPE / SIZE		MICRON RATING			
		03	05	10	25
C - pak	5	0.013 (0.717)	0.009 (0.479)	0.005 (0.252)	0.004 (0.193)
	7	0.005 (0.294)	0.004 (0.214)	0.003 (0.162)	0.002 (0.095)
H - pak	5	0.017 (0.919)	0.010 (0.569)	0.006 (0.321)	xxx
	7	0.008 (0.421)	0.004 (0.244)	0.003 (0.153)	xxx

Note: For flow in gpm, use the values inside the brackets.

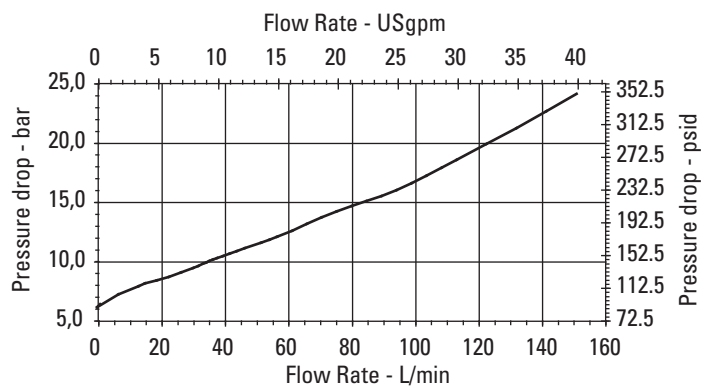
Note: The values for bar/lpm have been rounded to the third decimal.

### Housing/Bypass Valve Flow Data

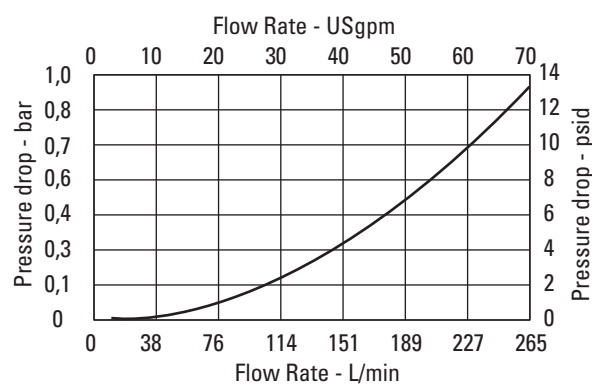
#### Length 5 Housing



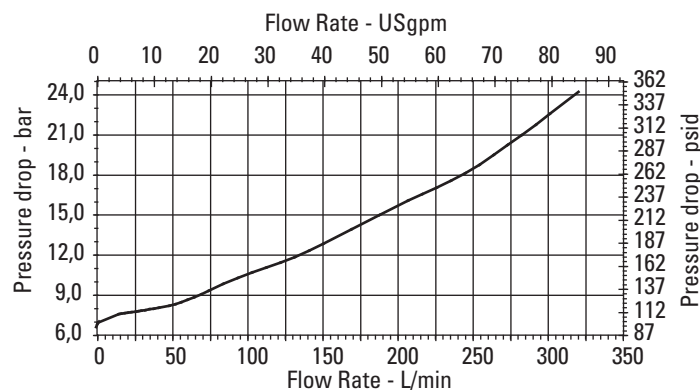
#### Length 5 Bypass



#### Length 7 Housing



#### Length 7 Bypass



### Sample $\Delta P$ Calculation :

LV4P1SC4LNB5C05 - Filter assembly having '5' length filter element with micron rating code '05' at 100 L/min flow rate using a hydraulic fluid at 46 cSt viscosity & specific gravity (sp.gr.)0.8.

$\Delta P$ Assembly	=	$\Delta P$ Housing	+	$\Delta P$ Element
	=	Housing factor from graph $\times \text{sp.gr.}(\text{actual})/0.9$	+	Flow Rate (Lpm) $\times$ Element 'K' factor (bar/lpm) $\times$ [ actual cSt / 32 ] $\times$ [Sp.Gr(actual) / 0.9]
	=	0.10 $\times$ 0.8/0.9	+	100 $\times$ 0.009 $\times$ 46/32 $\times$ 0.8/0.9
	=	0.088	+	1.143
	=	<b>1.23 bar</b>		

# Pressure Filters

## HF2P Series

Flows to 90 L/min (24 USgpm)  
Pressures to 280 bar (4,000 psi)

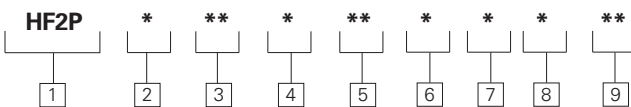


### Features and Benefits

- Beta Ratio:  $\beta_{x(c)} = 1000$  to ISO 16889
- Designed to comply with ANSI specifications and ISO cleanliness standards
- Visual, electrical, and electrical indicators with lamp options for system design flexibility
- Conforms to HF2 automotive specifications
- Compact design for use with servo and proportional valves
- Manifold mounting option for system flexibility
- High efficiency replacement elements in standard configurations (C-Pak) to meet Target Cleanliness Levels
- High collapse elements available for non-bypass applications

### DESIGN SPECIFICATIONS

<b>Rated flow:</b>	Length 1	45 L/min (12 USgpm)
	Length 2	91 L/min (24 USgpm)
<b>Fluid compatibility:</b>	Compatible with most petroleum oil, water glycol, oil-in-water and water-in-oil fluids. Optional seals available for phosphate esters.	
<b>Temp range:</b>	-26°C to +121°C (-15°F to +250°F)	
<b>Pressure rating:</b>	Operating	280 bar (4000 psi)
	Fatigue	280 bar (4000 psi)
<b>Material:</b>	Head	Ductile iron
	Bowl	Carbon Steel
<b>Dry weight:</b> (Approximate)	Length 1	4,6 kg (10.1lbs)
	Length 2	5,9 kg (134lbs)



### HF2P Series Filter and Element Model Code

#### Sample model code:

HF2P1SA4LNB2C05

#### 1 Filter Series - HF2P

#### 2 Element Collapse Rating

- 1 - 17 bar (250 psi) Low Collapse  
4 - 207 bar (3000 psi) High Collapse

NOTE: Use 1 only with bypass valve or monitored P indicator.

#### 3 Port Options

- BA - G3/4 to ISO 228  
SA - 1.062 - 12UN SAE-12 (3/4" tube)  
WS - Subplate mounting

#### 4 Valve Options

- 1 - Non-Bypass  
4 - Bypass set at 2.9 bar (43 psi) cracking pressure  
6 - Bypass set at 6 bar (90 psi) cracking pressure

#### 5 Indicator Options

- AN - Visual 4.9 bar (70 psi), No Connector  
JN - No Indicator (plug), No Connector  
LN - Visual 2 bar (30 psi), No Connector  
ON - Visual 7.9 bar (115 psi), No Connector

RB - Electrical 2 bar (30 psi), Brad Harrison

RH - Electrical 2 bar (30 psi), Hirschmann

RJ - Electrical 2 bar (30 psi), Hirschmann w 24 volt light

RK - Electrical 2 bar (30 psi), Hirschmann w 115 volt light

RL - Electrical 2 bar (30 psi), Hirschmann w 230 volt light

TB - Electrical 7.9 bar (115 psi), Brad Harrison

TH - Electrical 7.9 bar (115 psi), Hirschmann

TJ - Electrical 7.9 bar (115 psi), Hirschmann w 24 volt light

TK - Electrical 7.9 bar (115 psi), Hirschmann w 115 volt light

TL - Electrical 7.9 bar (115 psi),

Hirschmann w 230 volt light

UB - Electrical 4.9 bar (70 psi), Brad Harrison

UH - Electrical 4.9 bar (70 psi), Hirschmann

UJ - Electrical 4.9 bar (70 psi), Hirschmann w 24 volt light

UK - Electrical 4.9 bar (70 psi), Hirschmann w 115 volt light

UL - Electrical 4.9 bar (70 psi), Hirschmann w 230 volt light

#### 6 Seal Material

- B - Buna-N  
V - Viton-A

#### 7 Assembly Length

- mm (inch)  
1 - 211.9 (8.3)  
2 - 304.9 (12.0)

#### 8 Element Construction

- C - 17 bar (250 psi) Low Collapse  
H - 207 bar (3000 psi) High Collapse  
X - no element

#### 9 Fluid Cleanliness Rating

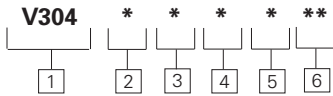
Code	Target fluid cleanliness level
03	16/14/12 or better
05	18/16/14 or better
10	20/18/15 or better
20	22/19/16 or better
XX	no element



# Pressure Filters

## HF2P Series

Flows to 90 L/min (24 USgpm)  
Pressures to 280 bar (4,000 psi)



### V304 Element Model Code

Sample model code:

V3041B1C05

#### 1 Filter Element

**V304** - For use with HF2P series filters

#### 3 Seal Material

**B** - Buna-N  
**V** - Viton-A

#### 5 Element Construction

**C** - C-Pak (code 03, 05, 10, 20)  
**H** - H-Pak (code 03, 05, 10)

#### 2 Element Collapse Rating

**1** - 17 bar (250 psi)  
(C-Pak only)  
**5** - 207 bar (3000 psi)  
(H-Pak only)

#### 4 Element Length

mm (inch)  
**1** - 101 (4)  
**2** - 203 (8)

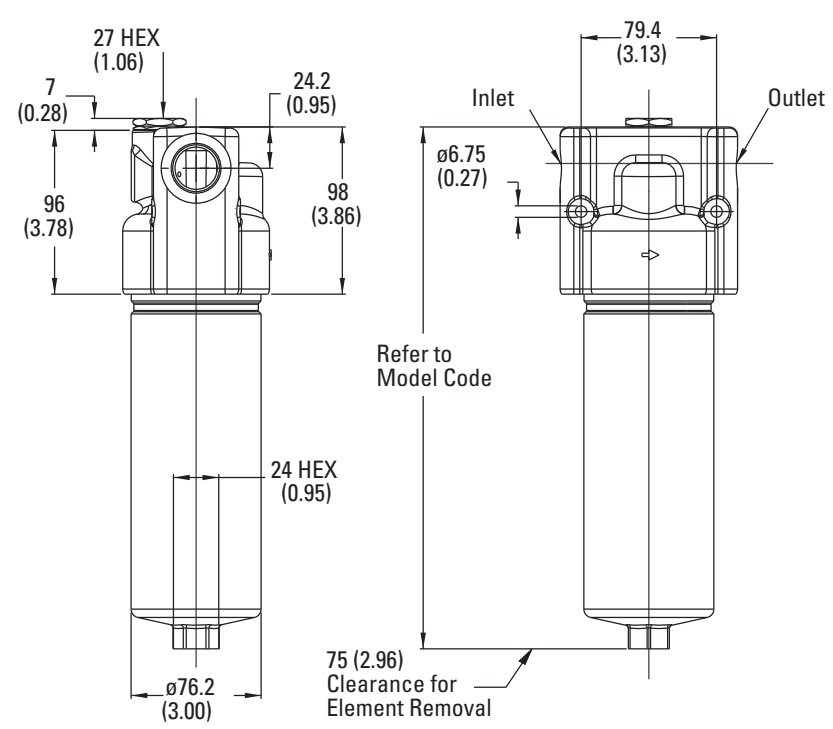
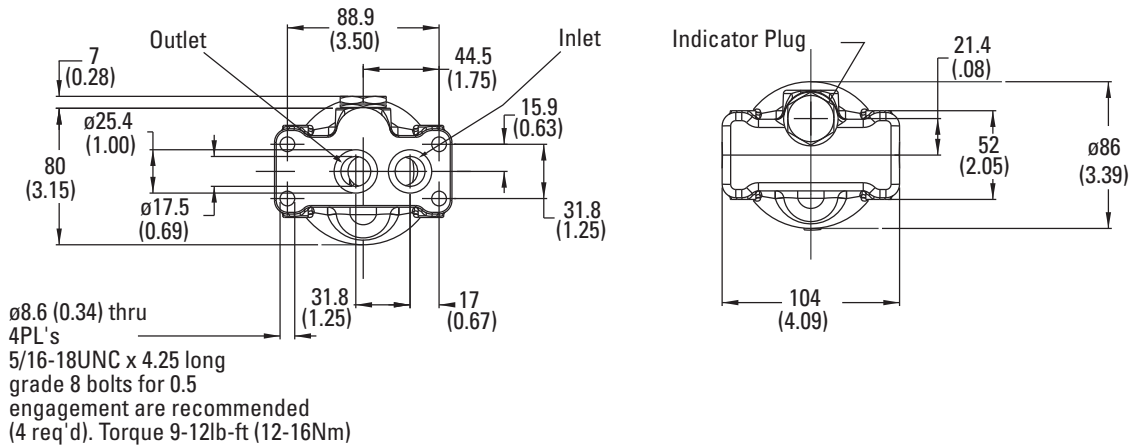
#### 6 Fluid Cleanliness Ratings

Code	Target fluid cleanliness level
<b>03</b>	16/14/12 or better
<b>05</b>	18/16/14 or better
<b>10</b>	20/18/15 or better
<b>20</b>	22/19/16 or better

### Housing Dimensions

mm (inch)

#### Subplate Mounting



# Pressure Filters

Flows to 90 L/min (24 USgpm)  
Pressures to 280 bar (4,000 psi)

## HF2P Series

### Flow Data

#### Flow versus pressure drop:

150 SUS (32 cSt) oil with specific gravity of  $\leq 0.9$

### HF2P Filter Elements Flow Data

'K' factor - bar/lpm (psi/gpm)

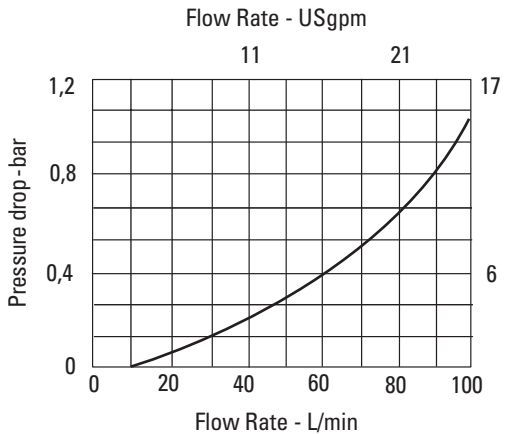
ELEMENT TYPE / SIZE		MICRON RATING			
		03	05	10	25
C - pak	1	0.037 (2.046)	0.032 (1.735)	0.017 (0.924)	0.010 (0.531)
	2	0.018 (1.011)	0.016 (0.858)	0.008 (0.457)	0.005 (0.262)
H - pak	1	0.044 (2.396)	0.031 (1.688)	0.019 (1.026)	xxx
	2	0.021 (0.865)	0.015 (0.820)	0.009 (0.499)	xxx

Note: For flow in gpm, use the values inside the brackets.

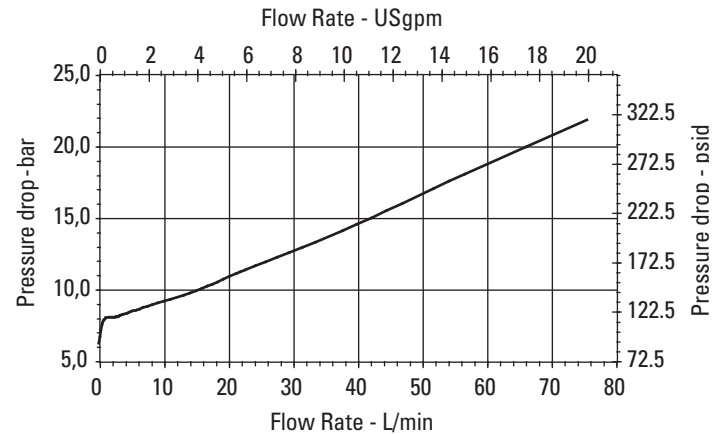
Note: The values for bar/lpm have been rounded to the third decimal.

### Housing/Bypass Valve Flow Data

#### Housing



#### Bypass Valve



#### Sample $\Delta P$ Calculation :

HF2P1SA4LNB2C05 - Filter assembly having '2' length filter element with micron rating code '05' at 50 L/min flow rate using a hydraulic fluid at 46 cSt viscosity & specific gravity (sp.gr.)0.8.

$\Delta P$ Assembly	=	$\Delta P$ Housing	+	$\Delta P$ Element
	=	Housing factor from graph $\times \text{sp.gr.}(\text{actual})/0.9$	+	Flow Rate (Lpm) $\times$ Element 'K' factor (bar/lpm) $\times$ [ actual cSt / 32 ] $\times$ [Sp.Gr(actual) / 0.9]
	=	0.26 $\times$ 0.8/0.9	+	50 $\times$ 0.016 $\times$ 46/32 $\times$ 0.8/0.9
	=	0.220	+	1.01
	=	<b>1.23 bar</b>		

# Pressure Filters

## MF2P Series

Flows to 113.5 L/min (30 USgpm)  
Pressures to 275.5 bar (4,000 psi)

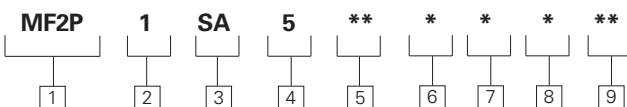


### Features and Benefits

- Beta Ratio:  $\beta_{X(C)} = 1000$  to ISO 16889
- Designed to comply with ANSI specifications and ISO cleanliness standards
- Visual, electrical, and electrical indicators with lamp options for system design flexibility
- High efficiency replacement elements in standard configurations (C-Pak) to meet Target Cleanliness Levels
- Poppet type leak by-pass valve construction

### DESIGN SPECIFICATIONS

<b>Rated flow:</b>	Length 5	68 L/min (18 USgpm)
	Length 7	113.5 L/min (30 USgpm)
<b>Fluid compatibility:</b>	Compatible with most petroleum oil, oil-in-water and water-in-oil fluids. Optional seals available for phosphate esters.	
<b>Temp range:</b>	-26°C to +121°C (-15°F to +250°F)	
<b>Pressure rating:</b>	Operating	276 bar (4000 psi)
	Fatigue	276 bar (4000 psi)
<b>Material:</b>	Head	Ductile iron
	Bowl	Steel
<b>Dry weight:</b> (Approximate)	Length 5	3,9 kg (8.3 lbs)
	Length 7	4,5 kg (9.9 lbs)



### MF2P Series Filter Assembly Model Code

#### Sample model code:

MF2P1SA5ANB5C05

#### 1 Filter Series - MF2P

#### 2 Element Collapse Rating

1 - 17 bar (250 psi) Low Collapse

#### 3 Port Options

SA - 1.062 - 12UN SAE-12 (3/4" tube)

#### 4 Valve Options

5 - Bypass set at 100 psi (7 bar) cracking pressure

#### 5 Indicator Options

AN - Visual 4.9 bar (70 psi), No Connector

JN - No Indicator (plug), No Connector

UB - Electrical 4.9 bar (70 psi), Brad Harrison

UJ - Electrical 4.9 bar (70 psi), Hirschmann w 24 volt light

UK - Electrical 4.9 bar (70 psi), Hirschmann w 115 volt light

UL - Electrical 4.9 bar (70 psi), Hirschmann w 230 volt light

UH - Electrical 4.9 bar (70 psi), Hirschmann

#### 6 Seal Material

B - Buna-N

V - Viton-A

#### 7 Assembly Length

mm (inch)

5 - 210 (8.27)

7 - 263 (10.36)

#### 8 Element Construction

C - 250 psi Low Collapse

X - no element

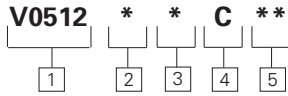
#### 9 Fluid Cleanliness Rating

Code	Target fluid cleanliness level
03	16/14/12 or better
05	18/16/14 or better
10	20/18/15 or better
20	22/19/16 or better
XX	no element

# Pressure Filters

## MF2P Series

Flows to 113.5 L/min (30 USgpm)  
Pressures to 275.5 bar (4,000 psi)



### V0512 Element Model Codes

Sample model code:

V0512B5C05

#### 1 Filter Element

**V0512** - For use with MF2P series housings

#### 2 Seal Material

**B** - Buna-N  
**V** - Viton-A

#### 3 Element Length

mm (inch)  
**5** - 117 (5)  
**7** - 169 (7)

#### 4 Element Construction

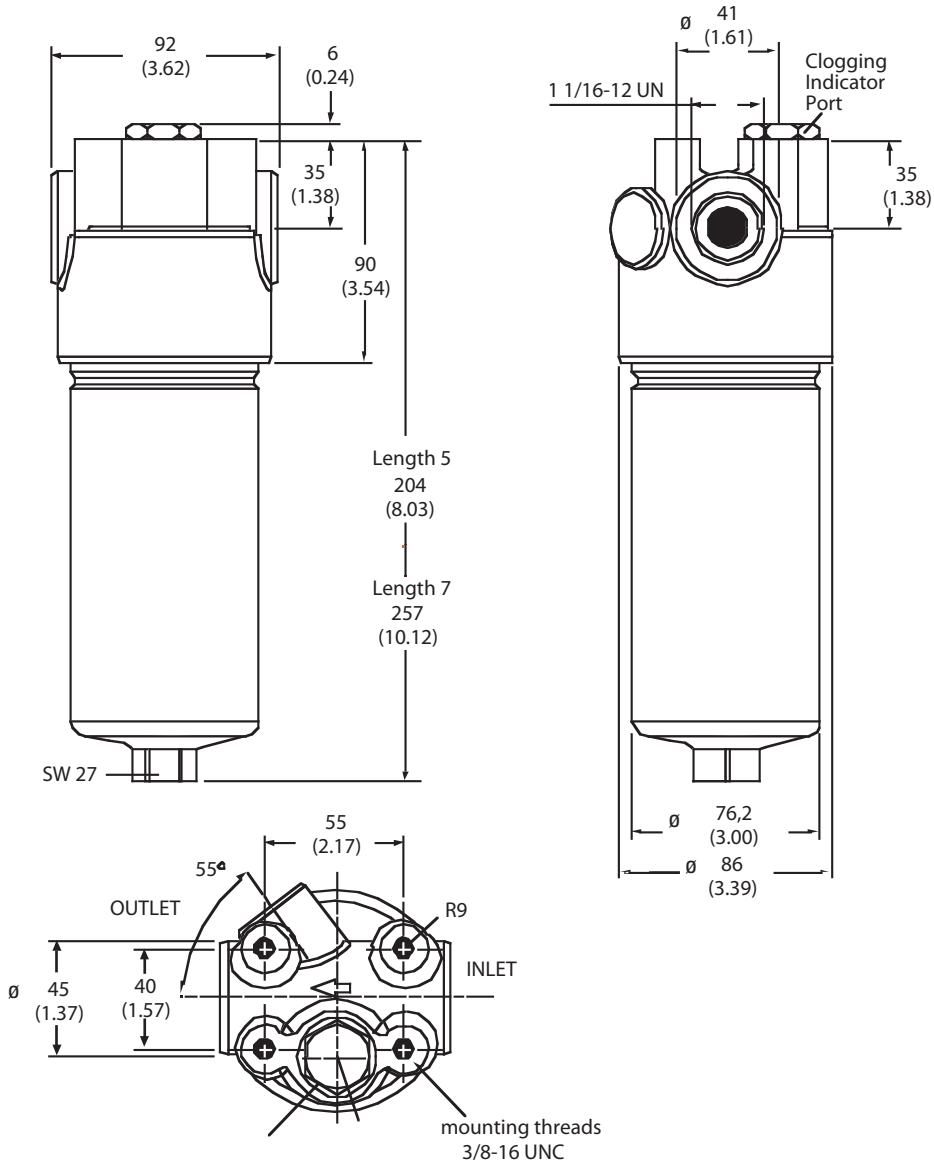
**C** - C-Pak (code 03, 05, 10, 20)

#### 9 Fluid Cleanliness Rating

Code	Target fluid cleanliness level
<b>03</b>	16/14/12 or better
<b>05</b>	18/16/14 or better
<b>10</b>	20/18/15 or better
<b>20</b>	22/19/16 or better

### Housing Dimensions

mm (inch)



# Pressure Filters

Flows to 113.5 L/min (30 USgpm)  
Pressures to 275.5 bar (4,000 psi)

## MF2P Series

### Flow Data

#### Flow versus pressure drop:

150 SUS (32 cSt) oil with specific gravity of  $\leq 0.9$

### MF2P Filter Elements Flow Data

'K' factor - bar/lpm (psi/gpm)

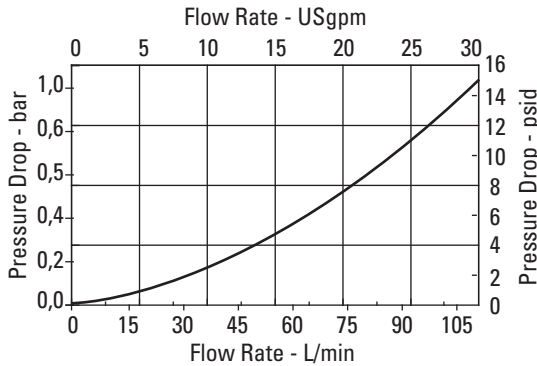
ELEMENT TYPE / SIZE		MICRON RATING			
		03	05	10	25
C - pak	5	0.014 (0.750)	0.011 (0.602)	0.008 (0.443)	0.005 (0.263)
	7	0.009 (0.509)	0.008 (0.411)	0.005 (0.290)	0.003 (0.169)

Note: For flow in gpm, use the values inside the brackets.

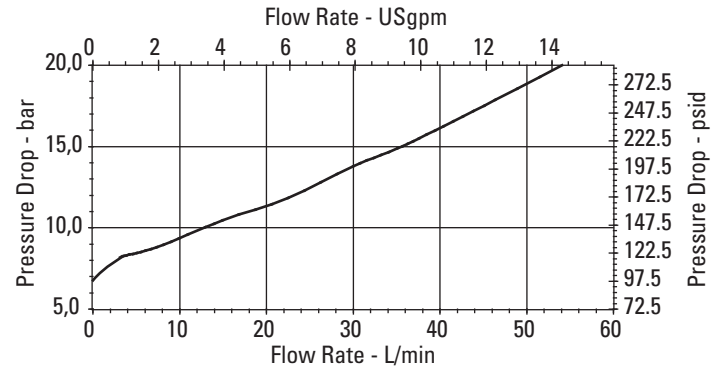
Note: The values for bar/lpm have been rounded to the third decimal.

### Housing/Bypass Valve Flow Data

#### Housing



#### Bypass



#### Sample $\Delta P$ Calculation :

MF2P1SA5UNB5C05 - Filter assembly having '5' length filter element with micron rating code '05' at 50 L/min flow rate using a hydraulic fluid at 46 cSt viscosity & specific gravity (sp.gr.)0.8.

$\Delta P$ Assembly	=	$\Delta P$ Housing	+	$\Delta P$ Element
	=	Housing factor from graph $\times \text{sp.gr.}(\text{actual})/0.9$	+	Flow Rate (Lpm) $\times$ Element 'K' factor (bar/lpm) $\times$ [ actual cSt / 32 ] $\times$ [Sp.Gr(actual) / 0.9]
	=	$0.3 \times 0.8/0.9$	+	$50 \times 0.011 \times 46/32 \times 0.8/0.9$
	=	0.260	+	0.69
	=	<b>0.95 bar</b>		

# Pressure Filters

## OFPH03, OFPH05 Series

Flows to 53 L/min (14 USgpm)  
Pressures to 310 bar (4,500 psi)

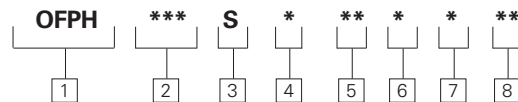


### Features and Benefits

- Beta Ratio:  $\beta_{X(C)} = 1000$  to ISO 16889
- Designed to comply with ANSI specifications and ISO cleanliness standards
- Visual and electrical indicators with lamp options for system design flexibility
- Poppet type by-pass valve construction
- Wide range of element lengths for maximum design flexibility
- High efficiency replacement elements in standard configurations (H-Pak) to meet Target Cleanliness Levels
- Designed to mount directly underneath D03, D05 and CETOP Valves. The fluid is filtered prior to entering the valve "P" (Pressure) Port

### DESIGN SPECIFICATIONS

<b>Rated flow:</b>	<b>Length 3</b>	23 L/min (6 USgpm)
	<b>Length 5</b>	45 L/min (12 USgpm)
	<b>Length 6</b>	53 L/min (14 USgpm)
<b>Fluid Compatibility:</b>	Compatible with most petroleum oil, water glycol, oil-in-water and water-in-oil fluids. Optional seals available for phosphate esters.	
<b>Temp range:</b>	26°C to +121°C (-15°F to +250°F)	
<b>Pressure Rating:</b>	<b>Operating:</b>	310 bar (4500 psi)
	<b>Fatigue:</b>	310 bar (4500 psi)
<b>Material:</b>	<b>Head</b>	Ductile Iron
	<b>Bowl</b>	Carbon Steel
<b>Dry weight:</b> (Approximate)	<b>Length 3</b>	2,3 kg (5.1 lbs)
	<b>Length 5</b>	4,7 kg (10.4 lbs)
	<b>Length 6</b>	5,4 kg (11.9 lbs)



### OFPH Series Filter Model Codes

#### Sample model code:

OFPH031SATNBH03

#### [1] Filter Series - OFPH

#### [2] Body Size (D03 or D05) and Assembly Length

mm (inch)

**031** - OFPH031 226 (8.9)  
**051** - OFPH051 254 (10.0)  
**052** - OFPH052 325 (12.8)

#### [3] Valve Options

**S** - Without bypass valve

#### [4] Port Options

**A** - Modular stacking,  
Bowl Side A  
**B** - Modular stacking,  
Bowl Side B

#### [5] Indicator Options

**TN** - Visual 7.9 bar (115 psi),  
No Connector  
**JN** - No Indicator (plug),  
No Connector  
**TB** - Electrical 7.9 bar  
(115 psi), Brad Harrison  
**TJ** - Electrical 7.9 bar  
(115 psi), Hirschmann  
w 24 volt light  
**TK** - Electrical 7.9 bar  
(115 psi), Hirschmann  
w 115 volt light  
**TL** - Electrical 7.9 bar  
(115 psi), Hirschmann  
w 230 volt light  
**TH** - Electrical 7.9 bar  
(115 psi), Hirschmann

#### [6] Seals

**B** - Buna-N  
**V** - Viton-A

#### [7] Element Series (collapse rating)

**H** - 207 bar (3000 psi)  
**X** - no element

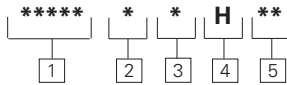
#### [8] Fluid Cleanliness Rating

Code	Target fluid cleanliness level
<b>03</b>	16/14/12 or better
<b>05</b>	18/16/14 or better
<b>10</b>	20/18/15 or better
<b>20</b>	22/19/16 or better
<b>XX</b>	no element

# Pressure Filters

## OFPH03, OFPH05 Series

Flows to 53 L/min (14 USgpm)  
Pressures to 310 bar (4,500 psi)



### V0603, V0604 and V0114 Series Replacement Element Model Codes

#### Sample model code:

V0603B3H03

#### 1 Element Series

**V0603** - For use with OFPH031 series filters

**V0604** - For use with OFPH051 series filters

**V0114** - For use with OFPH052 series filters

#### 2 Seals

**B** - Buna-N  
**V** - Viton-A

#### 3 Element Length

**3** - OFPH031 (V0603 only)

**5** - OFPH051 (V0604 only)

**6** - OFPH052 (V0114 only)

#### 4 Element Collapse Pressure

**H** - 207 bar (3000 psi)

#### 5 Fluid Cleanliness Rating

**03** 16/14/12 or better

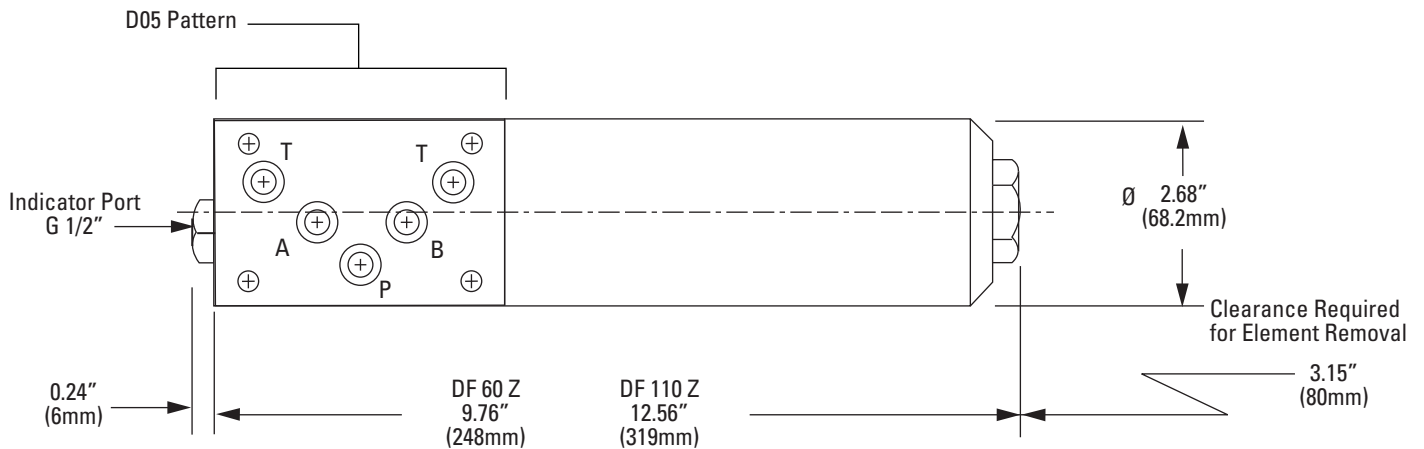
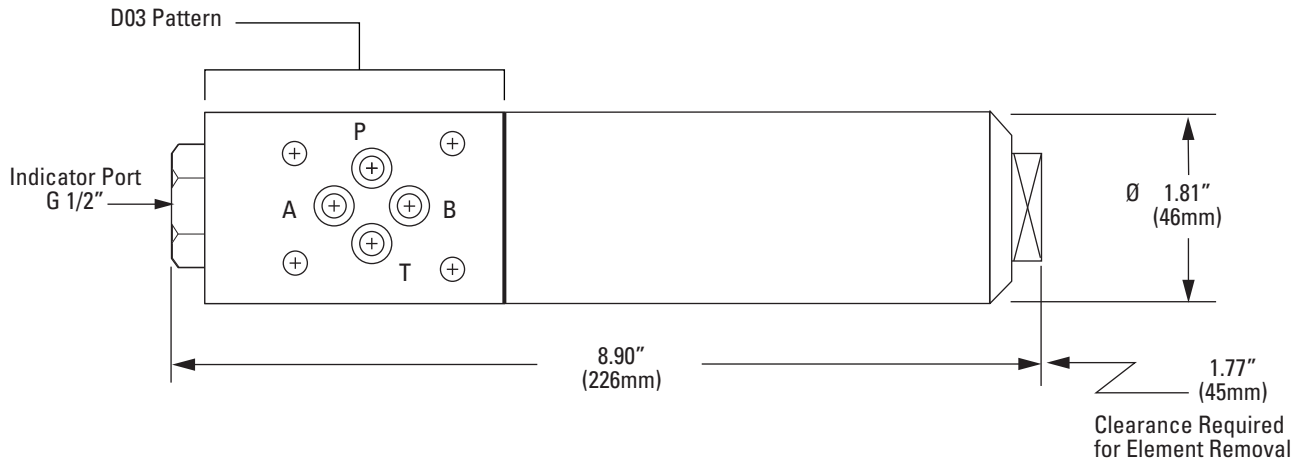
**05** 18/16/14 or better

**10** 20/18/15 or better

**20** 22/19/16 or better

### Housing Dimensions - D03 Pattern

mm (inch)





# Pressure Filters

## OFPH03, OFPH05 Series

### Flow Data

Flows to 53 L/min (14 USgpm)  
Pressures to 310 bar (4,500 psi)

### Flow versus pressure drop:

150 SUS (32 cSt) oil with specific gravity of  $\leq 0.9$

### OFPH Filter Elements Flow Data

'K' factor - bar/lpm (psi/gpm)

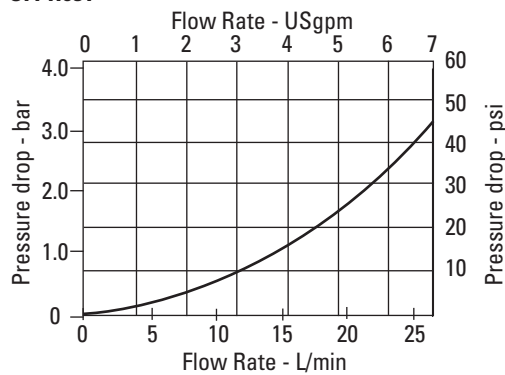
ELEMENT TYPE / SIZE		MICRON RATING			
		03	05	10	25
H - pak	3	0.075 (4.466)	0.067 (3.978)	0.053 (3.096)	0.031 (1.795)
	5	0.059 (3.210)	0.033 (1.784)	0.018 (0.993)	0.023 (1.227)
	6	0.025 (1.394)	0.015 (0.818)	0.009 (0.488)	0.010 (0.563)

Note: For flow in gpm, use the values inside the brackets.

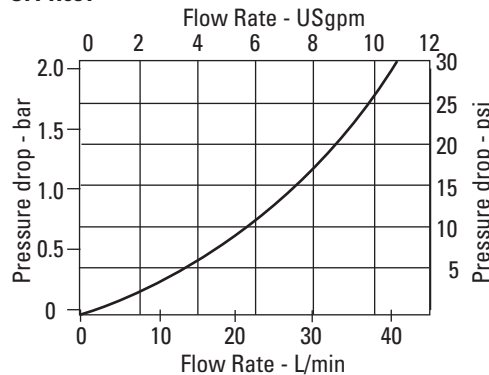
Note: The values for bar/lpm have been rounded to the third decimal.

### Housing Flow Data

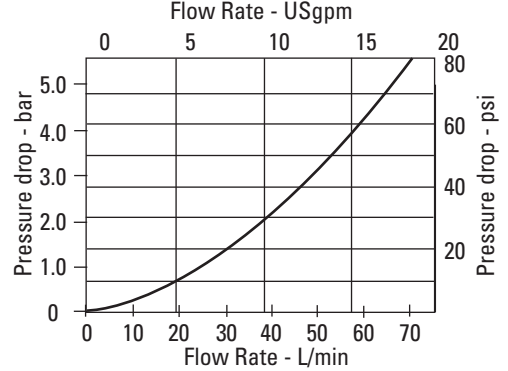
OFPH031



OFPH051



OFPH052



### Sample $\Delta P$ Calculation :

OFPH031SAATNBHC05 - Filter assembly having '3' length filter element with micron rating code '05' at 20 L/min flow rate using a hydraulic fluid at 46 cSt viscosity & specific gravity (sp.gr.)0.8

$\Delta P$ Assembly	=	$\Delta P$ Housing	+	$\Delta P$ Element
	=	Housing factor from graph $\times \text{sp.gr.}(\text{actual})/0.9$	+	Flow Rate (Lpm) $\times$ Element 'K' factor (bar/lpm) $\times$ [ actual cSt / 32 ] $\times$ [Sp.Gr(actual) / 0.9]
	=	1.6 $\times$ 0.8/0.9	+	20 $\times$ 0.067 $\times$ 46/32 $\times$ 0.8/0.9
	=	1.400	+	1.7
	=	<b>3.1 bar</b>		

# Pressure Filters

## HF4P Series

Flows to 570 L/min (150 USgpm)  
Pressures to 345 bar (5,000 psi)



### Features and Benefits

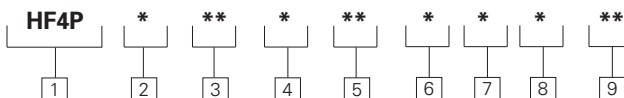
- Beta Ratio:  $\beta_{x(c)} = 1000$  to ISO 16889
- Designed to comply with ANSI specifications and ISO cleanliness standards
- Visual and electrical indicators with lamp options for system design flexibility
- Conforms to HF4 specifications
- Fatigue rated to 5000 psi for maximum reliability in rugged applications
- Top loading design to ease maintenance and minimize spillage
- Multiple filter element lengths for design flexibility
- High efficiency replacement elements in standard configurations (C-Pak) to meet Target Cleanliness Levels
- High collapse elements available for non-bypass applications

### Series Filter and Element Model Code

**Sample model code:**  
HF4P1SD4LNB6C05

### DESIGN SPECIFICATIONS

<b>Rated flow:</b>	Length 3 Length 6 Length 7	189 L/min (50 USgpm) 379 L/min (100 USgpm) 568 L/min (150 USgpm)
<b>Fluid compatibility:</b>	Compatible with most petroleum oil, water glycol, oil-in-water and water-in-oil fluids. Optional seals available for phosphate esters.	
<b>Temp range:</b>	-26°C to +121°C (-15°F to +250°F)	
<b>Pressure rating:</b>	Operating Fatigue	345 bar (5000 psi) 345 bar (5000 psi)
<b>Material:</b>	Head Bowl Lid	Ductile Iron Carbon Steel Ductile Iron
<b>Dry weight:</b> (Approximate)	Length 3 Length 6 Length 7	28,8 kg (63.4 lbs) 38,7 kg (85.3 lbs) 51,5 kg (113.6 lbs)



#### 1 Filter Series - HF4P

#### 2 Element Collapse Rating

- 1 - 10 bar (150 psi) Low Collapse
- 4 - 207 bar (3000 psi) High Collapse

#### 3 Port options

- BD - G1½ to ISO 228
- ME - 1½" SAE 4 bolt Flange Code 61 (M12 x 1.75)
- MR - 1½" SAE 4 bolt Flange Code 62 (M16 x 2.0)
- SD - 1.875 - 12 UN SAE-24 str. Thd. (1½" tube)
- FE - 1½" SAE 4 bolt Flange Code 61 (UNC)
- FR - 1½" SAE 4 bolt Flange Code 62 (UNC)
- WS - Subplate mounting

#### 4 Valve options

- 1 - Non-Bypass
- 4 - Bypass set at 2.9 bar (43 psi) cracking pressure
- 6 - Bypass set at 6 bar (90 psi) cracking pressure

#### 5 Indicator options

- AN - Visual 4.9 bar (70 psi), No Connector
- LN - Visual 2 bar (30 psi), No Connector

- JN - No Indicator (plug), No Connector
- RB - Electrical 2 bar (30 psi), Brad Harrison
- RJ - Electrical 2 bar (30 psi), Hirschmann w 24 volt light
- RK - Electrical 2 bar (30 psi), Hirschmann w 115 volt light
- RL - Electrical 2 bar (30 psi), Hirschmann w 230 volt light
- RH - Electrical 2 bar (30 psi), Hirschmann
- TB - Electrical 7.9 bar (115 psi), Brad Harrison
- TJ - Electrical 7.9 bar (115 psi), Hirschmann w/ 24 volt light
- TK - Electrical 7.9 bar (115 psi), Hirschmann w/ 115 volt light
- TL - Electrical 7.9 bar (115 psi), Hirschmann w/ 230 volt light
- TH - Electrical 7.9 bar (115 psi), Hirschmann
- UB - Electrical 4.9 bar (70 psi), Brad Harrison
- UJ - Electrical 4.9 bar (70 psi), Hirschmann w 24 volt light
- UK - Electrical 4.9 bar (70 psi), Hirschmann w 115 volt light

- UL - Electrical 4.9 bar (70 psi), Hirschmann w 230 volt light
- UH - Electrical 4.9 bar (70 psi), Hirschmann

#### 6 Seal material

- B - Buna-N
- V - Viton-A

#### 7 Assembly Length

- mm (inch)
- 3 - 447 (17.6)
- 6 - 685.3 (27)
- 7 - 923.5 (36.4)

#### 8 Element construction

- C - 10 bar (150 psi) Low Collapse
- H - 207 bar (3000 psi) High Collapse
- X - no element

#### 9 Fluid cleanliness rating

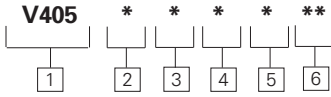
Code	Target fluid cleanliness level
03	16/14/12 or better
05	18/16/14 or better
10	20/18/15 or better
20*	22/19/16 or better
XX	no element

\* C-Pak only

# Pressure Filters

## HF4P Series

Flows to 570 L/min (150 USgpm)  
Pressures to 345 bar (5,000 psi)



### V405 Element model code

(Meets HF4 Standard)

### Sample model code:

V4051B3C03

**1** Filter Element - V405

**2** Element Collapse Rating

1 - 10 bar (150 psi)  
4 - 206.9 bar (3000 psi)  
High Collapse

NOTE: Use 1 only with bypass valve or monitored delta P indicator.

**3** Seals

B - Buna-N  
V - Viton-A

**4** Element Length

mm (inch)  
3 - 229 (9)  
6 - 457 (18)  
7 - 686 (27)

**5** Element Construction

C - C-Pak (code 03, 05, 10, 20)  
H - H-Pak (code 03, 05, 10)

**6** Fluid Cleanliness Rating

Code Target fluid cleanliness level

03 16/14/12

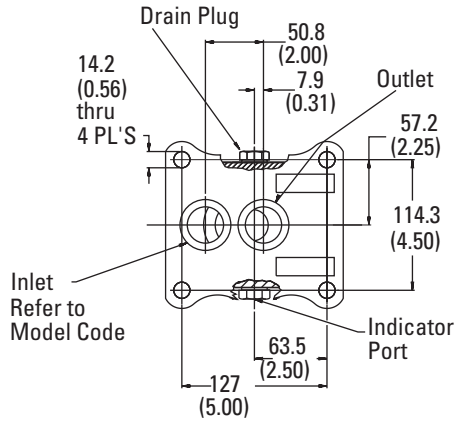
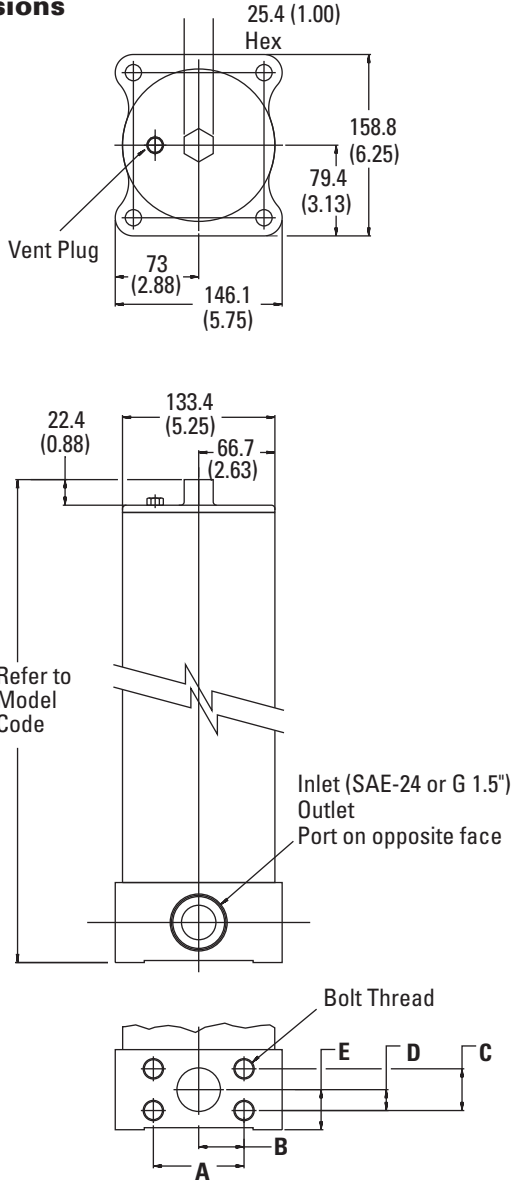
05 18/16/14

10 20/18/15

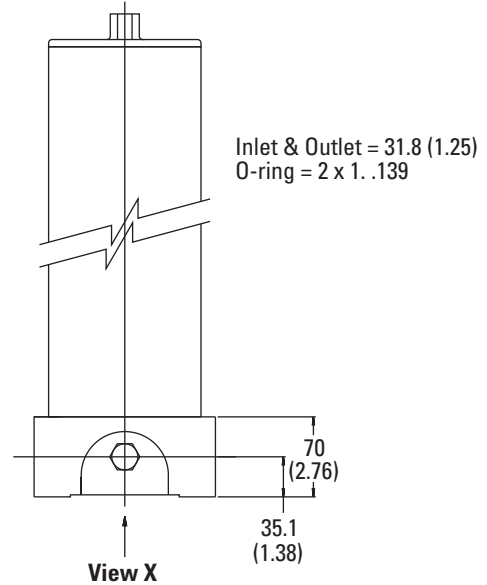
20 22/19/16

### Housing Dimensions

mm (inch)



View X - Subplate Mounting



	A	B	C	D	E
	mm (inch)	mm (inch)	mm (inch)	mm (inch)	mm (inch)
ME	69.8 (2.75)	37.9 (1.375)	35.7 (1.406)	17.9 (.703)	35.1 (1.38)
MR	79.3 (3.125)	39.4 (1.56)	36.5 (1.437)	18.2 (.718)	35.1 (1.38)
FE	69.8 (2.75)	37.9 (1.375)	35.7 (1.406)	17.9 (.703)	35.1 (1.38)
FR	79.3 (3.125)	39.4 (1.56)	36.5 (1.437)	18.2 (.718)	35.1 (1.38)

# Pressure Filters

Flows to 570 L/min (150 USgpm)  
Pressures to 345 bar (5,000 psi)

## HF4P Series

### Flow Data

#### Flow versus pressure drop:

150 SUS (32 cSt) oil with specific gravity of  $\leq 0.9$

### HF4P Filter Elements Flow Data

'K' factor - bar/lpm (psi/gpm)

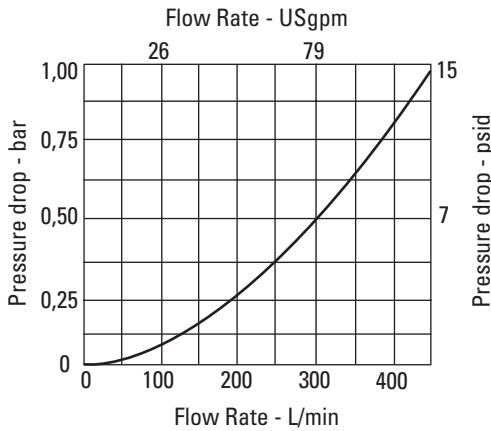
ELEMENT TYPE / SIZE		MICRON RATING			
		03	05	10	20
C -pak	3	0.003 (0.168)	0.003 (0.140)	0.001 (0.078)	0.001 (0.044)
	6	0.001 (0.080)	0.001 (0.066)	0.001 (0.037)	0.001 (0.021)
	7	0.001 (0.051)	0.001 (0.043)	0.001 (0.024)	0.001 (0.013)
H -pak	3	0.004 (0.206)	0.003 (0.145)	0.002 (0.088)	xxx
	6	0.002 (0.096)	0.001 (0.068)	0.001 (0.041)	xxx
	7	0.001 (0.062)	0.001 (0.044)	0.001 (0.026)	xxx

Note: For flow in gpm, use the values inside the brackets.

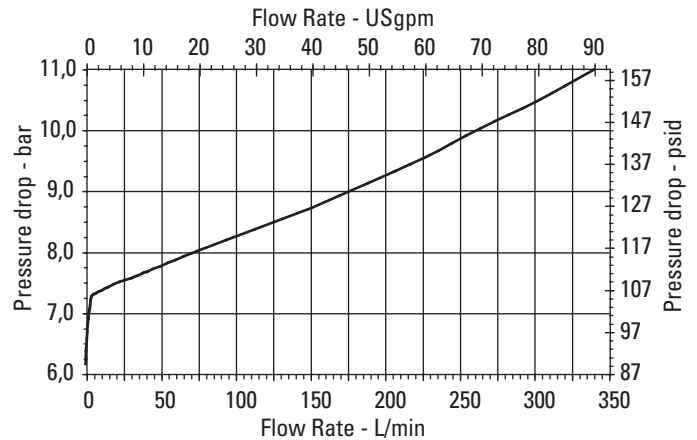
Note: The values for bar/lpm have been rounded to the third decimal.

### Housing/Bypass Valve Flow Data

#### Housing



#### Bypass Valve



### Sample $\Delta P$ Calculation :

HF4P1SD4LNB6C05 - Filter assembly having '6' length filter element with micron rating code '05' at 200 L/min flow rate using a hydraulic fluid at 46 cSt viscosity & specific gravity (sp.gr.)0.8.

$\Delta P$ Assembly	=	$\Delta P$ Housing	+	$\Delta P$ Element
	=	Housing factor from graph $\times \text{sp.gr.}(\text{actual})/0.9$	+	Flow Rate (Lpm) $\times$ Element 'K' factor (bar/lpm) $\times$ [ actual cSt / 32 ] $\times$ [Sp.Gr(actual) / 0.9]
	=	0.26 $\times$ 0.8/0.9	+	200 $\times$ 0.001 $\times$ 46/32 $\times$ 0.8/0.9
	=	0.220	+	0.25
	=	<b>0.47 bar</b>		

# Pressure Filters

## HF3P Series

Flows to 454 L/min (120 USgpm)  
Pressures to 410 bar (6,000 psi)



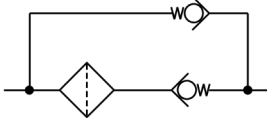
### Features and Benefits

- Beta Ratio:  $\beta_{x(c)} = 1000$  to ISO 16889
- Designed to comply with ANSI specifications and ISO cleanliness standards
- Visual, electrical, and electrical indicators with lamp options for system design flexibility
- Conforms to HF3 automotive specifications
- Fatigue rated to 6000 psi for maximum reliability in the most rugged applications
- Reverse flow valve option for hydrostatic transmission applications
- Multiple filter element lengths for design flexibility
- High efficiency replacement elements in standard configurations (C-Pak) to meet Target Cleanliness Levels
- High collapse elements available for non-bypass applications

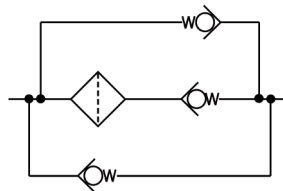
### HF3P Series Filter and Element Model Code

#### Sample model code:

HF3P1SB4LNB2C05



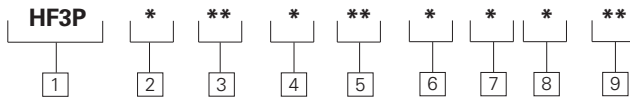
Reverse Flow Non-bypass  
(Valve Option 8)



Reverse Flow Bypass  
(Valve Option 9)

### DESIGN SPECIFICATIONS

<b>Rated flow:</b>	Length 1	106 L/min (28 USgpm)
	Length 2	208 L/min (55 USgpm)
	Length 4	344 L/min (91 USgpm)
	Length 5	454 L/min (120 USgpm)
<b>Fluid compatibility:</b>	Compatible with most petroleum oil, water glycol, oil-in-water and water-in-oil fluids. Optional seals available for phosphate esters.	
<b>Temp range:</b>	-26°C to +121°C (-15°F to +250°F)	
<b>Pressure rating:</b>	Operating	410 bar (6000 psi)
	Fatigue	410 bar (6000 psi)
<b>Material:</b>	Head	Ductile iron
	Bowl	Carbon Steel
<b>Dry weight:</b> (Approximate)	Length 1	20,3 kg (44.8lbs)
	Length 2	22,5 kg (49.5lbs)
	Length 4	28,5 kg (62.9lbs)
	Length 5	43,4 kg (95.7lbs)



#### 1 Filter Series - HF3P

#### 2 Element Collapse Rating

- 1 - 17 bar (250 psi) Low Collapse
- 4 - 207 bar (3000 psi) High Collapse

#### 3 Port Options

- BB - G1 to ISO 228
- BD - G1-1/2 to ISO 228
- ME - 1-1/2" SAE 4 bolt Flange Code 61 (M12 x 1.75)
- MJ - 2" SAE 4 bolt Flange Code 61 (M12 x 1.75)
- MU - 2" SAE 4 bolt Flange Code 62 (M20 x 2.5)
- SB - 1.312 - 12 UN SAE-16 str. Thd. (1" tube)
- SD - 1.875 - 12 UN SAE-24 str. Thd. (1-1/2" tube)
- FE - 1-1/2" SAE 4 bolt Flange Code 61 (UNC)
- FJ - 2" SAE 4 bolt Flange Code 61 (UNC)
- FU - 2" SAE 4 bolt Flange Code 62 (UNC)

#### 4 Valve Options

- 1 - Non-Bypass
- 4 - Bypass set at 2.9 bar (43 psi) cracking pressure
- 6 - Bypass set at 6 bar (90 psi) cracking pressure
- 8 - Reverse Flow Valve Non-Bypass\*
- 9 - Reverse Flow Valve 2.9 bar (43 psi) Bypass\*

\* Reverse flow bypass available with BD, MU, SD and FU ports only.

#### 5 Indicator Options

- AN - Visual 4.9 bar (70 psi), No Connector
- JN - No Indicator (plug), No Connector
- KN - Visual 1 bar (15 psi), No Connector
- LN - Visual 2 bar (30 psi), No Connector
- ON - Visual 7.9 bar (115 psi), No Connector
- RB - Electrical 2 bar (30 psi), Brad Harrison
- RH - Electrical 2 bar (30 psi), Hirschmann
- RJ - Electrical 2 bar (30 psi), Hirschmann w 24 volt light
- RK - Electrical 2 bar (30 psi), Hirschmann w 115 volt light
- RL - Electrical 2 bar (30 psi), Hirschmann w 230 volt light
- TB - Electrical 7.9 bar (115 psi), Brad Harrison
- TH - Electrical 7.9 bar (115 psi), Hirschmann
- TJ - Electrical 7.9 bar (115 psi), Hirschmann w 24 volt light
- TK - Electrical 7.9 bar (115 psi), Hirschmann w 115 volt light
- TL - Electrical 7.9 bar (115 psi), Hirschmann w 230 volt light
- UB - Electrical 4.9 bar (70 psi), Brad Harrison

UH - Electrical 4.9 bar (70 psi), Hirschmann

UJ - Electrical 4.9 bar (70 psi), Hirschmann w 24 volt light

UK - Electrical 4.9 bar (70 psi), Hirschmann w 115 volt light

UL - Electrical 4.9 bar (70 psi), Hirschmann w 230 volt light

#### 6 Seal Material

- B - Buna-N
- V - Viton-A

#### 7 Assembly Length

- mm (inch)
- 1 - 230 (9.1)
- 2 - 293 (11.5)
- 4 - 414 (16.3)
- 5 - 569 (22.4)

#### 8 Element Construction

- C - 17 bar (250 psi) Low Collapse
- H - 207 bar (3000 psi) High Collapse
- X - no element

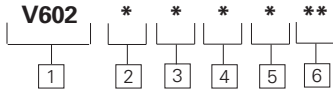
#### 9 Fluid Cleanliness Rating

Code	Target fluid cleanliness level
03	16/14/12 or better
05	18/16/14 or better
10	20/18/15 or better
20	22/19/16 or better (C-Pak only)
XX	no element

# Pressure Filters

## HF3P Series

Flows to 454 L/min (120 USgpm)  
Pressures to 420 bar (6,000 psi)



### V602 Element Model Code

Sample model code:  
V6021B1C03

#### 1 Filter element

**V602** - For use with HF3P, series filters

#### 2 Element collapse rating

**1** - 17 bar (250 psi) Collapse  
**4** - 207 bar (3000 psi) High Collapse  
NOTE: Use 1 only with bypass valve.

#### 3 Seal material

**B** - Buna-N  
**V** - Viton-A

#### 4 Element length

mm (inch)  
**1** - 101 (4)  
**2** - 203 (8)  
**4** - 330 (13)  
**5** - 406 (16)

#### 5 Element construction

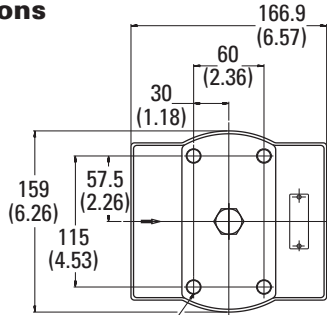
**C** - C-Pak (code 03, 05, 10, 20)  
**H** - H-Pak (code 03, 05, 10)

#### 6 Fluid cleanliness rating

Code	Target fluid cleanliness level
<b>03</b>	16/14/12 or better
<b>05</b>	18/16/14 or better
<b>10</b>	20/18/15 or better
<b>20</b>	22/19/16 or better

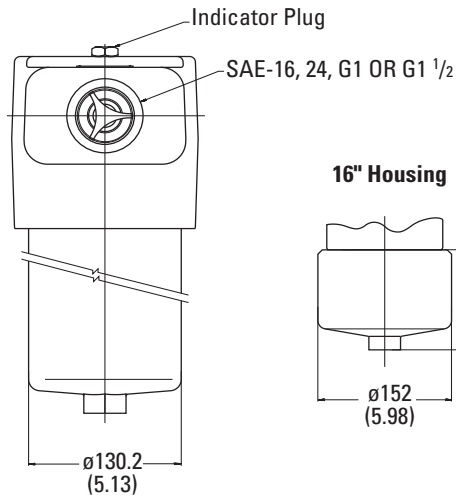
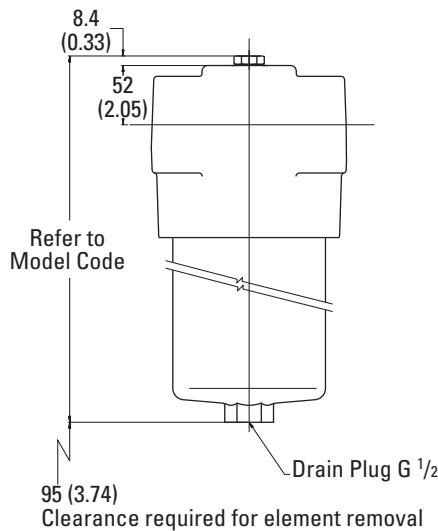
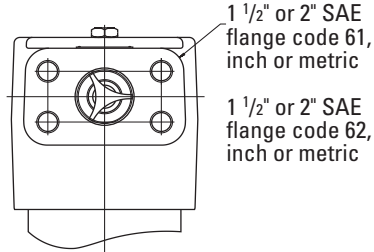
### Housing Dimensions

mm (inch)

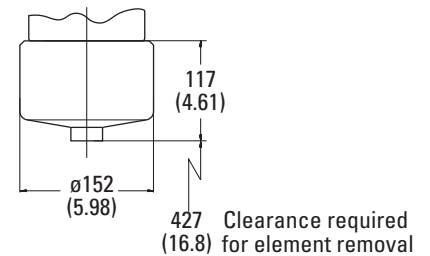


1/2-20UNF-2B in. X 17 (0.67)deep 4 Places

#### Inlet & Outlet Porting

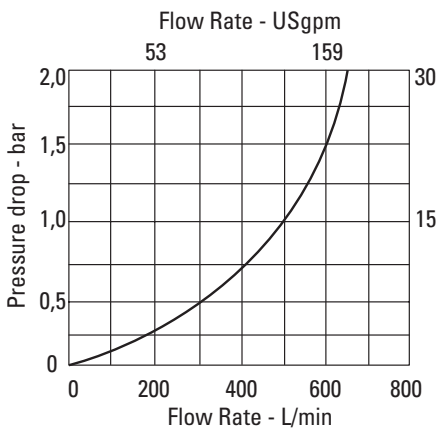


#### 16" Housing

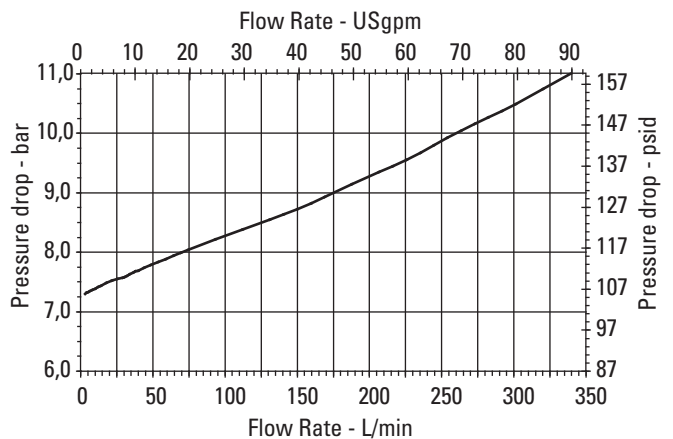


### Housing/Bypass Valve Flow Data

#### Housing



#### Bypass Valve



# Pressure Filters

Flows to 454 L/min (120 USgpm)  
Pressures to 420 bar (6,000 psi)

## HF3P Series

### Flow Data

#### Flow versus pressure drop:

150 SUS (32 cSt) oil with specific gravity of  $\leq 0.9$

### Element Flow Data

#### HF3P Filter Elements

'K' factor - bar/lpm (psi/gpm)

ELEMENT TYPE / SIZE		MICRON RATING			
		03	05	10	20
C -pak	1	0.011 (0.589)	0.009 (0.499)	0.005 (0.266)	0.003 (0.153)
	2	0.005 (0.288)	0.004 (0.241)	0.002 (0.135)	0.001 (0.076)
	4	0.003 (0.175)	0.003 (0.146)	0.001 (0.082)	0.001 (0.046)
	5	0.002 (0.132)	0.002 (0.110)	0.001 (0.061)	0.001 (0.034)
H -pak	1	0.017 (0.936)	0.012 (0.659)	0.007 (0.401)	xxx
	2	0.008 (0.455)	0.006 (0.320)	0.004 (0.195)	xxx
	4	0.005 (0.273)	0.004 (0.192)	0.002 (0.117)	xxx
	5	0.004 (0.206)	0.003 (0.145)	0.002 (0.088)	xxx

Note: For flow in gpm, use the values inside the brackets.

Note: The values for bar/lpm have been rounded to the third decimal.

**Sample  $\Delta P$  Calculation :** HF3P1SB4LNB2C05 - Filter assembly having '2' length filter element with micron rating code '05' at 100 L/min flow rate using a hydraulic fluid at 46 cSt viscosity & specific gravity (sp.gr.)0.8.

$\Delta P$ Assembly	=	$\Delta P$ Housing	+	$\Delta P$ Element
	=	Housing factor from graph $\times \text{sp.gr.}(\text{actual})/0.9$	+	Flow Rate (Lpm) $\times$ Element 'K' factor (bar/lpm) $\times$ [ actual cSt / 32 ] $\times$ [Sp.Gr(actual) / 0.9]
	=	$0.12 \times 0.8/0.9$	+	$100 \times 0.001 \times 46/32 \times 0.8/0.9$
	=	0.100	+	0.127
	=	<b>0.22 bar</b>		



# Pressure Filters

## HF3PS Series

Flows to 565 L/min (150 USgpm)  
Pressures to 410 bar (6,000 psi)



### Features and Benefits

- Beta Ratio:  $\beta_{x(c)} = 1000$  to ISO 16889
- Designed to comply with ANSI specifications and ISO cleanliness standards
- Visual, and electrical indicators with lamp options for system design flexibility
- Conforms to HF3 automotive specifications
- Fatigue rated to 6000 psi for maximum reliability in rugged applications
- Side manifold mounting for ease of maintenance in many applications
- Multiple filter element lengths for design flexibility
- High efficiency replacement elements in standard configurations (C-Pak) to meet Target Cleanliness Levels
- High collapse elements available for non-bypass applications

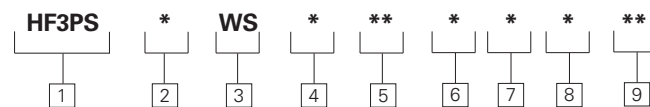
### HF3PS Series Filter and Element Model Code

#### Sample model code:

HF3PS1WS4LNB5C05

### DESIGN SPECIFICATIONS

<b>Rated flow:</b>	Length 2	265 L/min (70 USgpm)
	Length 4	454 L/min (120 USgpm)
	Length 5	565 L/min (150 USgpm)
<b>Fluid compatibility:</b>	Compatible with most petroleum oil, water glycol, oil-in-water and water-in-oil fluids. Optional seals available for phosphate esters.	
<b>Temp range:</b>	-26°C to +121°C (-15°F to +250°F)	
<b>Pressure rating:</b>	Operating	310 bar (4500 psi)
	Fatigue	410 bar (6000 psi)
<b>Material:</b>	Head	Ductile iron
	Bowl	Carbon Steel
<b>Dry weight:</b> (Approximate)	Length 2	21,8 kg (48.0 lbs)
	Length 4	28,5 kg (62.8 lbs)
	Length 5	41,4 kg (91.3 lbs)

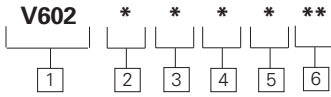


<b>1</b> Filter Series - HF3PS	<b>RH</b> - Electrical 2 bar (30 psi), Hirschmann	<b>UK</b> - Electrical 4.9 bar (70 psi), Hirschmann w 115 volt light
<b>2</b> Element Collapse Rating	<b>RJ</b> - Electrical 2 bar (30 psi), Hirschmann w 24 volt light	<b>UL</b> - Electrical 4.9 bar (70 psi), Hirschmann w 230 volt light
<b>1</b> - 17 bar (250 psi) Low Collapse	<b>RK</b> - Electrical 2 bar (30 psi), Hirschmann w 115 volt light	
<b>4</b> - 207 bar (3,000 psi) High Collapse	<b>RL</b> - Electrical 2 bar (30 psi), Hirschmann w 230 volt light	
<b>3</b> Port Options	<b>TB</b> - Electrical 7.9 bar (115 psi), Brad Harrison	<b>6</b> Seal Material
<b>WS</b> - Subplate mounting	<b>TH</b> - Electrical 7.9 bar (115 psi), Hirschmann	<b>B</b> - Buna-N
<b>4</b> Valve Options	<b>TJ</b> - Electrical 7.9 bar (115 psi), Hirschmann w 24 volt light	<b>V</b> - Viton-A
<b>1</b> - Non-Bypass	<b>TK</b> - Electrical 7.9 bar (115 psi), Hirschmann w 115 volt light	<b>7</b> Assembly Length
<b>4</b> - Bypass set at 2.9 bar (43 psi) cracking pressure	<b>TL</b> - Electrical 7.9 bar (115 psi), Hirschmann w 230 volt light	mm (inch)
<b>6</b> - Bypass set at 6 bar (90 psi) cracking pressure	<b>UB</b> - Electrical 4.9 bar (70 psi), Brad Harrison	<b>2</b> - 340 (13.3)
<b>5</b> Indicator Options	<b>UH</b> - Electrical 4.9 bar (70 psi), Hirschmann	<b>4</b> - 461 (18.1)
<b>AN</b> - Visual 4.9 bar (70 psi), No Connector	<b>UJ</b> - Electrical 4.9 bar (70 psi), Hirschmann w 24 volt light	<b>5</b> - 614 (24.2)
<b>JN</b> - No Indicator (plug), No Connector		<b>8</b> Element Construction
<b>KN</b> - Visual 1 bar (15 psi), No Connector		<b>C</b> - 17 bar (250 psi) Low Collapse
<b>LN</b> - Visual 2 bar (30 psi), No Connector		<b>H</b> - 207 bar (3000 psi) High Collapse
<b>ON</b> - Visual 7.9 bar (115 psi), No Connector		<b>X</b> - no element
<b>RB</b> - Electrical 2 bar (30 psi), Brad Harrison		<b>9</b> Fluid Cleanliness Rating
		<b>Code</b> <b>Target fluid cleanliness level</b>
		<b>03</b> 16/14/12 or better
		<b>05</b> 18/16/14 or better
		<b>10</b> 20/18/15 or better
		<b>20</b> 22/19/16 or better
		<b>XX</b> no element

# Pressure Filters

## HF3PS Series

Flows to 565 L/min (150 USgpm)  
Pressures to 310 bar (4,500 psi)



### V602 Element Model Code

#### Sample model code:

V6021B1C03

#### 1 Filter Element

**V602** - For use with HF3P, HF3PS and OFR30 series filters

#### 2 Element Collapse Rating

**1** - 17 bar (250 psi) Low Collapse  
**4** - 206.9 bar (3,000 PSI) High Collapse  
NOTE: Use 1 only with bypass valve.

#### 3 Seal Material

**B** - Buna-N  
**V** - Viton-A

#### 4 Element Length

mm (inch)  
**2** - 203 (8)  
**4** - 330 (13)  
**5** - 406 (16)

#### 5 Element Construction

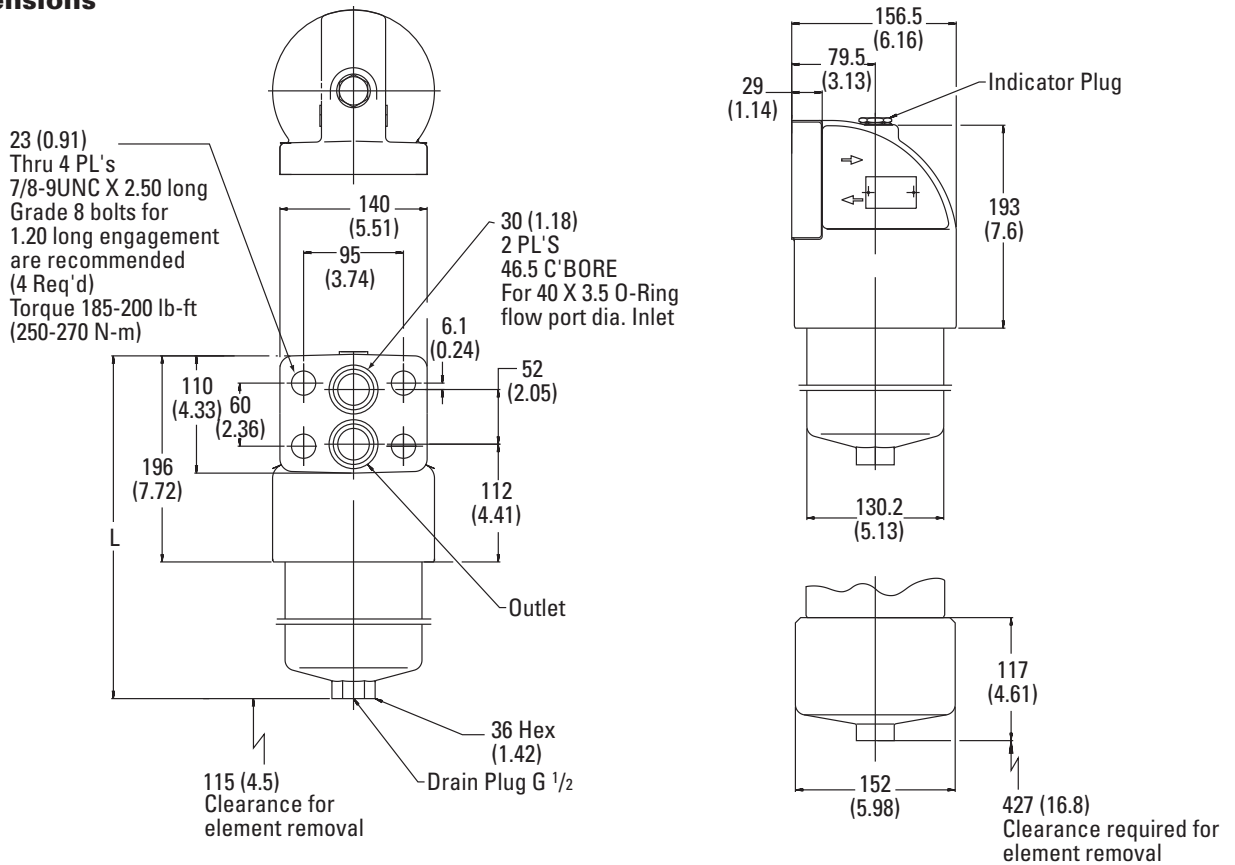
**C** - C-Pak (code 3, 5, 10, 20)  
**H** - H-Pak (code 3, 5, 10)

#### 6 Fluid Cleanliness Rating

Code	Target fluid cleanliness level
<b>03</b>	16/14/12 or better
<b>05</b>	18/16/14 or better
<b>10</b>	20/18/15 or better
<b>20</b>	22/19/16 or better

### Housing Dimensions

mm (inch)



# Pressure Filters

Flows to 565 L/min (150 USgpm)  
Pressures to 310 bar (4,500 psi)

## HF3PS Series

### Flow Data

#### Flow versus pressure drop:

150 SUS (32 cSt) oil with specific gravity of  $\leq 0.9$

### HF3PS Filter Elements Flow Data

'K' factor - bar/lpm (psi/gpm)

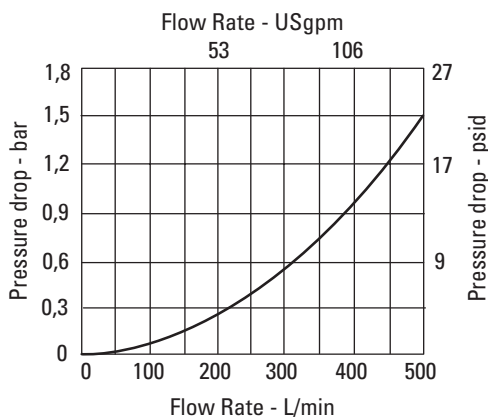
ELEMENT	TYPE / SIZE	MICRON RATING			
		03	05	10	20
C -pak	1	0.011 (0.589)	0.009 (0.499)	0.005 (0.266)	0.003 (0.153)
	2	0.005 (0.288)	0.004 (0.241)	0.002 (0.135)	0.001 (0.076)
	4	0.003 (0.175)	0.003 (0.146)	0.001 (0.082)	0.001 (0.046)
	5	0.002 (0.132)	0.002 (0.110)	0.001 (0.061)	0.001 (0.034)
H -pak	1	0.017 (0.936)	0.012 (0.659)	0.007 (0.401)	xxx
	2	0.008 (0.455)	0.006 (0.320)	0.004 (0.195)	xxx
	4	0.005 (0.273)	0.004 (0.192)	0.002 (0.117)	xxx
	5	0.004 (0.206)	0.003 (0.145)	0.002 (0.088)	xxx

Note: For flow in gpm, use the values inside the brackets.

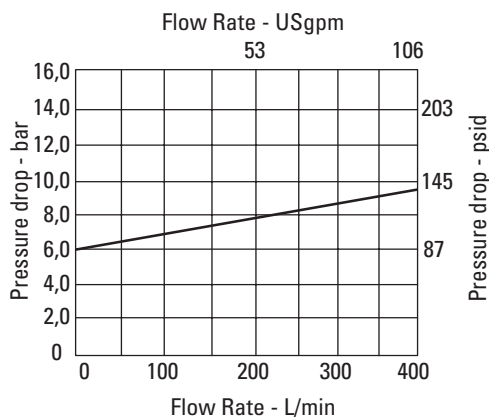
Note: The values for bar/lpm have been rounded to the third decimal.

### Housing/Bypass Valve Flow Data

#### Housing



#### Bypass Valve



### Sample $\Delta P$ Calculation :

HF3PS1WS4LNB5C05 - Filter assembly having '5' length filter element with micron rating code '05' at 200 L/min flow rate using a hydraulic fluid at 46 cSt viscosity & specific gravity (sp.gr.)0.8.

$\Delta P$ Assembly	=	$\Delta P$ Housing	+	$\Delta P$ Element
	=	Housing factor from graph $\times \text{sp.gr.}(\text{actual})/0.9$	+	Flow Rate (Lpm) $\times$ Element 'K' factor (bar/lpm) $\times$ [ actual cSt / 32 ] $\times$ [Sp.Gr(actual) / 0.9]
	=	$0.28 \times 0.8/0.9$	+	$200 \times 0.002 \times 46/32 \times 0.8/0.9$
	=	0.250	+	0.51
	=	<b>0.76 bar</b>		

# Pressure Filters

## DMP DIN Series Filters

Flows to 100 L/min (25 USgpm)  
Pressures to 100 bar (1,450 psi)

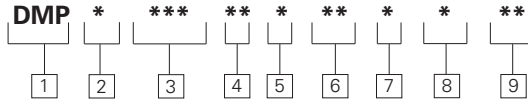


### Features and Benefits

- Beta Ratio:  $\beta_{X(c)} = 1000$  to ISO 16889
- Designed to Comply with DIN 24550 specifications
- Fatigue rated to 100 Bar
- Visual and electrical indicators with light options for system design flexibility
- High efficiency six layer media elements
- Bypass and non-bypass options available

### DESIGN SPECIFICATIONS

<b>Rated flow:</b>	040 063 100	40 L/min (11USgpm) 63 L/min (17USgpm) 100 L/min (26USgpm)
<b>Fluid compatibility:</b>	Compatible with most petroleum oil, oil-in-water and water-in-oil fluids. Optional seals available for phosphate esters	
<b>Temp range:</b>	-10°C to + 100°C (+14°F to +212°F)	
<b>Pressure rating:</b>	Fatigue	100 bar (1450 psi)
<b>Material:</b>	040/063 100	Aluminum Aluminum and Steel
<b>Dry weight:</b>	040 063 100	1,8kg (4.0 lbs) 1,8kg (4.0 lbs) 4,2kg (9.3 lbs)



### DMP Series Filter

#### Sample model code:

DMP1100BD6ANBC06

#### 1 Filter Series

**DMP** - DIN Medium Pressure

#### 2 Element Collapse Rating

- 1** - 30 bar (435 psi)  
Low Collapse
- 4** - 160 bar (2,320 psi)  
High Collapse

#### 3 Nominal Size

- 040** - 40 L/min (10.6 USgpm)
- 063** - 63 L/min (16.6 USgpm)
- 100** - 100 L/min (26.4 USgpm)

#### 4 Port Size

- BB** - G 1/2 (Length 040 only)
- BC** - G 3/4 (Length 063 only)
- BD** - G 1 (Length 100 only)

#### 5 Valve Options

- 1** - Non-Bypass
- 6** - Bypass set at 7 bar (100 psi) cracking pressure

#### 6 Indicator Options

- AN** - Visual 5 bar (70 psi),  
No Connector
- JN** - No Indicator, No  
Connector
- TB** - Electrical 5 bar (70 psi),  
Brad Harrison Connector
- TH** - Electrical 5 bar (70 psi),  
Hirschmann

#### 7 Seal Material

- B** - Buna-N
- V** - Viton-A

#### 8 Element Construction

- C** - Standard Construction
- H** - High Collapse
- X** - no element

#### 9 Fluid Cleanliness Rating

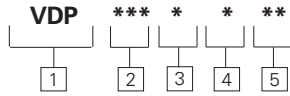
Code	Target fluid cleanliness level
<b>03</b>	16/14/12 or better
<b>06</b>	18/16/14 or better
<b>10</b>	20/18/15 or better
<b>25</b>	22/19/16 or better
<b>XX</b>	no element

# Pressure Filters

## DMP DIN Series

### Filters

Flows to 100 L/min (25 USgpm)  
Pressures to 100 bar (1,450 psi)



#### Element model code

Sample model code:

VDP160BC06

#### 1 Filter Element

VDP - DIN Standard Element

#### 2 Nominal Size

040 - 40 L/min (10.6 USgpm)

063 - 63 L/min (16.6 USgpm)

100 - 100 L/min (26.4 USgpm)

#### 3 Seal Material

B - Buna-N

V - Viton-A

#### 4 Element Construction

C - Standard Construction

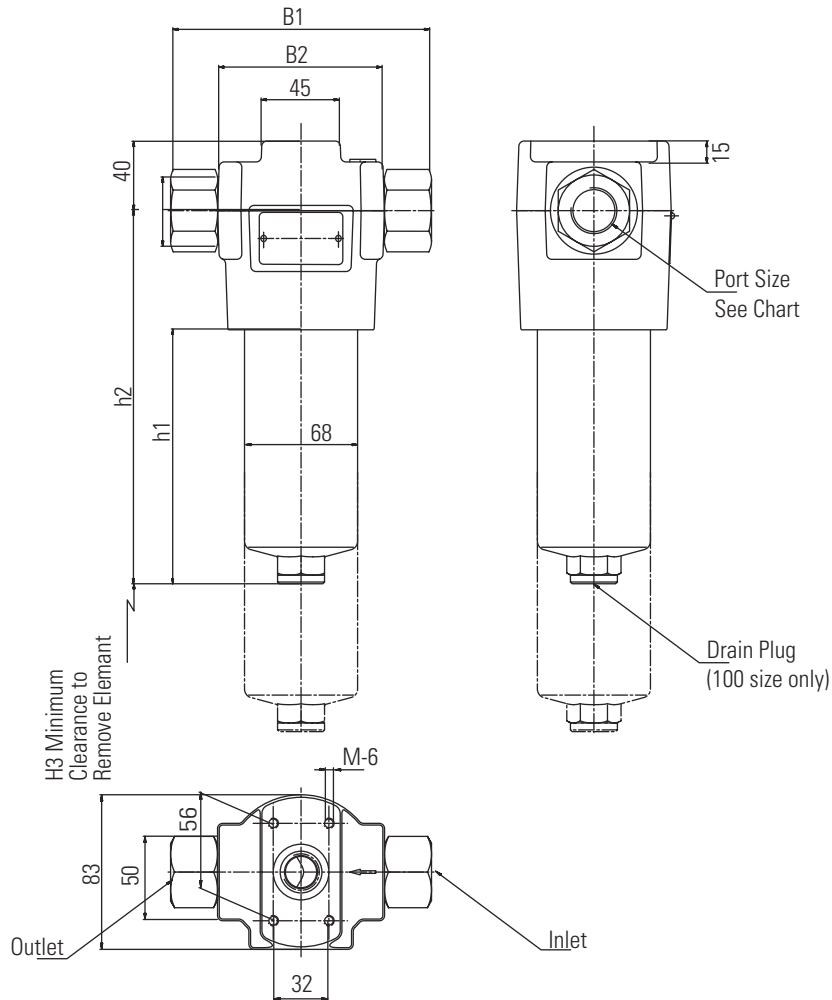
H - High Collapse

#### 5 Fluid Cleanliness Rating

Code	Target fluid cleanliness level
03	16/14/12 or better
06	18/16/14 or better
10	20/18/15 or better
25	22/19/16 or better

#### Dimensions DRT Series

Dimensions in mm



# Pressure Filters

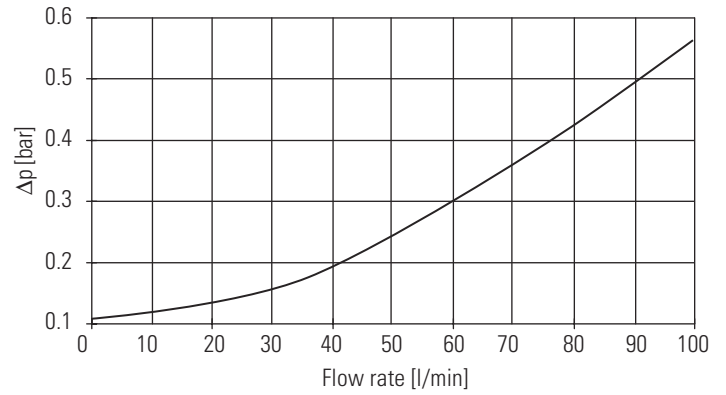
Flows to 100 L/min (25 USgpm)  
Pressures to 100 bar (1,450 psi)

## DMP DIN Series Filters

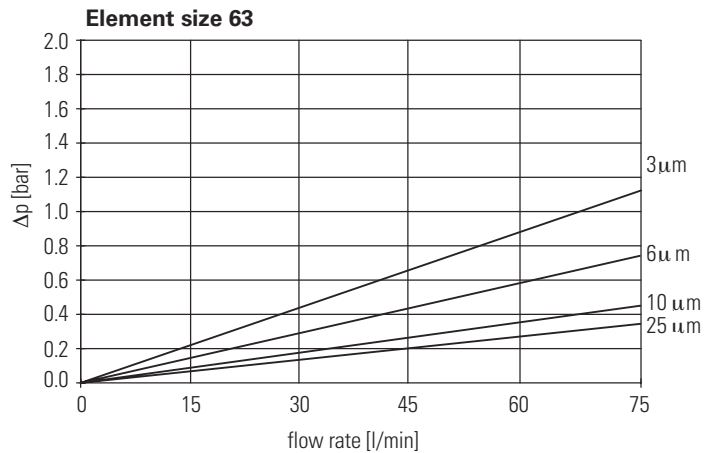
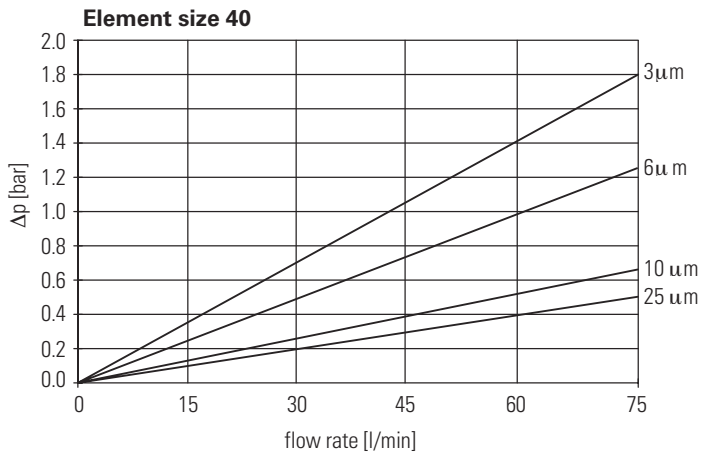
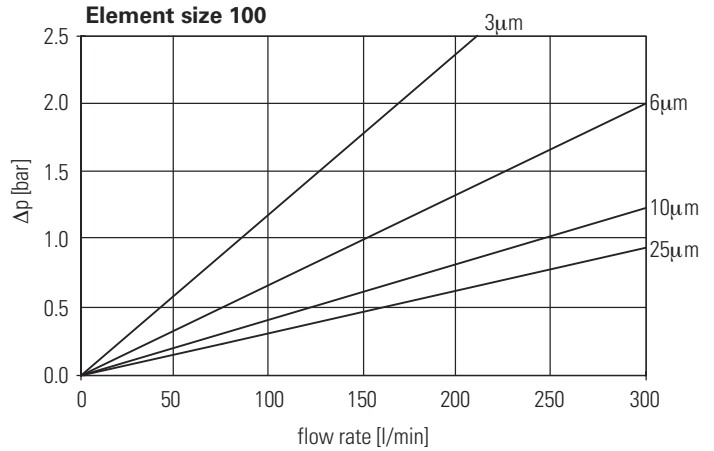
### Housing and Element Flow Data

#### DMP 040, 063, 100 Series Housing Data

TYPE	PORT SIZE	B1	B2	H1	H2	H3
DMP 040	G 1/2	–	92	91	146	75
DMP 063	G 3/4	–	92	152	207	75
DMP 100	G 1	160	–	246	301	85



#### DMP Series Element Flow Data



# Pressure Filters

## DHP DIN Series Filters

Flows to 400 L/min (106 USgpm)  
Pressures to 400 bar (5,801 psi)

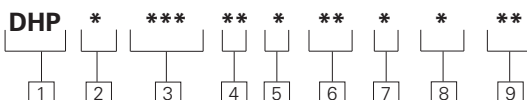


### Features and Benefits

- Beta Ratio:  $\beta_{x(c)} = 1000$  to ISO 16889
- Designed to Comply with DIN 24550 specifications
- Fatigue rated: 063, 100, and 250 size:(400 bar)  
400 size: (210 bar)
- Visual and electrical indicators with light options for system design flexibility
- High efficiency six layer media elements
- Bypass and non-bypass options available

### DESIGN SPECIFICATIONS

<b>Rated flow:</b>	063	100	250	400	63L/min (16.6USgpm)	100L/min (26.4USgpm)	250L/min (66.0USgpm)	400L/min (105.7USgpm)
<b>Housing &amp; Element Compatibility:</b>	Compatible with most petroleum oil, water glycol, and oil in-water fluids. Optional seals available for phosphate esters.							
<b>Temp range:</b>	-10°C to + 100°C (+14°F to +212°F)							
<b>Pressure rating:</b>	Operating	063, 100, 250	400		400 bar (5800PSI)	210 bar (3045PSI)		
<b>Material:</b>	Nodular Iron and Steel							
<b>Dry weight:</b>	063	100	250	400	6.0kg (13.2lbs.)	7.5kg (16.5lbs.)	13.0kg (28.6lbs.)	28.0kg (61.7lbs.)
<b>(Approximate with element)</b>								



### DHP Series Filter Model Code

Sample model code:  
DHP1100BD6ANBC06

#### 1 Filter Series

DHP - DIN High Pressure

#### 2 Element Collapse Rating

1 - 30 bar (435 psi) Low Collapse  
4 - 160 bar (2320 psi) High Collapse

#### 3 Nominal Size

063 - 63L/min (16.6USgpm)  
100 - 100L/min (26.4USgpm)  
250 - 250L/min (66.0USgpm)  
400 - 400L/min (105.7USgpm)

#### 4 Port Size

TYPE	PORT SIZE	FILTER SIZE			
		63	100	250	400
BC	G 3/4	•			
BD	G 1		•		
BE	G 1-1/2			•	
BK	DN38				•

#### 5 Valve Options

1 - Non-Bypass  
6 - Bypass set at 7 bar (100 psi) cracking pressure

#### 6 Indicator Options

AN- Visual 5 bar (70 psi), No Connector  
JN- No Indicator, No Connector  
TB- Electrical 5 bar (70 psi), Brad Harrison Connector  
TH- Electrical 5 bar (70 psi), Hirschmann

#### 7 Seal Material

B - Buna-N  
V - Viton-A  
Viton is a registered trademark of E.I. DuPont

#### 8 Element Construction

C - Standard Construction  
H - High Collapse Construction  
X - no element

#### 9 Media Code

03 - 16/14/12 or better  
06 - 18/16/14 or better  
10 - 20/18/15 or better  
25 - 22/19/16 or better  
XX - no element



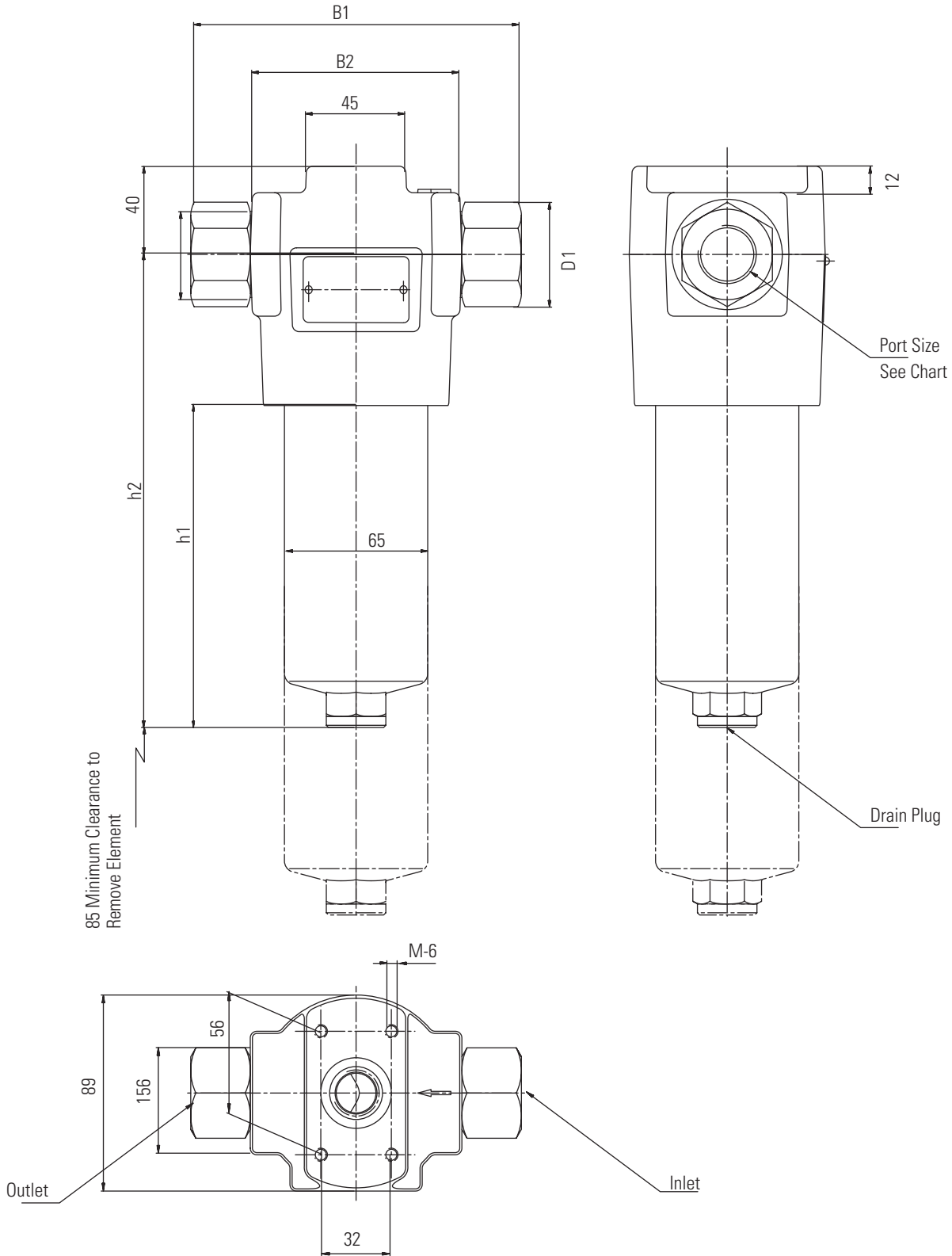
# Pressure Filters

## DHP DIN Series

### Filters

Flows to 400 L/min (106 USgpm)  
 Pressures to 400 bar (5,801 psi)

#### Dimensions DHP 063, 100 Series

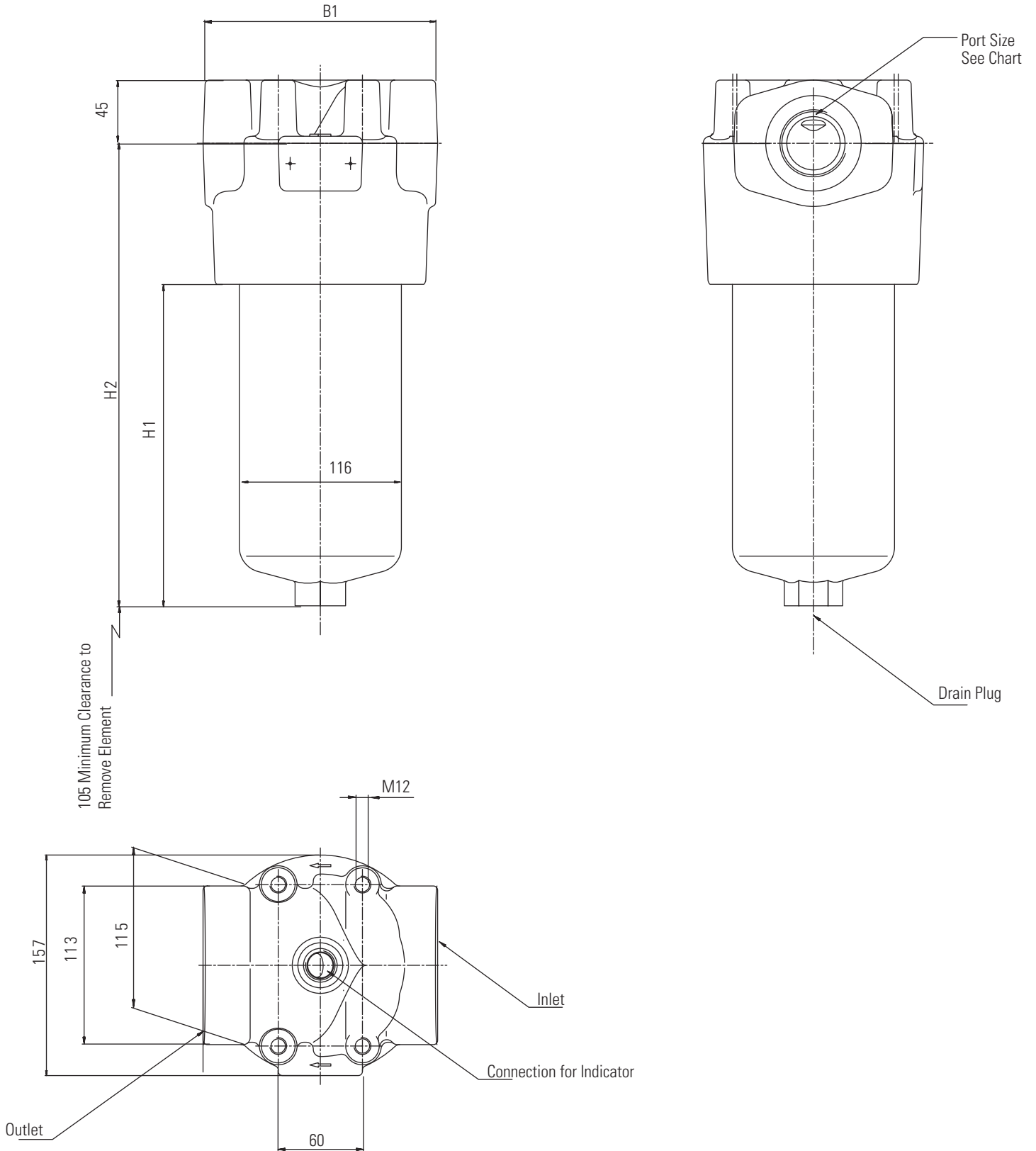


# Pressure Filters

Flows to 400 L/min (106 USgpm)  
Pressures to 400 bar (5,801 psi)

## DHP DIN Series Filters

### Dimensions DHP 250 and 400 Series



# Pressure Filters

## DHP DIN Series Filters

Flows to 400 L/min (106 USgpm)  
Pressures to 400 bar (5,801 psi)

### DHP 063, 100 Series Housing Data

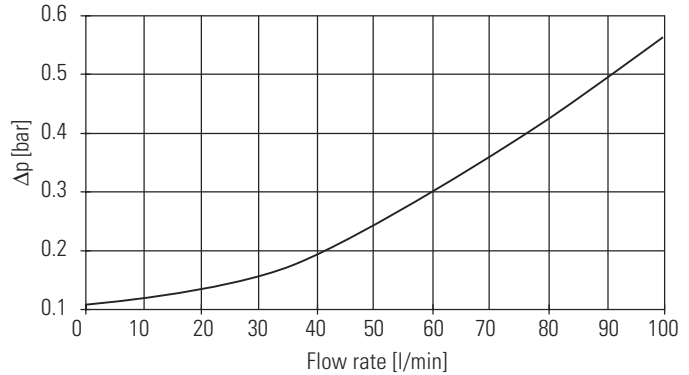
#### Filter Housing Flow Data

Flow versus pressure drop:

32 cSt oil with specific gravity of  $\leq 0.9$   
(See page 5 for specific gravity corrections for pressure drop.)

TYPE	PORT SIZE	B1	B2	D1	H1	H2
DHP 063	G 3/4	150	–	–	146	215
DHP 100	G 1	–	96	50	236	305

DHP 063/100



### DHP 250, 400 Series Housing Data

#### Filter Housing Flow Data

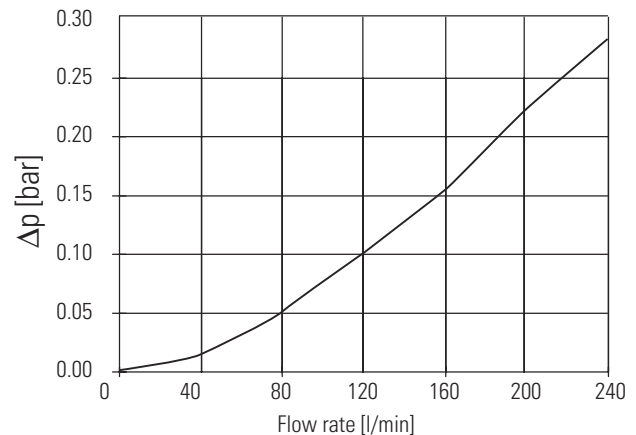
Flow versus pressure drop:

32 cSt oil with specific gravity of  $\leq 0.9$   
(See page 5 for specific gravity corrections for pressure drop.)

TYPE	PORT SIZE	B1	H1	H2
DFN 250	G 1 1/2	167	229	330
DFN 400	DN 38*	158	379	480

\* Flange SAE 1 1/2", 3000 PSI (210 bar)

DHP 250 /400

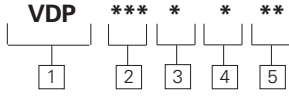


# Pressure Filters

## DHP DIN Series Filters

### Element Model Code

(For use in DHP, DMP, and DLR Series Housings)



#### 1 Filter Element

**VDP** - DIN Standard Element

#### 2 Nominal Size

**063** - 63L/min (16.6USgpm)  
**100** - 100L/min (26.4USgpm)  
**250** - 250L/min (66.0USgpm)  
**400** - 400L/min (105.7USgpm)

#### 3 Seal Material

**B** - Buna-N  
**V** - Viton-A  
 Viton is a registered trademark of E.I. DuPont

#### 4 Element Construction

**C** - Standard Construction  
**H** - High Collapse Construction

#### 5 Media Grade

**03** 16/14/12 or better  
**06** 18/16/14 or better  
**10** 20/18/15 or better  
**25** 22/19/16 or better

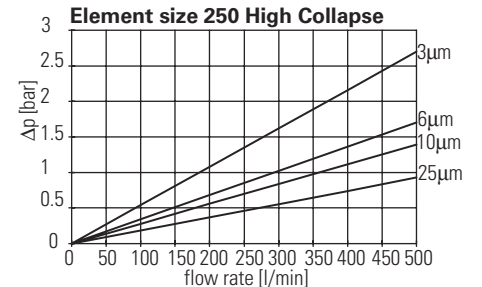
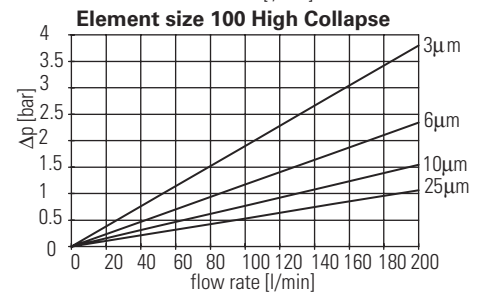
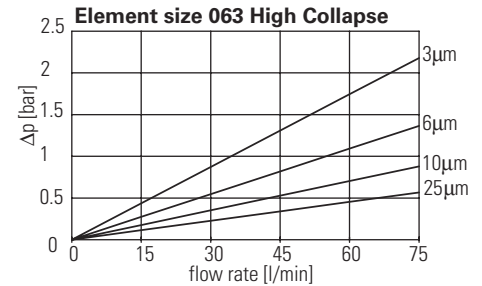
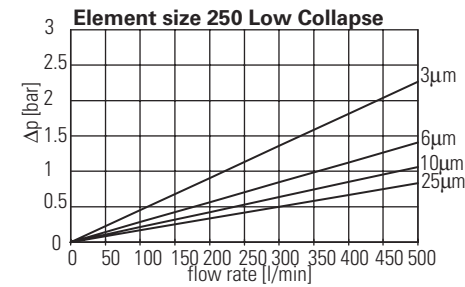
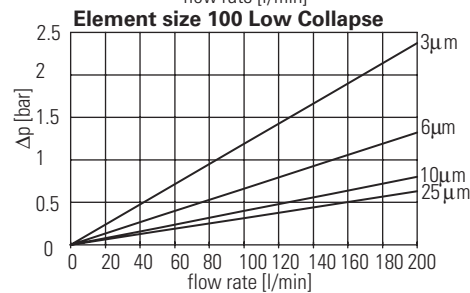
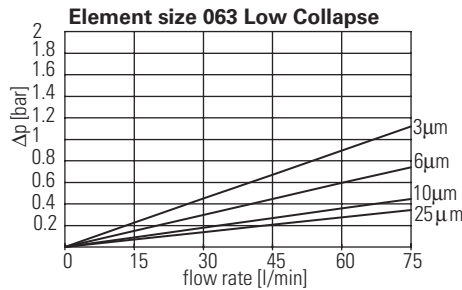
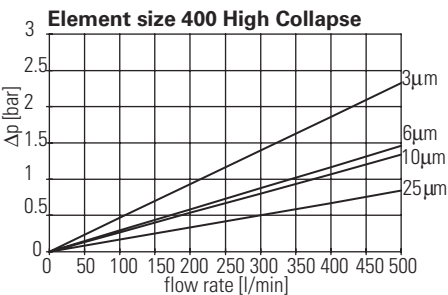
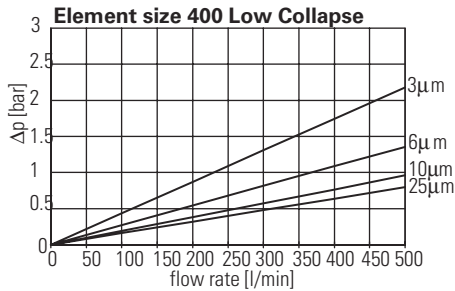
### Sample model code:

VDP063BC06

### VDP Series Element Flow Data

Flow versus pressure drop: 32 cSt oil with specific gravity of  $\leq 0.9$

(See page 6 for viscosity corrections for pressure drop.)



### Sample ΔP Calculation :

DHP1100BC4ANBC06 - Filter assembly having filter element with micron rating code '06' at 70 L/min flow rate using a hydraulic fluid at 46 cSt viscosity & specific gravity (sp.gr.)0.8.

<b>ΔP Assembly</b>	=	ΔP Housing	+	ΔP Element
	=	Housing ΔP from graph x sp.gr.(actual)/0.9	+	Element ΔP valve from from graph(bar/lpm) x [ actual cSt / 32 ] x [Sp.Gr(actual) / 0.9]
	=	0.35 x 0.8/0.9	+	0.4 x 46/32 x 0.8/0.9
	=	0.310	+	0.51
	=	<b>0.82 bar</b>		

# Off-Line Filters

## General Data

Off-line filtration systems (also referred to as a kidney loops or recirculation loops) are typically found in variable volume pump systems where system filters do not see continuous flow or where the return flow volume makes a return filter impractical. These systems typically consist of a separate pump and filter plumbed to the reservoir along with associated components to provide a continuous recirculating flow of fluid from the reservoir through the filter and back to the reservoir.

There are many advantages to incorporating an off-line filtration package. Because the system is at a low pressure and the flow is continuous with little or no flow surges, economical low pressure filter housings can be used. In addition, because temperature control is necessary to ensure that the components see the proper viscosity and that the oxidation rate of the fluid

is optimized, heat exchangers can be used within the off-line system to achieve the necessary operating parameters. The off-line system can also be used as the make-up point to add fluid to the system and help ensure that only clean fluid is introduced to the system. The off-line system can also be shut-down to change filter elements without securing the main system.

Rarely can an off-line filtration system be used as the sole contamination control solution. It is normally used to supplement the main system filters and a typical recommended size for the off-line system flow rate is approximately 20% of the total main system volume.

In addition to hydraulic systems, off-line filtration systems can be used on gearbox applications to clean the fluid where there are no other lubrication circulation systems present.

## Applications

- Pulp and paper mill equipment
- Large central hydraulic power units
- Injection molding equipment
- Stamping presses
- Extrusion machines



# Off-Line Filters

## EPHFF

### Eaton Portable Handheld

Flows to 15 L/min (4 USgpm)  
Pressures to 3.5 bar (50 psi)



#### Features and Benefits

- Ideal for maintaining construction, agricultural machinery, off-highway trucks and vehicles
- Equally useful for servicing a wide variety of industrial equipment
- Incorporates a highly efficient spin-on filter element
- Relief valve housing
- Static pressure gauge clogging indicator
- Element easily replaced with stap wrench

#### Applications

- The portable filtration unit is a compact filter/pump device used for transferring and filtering hydraulic fluids
- Removing water from oil
- Changing oil in hydraulic systems
- Filling hydraulic systems with filtered oil
- Off-line filtration of hydraulic systems with inadequate filtering capacity

#### DESIGN SPECIFICATIONS

<b>Rated flow:</b>	15 L/min (4 USgpm)
<b>Fluid Compatibility:</b>	Compatible with petroleum based fluids
<b>Material:</b>	Aluminum
<b>Temp range:</b>	Up to 80°C (180°F)
<b>Dry weight: (Approximate)</b>	12.5 kg (27.5 lbs)
<b>Pressure rating:</b>	3.5 bar (50 psi)

#### TECHNICAL DATA

<b>Fluid Compatibility:</b>	Petroleum based oils
<b>Nominal Flow:</b>	4 GPM/ 15 l/min
<b>Maximum Oil Temperature:</b>	80°C (180°F)
<b>Viscosity Range:</b>	40 to 2300 SUS 5-500 mm <sup>2</sup> /sec
<b>Max. Operating Pressure:</b>	50 psi/3.5 bar
<b>Weight:</b>	27.5 lb/12.5 kg
<b>Electrical Motor:</b>	110 VAC (0.25 HP/0.18 KW)
<b>Dimensions:</b>	Length 3660mm (14.41") Width 3650mm (14.37") Height 3650mm (14.37")

**Note:** V0211B1 series Elements ordered separately.  
See OFRS60 Catalog pages for more information on V0211B1 series elements.

# Off-Line Filters

## CC OFRS 60

### Clean Cart

Flows to 19 L/min (5 USgpm)  
Pressures to 4 bar (65 psi)



#### Features and Benefits

- Choice of 3, 5, 10, or 20  $\mu\text{m}$  absolute rated filter elements, all with Beta Ratios  $\geq 200$  for maximum efficiency
- 10m of water removal elements with capacity of 0.45 quarts of water each
- Welded tubular steel frame for durability
- Dirt-tolerant, self-priming vane pump
- Compact design, balanced weight, and large tires for easy handling
- Spiral-reinforced, clear, 10' PVC hoses with 20" steel end wands
- 520 $\mu\text{m}$  cleanable strainer before the pump

#### Applications

- Filter particles and/or water from new oil while filling a reservoir
- Recirculate and filter oil during start-up, when contamination is often heaviest
- Recirculate and filter oil off-line on systems with inadequate filtering capacity
- Empty a storage tank or reservoir
- Ideal for use in industrial plants and in other demanding applications because of their efficiency, capacity, and durability

#### DESIGN SPECIFICATIONS

<b>Rated flow:</b>	CCOFRS60 05 part #5003889	19 L/min (5 USgpm)
	CCOFRS60 10 part #5003912	38 L/min (10 USgpm)
<b>Fluid Compatibility:</b>	Compatible with petroleum based fluids	
<b>Material:</b>	Steel	
<b>Temp range:</b>	+10 to +54°C (+50 to +130°F)	
<b>Dry weight: (Approximate)</b>	52 kg (115 lbs)	
<b>Pressure rating:</b>	4.5 bar (65 psi)	

#### TECHNICAL DATA

<b>Fluid Compatibility:</b>	Mineral oil, including lube and fuel oil. Note: Not allowed for use on water based fluids.	
<b>Motor:</b>	1750rpm, 1/2 HP (5 USgpm), 3/4 HP (10 USgpm) 110V Single Phase	
<b>Electric Cord:</b>	20' long	
<b>Pump:</b>	Direct drive vane, 5 or 10 gpm, self-priming	
<b>Clogging Indicators:</b>	Color coded static pressure gauge	
<b>Strainer:</b>	Stainless steel, 520 $\mu\text{m}$	
<b>Hoses:</b>	Spiral-reinforced clear PVC, standard 10' length, 20" steel wands	
<b>Dimensions:</b>	Height 51" Width 21.5" Length 27.5"	
<b>Weight of Cart:</b>	115 lbs	
<b>Operating Range:</b>	Fluid temperature +10 to +54°C (+50 to +130°F) Pressure to 4 bar (65 psi) Viscosity 100 - 500 SUS	

**Note:** V0211B1 series or V0211B2 series Elements ordered separately.  
See OFRS60 Catalog pages for more information on V0211B1 or V0211B2 series elements.



# Off-Line Filters

## OLF15V

### Off-Line Filtration Package

Flows to 19 L/min (4.9 USgpm)  
Pressures to 3 bar (45 psi)



#### Features and Benefits

- Ultra high efficiency membrane element technology Beta<sub>2</sub>>1000
- Compact design
- Water removal elements available
- 20 micron element available for gear box applications
- High capacity elements (200 grams)
- Single Vane pump- 5 USgpm (19 L/min) capacity at 3 bar
- Driven by AC motor

#### Applications

The OLF 15V is ideal for systems in which the ingress rate of contamination is relatively low. Applications well suited for the new product include:

- Plastic injection molding systems
- In-plant press systems
- The 20-micron element is normally more than adequate for gearbox applications.

#### DESIGN SPECIFICATIONS

<b>Rated flow:</b>	19 L/min (5 USgpm)
<b>Fluid Compatibility:</b>	Compatible with petroleum based fluids
<b>Material:</b>	Aluminum
<b>Temp range:</b>	-20 to +40°C (-4 to +104°F)
<b>Dry weight:</b> (Approximate)	11 kg (24.3 lbs)
<b>Pressure rating:</b>	3 bar (45 psi)

#### TECHNICAL DATA

##### Operating Range

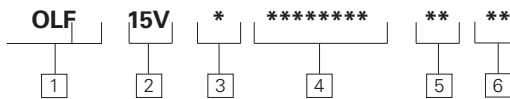
<b>Viscosity:</b>	3000 SUS
<b>Operating Pressure:</b>	3 bar (45 psi)
<b>Suction Pressure:</b>	-0.4 bar (11" Hg) max
<b>Inlet Pressure</b>	10 bar (145 psi) min
<b>Fluid Temperature:</b>	0 to +80°C (+32 to +175°F)
<b>Ambient Temperature:</b>	-20 to +40°C (-4 to +104°F)
<b>Seals:</b>	Buna-N
<b>Maximum Flow Rate:</b>	18.5 L/min (4.9 USgpm)

##### Elements

<b>Dirt Holding Capacity:</b>	200g ISO MTD, or approximately 0.45lbs
<b>Water Retention:</b>	(ΔP = 2.5 bar [36 psi]): Approximately 0.5 quarts (0.5 liters)
<b>Beta Ratio:</b>	β <sub>2</sub> > 1000 (absolute value)
<b>Maximum ΔP:</b>	3 bar (45 psi)

##### Dimensions:

Length 538mm (21.2")  
Width 168mm (6.61")  
Height 109mm (7.48")



#### OLF15V Off-Line Filtration Package Model Code

**1** OLF- Filtration Unit

**2** 15V - (19 L/min) Vane Pump

**3** Motor Voltage

**K** - 115 Volt AC, 1 Phase, 60Hz

**M** - 220 Volt AC, 1 Phase, 50Hz

**N** - 220/440 Volt AC, 3 Phase, 50 or 60Hz

**4** Filter Element

**V15BMC02** - 2 Micron filter element

**V15BMW02** - 2 Micron filter with water removal element

**V15BMC20** - 20 Micron filter element

**V15BMW20** - 20 Micron filter with water removal element

**5** Port Options

**SB** - 1-5/16-12 (SAE-16)

**BB** - G1 BSPP thread

**6** Indicator Options

**JN** - No indicator (plug), No Connector

**LN** - Visual 2 bar (30 PSI), No Connector

**RB** - Electrical 2 bar (30 PSI), Brad Harrison

**RH** - Electrical 2 bar (30 PSI), Hirschmann

**RJ** - Electrical 2 bar (30 PSI), Hirschmann with 24 Volt light

**RK** - Electrical 2 bar (30 PSI), Hirschmann with 115 Volt light

**RL** - Electrical 2 bar (30 PSI), Hirschmann with 230 Volt light

# Accessories

## Fluid Sampling

### Features and Benefits

Remove metal dustcover on discharge port. Discharge approximately 200 ml of oil to flush valve by turning knurled knob 1/4 turn to the right. Dispose of this sample in the appropriate manner. Locate clean oil sample bottle under discharge port.

Turn knurled knob 1/4 turn to the right until bottle is filled to the desired level. The knob can be backed off to throttle the rate of flow. When bottle is filled let go of the knurled knob, the valve will close automatically. Replace metal dustcover wrench tight. For more information see Fluid Analysis section at front of this catalog where sample kit options are listed.

### Applications

Engine oil, lubricating oil, transmission fluid and hydraulic fluids in mobile construction equipment, military vehicles, trucks and stationary equipment.

For best results, Eaton FD15 Oil Sampling Valves should be installed in dynamic fluid lines in low pressure and return lines. If only one sampling point can be chosen, it should be in the return line, upstream of any return line filter. This will insure a representative sample of all components in the fluid system for their present condition.



#### 0-50 psi

PART NUMBER	INLET PORTS
FD15-1026-04	1/4" NPTF
FD15-1025-04	7/16-20 Male ORB

As required in MIL-V-81940/2-1 this valve's flow rate is between 100 and 1500 milliliters per minute at pressures from 0-50 psi. (MIL-V-81940/2-1 applies only to pressures from 50-300 psi.)



#### 50-300 psi

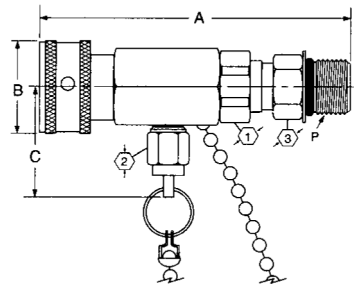
PART NUMBER	INLET PORTS
FD15-1000-02	1/8" NPTF
FD15-1000-04*	1/4" NPTF
FD15-1002-04	7/16-20 Male ORB

\*The 1/4" NPTF version is qualified to MIL-V-81940/2-1 and its performance is representative of the other inlet port configurations listed above. QPL-81940-9 6-5-89

### DESIGN SPECIFICATIONS

<b>Construction:</b>	Corrosion resistant plated steel with brass internal components and Buna-N seal
<b>Operating Temp range:</b>	-53°C to +135°C (-65°F to +275°F)
<b>Minimum Burst Pressure:</b>	1200psi
<b>Minimum Particle Restriction:</b>	500 microns
<b>Maximum Torque to Operate:</b>	10 in. lbs.

**Note:** This valve is not intended for aerospace applications



### INDICATOR OPTIONS (3,000 PSI - USE WITH FILTER MODELS HV6R, HV3R)

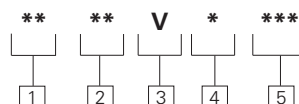
Coupling Size	Thread Size (P)	Dimension Data			①	②	③	Part No. Buna-N
		A	B	C				
—	1/8-27	2.42	1.00	1.30	.69	.38	—	FD15-1000-02
—	1/4-18	2.56	1.00	1.30	.59	.38	—	FD15-1000-04
—	7/16-20	2.79	1.00	1.30	.69	.38	.56	FD12-1002-04
—	1/4-18	2.56	1.00	1.30	.69	.38	—	FD15-1026-04
—	7/16-20	2.79	1.00	1.30	.69	.38	.56	FD12-1025-04

# Accessories

## Differential Indicators

### DESIGN SPECIFICATIONS

<b>Material:</b>	PV/PE Series PHV/PHE Series	Aluminum Stainless Steel
<b>Fluid compatibility:</b>	Compatible with most petroleum oil, oil-in-water and water-in-oil fluids. Optional seals available for phosphate esters.	
<b>Installation Torque:</b>	PV/PE Series PHV/PHE Series	33 Nm (24 lbs-ft) 100 Nm (74 lbs-ft)
<b>Temp range:</b>	-26°C to +120°C (-15°F to +250°F)	
<b>Switch Rating (all models):</b>	3A@24VDC 5A@250VAC	
<b>Dry weight: (Approximate)</b>	PV PHV PE PHE	55g (0.1lbs) 110g (0.2lbs) 150g (0.3lbs) 250g (0.6lbs)
<b>Pressure rating:</b>	PV/PE Series PHV/PHE Series	210 bar (3000PSI) 420 bar (6000PSI)



### Indicator Model Code

#### 1 Indicator type and pressure rating

**PV** - visual 210 bar (3000psi)  
**PE** - electrical 210 bar (3000psi)  
**PHV** - visual 420 bar (6000psi)  
**PHE** - electrical 420 bar (6000psi)

#### 2 Pressure setting

**1B** - 1 bar (15psid)  
**2B** - 2 bar (30psid)  
**5B** - 5 bar (75psid)  
**8B** - 8 bar (115psid)

#### 3 Seal material

**V** - Viton-A

#### 4 Connector

**B** - Brad Harrison 5 Pin  
**H** - Hirschmann  
**N** - None (use with PV indicators)

#### 5 Light option

**L24** - 24 Volt Lamp  
**L115** - 115 Volt Lamp  
**L230** - 230 Volt Lamp

### INDICATOR OPTIONS (3000 PSI - USE WITH FILTER MODELS HV6R, HV3R)

Description	Model	Filter Assembly Code Letters
POPUP VISUAL 15 psi	PV 1B VN	KN
POPUP VISUAL 30 psi	PV 2B VN	LN
POPUP VISUAL 70 psi	PV 5B VN	AN
BRAD HARRISON 5 PIN ELECTRICAL 15 psi	PE 1B V B	QB
BRAD HARRISON 5 PIN ELECTRICAL 30 psi	PE 2B V B	RB
BRAD HARRISON 5 PIN ELECTRICAL 70 psi	PE 5B V B	UB
HIRSCHMANN ELECTRICAL 15 psi	PE 1B V H	QH
HIRSCHMANN ELECTRICAL 30 psi	PE 2B V H	RH
HIRSCHMANN ELECTRICAL 70 psi	PE 5B V H	UH
HIRSCHMANN VISUAL ELECTRICAL 15 psi - L24	PE 1B V H L24	QJ
HIRSCHMANN VISUAL ELECTRICAL 30 psi - L24	PE 2B V H L24	RJ
HIRSCHMANN VISUAL ELECTRICAL 70 psi - L24	PE 5B V H L24	UJ
HIRSCHMANN VISUAL ELECTRICAL 15 psi - L115	PE 1B V H L115	QK
HIRSCHMANN VISUAL ELECTRICAL 30 psi - L115	PE 2B V H L115	RK
HIRSCHMANN VISUAL ELECTRICAL 70 psi - L115	PE 5B V H L115	UK
HIRSCHMANN VISUAL ELECTRICAL 15 psi - L230	PE 1B V H L230	QL
HIRSCHMANN VISUAL ELECTRICAL 30 psi - L230	PE 2B V H L230	RL
HIRSCHMANN VISUAL ELECTRICAL 70 psi - L230	PE 5B V H L230	UL

# Accessories

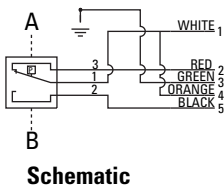
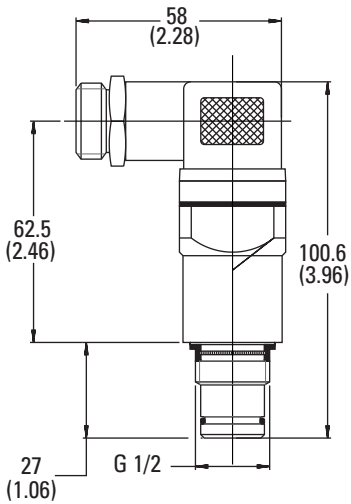
## Differential Indicators

### INDICATOR OPTIONS (6,000 PSI - USE WITH FILTER MODELS HF2P, HF3P, HF3PS, HF4, MF2P)

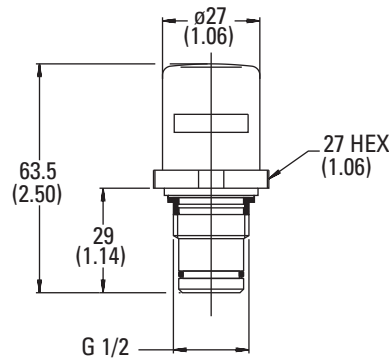
Description	Model	Filter Assembly Code Letters
Popup Visual 30psi	PHV 2B VN	LN
Popup Visual 70 Psi	PHV 5B VN	AN
Popup Visual 115 Psi	PHV 8B VN	ON
Brad Harrison 5 Pin Electrical 30 Psi	PHE 2B V B	RB
Brad Harrison 5 Pin Electrical 70 Psi	PHE 5B V B	UB
Brad Harrison 5 Pin Electrical 115 Psi	PHE 8B V B	TB
Hirschmann Electrical 30 Psi	PHE 2B V H	RH
Hirschmann Electrical 70 Psi	PHE 5B V H	UH
Hirschmann Electrical 115 Psi	PHE 8B V H	TH
Hirschmann Visual Electrical 30 Psi - L24	PHE 2B V H L24	RJ
Hirschmann Visual Electrical 70 Psi - L24	PHE 5B V H L24	UJ
Hirschmann Visual Electrical 115 Psi - L24	PHE 8B V H L24	TJ
Hirschmann Visual Electrical 30 Psi - L115	PHE 2B V H L115	RK
Hirschmann Visual Electrical 70 Psi - L115	PHE 5B V H L115	UK
Hirschmann Visual Electrical 115 Psi - L115	PHE 8B V H L115	TK
Hirschmann Visual Electrical 30 Psi - L230	PHE 2B V H L230	RL
Hirschmann Visual Electrical 70 Psi - L230	PHE 5B V H L230	UL
Hirschmann Visual Electrical 115 Psi - L230	PHE 8B V H L230	TL
Indicator Plug	3040056	—

### Differential Indicator Dimensional Schematics

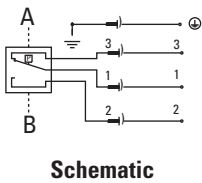
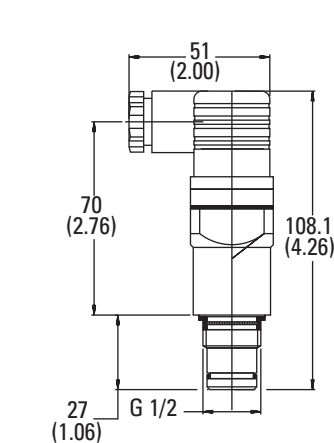
PE \* B V B  
PHE \* B V B



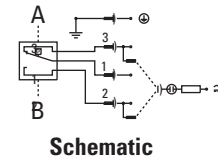
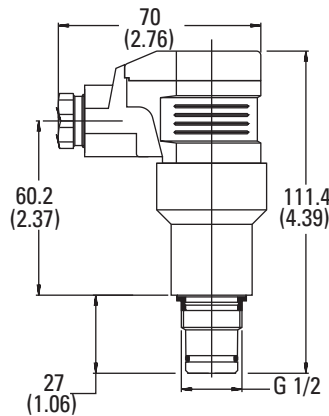
PV \* B VN



PE \* B V H  
PHE \* B V H

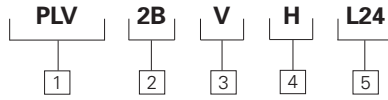


PE \* B V H L \*\*  
PHE \* B V H L \*\*



# Accessories

## Static Indicators



### Indicator Model Code

#### 1 Indicator type and pressure rating

PLV - Visual  
 PLE - Electrical  
 SLV - Visual  
 SLE - Electrical

#### 2 Pressure setting

1B - 1 bar (15psid)  
 2B - 2 bar (30psid)  
 5B - 5 bar (75psid)  
 1.4B - 1.4 bar (20psid)

#### 3 Seal Material

V - Viton-A

#### 4 Connector

B - Brad Harrison 5 Pin  
 N - Hirschmann  
 H - None

#### 5 Light Options

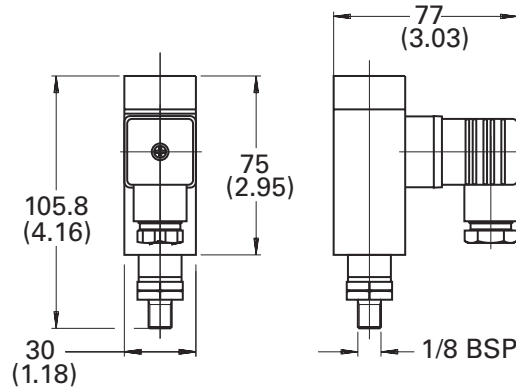
L24 - 24 Volt Lamp  
 L115 - 115 Volt Lamp  
 L230 - 230 Volt Lamp  
 N - None

INDICATORS FOR ORFM SERIES LENGTH 1-4 & HF4RT SERIES		EATON MODEL CODE	INDICATORS FOR ORFM SERIES-LENGTH 5-7; ORF1300 SERIES & DRT SERIES	EATON MODEL CODE
KN	Visual, 15 PSI, No connector	PLV 1B V N N	Visual, 15 PSI, No connector	SLV 1B V N N
MH	Electrical, 15 PSI, Hirschmann	PLE 1B V H N	Electrical, 15 PSI, Hirschmann	SLE 1B V H N
MB	Electrical, 15 PSI, Brad Harrison	PLE 1B V B N	Electrical, 15 PSI, Brad Harrison	SLE 1B V B N
MJ	Electrical, 15 PSI, Hirschmann w 24 Volt light	PLE 1B V H L24	Electrical, 15 PSI, Hirschmann w 24 Volt light	SLE 1B V H L24
MK	Electrical, 15 PSI, Hirschmann w 115 Volt light	PLE 1B V H L115	Electrical, 15 PSI, Hirschmann w 115 Volt light	SLE 1B V H L115
ML	Electrical, 15 PSI, Hirschmann w 230 Volt light	PLE 1B V H L230	Electrical, 15 PSI, Hirschmann w 230 Volt light	SLE 1B V H L230
LN	Visual, 30 PSI, No connector	PLV 2B V N N	Visual, 30 PSI, No connector	SLV 2B V N N
RH	Visual, 30 PSI, Hirschmann	PLE 2B V H N	Visual, 30 PSI, Hirschmann	SLE 2B V H N
RB	Electrical, 30 PSI, Brad Harrison	PLE 2B V B N	Electrical, 30 PSI, Brad Harrison	SLE 2B V B N
RJ	Electrical, 30 PSI, Hirschmann w 24 Volt light	PLE 2B V H L24	Electrical, 30 PSI, Hirschmann w 24 Volt light	SLE 2B V H L24
RK	Electrical, 30 PSI, Hirschmann w 115 Volt light	PLE 2B V H L115	Electrical, 30 PSI, Hirschmann w 115 Volt light	SLE 2B V H L115
RL	Electrical, 30 PSI, Hirschmann w 230 Volt light	PLE 2B V H L230	Electrical, 30 PSI, Hirschmann w 230 Volt light	SLE 2B V H L230
AN	Visual, 70 PSI, No connector	PLV 5B V N N	Visual, 70 PSI, No connector	SLV 5B V N N
UH	Electrical, 70 PSI, Hirschmann	PLE 5B V H N	Electrical, 70 PSI, Hirschmann	SLE 5B V H N
UB	Electrical, 70 PSI, Brad Harrison	PLE 5B V B N	Electrical, 70 PSI, Brad Harrison	SLE 5B V B N
UJ	Electrical, 70 PSI, Hirschmann w 24 Volt light	PLE 5B V H L24	Electrical, 70 PSI, Hirschmann w 24 Volt light	SLE 5B V H L24
UK	Electrical, 70 PSI, Hirschmann w 115 Volt light	PLE 5B V H L115	Electrical, 70 PSI, Hirschmann w 115 Volt light	SLE 5B V H L115
UL	Electrical, 70 PSI, Hirschmann w 230 Volt light	PLE 5B V H L230	Electrical, 70 PSI, Hirschmann w 230 Volt light	SLE 5B V H L230

# Accessories

## Electrical Pressure Switch

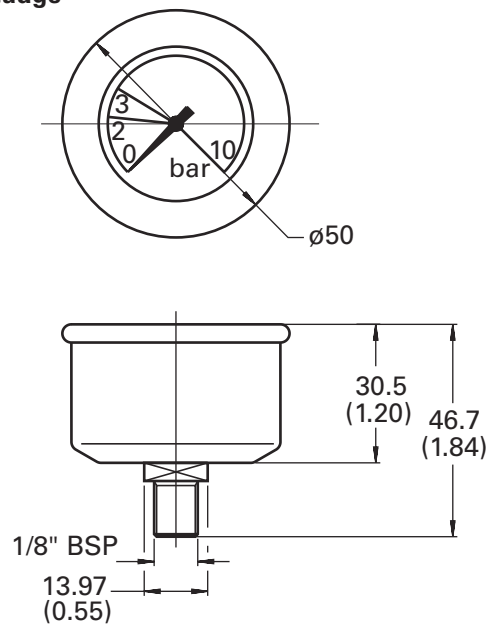
## Hirschmann Connector



HOUSING	PART NUMBER
DRT	3039708 Electrical Switch 30 psi Hirschmann Connector

## Gauge

## 0-10 Bar Gauge



HOUSING	PART NUMBER
DRT	3039703 Gauge 0 - 10 Bar

**Note:** Gauges indicate pressure in both bar and psi

# Accessories

## Indicator Switch

### Schematic Wiring Diagram

Note: The female connector is to be furnished by the customer.

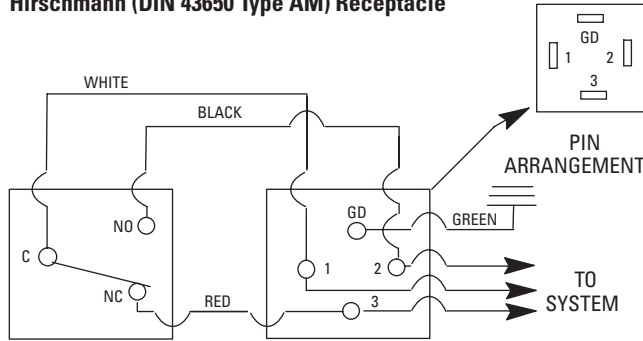
Note: When fitting indicator, torque to 41-47 Nm.

#### ELECTRICAL

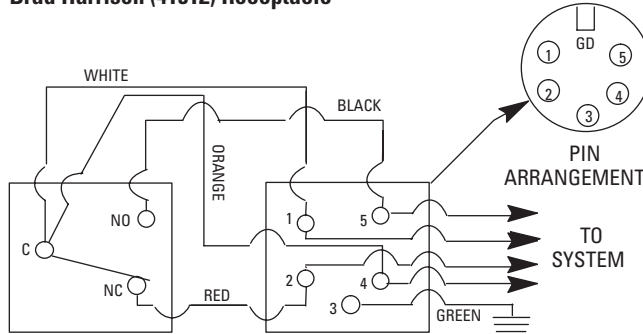
**Switch:** SPDT

**Rating:** 7 amps, resistive  
4 amps, inductive  
2 amps, lamp load  
@28 VDC, 115 VAC 60 Hz  
& 220 VAC 50 Hz or 60 Hz

### Hirschmann (DIN 43650 Type AM) Receptacle



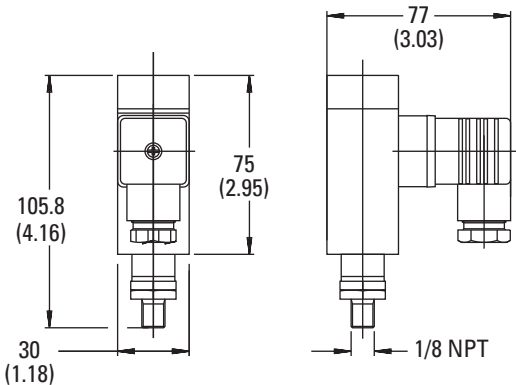
### Brad Harrison (41512) Receptacle



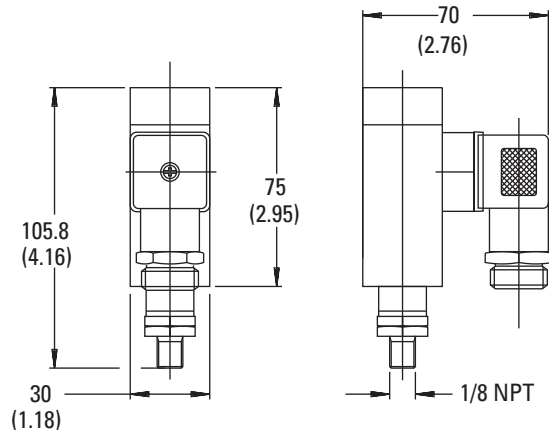
## Electrical Pressure Switch

HOUSING	PART NUMBER
HF4RT	3039705 Electrical Switch 15 psi Brad Harrison Connector 3039707 Electrical Switch 15 psi Hirshmann Connector
HF4RT	3039706 Electrical Switch 30 psi Brad Harrison Connector 3039708 Electrical Switch 30 psi Hirshmann Connector

### Hirshmann Connector



### Brad Harrison Connector





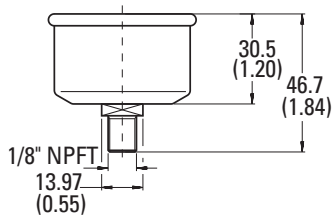
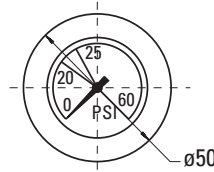
# Accessories

## Gauge

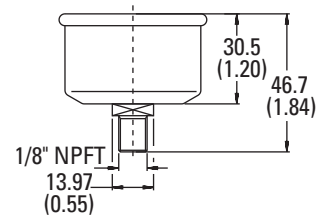
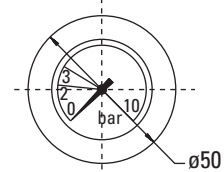
HOUSING	PART NUMBER
HF4RT	3039703 Gauge 0-160 psi (use with 43 psi Bypass Valve)
	3039704 Gauge 0-60 psi (use with 25 psi Bypass Valve)

Note: Gauges indicate pressure in both bar and psi

0-4 Bar (0-60 PSI) Gauge



0-10 Bar (0-160 PSI) Gauge

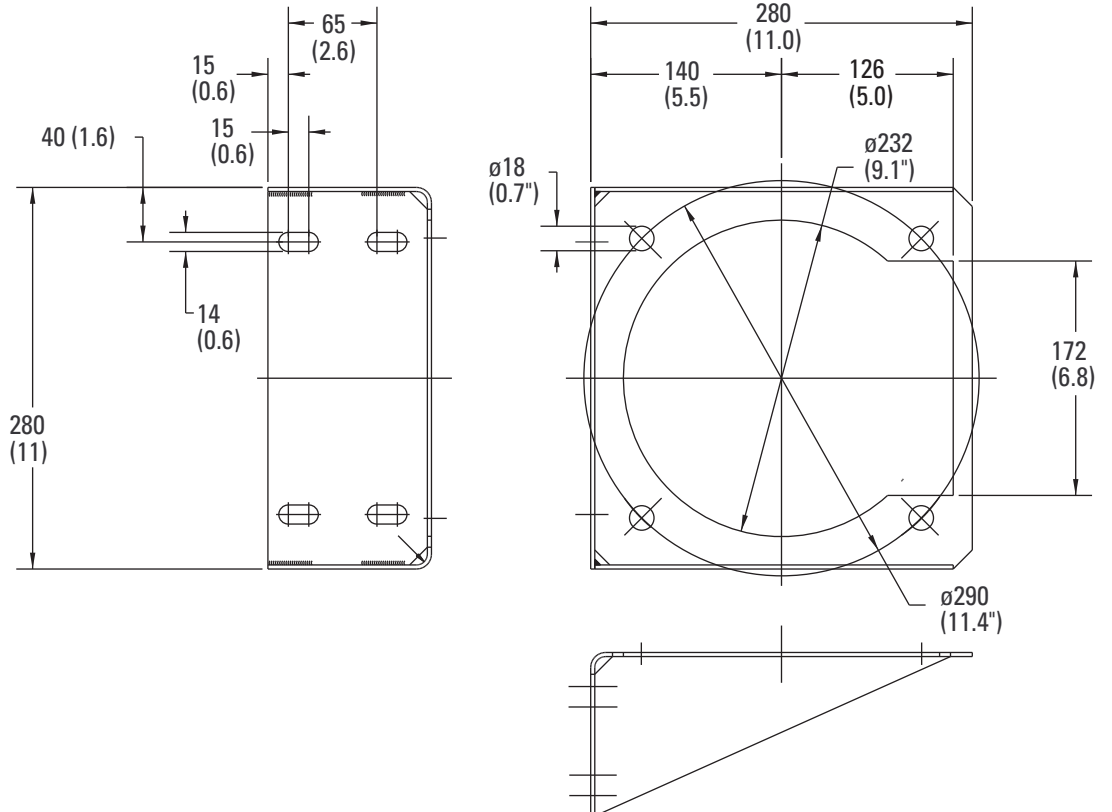


## Mounting Bracket

### HV6R Housing

mm (inch)

Order part number 3039702

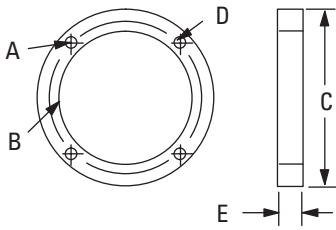


# Accessories

## Gauge

### Weld Flange for HF4RT

Order part number P-232964-1



#### DIMENSIONS

Housing	A	B	C	D	E
		ø	diameter	length	
HL 15, HL 16 P-232964-01	7/16 - 20 UNF thru (4) on 6.25 dia. BC equally spaced	127,0 (5.00)	181,0 (7.12)	7/16 - 20 UNF x 0.75 Recommended bolts	12,7 (0.50)

#### Seal Kits

##### Note

Seal kits include all soft goods to fully service a unit.

SERIES	SEAL TYPE	SEAL KIT PART #
HV6R	Buna-N	3039688
	Viton-A*	3039689
HV3R	Buna-N	3039690
	Viton-A	3039691
HF4RT	Buna-N	3039692
	Viton-A	3039693
HF2P	Buna-N	3039694
	Viton-A	3039695
HF3P	Buna-N	3039696
	Viton-A	3039697
HF3PS	Buna-N	3039698
	Viton-A	3039699
HF4P	Buna-N	3039700
	Viton-A	3039701
OFR60/ 120	Buna-N	590021
	Viton-A	591761 (Bowl seal only)
OFR15/ 30	Buna-N	226214
	Viton-A	262422 (Bowl seal only)

\* Viton is a registered trademark of E.I. Dupont

**Eaton**  
Hydraulics Operations USA  
14615 Lone Oak Road  
Eden Prairie, MN 55344  
USA  
Tel: 952-937-9800  
Fax: 952-294-7722  
[www.hydraulics.eaton.com](http://www.hydraulics.eaton.com)

**Eaton**  
Hydraulics Operations Europe  
Route de la Longeraie 7  
1110 Morges  
Switzerland  
Tel: +41 (0) 21 811 4600  
Fax: +41 (0) 21 811 4601

**Eaton**  
Hydraulics Operations Asia Pacific  
11th Floor Hong Kong New World Tower  
300 Huaihai Zhong Road  
Shanghai 200021  
China  
Tel: 86-21-6387-9988  
Fax: 86-21-6335-3912



© 2007 Eaton Corporation  
All Rights Reserved  
Printed in USA  
Document No. V-FIFI-MC002-E2  
Supersedes V-FIFI-MC001-E  
November 2007

**EATON**

**Vickers**

**Filtration Master Catalog**  
Technical Catalog