

Steering Wheel

Technical Data Sheet

Single Spoke Wheel:

- Small Mowers
- Utility Vehicles

Diameters: 10", 12", 13"



DESCRIPTION	HUB	PART NUMBER
10" Single Spoke	CL	209-1008-001
12" Single Spoke	CL	209-1009-001
13" Single Spoke	CL	209-1010-001

Thin Three Spoke Wheel:

- Lift Trucks
- Medium Utility Vehicles
- Compact Tractors
- Medium Tractors
- Construction Small Mowers
- Utility Vehicles

Diameters: 13", 14", 15"



DESCRIPTION	HUB	PART NUMBER
13" Thin Three Spoke	AJ	209-1016-001
	DN	209-1015-001
14" Thin Three Spoke	AJ	209-1012-001
	DN	209-1011-001
15" Thin Three Spoke	AJ	209-1014-001
	DN	209-1013-001

Medium Three Spoke Wheel:

- Large Mowers

Diameters: 12", 14"



DESCRIPTION	HUB	PART NUMBER
12" Medium Three Spoke	CL	209-1017-001
14" Medium Three Spoke	CL	209-1018-001

Notched 3 Spoke Wheel:

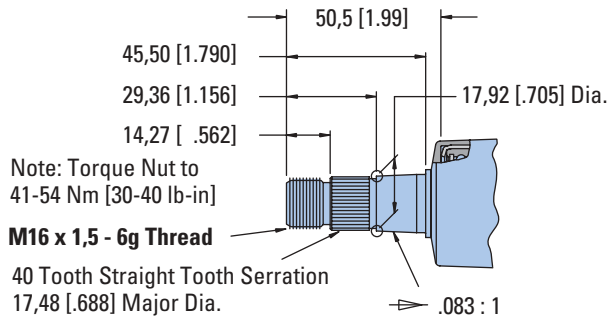
- Large Tractors
- Construction

Diameter: 16"

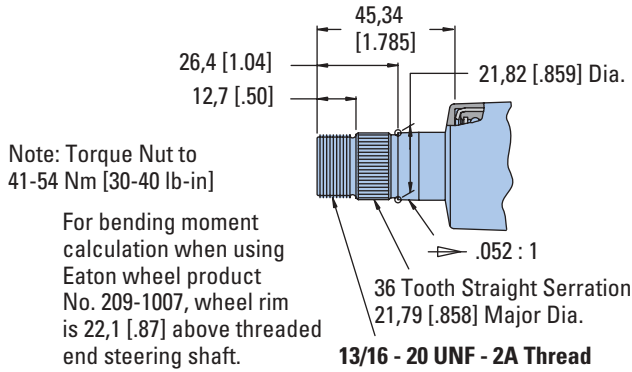


DESCRIPTION	HUB	PART NUMBER
16" Notched Three Spoke	AJ	209-1020-001
	DN	209-1019-001

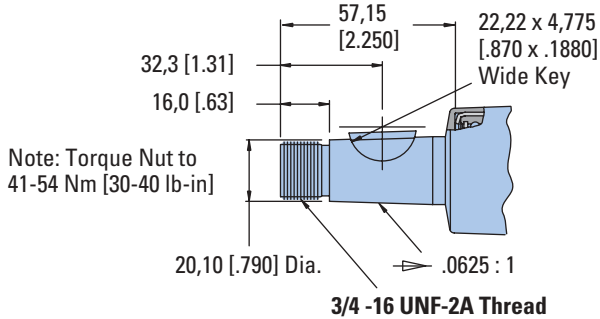
"CL" Wheel Hub



"AJ" Wheel Hub



"DN" Wheel Hub



Eaton
 14615 Lone Oak Road
 Eden Prairie, MN 55344
 USA
 Tel: 952 937-9800
 Fax: 952 974-7722
 www.hydraulics.eaton.com

Eaton
 20 Rosamond Road
 Footscray
 Victoria 3011
 Australia
 Tel: (61) 3 9319 8222
 Fax: (61) 3 9318 5714

Eaton
 Dr.-Reckweg-Str. 1
 D-76532 Baden-Baden,
 Germany
 Tel: +49 (0) 7221 682-0
 Fax: +49 (0) 7221 682-788

Char-Lynn®